



US00D859626S

(12) **United States Design Patent**
Hu

(10) **Patent No.:** **US D859,626 S**

(45) **Date of Patent:** **** Sep. 10, 2019**

(54) **AROMA DIFFUSER**

D810,261 S * 2/2018 Chen D23/366
D824,010 S * 7/2018 Lu D23/366
D825,731 S * 8/2018 Hou D23/366

(71) Applicant: **MPOW TECHNOLOGY CO., LIMITED**, Kowloon (HK)

(72) Inventor: **Zaihui Hu**, Kowloon (HK)

(73) Assignee: **MPOW TECHNOLOGY CO., LIMITED**, Kowloon, Hong Kong

(**) Term: **15 Years**

(21) Appl. No.: **29/629,120**

(22) Filed: **Dec. 11, 2017**

(51) **LOC (12) Cl.** **23-04**

(52) **U.S. Cl.**
USPC **D23/366**

(58) **Field of Classification Search**
USPC D23/314, 325, 333–336, 355–367,
D23/386–388; D11/143–155, 164;
D9/504, 529, 552, 558, 689; D26/9
CPC . A61L 9/03; A61L 9/012; A61L 9/015; A61L
9/037
See application file for complete search history.

(56) **References Cited**

U.S. PATENT DOCUMENTS

D696,555 S * 12/2013 Kolano D7/590
D698,910 S * 2/2014 Lin D23/366
D729,917 S * 5/2015 Seo D23/356
D743,527 S * 11/2015 Wang D23/411
D771,785 S * 11/2016 Huang D23/366

OTHER PUBLICATIONS

Syntus Essential Oil Diffuser found online [Nov. 19, 2018]—https://www.amazon.com/Syntus-Essential-Aromatherapy-Ultrasonic-Diffusers/dp/B07286WJ2M/ref=sr_1_220_s_it?s=beauty&ie=UTF8&qid=1542657731&sr=1-220&keywords=aroma+diffuser.*

* cited by examiner

Primary Examiner — Lakiya G Rogers

Assistant Examiner — John A Voytek

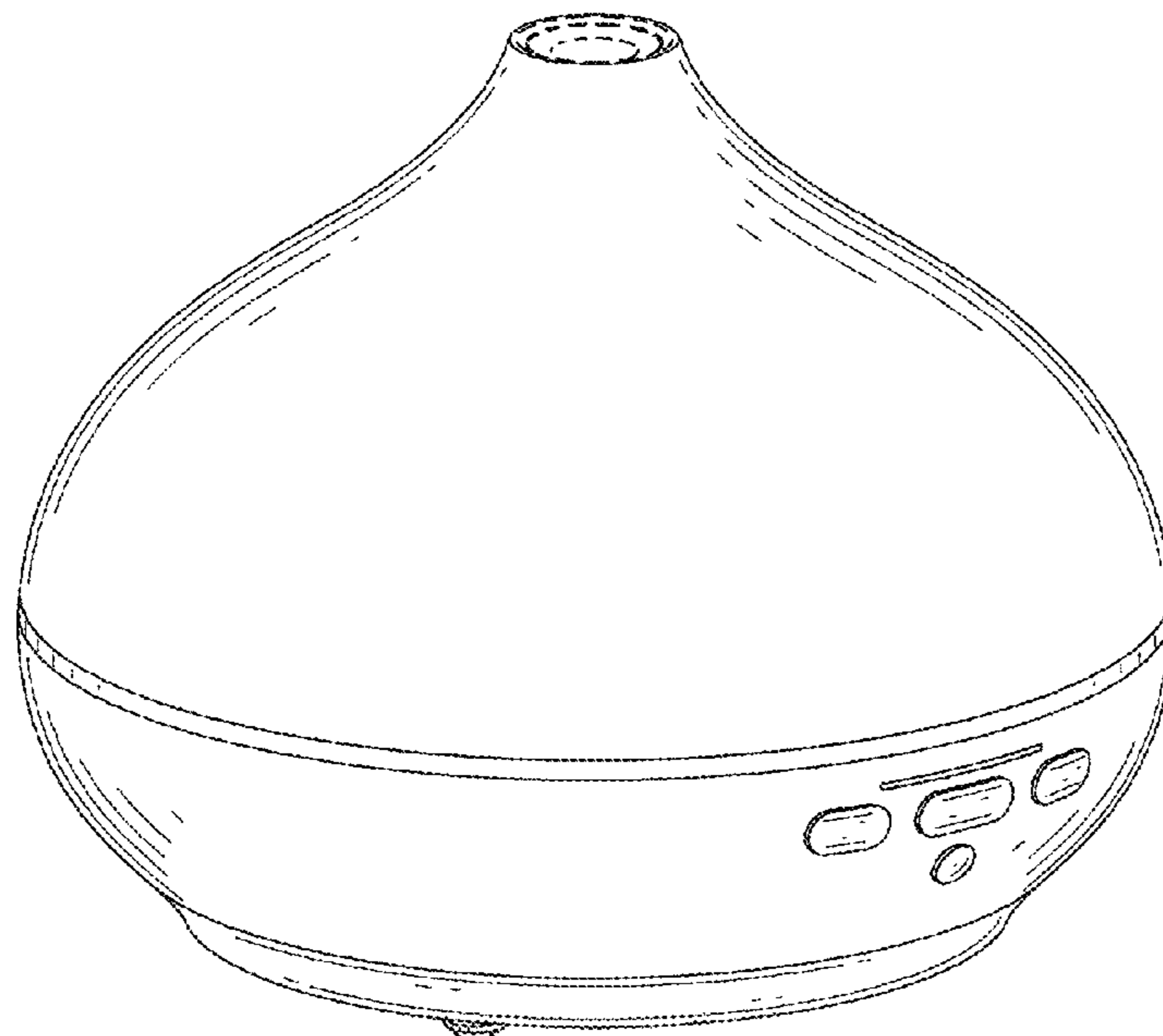
(57) **CLAIM**

The ornamental design for an aroma diffuser, as shown and described.

DESCRIPTION

FIG. 1 is a first perspective view of an aroma diffuser showing my new design;
FIG. 2 is a second perspective view thereof;
FIG. 3 is a front elevational view thereof;
FIG. 4 is a rear elevational view thereof;
FIG. 5 is a left side view thereof;
FIG. 6 is a right side view thereof;
FIG. 7 is a top plan view thereof; and,
FIG. 8 is a bottom plan view thereof.
The broken lines are for the purpose of depicting portions of the aroma diffuser that form no part of the claim.

1 Claim, 8 Drawing Sheets



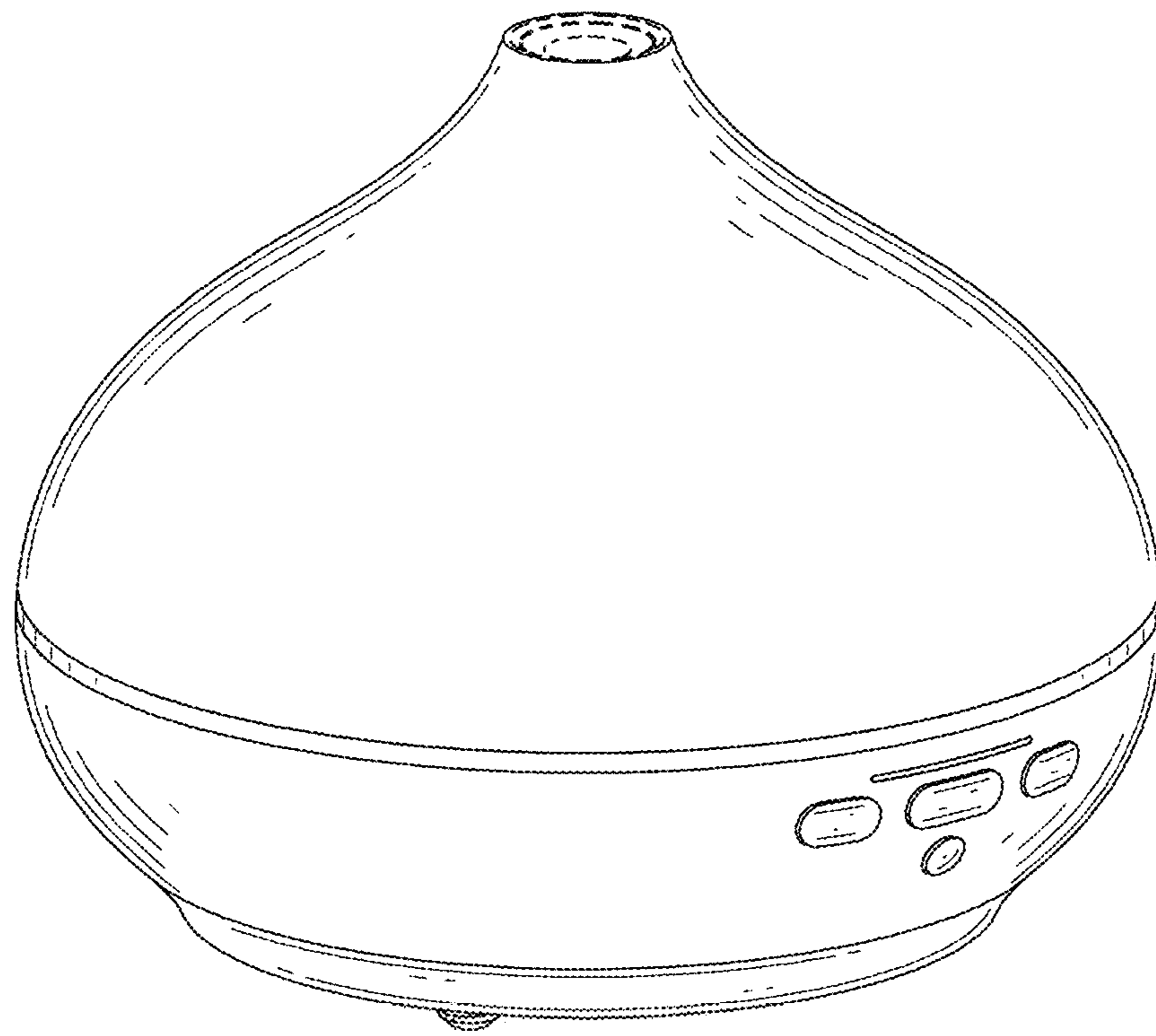


FIG. 1

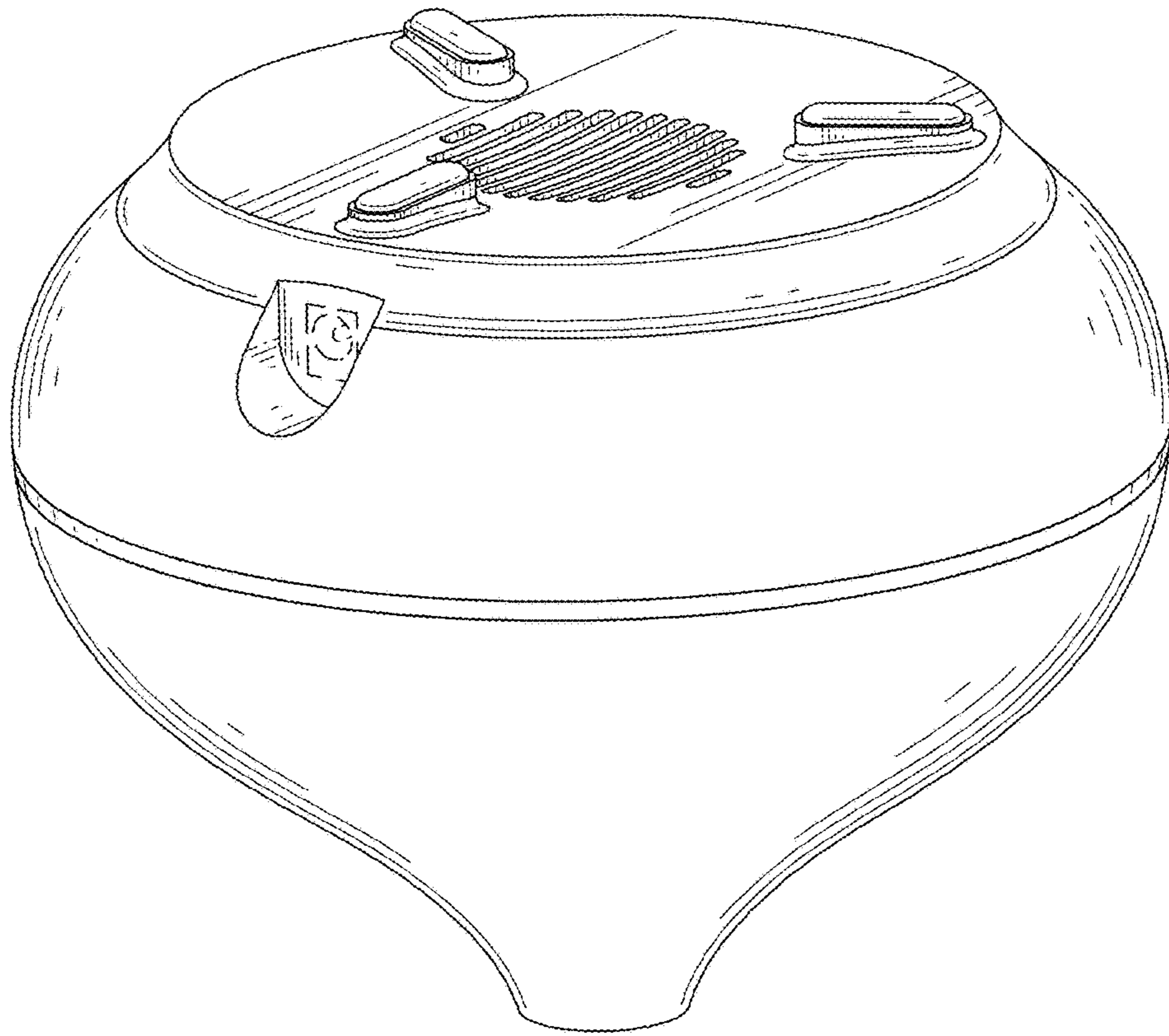


FIG. 2

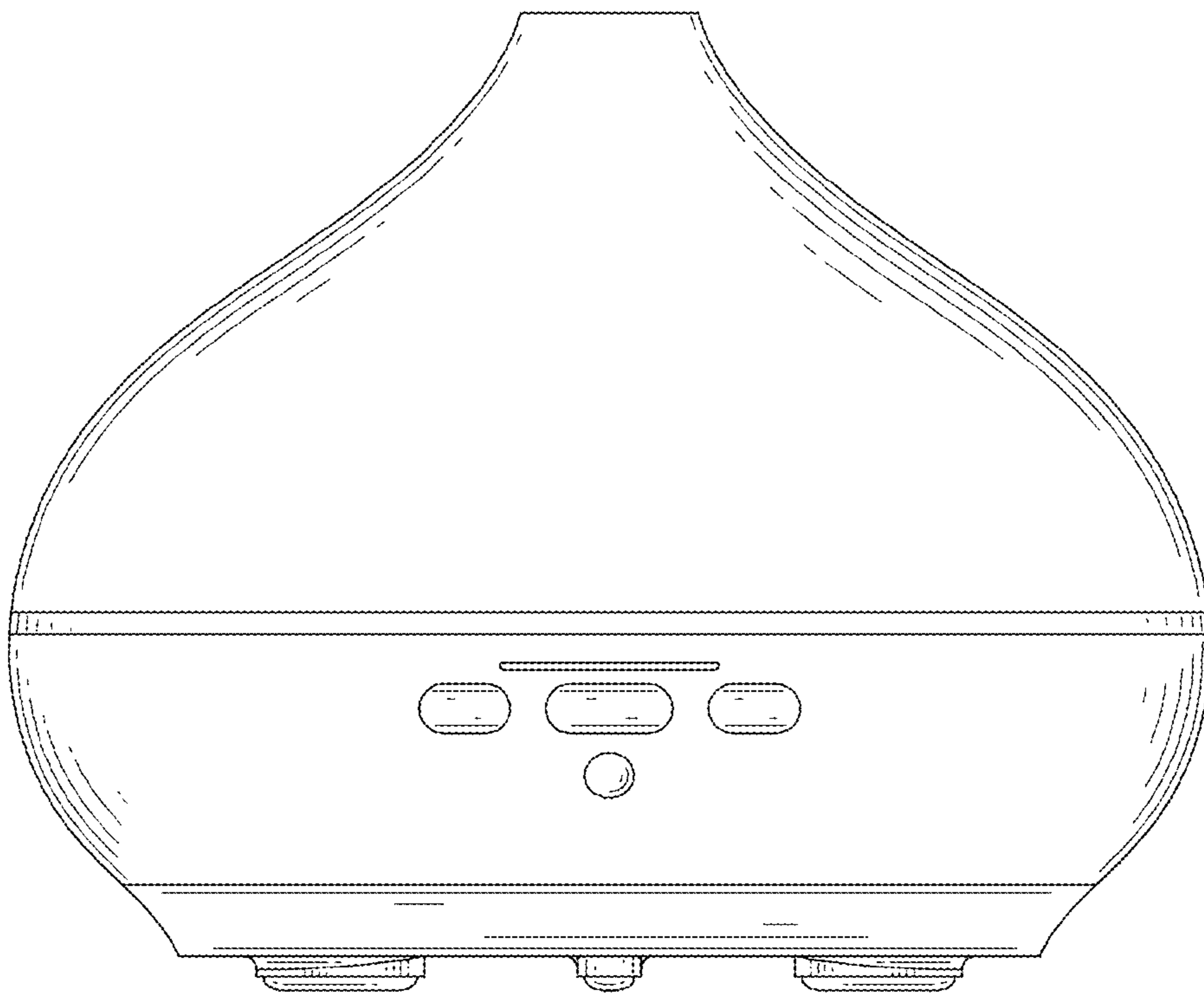


FIG. 3

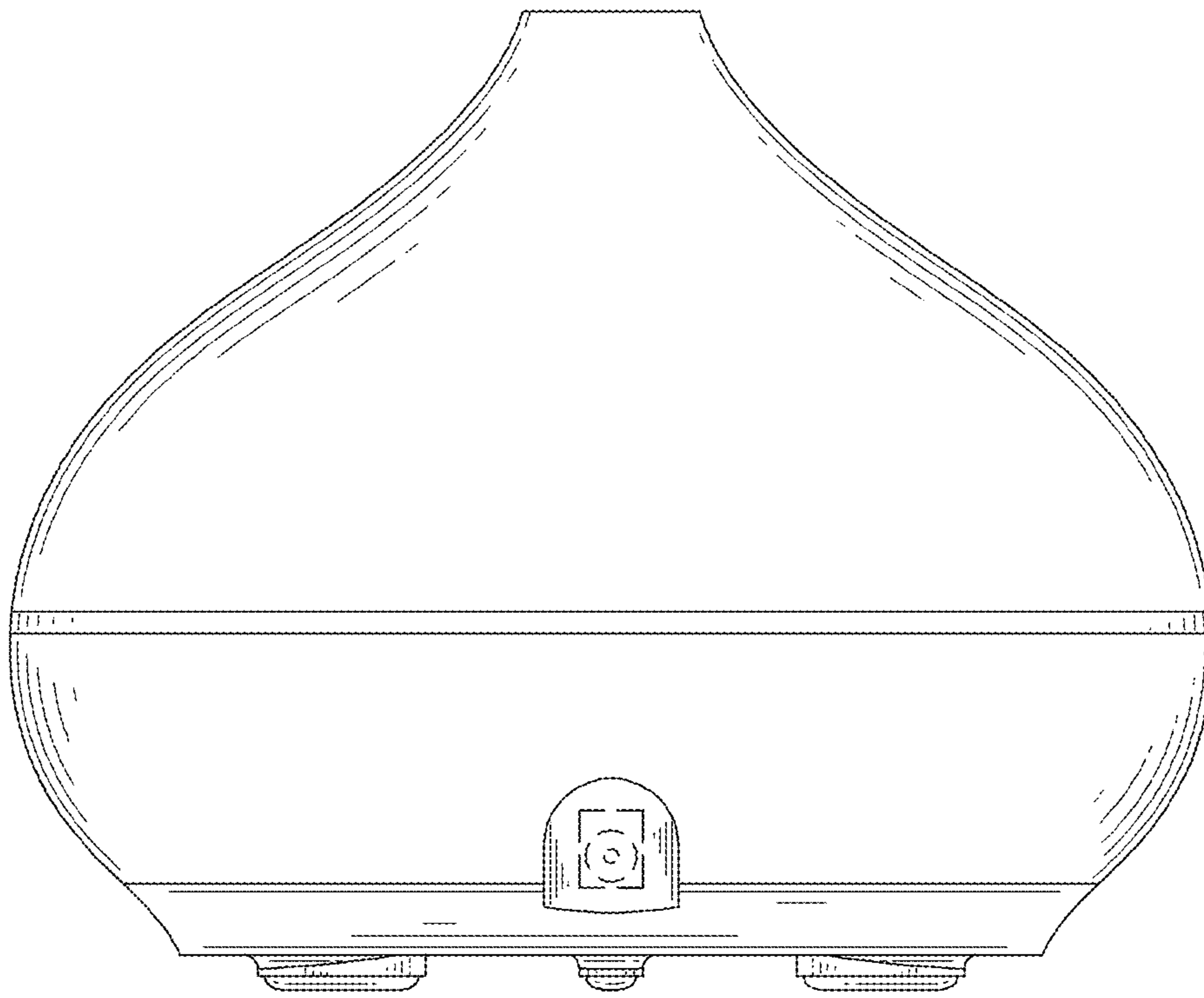


FIG. 4

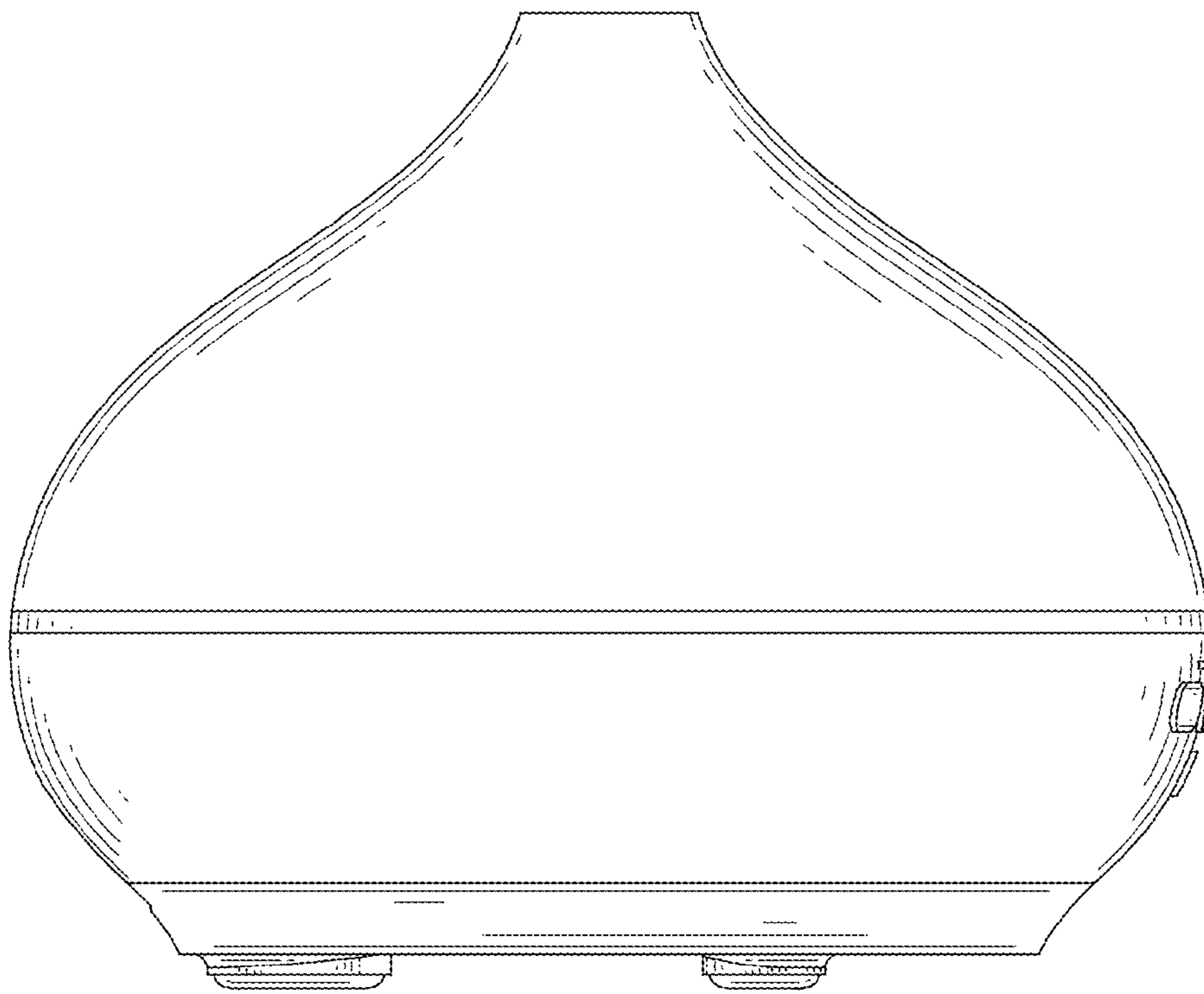


FIG. 5

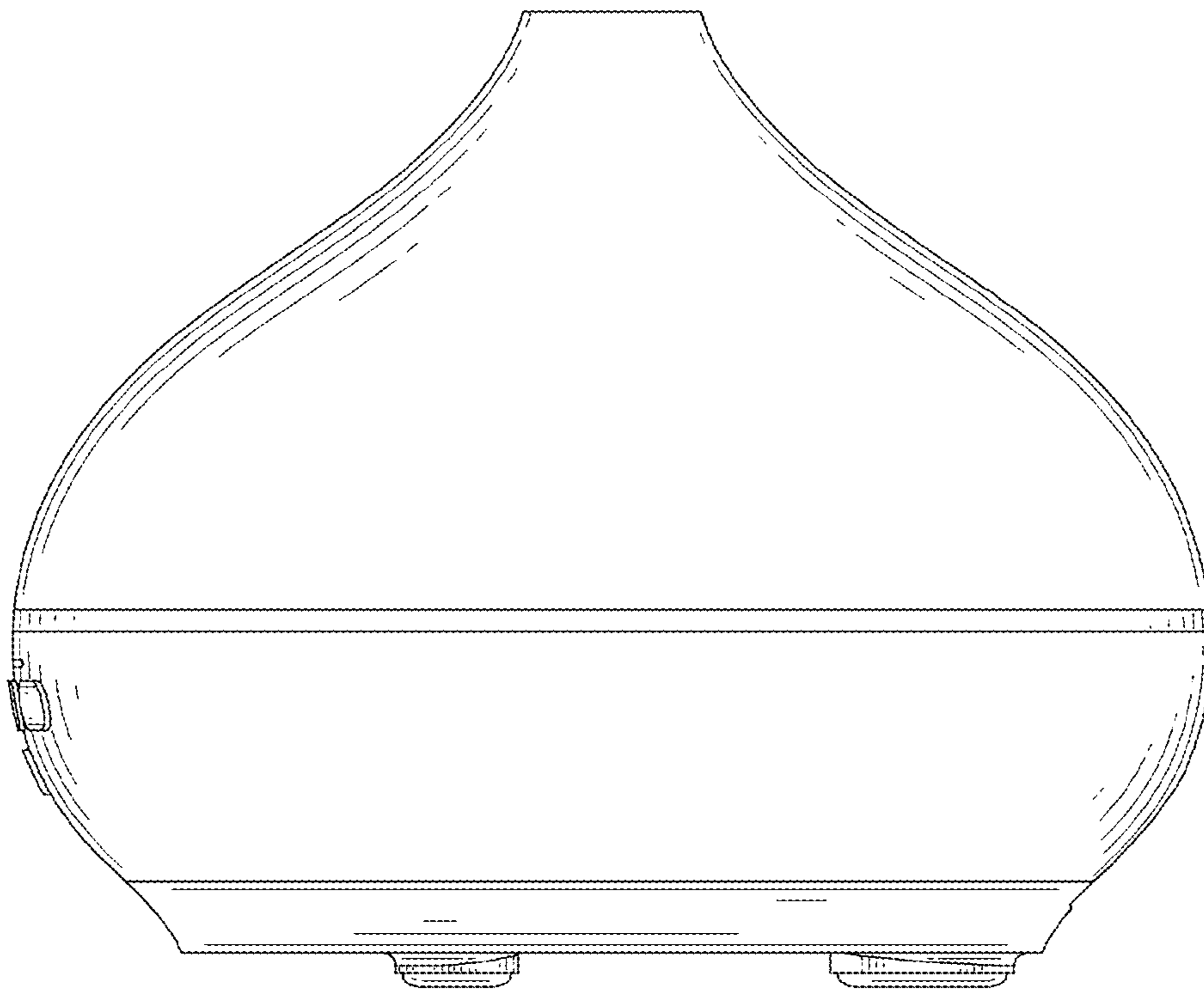


FIG. 6

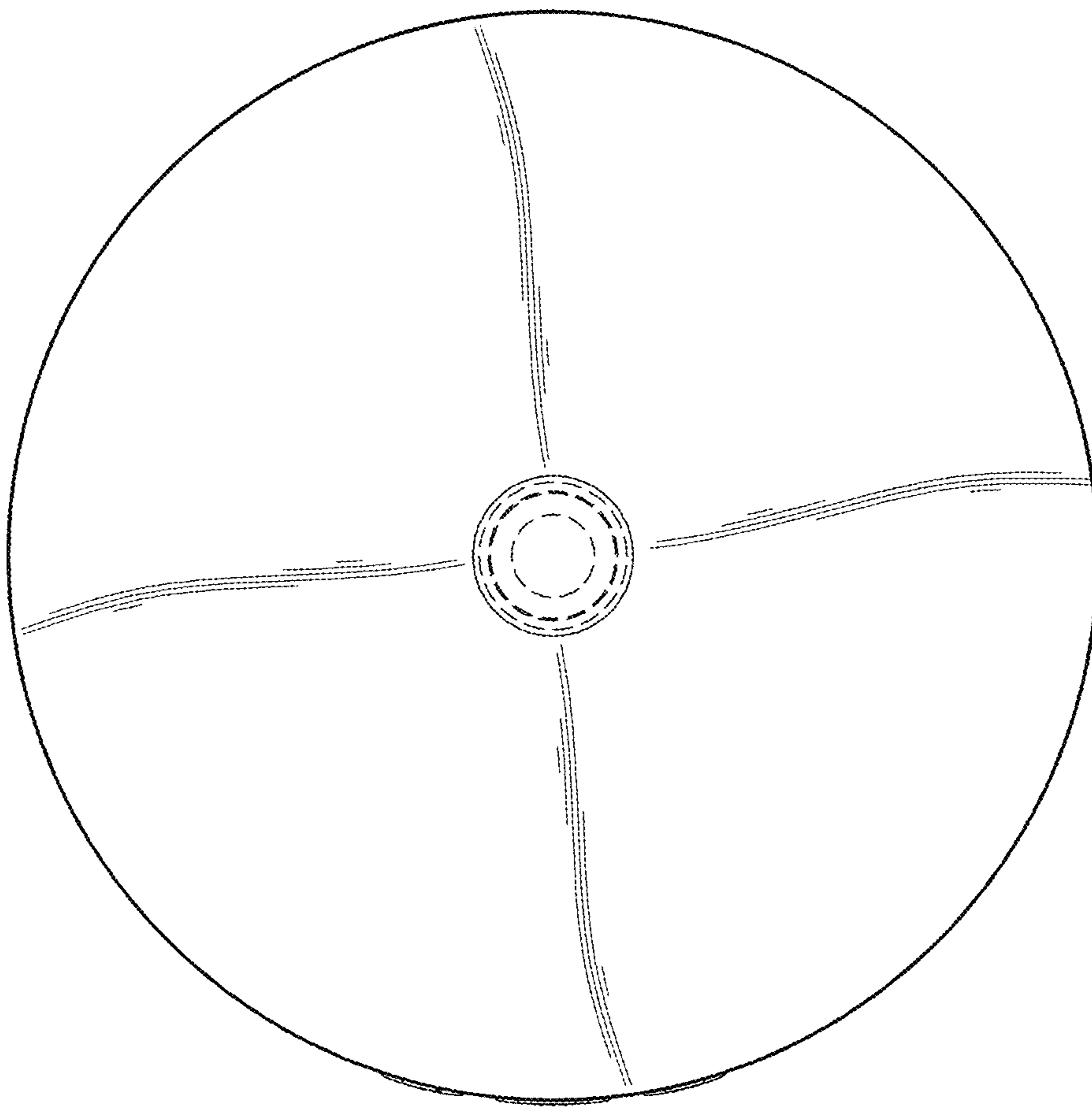


FIG. 7

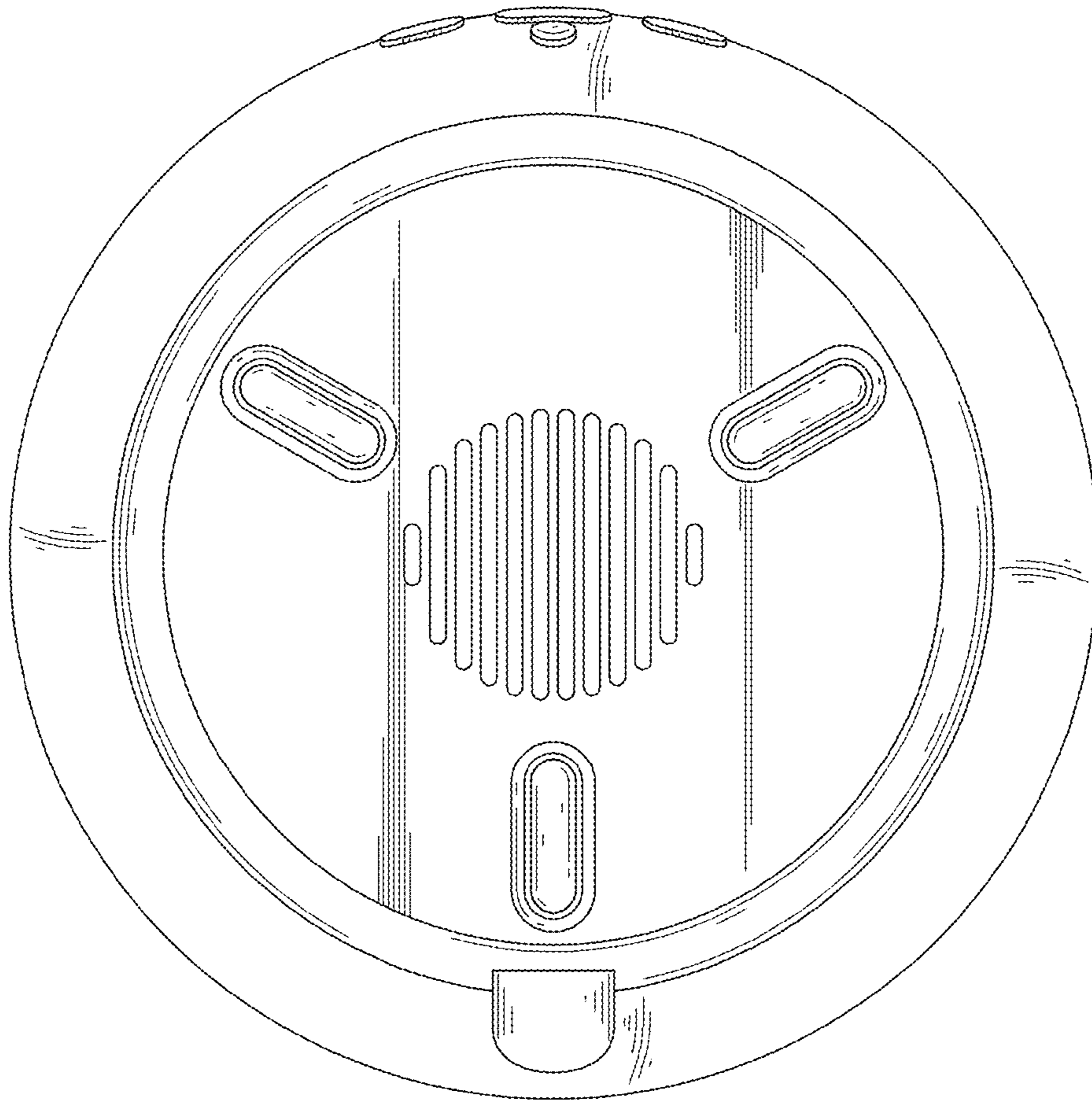


FIG. 8