



US00D859624S

(12) **United States Design Patent** (10) **Patent No.:** **US D859,624 S**
Hyon et al. (45) **Date of Patent:** **** Sep. 10, 2019**

(54) **HUMIDIFYING FILTER FOR AIR PURIFIER**

(56) **References Cited**

(71) Applicant: **LG ELECTRONICS INC.**, Seoul (KR)

U.S. PATENT DOCUMENTS

(72) Inventors: **Chinsoo Hyon**, Seoul (KR); **Seungho Baek**, Seoul (KR); **Yunseo Jang**, Seoul (KR); **Jaeyeong Jo**, Seoul (KR)

D256,943 S *	9/1980	Angelinetta	D23/209
D274,462 S *	6/1984	Rakocy	D23/365
D300,848 S *	4/1989	Baker	D23/365
D354,344 S *	1/1995	Fritz	D23/366
5,525,145 A *	6/1996	Hodge	B01D 46/001 96/17
5,651,188 A *	7/1997	Swanson	D06F 58/22 34/595
D383,881 S *	9/1997	Gudmundsson	D32/30
D389,284 S *	1/1998	Gudmundsson	D32/30
D390,747 S *	2/1998	Joergensen	D7/400
5,725,623 A *	3/1998	Bowerman	A47L 5/28 55/490
D394,901 S *	6/1998	Governale	D23/351
D402,356 S *	12/1998	Hodge	D23/365
D406,421 S *	3/1999	Bobrosky	D32/31
D425,270 S *	5/2000	Zahuranec	D32/30
D439,963 S *	4/2001	Gieseke	D23/365
D441,067 S *	4/2001	Flor	D23/365

(73) Assignee: **LG ELECTRONICS INC.**, Seoul (KR)

(**) Term: **15 Years**

(21) Appl. No.: **35/504,890**

(22) Filed: **Nov. 9, 2017**

(80) **Hague Agreement Data**

Int. Filing Date: **Nov. 9, 2017**

Int. Reg. No.: **DM/099368**

Int. Reg. Date: **Nov. 9, 2017**

Int. Reg. Pub. Date: **May 11, 2018**

Primary Examiner — Richard E Chilcot

(74) *Attorney, Agent, or Firm* — Birch, Stewart, Kolasch & Birch, LLP

(Continued)

(30) **Foreign Application Priority Data**

May 10, 2017 (KR) 30-2017-0020937

(51) **LOC (12) Cl.** **23-04**

(52) **U.S. Cl.**
USPC **D23/365**
CPC **A61L 9/00** (2013.01)

(58) **Field of Classification Search**
USPC D23/209, 210, 355–365
CPC A61L 9/00; A61L 9/02; A61L 9/03; A61L 9/034; A61L 9/04; A61L 9/12; A61L 9/032; A61L 9/122; A61L 9/127; A61L 9/22; B01D 46/00; B01D 46/0002; B01D 46/20; F02M 35/04; F24F 13/20; A62B 21/00

See application file for complete search history.

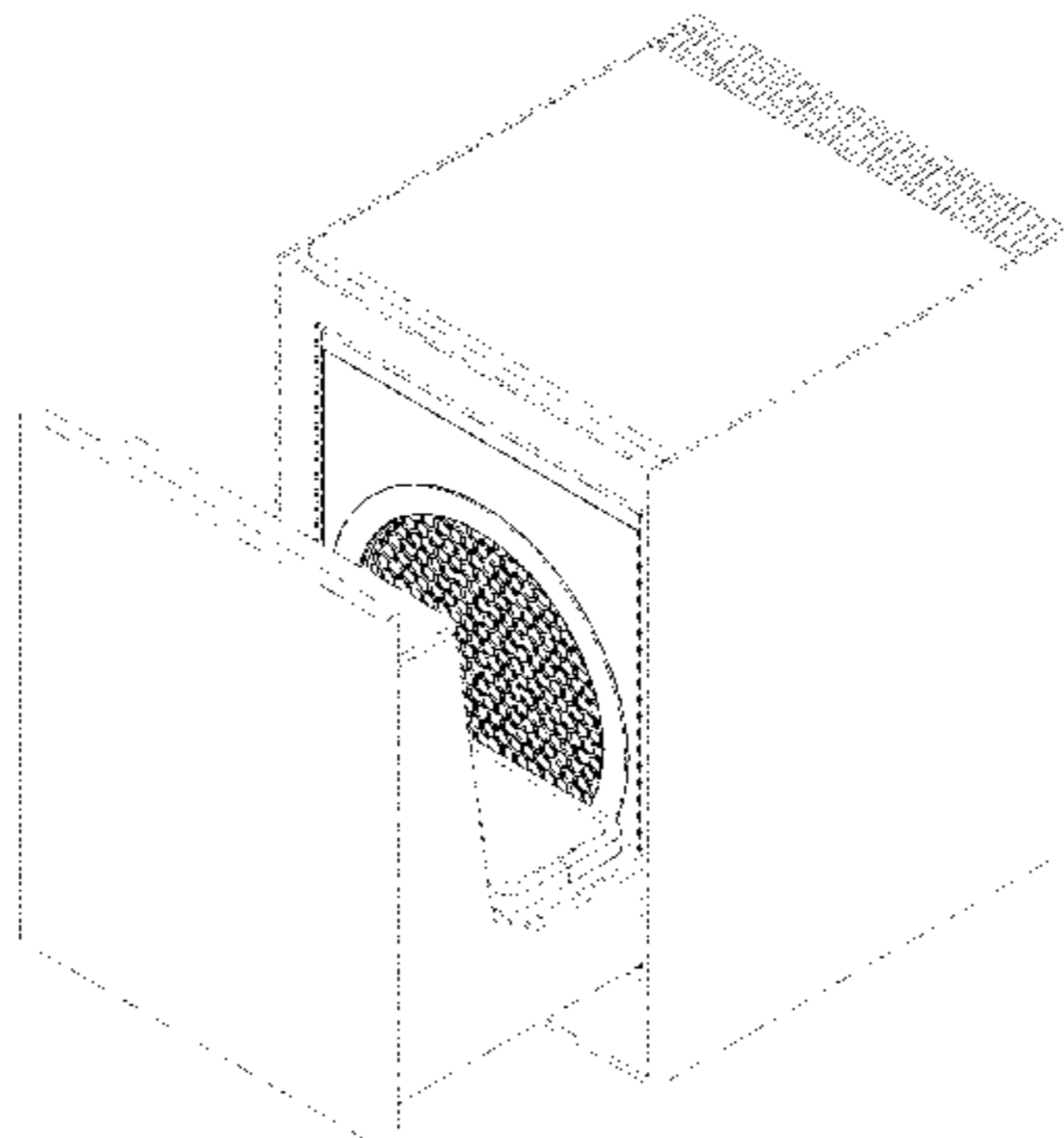
(57) **CLAIM**

The ornamental design for a humidifying filter for air purifier, as shown and described.

DESCRIPTION

1. Humidifying filter for air purifier
 - 1.1 : Perspective
 - 1.2 : Front
 - 1.3 : Back
 - 1.4 : Left
 - 1.5 : Right
 - 1.6 : Top
 - 1.7 : Bottom

(Continued)



1.8 : Exploded

1.9 : Reference

The broken line showing of an air purifier in Reproduction 1.9 is for the purpose of illustrating environmental structure of the humidifying filter for air purifier and forms no part of the claimed design.

1 Claim, 8 Drawing Sheets

(56)

References Cited

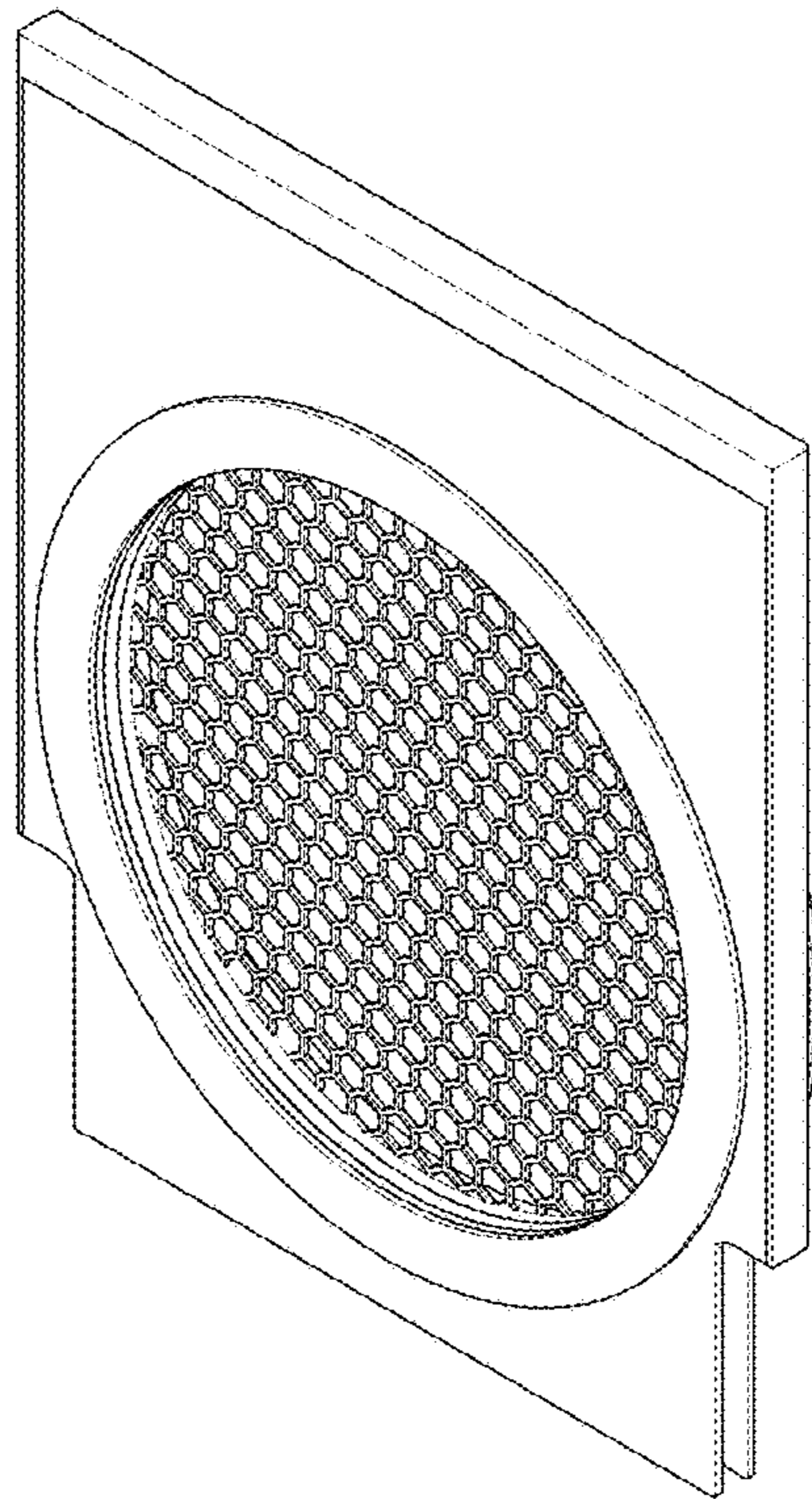
U.S. PATENT DOCUMENTS

D443,740 S * 6/2001 Stratford D32/30
 D445,974 S * 7/2001 Stratford D32/30
 D449,100 S * 10/2001 Sundet D23/365
 D472,683 S * 4/2003 Stratford D32/31
 D522,194 S * 5/2006 Mason D32/30
 7,070,641 B1 * 7/2006 Gunderson B01D 53/0415
 55/497
 D538,418 S * 3/2007 Pippel D23/209
 D544,949 S * 6/2007 Winters D23/365
 D548,826 S * 8/2007 Katta D23/364
 D605,274 S * 12/2009 Kawano D23/365
 D628,673 S * 12/2010 Dittmann D23/209
 D634,413 S * 3/2011 Wallace D23/354
 8,021,455 B2 * 9/2011 Adamek B01D 39/163
 55/486

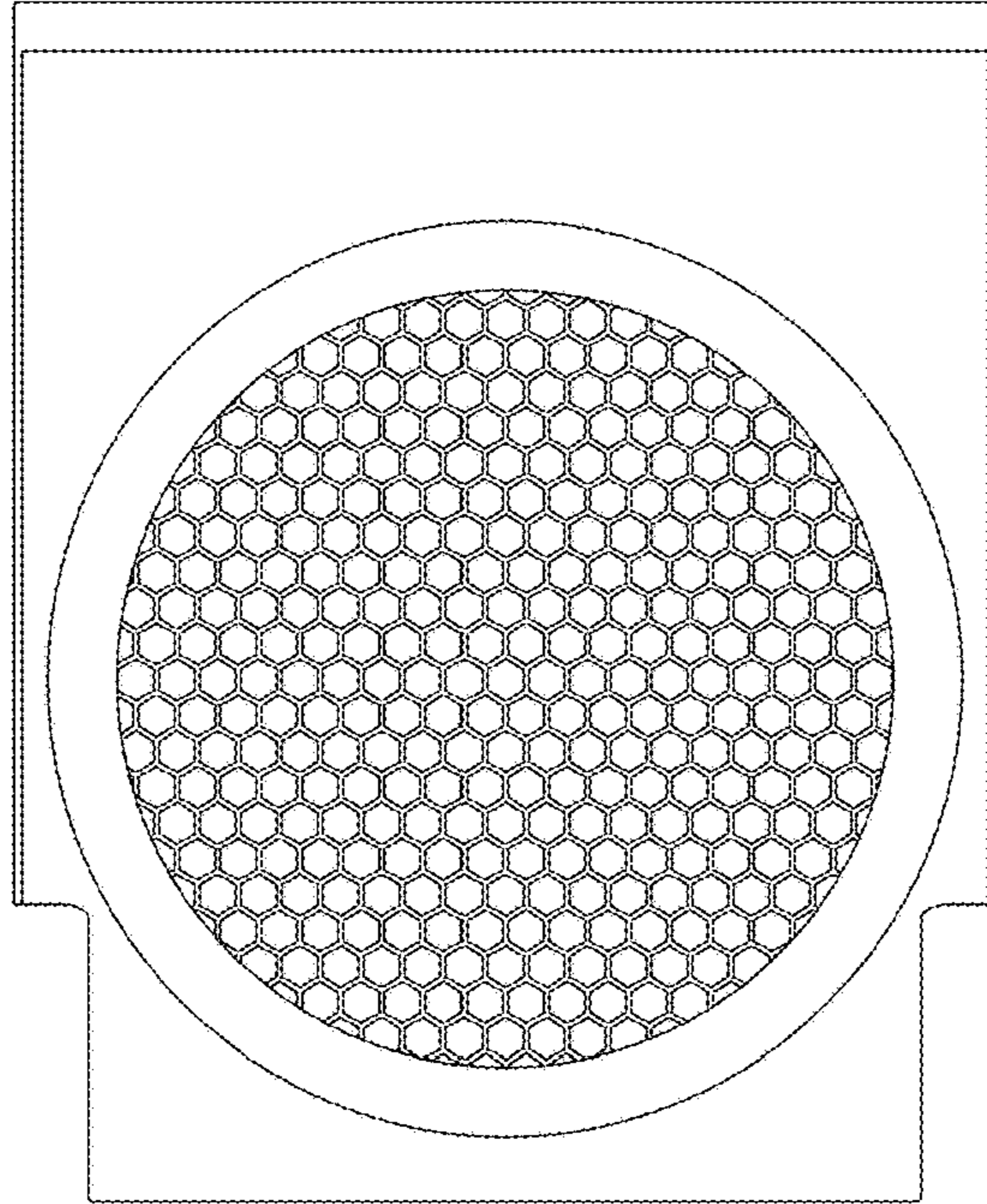
8,172,919 B1 * 5/2012 Ruiz B01D 46/0002
 55/315
 D683,008 S * 5/2013 Olchovy D23/366
 8,535,404 B2 * 9/2013 Crabtree B01D 39/1623
 55/385.6
 8,623,109 B2 * 1/2014 Anoszko B01D 46/0005
 55/497
 D726,296 S * 4/2015 Talbot D23/366
 D754,315 S * 4/2016 Morin D23/365
 D761,407 S * 7/2016 Spear D23/365
 D770,029 S * 10/2016 Guillemi D23/392
 D788,903 S * 6/2017 Kern D23/388
 D796,022 S * 8/2017 DeChristofaro D23/365
 D796,661 S * 9/2017 Oswald, Jr. D23/388
 D800,893 S * 10/2017 Krob, Jr. D23/386
 D804,005 S * 11/2017 Spear D23/365
 D804,644 S * 12/2017 Krob, Jr. D23/397
 D804,981 S * 12/2017 Pohl D11/7
 D806,847 S * 1/2018 Kim D23/364
 D810,908 S * 2/2018 Mork D23/365
 D824,009 S * 7/2018 Kim D23/365
 D829,316 S * 9/2018 Kim D23/365
 D829,317 S * 9/2018 Kim D23/365
 D836,762 S * 12/2018 Kim D23/365
 2006/0168925 A1 * 8/2006 Whittemore B01D 46/0005
 55/490
 2012/0151889 A1 * 6/2012 Horey B01D 46/009
 55/467

* cited by examiner

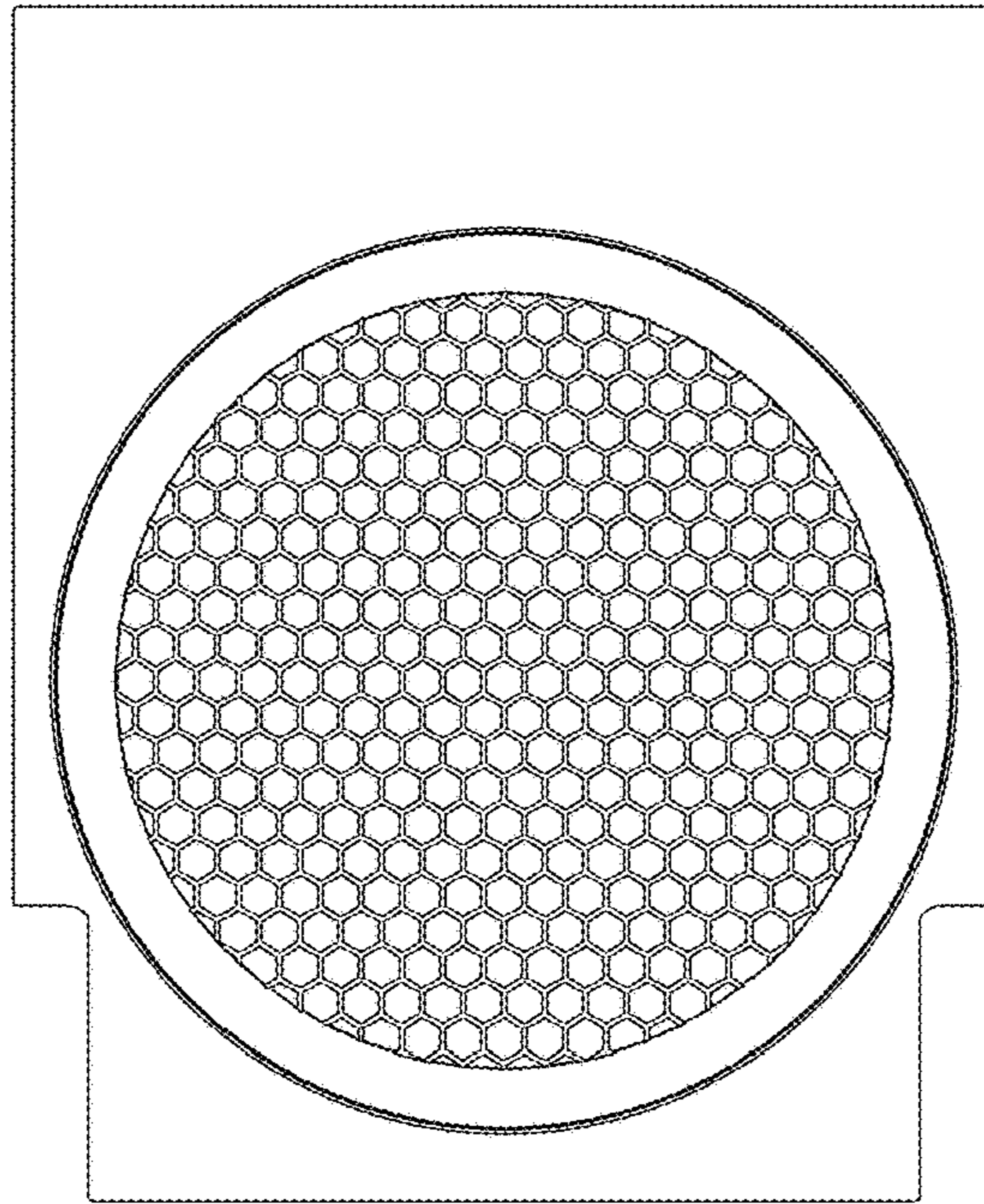
1.1



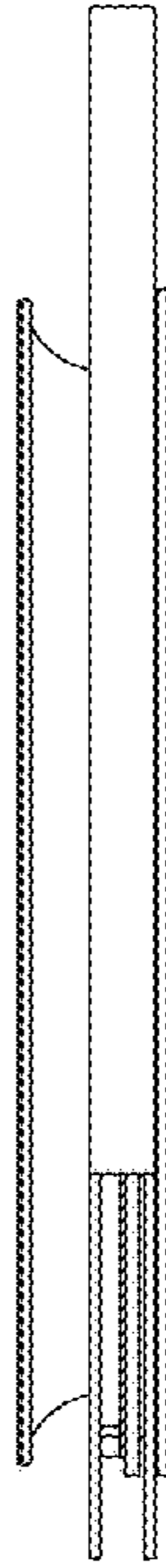
1.2



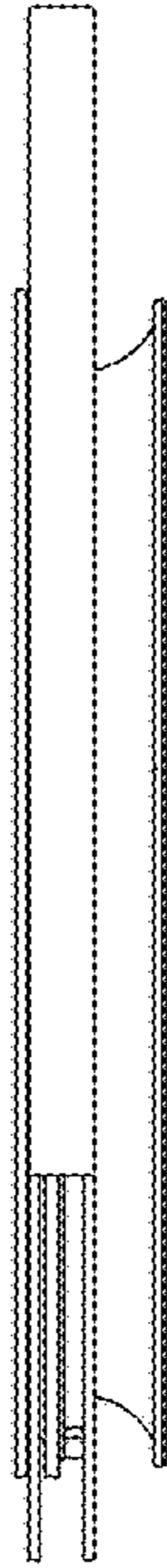
1.3



1.4



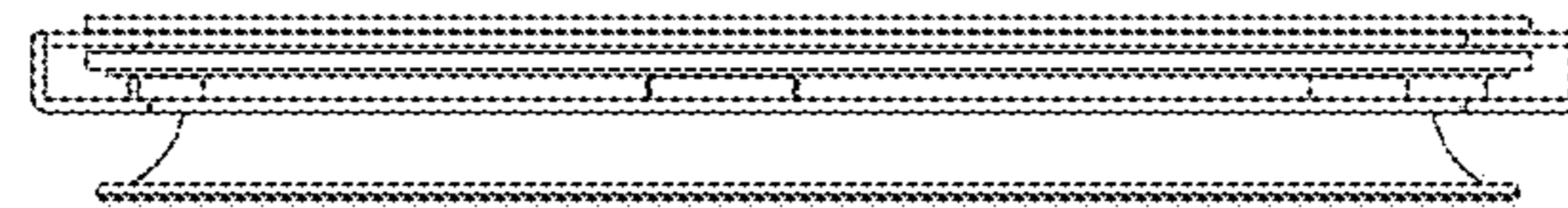
1.5



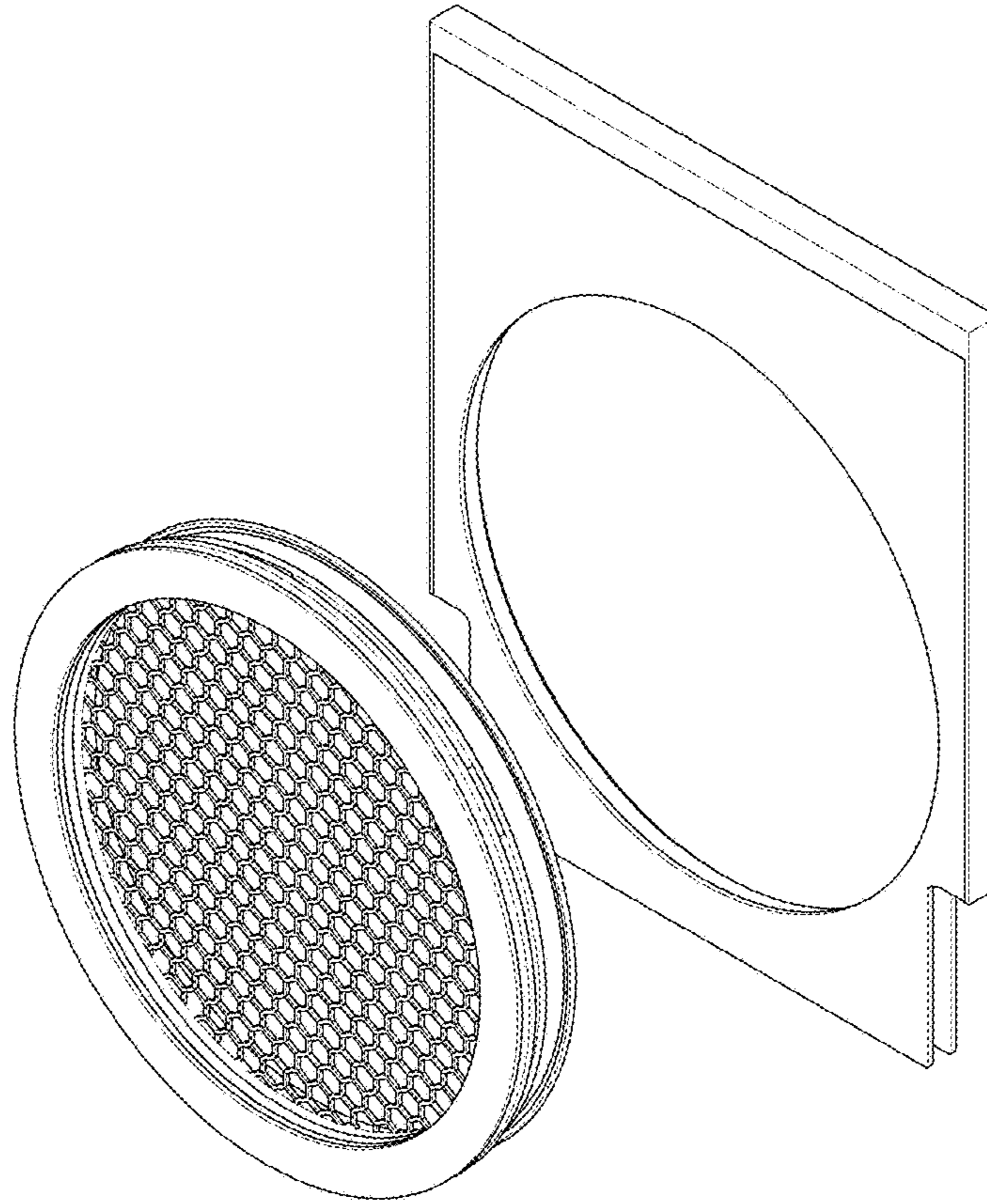
1.6



1.7



1.8



1.9

