



US00D859623S

(12) **United States Design Patent**  
**Hyon et al.**

(10) **Patent No.:** **US D859,623 S**  
(45) **Date of Patent:** **\*\* Sep. 10, 2019**

(54) **HUMIDIFYING FILTER FOR AIR PURIFIER**

(71) Applicant: **LG ELECTRONICS INC.**, Seoul (KR)

(72) Inventors: **Chinsoo Hyon**, Seoul (KR); **Seungho Baek**, Seoul (KR); **Yunseo Jang**, Seoul (KR); **Jaeyeong Jo**, Seoul (KR)

(73) Assignee: **LG ELECTRONICS INC.**, Seoul (KR)

(\*\*) Term: **15 Years**

(21) Appl. No.: **35/504,921**

(22) Filed: **Nov. 9, 2017**

(80) **Hague Agreement Data**

Int. Filing Date: **Nov. 9, 2017**

Int. Reg. No.: **DM/099371**

Int. Reg. Date: **Nov. 9, 2017**

Int. Reg. Pub. Date: **May 11, 2018**

(30) **Foreign Application Priority Data**

May 10, 2017 (KR) ..... 30-2017-0020935

(51) **LOC (12) Cl.** ..... **03-04**

(52) **U.S. Cl.**

USPC ..... **D23/356**; D23/365

CPC ..... **A61L 9/00** (2013.01)

(58) **Field of Classification Search**

USPC ..... D23/209, 210, 355-365

CPC ..... A61L 9/00; A61L 9/02; A61L 9/03; A61L 9/034; A61L 9/04; A61L 9/12; A61L 9/032; A61L 9/122; A61L 9/127; A61L 9/22; B01D 46/00; B01D 46/0002; B01D 46/20; F02M 35/04; F24F 13/20; A62B 21/00

See application file for complete search history.

(56) **References Cited**

**U.S. PATENT DOCUMENTS**

D256,943 S \* 9/1980 Angelinetta ..... D23/209

D274,462 S \* 6/1984 Rakocy ..... D23/365

D300,848 S \* 4/1989 Baker ..... D23/365  
D354,344 S \* 1/1995 Fritz ..... D23/366  
5,525,145 A \* 6/1996 Hodge ..... B01D 46/001  
96/17  
5,651,188 A \* 7/1997 Swanson ..... D06F 58/22  
34/595  
D383,881 S \* 9/1997 Gudmundsson ..... D32/30  
D389,284 S \* 1/1998 Gudmundsson ..... D32/30  
D390,747 S \* 2/1998 Joergensen ..... D7/400  
5,725,623 A \* 3/1998 Bowerman ..... A47L 5/28  
55/490  
D394,901 S \* 6/1998 Governale ..... D23/351  
D402,356 S \* 12/1998 Hodge ..... D23/365  
D406,421 S \* 3/1999 Bobrosky ..... D32/31  
D425,270 S \* 5/2000 Zahuranec ..... D32/30  
D439,963 S \* 4/2001 Gieseke ..... D23/365  
D441,067 S \* 4/2001 Flor ..... D23/365

(Continued)

*Primary Examiner* — Richard E Chilcot

(74) *Attorney, Agent, or Firm* — Birch, Stewart, Kolasch & Birch, LLP

(57) **CLAIM**

The ornamental design for a humidifying filter for air purifier, as shown and described.

**DESCRIPTION**

1. Humidifying filter for air purifier

1.1 : Perspective

1.2 : Front

1.3 : Back

1.4 : Left

1.5 : Right

1.6 : Top

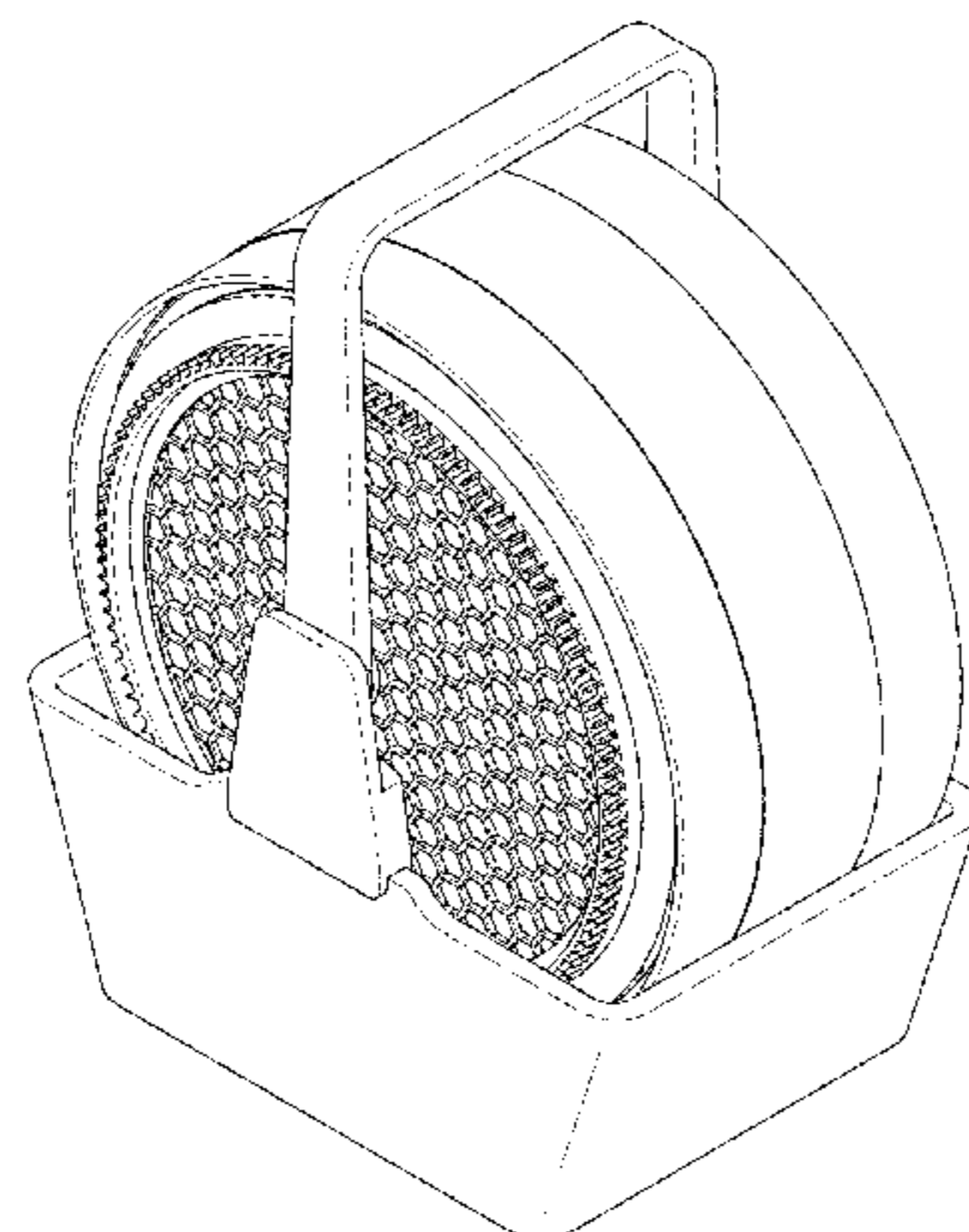
1.7 : Bottom

1.8 : Reference

1.9 : Reference

The broken line showing of an air purifier in Reproduction 1.9 is for the purpose of illustrating environmental structure of the humidifying filter for air purifier and forms no part of the claimed design.

**1 Claim, 8 Drawing Sheets**



(56)

References Cited

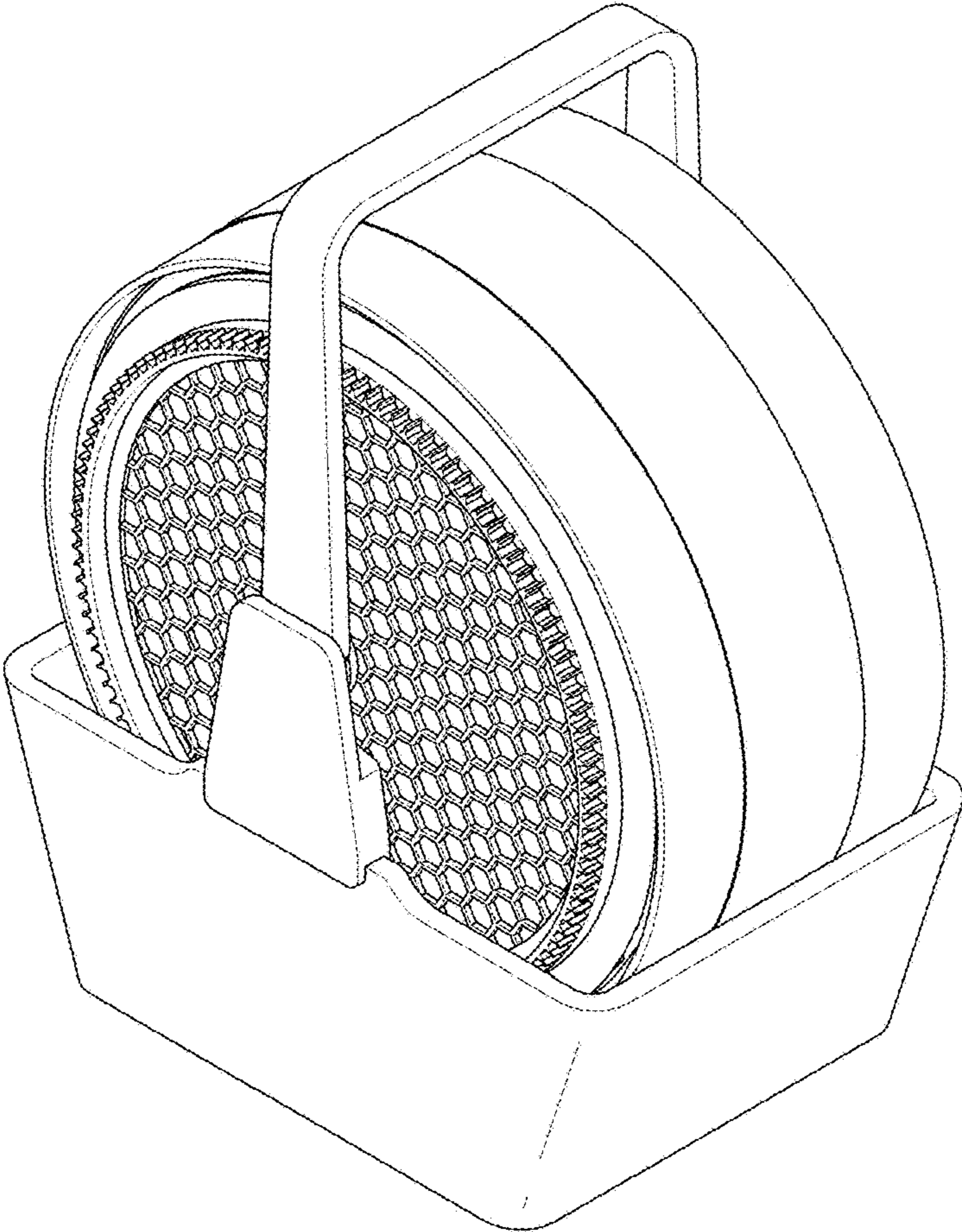
U.S. PATENT DOCUMENTS

D443,740 S \* 6/2001 Stratford ..... D32/30  
 D445,974 S \* 7/2001 Stratford ..... D32/30  
 D449,100 S \* 10/2001 Sundet ..... D23/365  
 D472,683 S \* 4/2003 Stratford ..... D32/31  
 D522,194 S \* 5/2006 Mason ..... D32/30  
 7,070,641 B1 \* 7/2006 Gunderson ..... B01D 53/0415  
 55/497  
 D538,418 S \* 3/2007 Pippel ..... D23/209  
 D544,949 S \* 6/2007 Winters ..... D23/365  
 D548,826 S \* 8/2007 Katta ..... D23/364  
 D605,274 S \* 12/2009 Kawano ..... D23/365  
 D628,673 S \* 12/2010 Dittmann ..... D23/209  
 D634,413 S \* 3/2011 Wallace ..... D23/354  
 8,021,455 B2 \* 9/2011 Adamek ..... B01D 39/163  
 55/486  
 8,172,919 B1 \* 5/2012 Ruiz ..... B01D 46/0002  
 55/315  
 D683,008 S \* 5/2013 Olchovy ..... D23/366  
 8,535,404 B2 \* 9/2013 Crabtree ..... B01D 39/1623  
 55/385.6

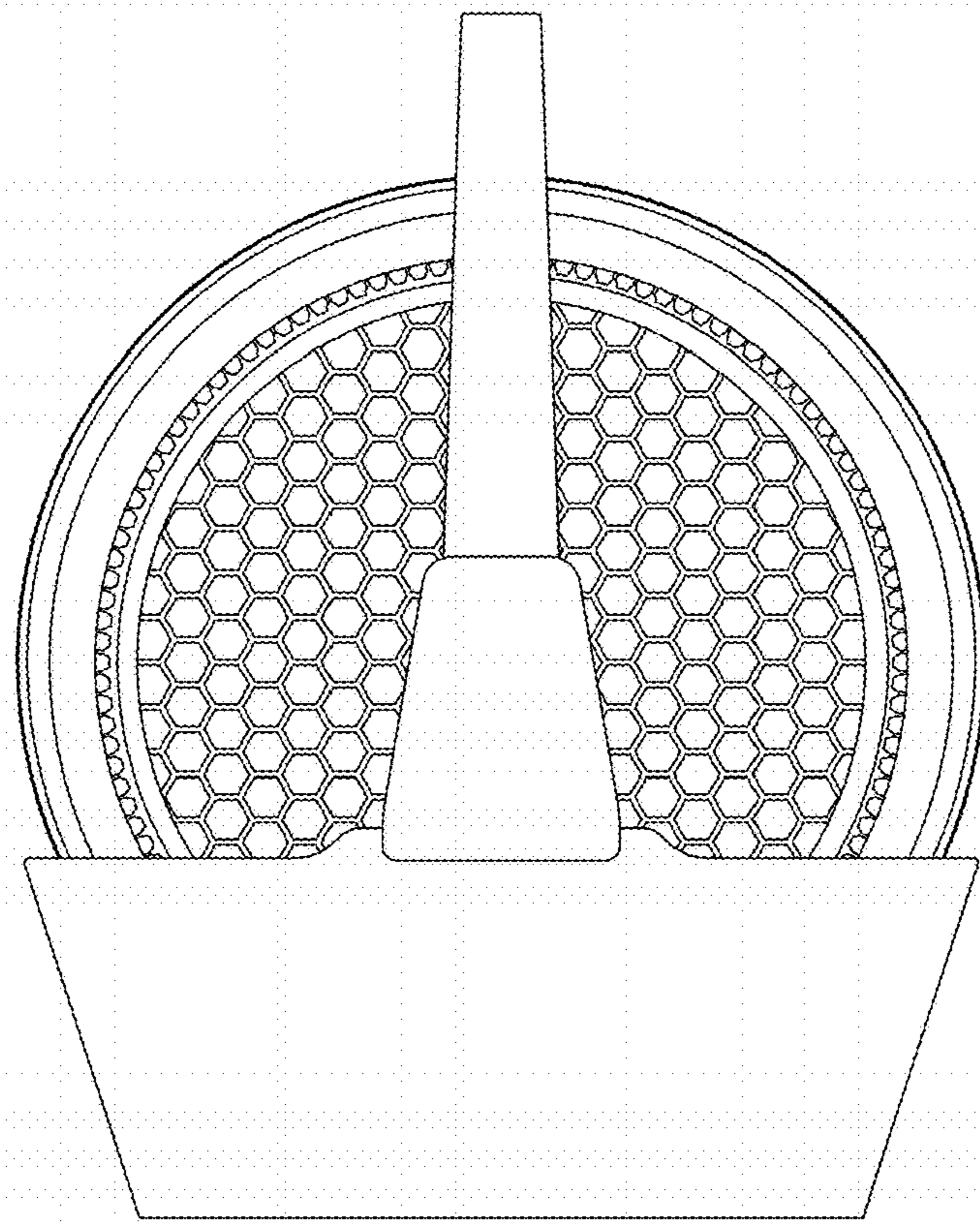
8,623,109 B2 \* 1/2014 Anoszko ..... B01D 46/0005  
 55/497  
 D726,296 S \* 4/2015 Talbot ..... D23/366  
 D754,315 S \* 4/2016 Morin ..... D23/365  
 D761,407 S \* 7/2016 Spear ..... D23/365  
 D770,029 S \* 10/2016 Guillemi ..... D23/392  
 D788,903 S \* 6/2017 Kern ..... D23/388  
 D796,022 S \* 8/2017 DeChristofaro ..... D23/365  
 D796,661 S \* 9/2017 Oswald, Jr. .... D23/388  
 D800,893 S \* 10/2017 Krob, Jr. .... D23/386  
 D804,005 S \* 11/2017 Spear ..... D23/365  
 D804,644 S \* 12/2017 Krob, Jr. .... D23/397  
 D804,981 S \* 12/2017 Pohl ..... D11/7  
 D806,847 S \* 1/2018 Kim ..... D23/364  
 D810,908 S \* 2/2018 Mork ..... D23/365  
 D824,009 S \* 7/2018 Kim ..... D23/365  
 D829,316 S \* 9/2018 Kim ..... D23/365  
 D829,317 S \* 9/2018 Kim ..... D23/365  
 D836,762 S \* 12/2018 Kim ..... D23/365  
 2006/0168925 A1 \* 8/2006 Whittemore ..... B01D 46/0005  
 55/490  
 2012/0151889 A1 \* 6/2012 Horey ..... B01D 46/009  
 55/467

\* cited by examiner

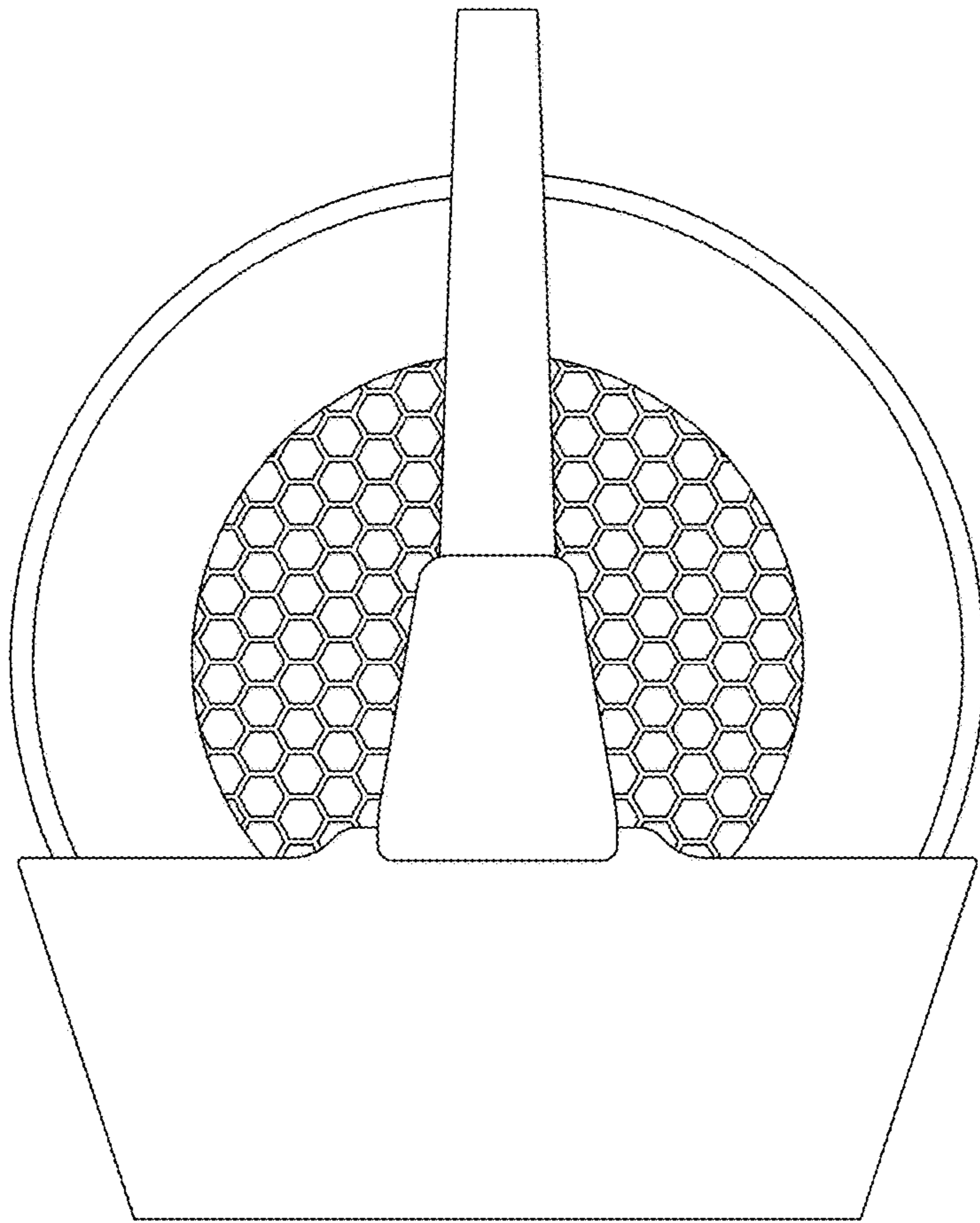
1.1



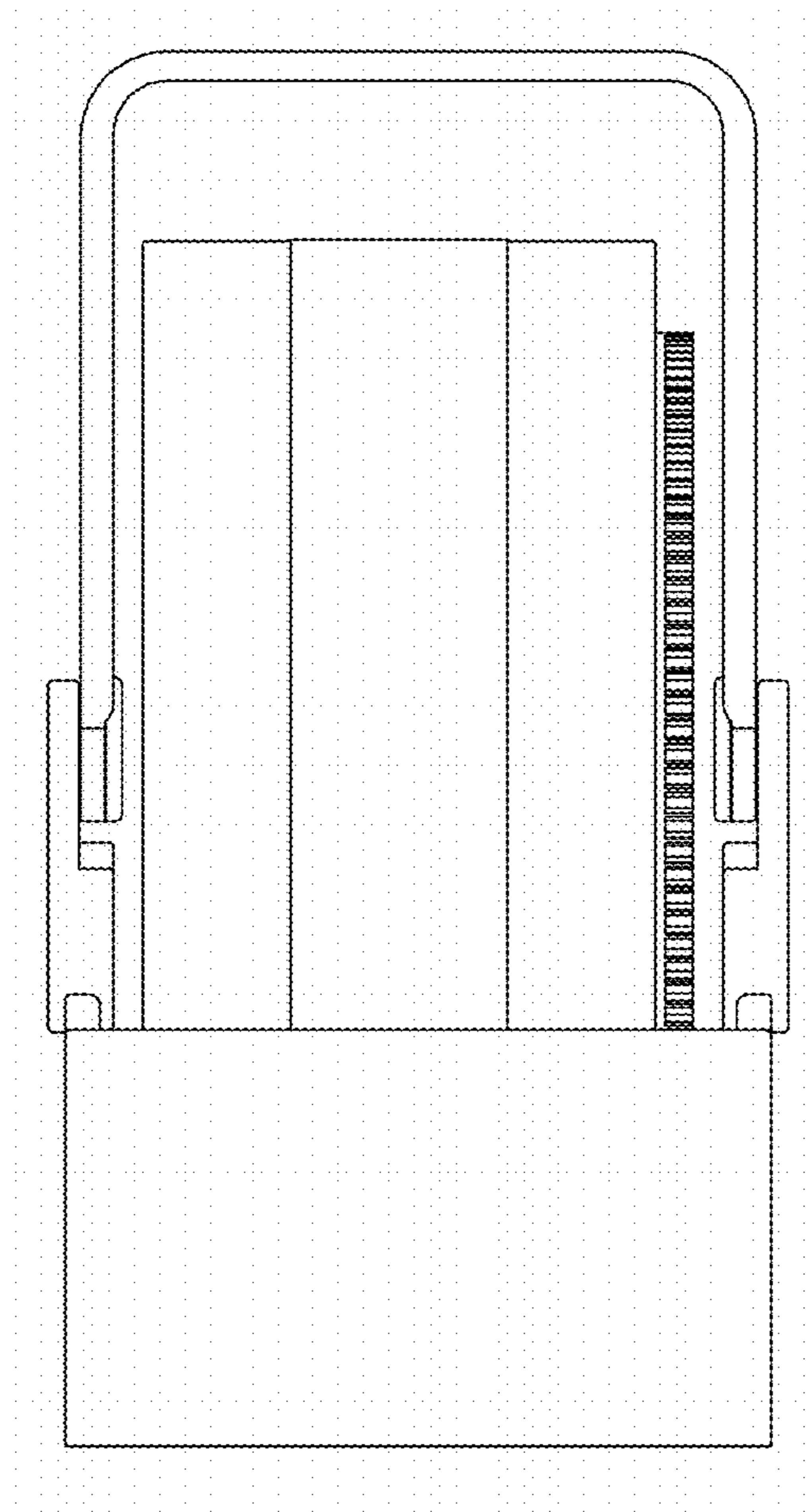
1.2



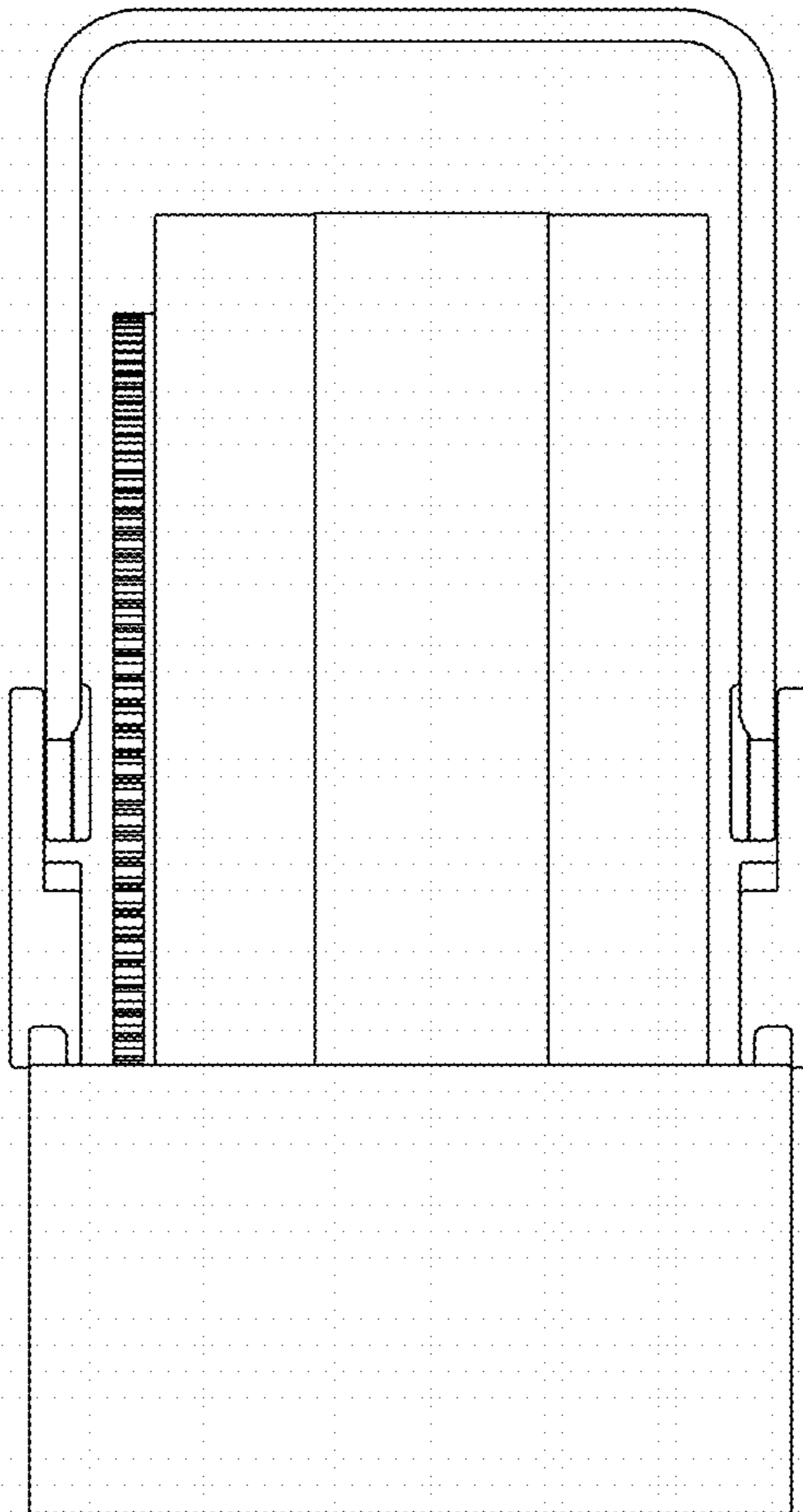
1.3



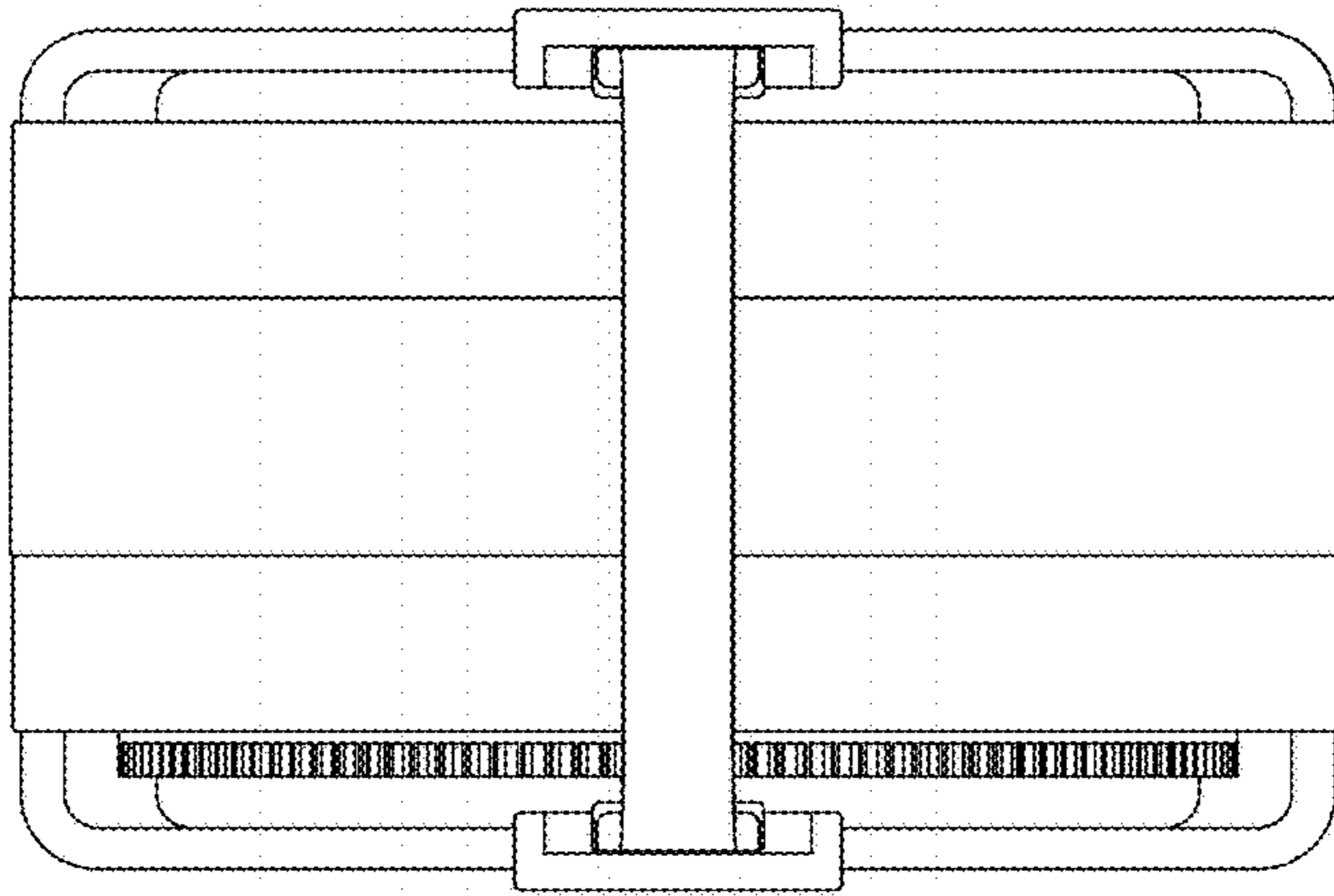
1.4



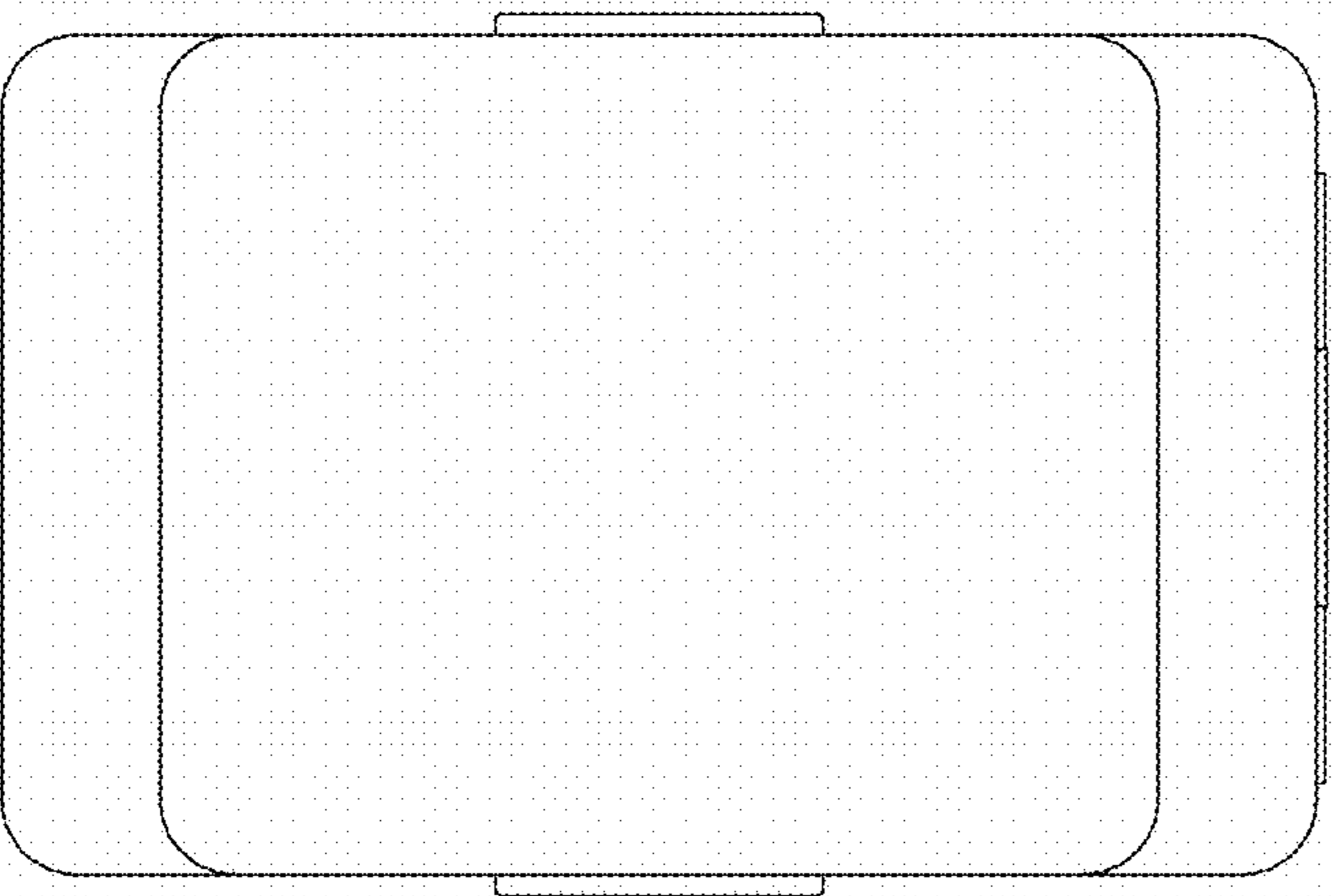
1.5



1.6

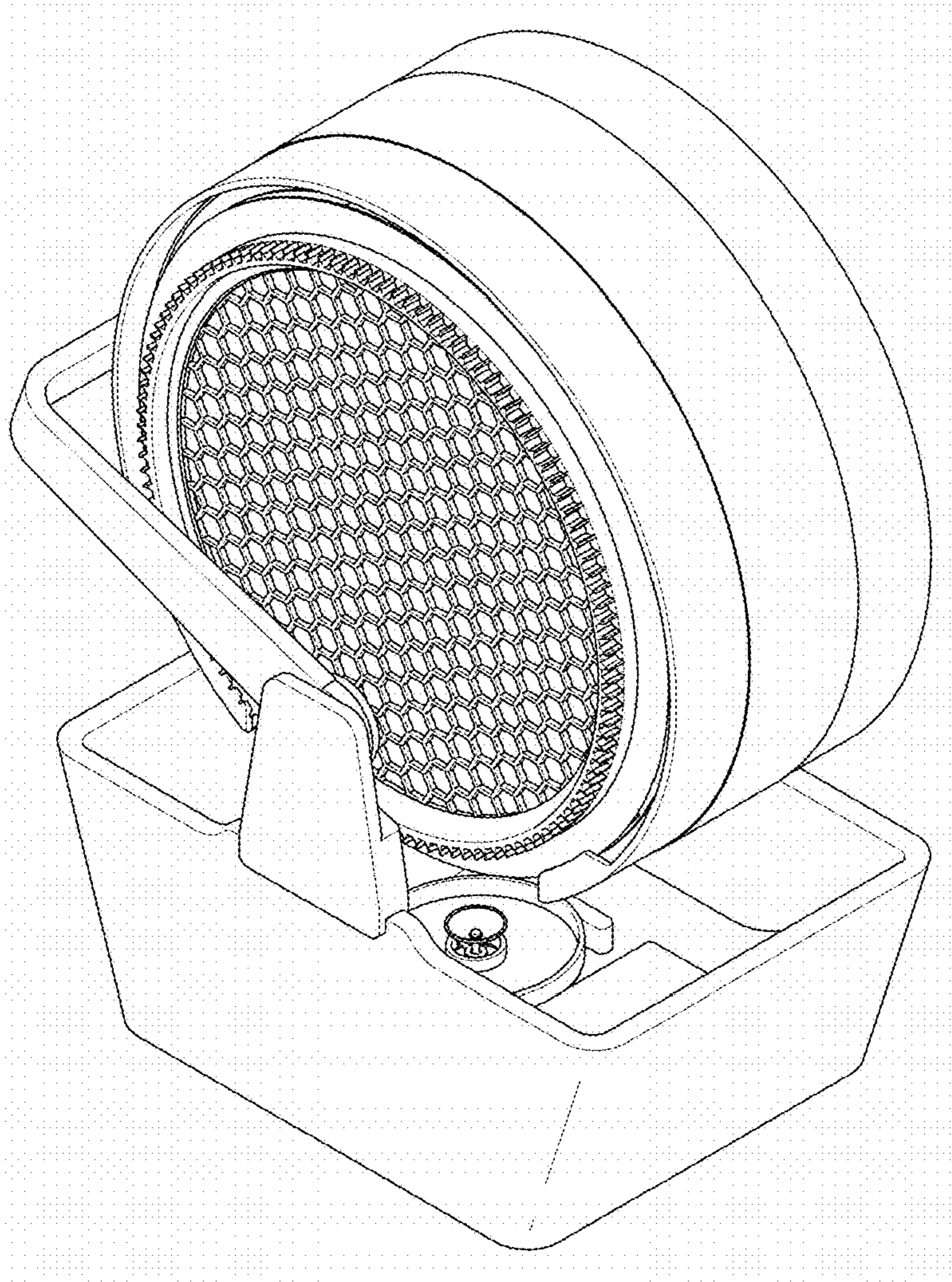


1.7





1.8



1.9

