



US00D859618S

(12) **United States Design Patent** (10) **Patent No.:** **US D859,618 S**  
**Pinnell et al.** (45) **Date of Patent:** **\*\* Sep. 10, 2019**

(54) **HEATING APPARATUS CLIP**  
(71) Applicant: **Pentair Water Pool and Spa, Inc.,**  
Cary, NC (US)  
(72) Inventors: **Eric Louis Pinnell**, Holly Springs, NC  
(US); **Sean Michael McEwan**, Chapel  
Hill, NC (US); **James Lee Miller**,  
Sanford, NC (US)

4,433,861 A 2/1984 Kreczik  
4,453,747 A 6/1984 Bimba  
4,474,227 A 10/1984 Reedy  
4,476,920 A 10/1984 Drucker et al.  
4,738,394 A 4/1988 Ripka et al.  
4,894,156 A 1/1990 Murken  
4,971,136 A 11/1990 Mathur et al.  
5,160,175 A 11/1992 Yang  
5,289,362 A 2/1994 Liebl et al.  
5,366,259 A 11/1994 Hohmann et al.

(Continued)

(73) Assignee: **Pentair Water Pool and Spa, Inc.,**  
Cary, NC (US)

**FOREIGN PATENT DOCUMENTS**

(\*\*) Term: **15 Years**

CN 101210719 A 7/2008  
CN 201819409 U 5/2011

(Continued)

(21) Appl. No.: **29/617,837**

*Primary Examiner* — T Chase Nelson

(22) Filed: **Sep. 15, 2017**

*Assistant Examiner* — Ania Aman

(51) **LOC (12) Cl.** ..... **23-03**

(74) *Attorney, Agent, or Firm* — Quarles & Brady LLP

(52) **U.S. Cl.**

USPC ..... **D23/322**

(58) **Field of Classification Search**

USPC ..... D23/259, 262, 365, 314, 316, 318, 322,  
D23/323, 341; D8/349, 354, 382  
CPC ..... F16L 37/084; F16L 37/098; F16L 37/14;  
F16L 37/12

See application file for complete search history.

(57) **CLAIM**

The ornamental design for a heating apparatus clip, as shown and described.

**DESCRIPTION**

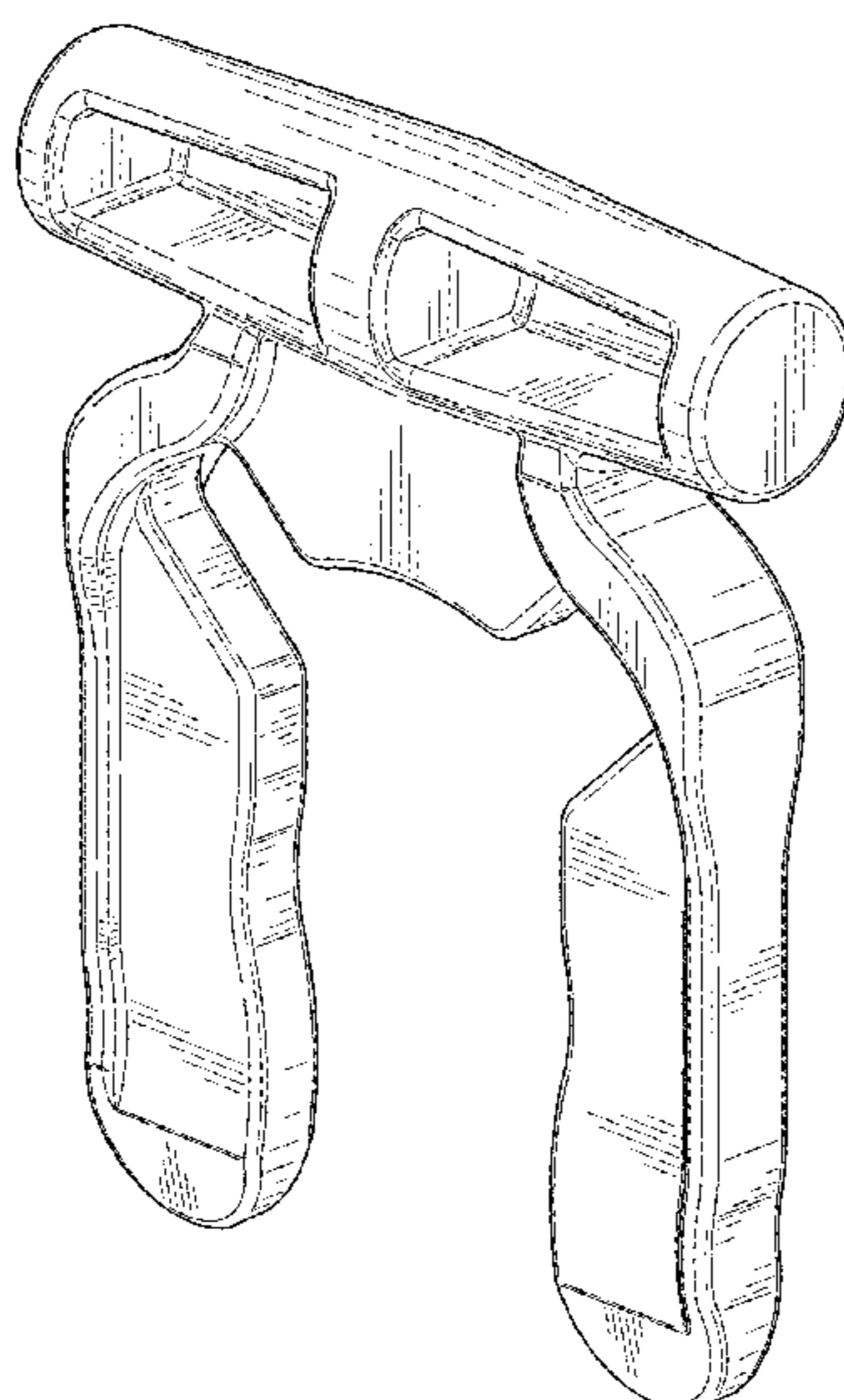
FIG. 1 is an isometric view of a top, front, and right side of a heating apparatus clip showing our new design; FIG. 2 is a front elevational view of the heating apparatus clip of FIG. 1; FIG. 3 is a rear elevational view of the heating apparatus clip of FIG. 1; FIG. 4 is a right side elevational view of the heating apparatus clip of FIG. 1, the left side elevational view being a mirror image thereof; FIG. 5 is a top plan view of the heating apparatus clip of FIG. 1; and, FIG. 6 is a bottom plan view of the heating apparatus clip of FIG. 1.

(56) **References Cited**

**U.S. PATENT DOCUMENTS**

D33,784 S \* 12/1900 Howell ..... D23/323  
D33,785 S \* 12/1900 Howell ..... 122/225 R  
2,021,241 A 11/1935 Mall  
D150,212 S \* 7/1948 Cross ..... D23/323  
2,899,215 A 8/1959 Ardito  
2,916,305 A 12/1959 Sherman  
3,527,485 A 9/1970 Goward et al.  
3,538,940 A 11/1970 Graham  
4,178,988 A 12/1979 Cann et al.  
4,244,608 A 1/1981 Stuemky  
4,291,833 A 9/1981 Franchina  
4,423,892 A 1/1984 Bartholomew

**1 Claim, 4 Drawing Sheets**



(56)

References Cited

U.S. PATENT DOCUMENTS

5,452,924 A	9/1995	Kujawski	8,280,236 B2	10/2012	Fabrizio
5,504,306 A	4/1996	Russell et al.	8,336,919 B2	12/2012	Gillet et al.
5,509,274 A	4/1996	Lackstrom	8,348,582 B2	1/2013	Bithell et al.
5,607,192 A	3/1997	Lee	8,370,001 B2	2/2013	Love
5,683,117 A	11/1997	Corbett et al.	8,408,604 B2	4/2013	Yamada et al.
5,700,993 A	12/1997	Counsell et al.	8,422,870 B2	4/2013	Nelson et al.
5,805,856 A	9/1998	Hanson	8,498,523 B2	7/2013	Deivasigamani et al.
5,964,483 A	10/1999	Long et al.	8,577,507 B2	11/2013	Milder et al.
5,967,411 A	10/1999	Perry et al.	8,596,690 B2	12/2013	Yamada et al.
5,992,903 A	11/1999	Bartholomew	8,600,563 B2	12/2013	Ben-Yaacov et al.
6,053,427 A	4/2000	Wilger et al.	8,640,474 B2	2/2014	Ackner et al.
6,145,886 A	11/2000	Ohta et al.	8,657,343 B2	2/2014	Rodenberg et al.
6,149,066 A	11/2000	Perry et al.	8,755,943 B2	6/2014	Wenzel
6,179,345 B1	1/2001	Genset et al.	8,973,952 B2	3/2015	Nishino et al.
6,213,405 B1	4/2001	Spiegel	9,004,543 B2	4/2015	Bongiomi et al.
6,318,764 B1	11/2001	Trede et al.	9,016,729 B2	4/2015	Ishida et al.
6,328,344 B1	12/2001	Tozaki et al.	9,068,767 B2	6/2015	Lesage et al.
6,439,469 B1	8/2002	Gruber et al.	9,086,180 B2	7/2015	Porta
6,554,322 B2	4/2003	Duong et al.	9,115,834 B2	8/2015	Parks et al.
6,568,713 B1	5/2003	Bruvry et al.	9,127,866 B2	9/2015	Ben-Yaacov et al.
6,604,760 B2	8/2003	Cresswell et al.	9,151,506 B2	10/2015	Ru et al.
6,634,679 B1	10/2003	Stieler	9,188,267 B2	11/2015	Fansler
6,640,047 B2	10/2003	Murahashi et al.	9,200,811 B2	12/2015	Lifson et al.
6,676,831 B2	1/2004	Wolfe	9,234,617 B2	1/2016	Cai et al.
6,688,654 B2	2/2004	Romero	9,244,445 B2	1/2016	Finch et al.
6,722,703 B2	4/2004	Takayangai	9,256,702 B2	2/2016	ElBsat
6,785,630 B2	8/2004	Kolk et al.	9,298,203 B2	3/2016	Wenzel
6,904,873 B1	6/2005	Ashton	9,341,383 B2	5/2016	Aspeslagh et al.
6,909,843 B1	6/2005	Fabrizio	9,677,699 B2 *	6/2017	Barthel ..... F16L 37/088
6,983,958 B2	1/2006	Rautureau	D812,731 S *	3/2018	Matsunaga ..... D23/322
6,997,486 B2	2/2006	Milhas	2003/0036820 A1	2/2003	Yellepeddy et al.
7,043,341 B2	5/2006	Gallupe et al.	2003/0137148 A1	7/2003	Andre et al.
7,044,505 B2	5/2006	Takayanagi	2004/0024717 A1	2/2004	Sneeringer
7,046,922 B1	5/2006	Sturm et al.	2004/0128266 A1	7/2004	Yellepeddy et al.
7,055,869 B2 *	6/2006	Malone ..... F16L 37/144 285/319	2005/0087981 A1 *	4/2005	Yamada ..... F16L 37/0982 285/81
7,201,403 B2	4/2007	Takayanagi et al.	2006/0027673 A1	2/2006	Fabrizio
7,243,004 B2	7/2007	Shah et al.	2006/0065750 A1	3/2006	Fairless
7,243,044 B2	7/2007	McCalla	2006/0082145 A1 *	4/2006	Steveley ..... F16L 37/144 285/305
7,270,350 B2	9/2007	Cronley	2007/0112694 A1	5/2007	Metcalf
7,328,922 B2	2/2008	Takayanagi et al.	2007/0154856 A1	7/2007	Hallit et al.
7,338,092 B1	3/2008	Cicconi, III	2007/0244576 A1	10/2007	Potucek et al.
7,387,318 B2	6/2008	Yoshida	2008/0023564 A1	1/2008	Hall
7,390,025 B2	6/2008	Pepe et al.	2008/0048442 A1 *	2/2008	Kerin ..... F16L 25/01 285/305
7,390,029 B2	6/2008	Matsubara	2008/0231045 A1	9/2008	Trede et al.
7,393,019 B2	7/2008	Taga et al.	2008/0258464 A1	10/2008	Kaufmann et al.
7,401,818 B2	7/2008	Takayanagi	2009/0012651 A1	1/2009	Lifson et al.
7,438,328 B2	10/2008	Mori et al.	2009/0058083 A1	3/2009	Dorman et al.
7,455,327 B2 *	11/2008	Lorenz ..... F16L 37/0841 285/308	2009/0159076 A1	6/2009	Zheng
7,497,480 B2	3/2009	Kerin et al.	2009/0159259 A1	6/2009	Sinha
7,506,616 B2	3/2009	Calvert	2009/0171862 A1	7/2009	Harrod et al.
7,516,989 B2	4/2009	Yoshida	2009/0234513 A1	9/2009	Wiggins
7,530,605 B2	5/2009	Rigollet et al.	2010/0012293 A1	1/2010	Sinha et al.
7,552,948 B2	6/2009	Matsuno et al.	2010/0021149 A1	1/2010	Mulder et al.
7,566,077 B2	7/2009	Tsurumi	2010/0032937 A1 *	2/2010	Kerin ..... F16L 37/144 285/3
7,571,939 B2	8/2009	Yoshida et al.	2010/0052315 A1 *	3/2010	Kerin ..... F16L 37/144 285/148.21
7,597,362 B2	10/2009	Hartmann	2010/0276924 A1 *	11/2010	Gillet ..... F16L 37/088 285/93
7,614,665 B2	11/2009	Hartmann	2010/0284732 A1 *	11/2010	Nakamura ..... F16L 37/084 403/27
7,647,137 B2	1/2010	Schindler	2011/0008030 A1	1/2011	Luo et al.
7,658,420 B2	2/2010	Harger et al.	2011/0048404 A1	3/2011	Lee
7,677,608 B2	3/2010	Takayanagi	2011/0089684 A1 *	4/2011	Schutte ..... F16L 37/144 285/305
7,695,024 B2	4/2010	Ostergren et al.	2011/0286727 A1	11/2011	Johnson
7,699,356 B2	4/2010	Bucher et al.	2012/0066886 A1	3/2012	Cronley
7,731,245 B2	6/2010	Kerin et al.	2012/0086197 A1	4/2012	Bauer et al.
7,775,562 B2	8/2010	Sawada	2012/0090559 A1	4/2012	Yan et al.
7,823,799 B2	11/2010	Sakai et al.	2013/0042635 A1	2/2013	Nelson et al.
7,848,853 B2	12/2010	Milder et al.	2013/0082459 A1	4/2013	Kaneko et al.
7,866,711 B2	1/2011	Kerin et al.	2013/0091883 A1	4/2013	Perez et al.
8,041,461 B2	10/2011	Milder et al.	2013/0094840 A1	4/2013	Seitz et al.
8,041,462 B2	10/2011	Milder et al.	2013/0147187 A1 *	6/2013	Yamada ..... F16L 37/133 285/319
8,070,188 B2	12/2011	Cronley			
8,113,547 B2	2/2012	Andre			
8,126,595 B2	2/2012	Milder et al.			
8,240,716 B2	8/2012	Kerin et al.			

(56)

References Cited

U.S. PATENT DOCUMENTS

2013/0154255 A1 6/2013 Daimon et al.  
 2013/0161941 A1 6/2013 Zulauf et al.  
 2013/0266295 A1 10/2013 Kreutzman  
 2013/0312671 A1 11/2013 Deivasigamani et al.  
 2013/0313820 A1\* 11/2013 He ..... F16L 37/1225  
 285/86  
 2013/0320667 A1 12/2013 Cai et al.  
 2014/0023352 A1 1/2014 Jurczynszak et al.  
 2014/0156102 A1 6/2014 Elbaz et al.  
 2014/0312614 A1 10/2014 Barthel et al.  
 2014/0339820 A1 11/2014 Suilmann et al.  
 2014/0339821 A1\* 11/2014 Ishizaka ..... F16L 37/12  
 285/319  
 2015/0000096 A1 1/2015 Gilbreath  
 2015/0090803 A1 4/2015 Okamoto et al.  
 2015/0101173 A1 4/2015 Hartmann  
 2015/0167989 A1 6/2015 Matsuoka et al.  
 2015/0176738 A1 6/2015 Nezu  
 2015/0219343 A1 8/2015 Moriwaki et al.  
 2015/0233510 A1 8/2015 Nezu  
 2015/0338001 A1 11/2015 Bush et al.  
 2015/0368921 A1 12/2015 Dzindo  
 2015/0377396 A1 12/2015 Rosin et al.  
 2016/0109866 A1 4/2016 ElBsat et al.  
 2016/0178234 A1 6/2016 Hayden et al.  
 2016/0195866 A1 7/2016 Turney et al.  
 2016/0201835 A1 7/2016 Jones et al.

FOREIGN PATENT DOCUMENTS

CN 202485275 U 10/2012  
 EP 0193482 A1 9/1986  
 FR 2765671 A1 1/1999  
 JP 2011027368 A 2/2011  
 WO 9535460 A1 12/1995  
 WO 9854503 A1 12/1998

WO 9926010 A1 5/1999  
 WO 0071924 A1 11/2000  
 WO 0144709 A1 6/2001  
 WO 02063202 A1 8/2002  
 WO 02095301 A1 11/2002  
 WO 03002901 A1 1/2003  
 WO 03089830 A1 10/2003  
 WO 2004106799 A2 12/2004  
 WO 2005005875 A1 1/2005  
 WO 2005045299 A1 5/2005  
 WO 2005047751 A1 5/2005  
 WO 2005057073 A1 6/2005  
 WO 2005067617 A2 7/2005  
 WO 2005106346 A1 11/2005  
 WO 2007004460 A1 1/2007  
 WO 2007036794 A1 4/2007  
 WO 2007046792 A1 4/2007  
 WO 2007057068 A1 5/2007  
 WO 2007066675 A1 6/2007  
 WO 2007095087 A2 8/2007  
 WO 2007109829 A1 10/2007  
 WO 2007117246 A1 10/2007  
 WO 2011140281 A1 11/2011  
 WO 2012043024 A1 4/2012  
 WO 2012077333 A2 6/2012  
 WO 2012154298 A1 11/2012  
 WO 2012162763 A1 12/2012  
 WO 2013001915 A1 1/2013  
 WO 2013018562 A1 2/2013  
 WO 2013031272 A1 3/2013  
 WO 2013087154 A2 6/2013  
 WO 2013101534 A1 7/2013  
 WO 2013131129 A1 9/2013  
 WO 2013166536 A1 11/2013  
 WO 2014010235 A1 1/2014  
 WO 2014050119 A1 4/2014  
 WO 2014136014 A1 9/2014  
 WO 2015025585 A1 2/2015  
 WO 2015196198 A1 12/2015

\* cited by examiner

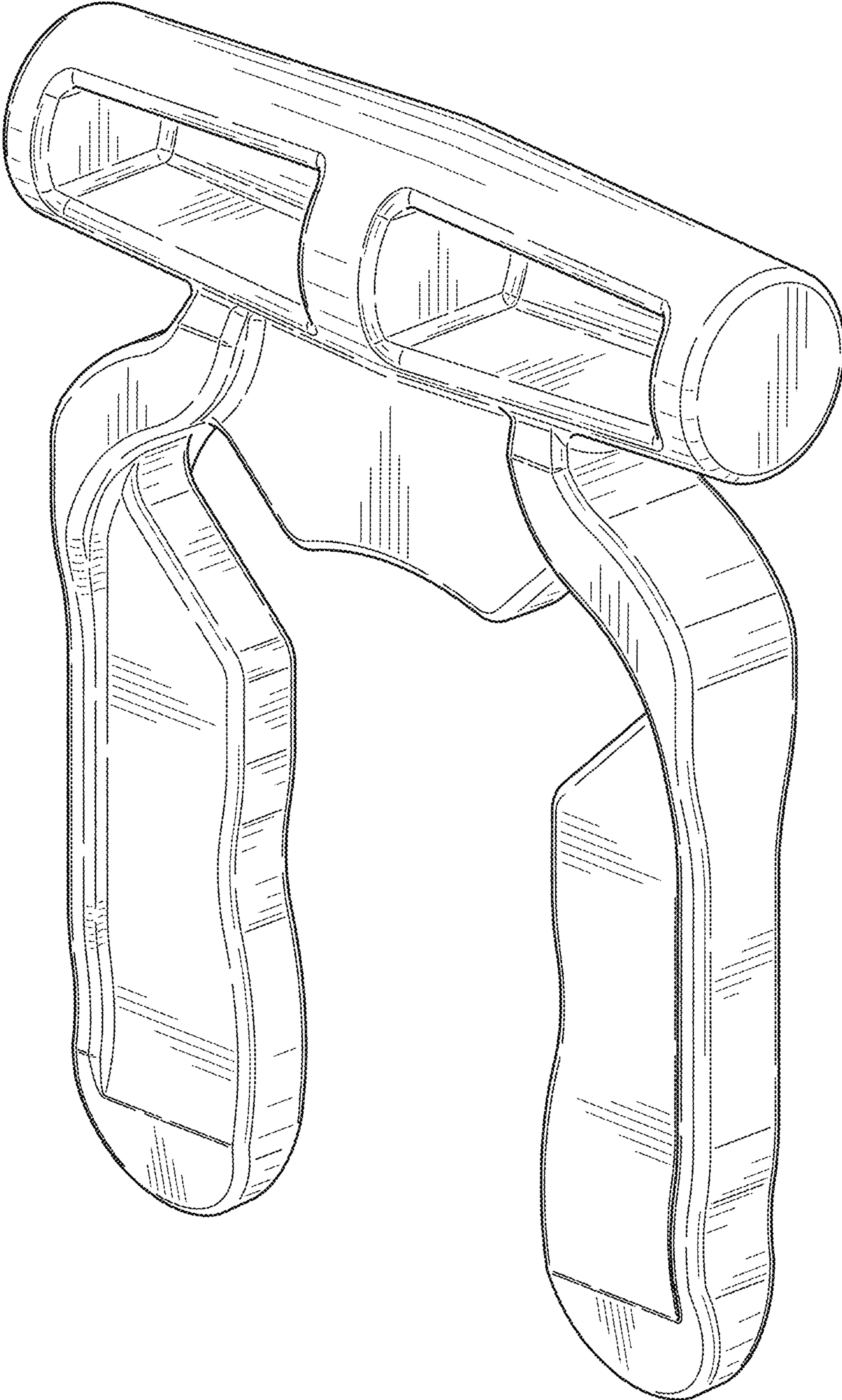


FIG. 1

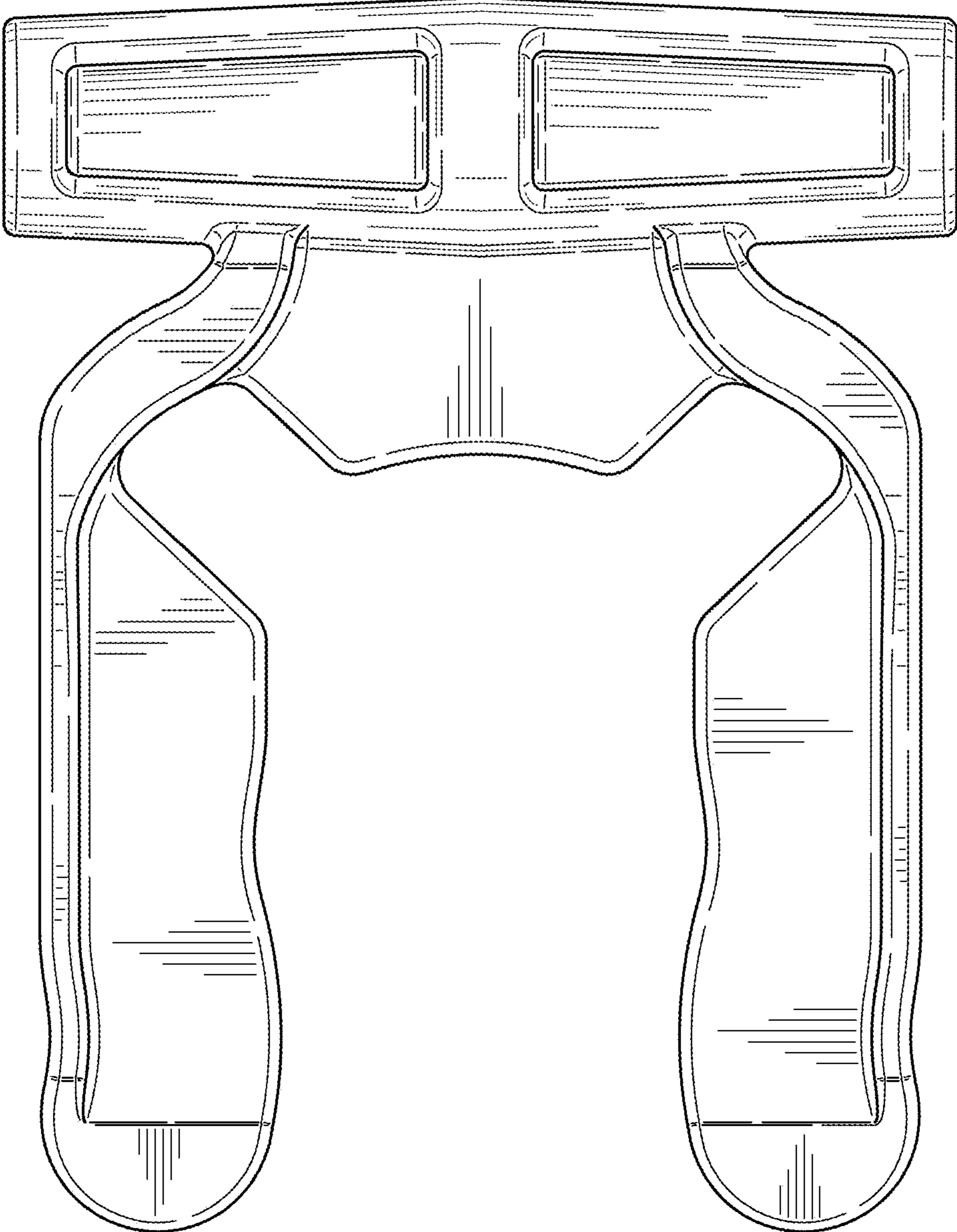


FIG. 2

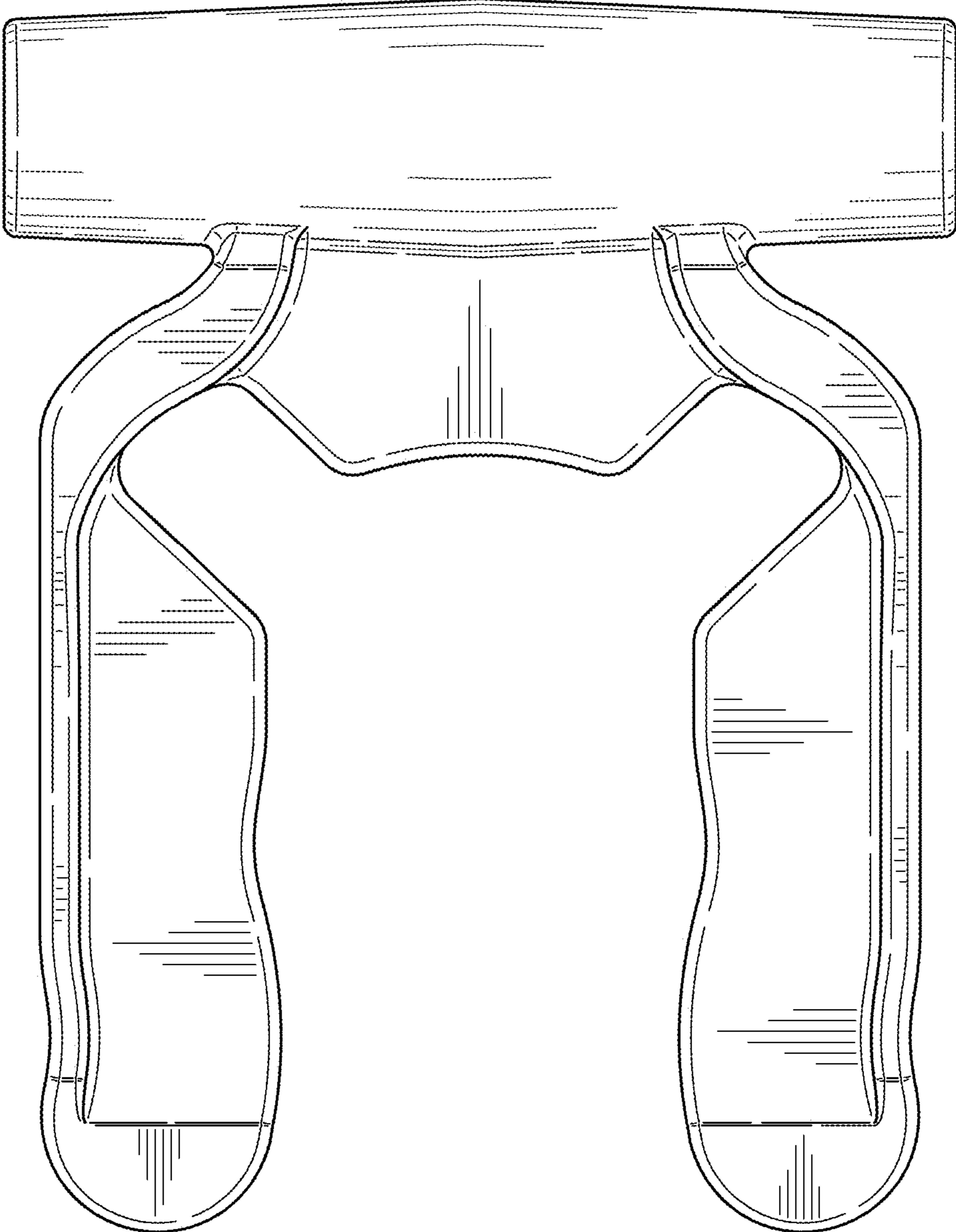


FIG. 3

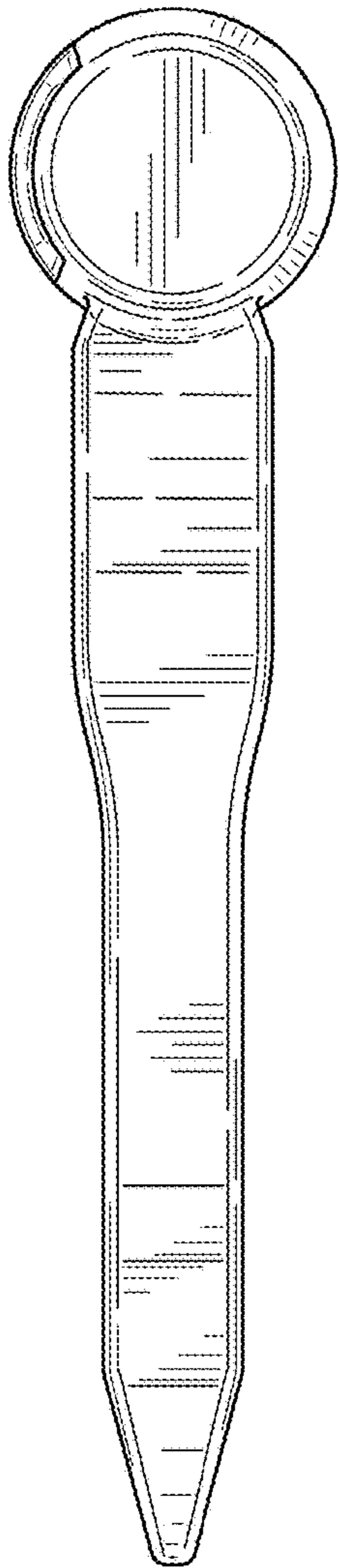


FIG. 4

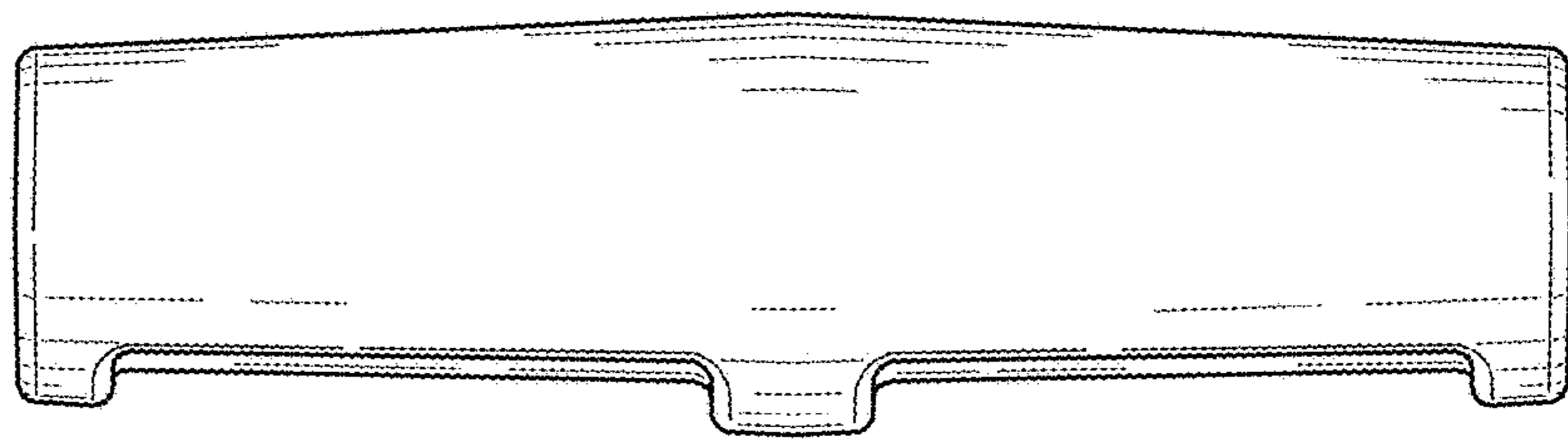


FIG. 5

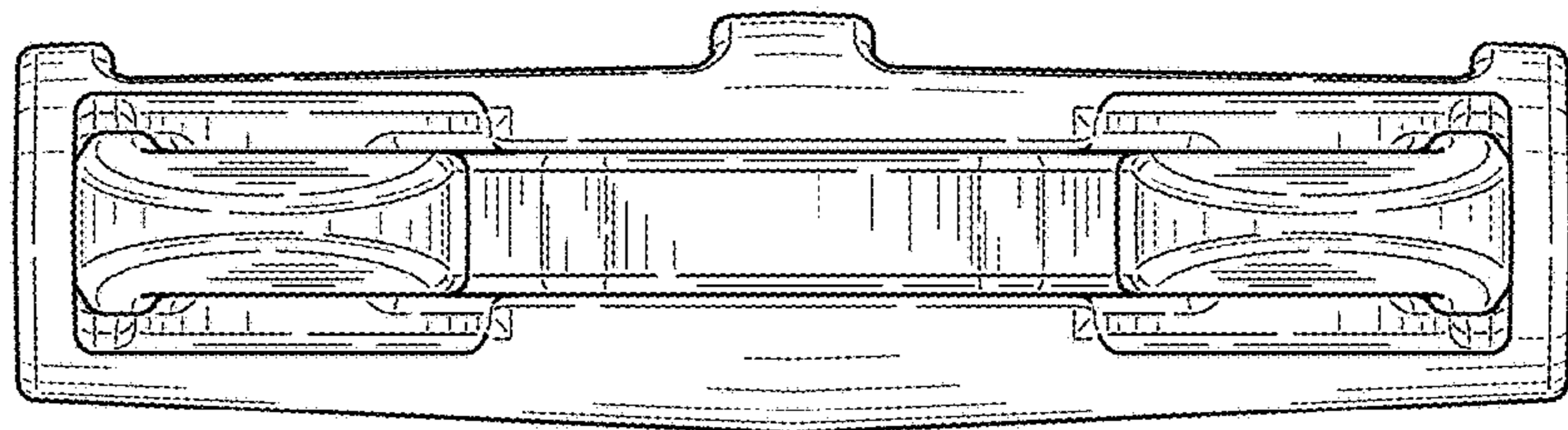


FIG. 6