

US00D859617S

(12) **United States Design Patent** (10) **Patent No.:** **US D859,617 S**
Humphrey et al. (45) **Date of Patent:** **** Sep. 10, 2019**

(54) **HOT WATER HEATER ASSEMBLY**

Primary Examiner — T Chase Nelson

Assistant Examiner — Ania Aman

(71) Applicant: **Rinnai America Corporation**,
Peachtree City, GA (US)

(74) *Attorney, Agent, or Firm* — Meunier Carlin &
Curfman LLC

(72) Inventors: **Scott Gilman Humphrey**, Peachtree
City, GA (US); **Jose Luis Aponte**
Keillor, Peachtree City, GA (US)

(57) **CLAIM**

The ornamental design for a hot water heater assembly, as
shown and described.

(73) Assignee: **Rinnai America Corporation**,
Peachtree City, GA (US)

DESCRIPTION

(**) Term: **15 Years**

FIG. 1 is a top perspective view of a hot water heater
assembly.

(21) Appl. No.: **29/659,607**

FIG. 2 is a bottom perspective view of the hot water heater
assembly of FIG. 1.

(22) Filed: **Aug. 10, 2018**

FIG. 3 is a front view of the hot water heater assembly of
FIG. 1.

Related U.S. Application Data

FIG. 4 is a rear view of the hot water heater assembly of FIG.
1.

(63) Continuation of application No. 29/617,137, filed on
Sep. 12, 2017, now Pat. No. Des. 825,724, which is
(Continued)

FIG. 5 is a right side view of the hot water heater assembly
of FIG. 1.

(51) **LOC (12) Cl.** **23-03**

FIG. 6 is a left side view of the hot water heater assembly
of FIG. 1.

(52) **U.S. Cl.**
USPC **D23/318**

FIG. 7 is a top view of the hot water heater assembly of FIG.
1.

(58) **Field of Classification Search**
USPC D23/318, 319, 320, 321, 322, 314, 317,
D23/329, 330, 342; D13/184
(Continued)

FIG. 8 is a bottom view of the hot water heater assembly of
FIG. 1.

(56) **References Cited**

FIGS. 9 and 10 are exploded top perspective views of the hot
water heater assembly of FIG. 1.

U.S. PATENT DOCUMENTS

D311,950 S 11/1990 Excell
D347,274 S 5/1994 Prevost
(Continued)

FIG. 11 is a top perspective view of the hot water heater
assembly of FIG. 1 shown in context with a tank.

OTHER PUBLICATIONS

Notice of Allowance issued in Design U.S. Appl. No. 29/617,137,
dated Apr. 18, 2018.

FIG. 12 is a bottom perspective view of the hot water heater
assembly of FIG. 11.

(Continued)

FIG. 13 is a right side view of the hot water heater assembly
of FIG. 11.

(Continued)

FIG. 14 is a left side view of the hot water heater assembly
of FIG. 11.

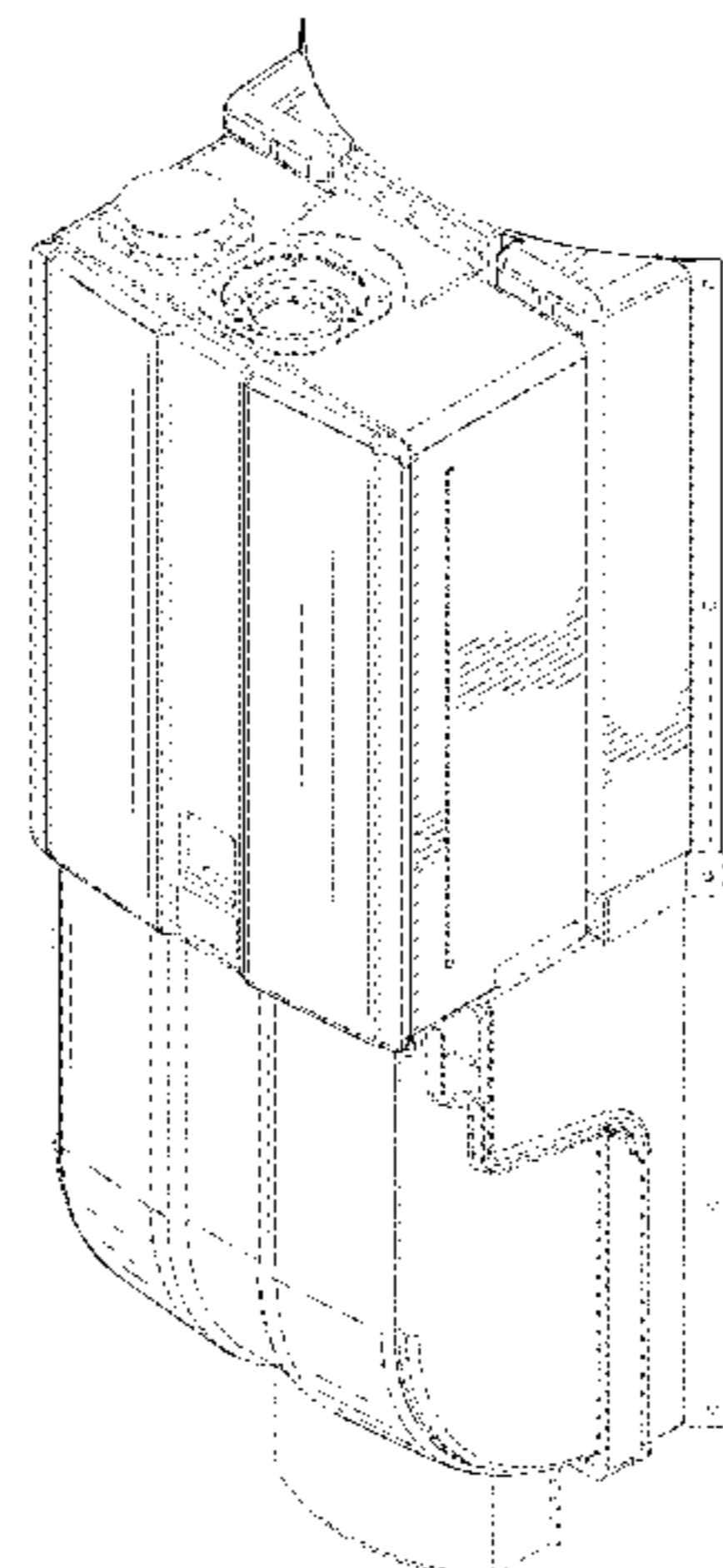


FIG. 15 is a front view of the hot water heater assembly of
FIG. 11.

FIG. 16 is a rear view of the hot water heater assembly of
FIG. 11.

FIG. 17 is a top view of the hot water heater assembly of
FIG. 11.

FIG. 18 is a bottom view of the hot water heater assembly of FIG. 11; and, FIGS. 19 and 20 are exploded top perspective views of the hot water heater assembly of FIG. 11. The dash-dot broken lines adjacent to shaded areas represent unclaimed boundaries of the claimed design. The consistent length broken lines depict environmental structure and unclaimed portions of the hot water heater assembly. The broken lines form no part of the claimed design.

1 Claim, 19 Drawing Sheets

Related U.S. Application Data

a continuation of application No. 29/579,327, filed on Sep. 29, 2016, now Pat. No. Des. 799,650.

(58) **Field of Classification Search**

CPC F24H 9/06; F24H 9/2035; F24H 1/125; F24H 1/145; F24H 1/186; F24H 9/124; F24H 9/2078; F24H 9/2007; F24H 1/08; F24H 1/10; F24H 1/12; F24H 1/18; F24H 1/22; F24H 1/50; F24H 1/182

See application file for complete search history.

(56)

References Cited

U.S. PATENT DOCUMENTS

D351,900	S	10/1994	Prevost	
D356,861	S	3/1995	Busalt	
6,951,191	B1	10/2005	Lin	
7,055,465	B1	6/2006	Huang	
D532,498	S	11/2006	Maegawa	
D603,491	S	11/2009	Villalobos	
D603,492	S *	11/2009	Lopez D23/318
D679,787	S	4/2013	Lesage	
D715,906	S	10/2014	Christen	
9,222,696	B2 *	12/2015	Lesage F24H 1/08
2009/0120381	A1	5/2009	Lopez	
2012/0079995	A1	4/2012	Jacques	
2014/0209042	A1	7/2014	Hardesty	
2015/0047578	A1	2/2015	Lesage	
2015/0338127	A1	11/2015	Kim	
2017/0038094	A1	2/2017	Poehlman	

OTHER PUBLICATIONS

Notice of Allowance issued in Design U.S. Appl. No. 29/579,327, dated Jun. 2, 2017.

* cited by examiner

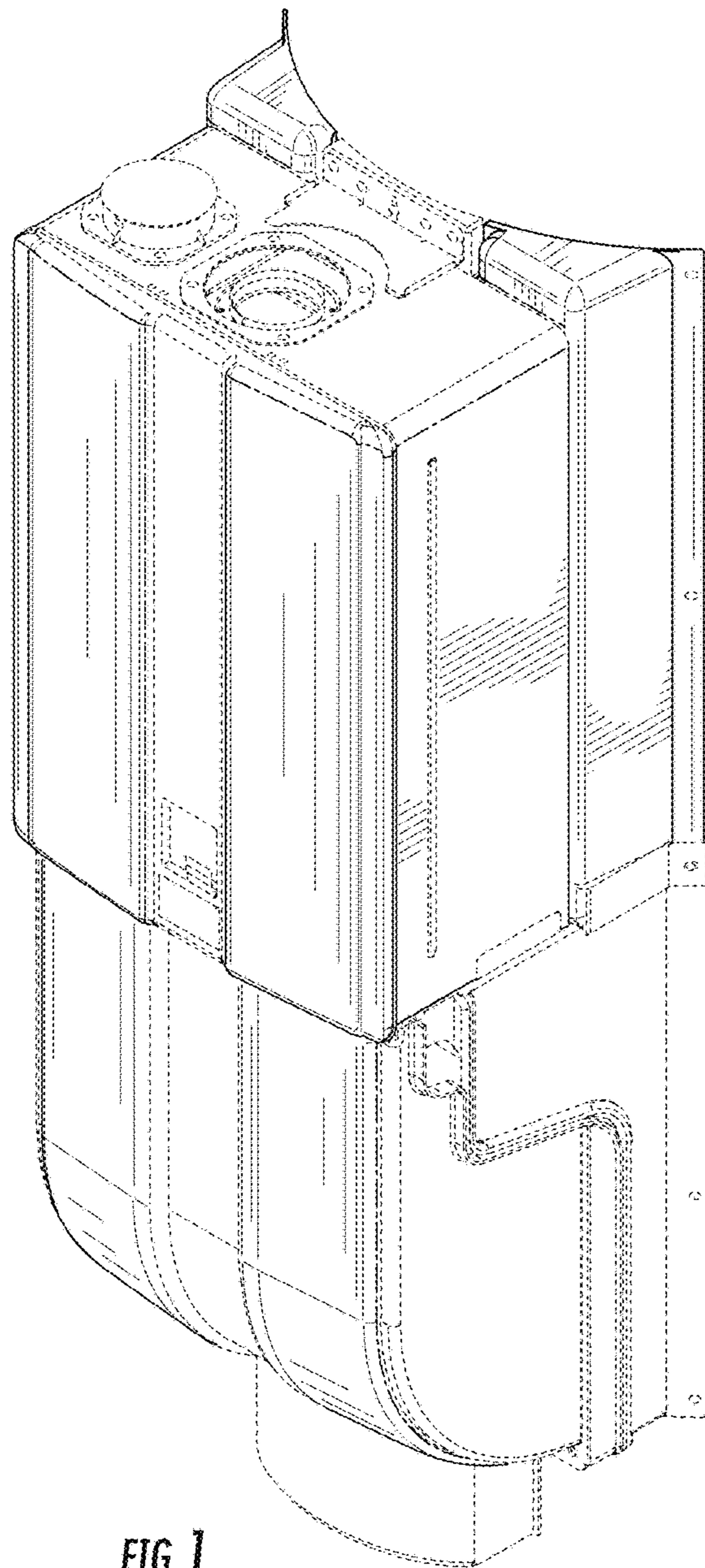


FIG. 1

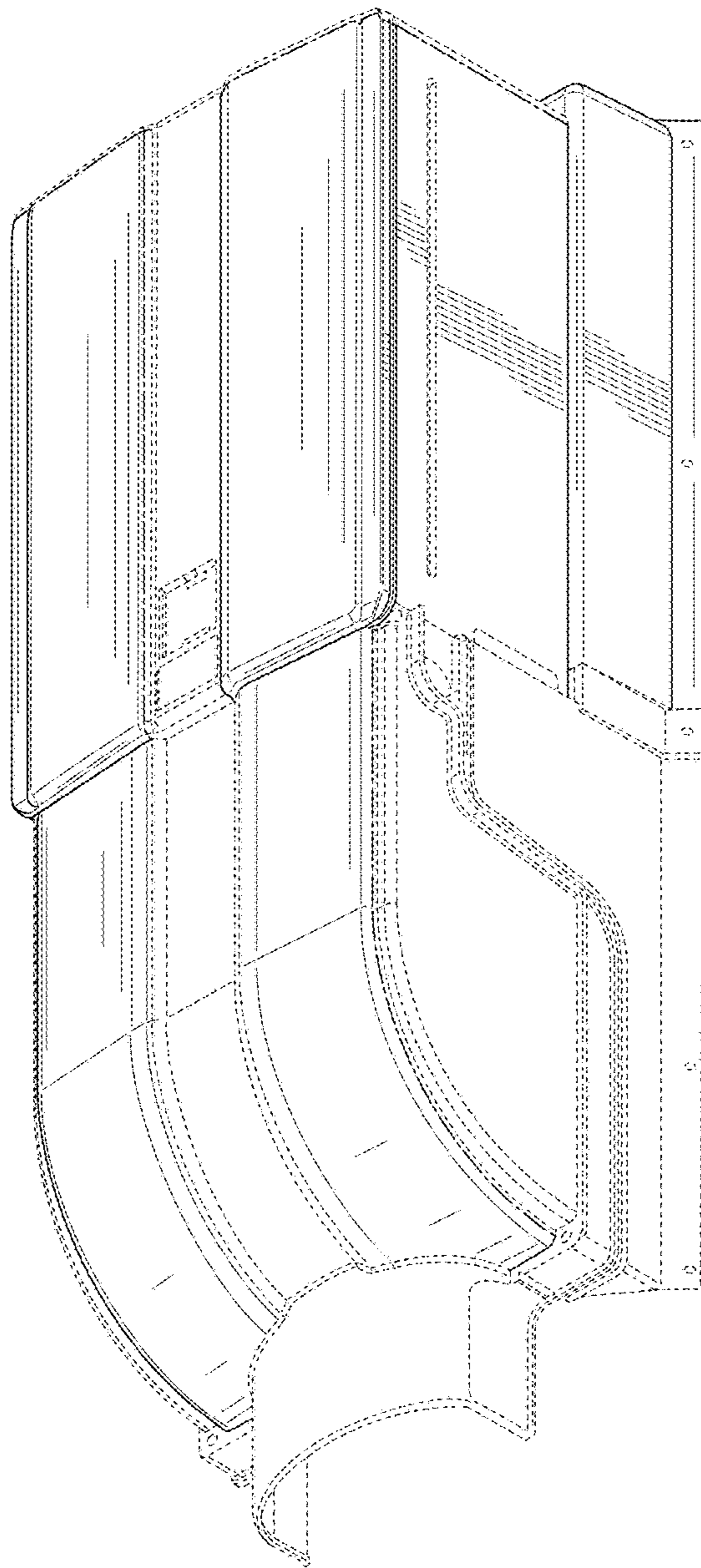


FIG. 2

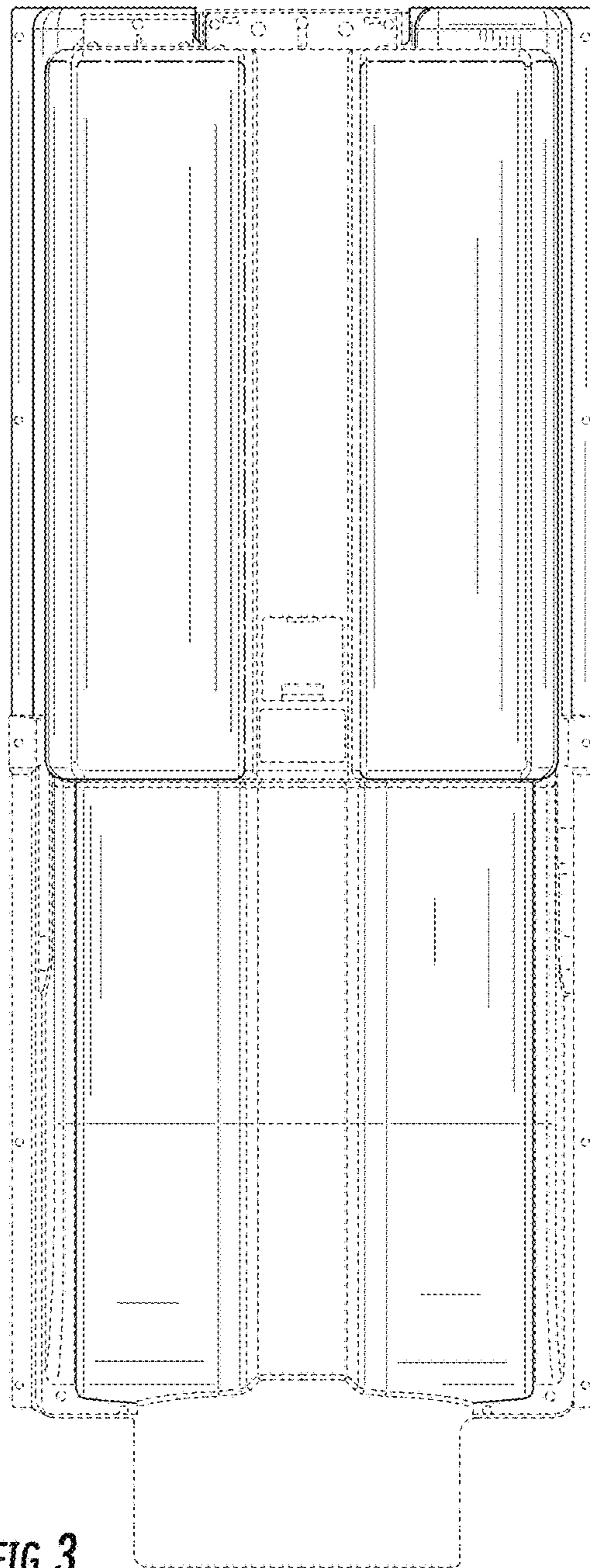


FIG. 3

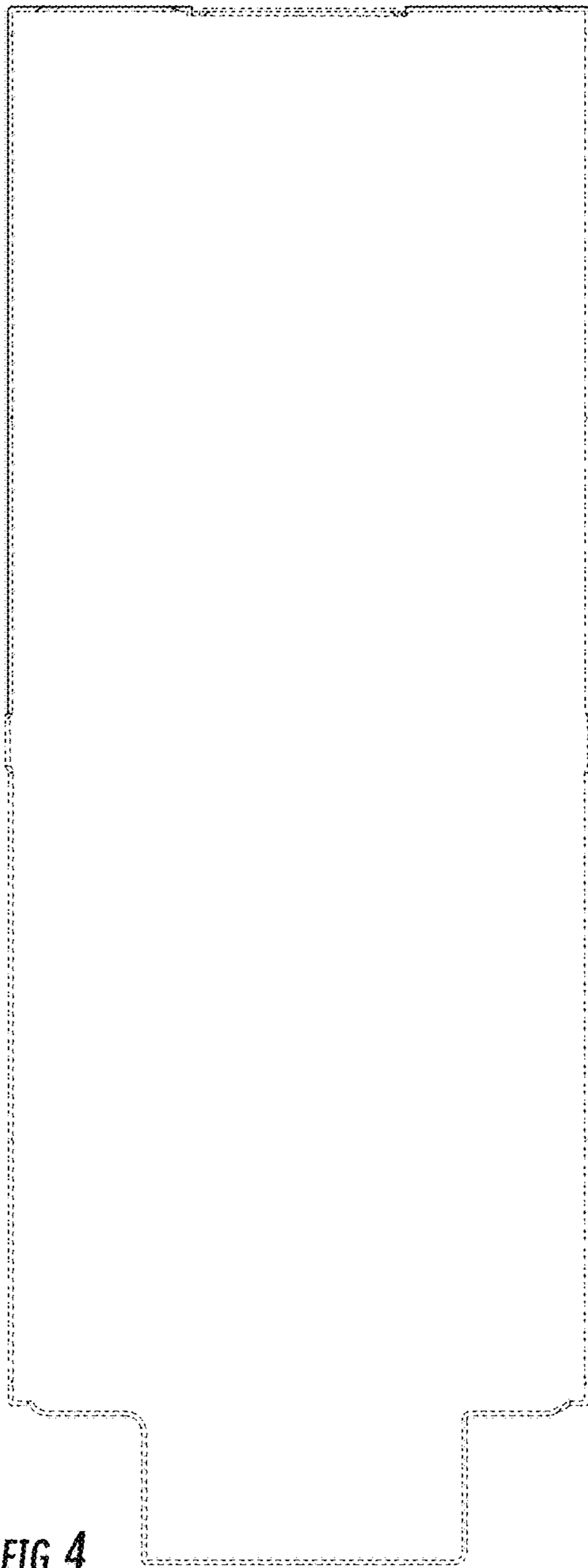
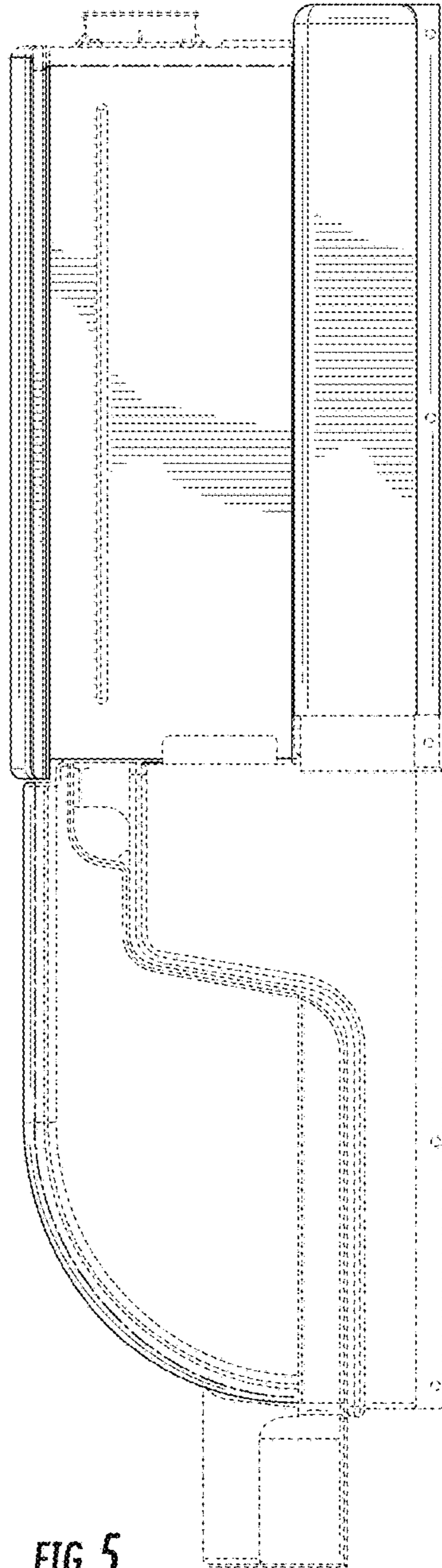
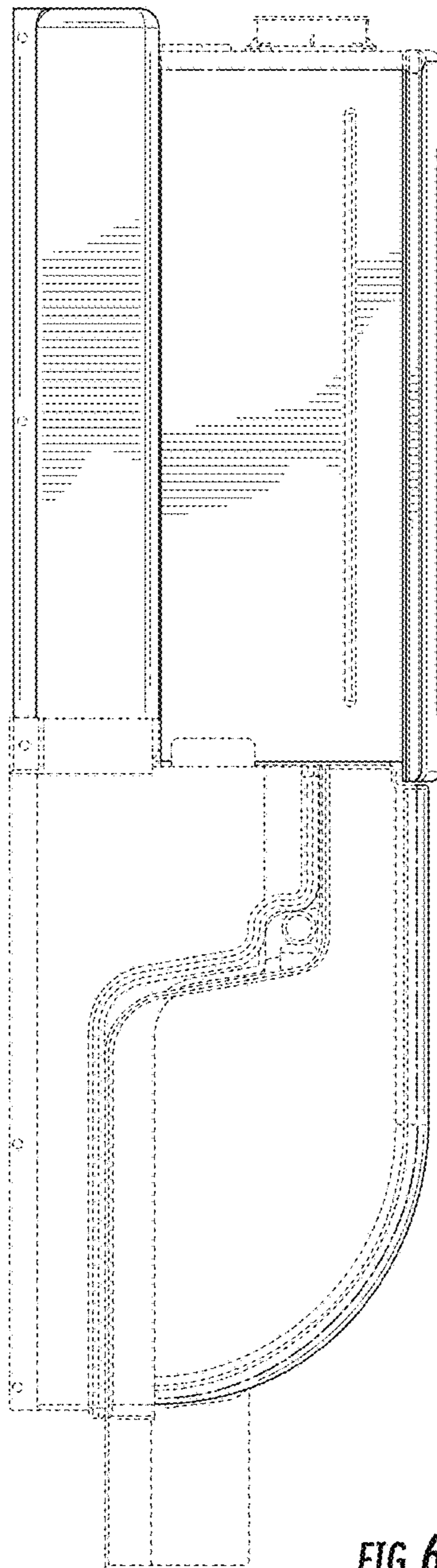


FIG. 4





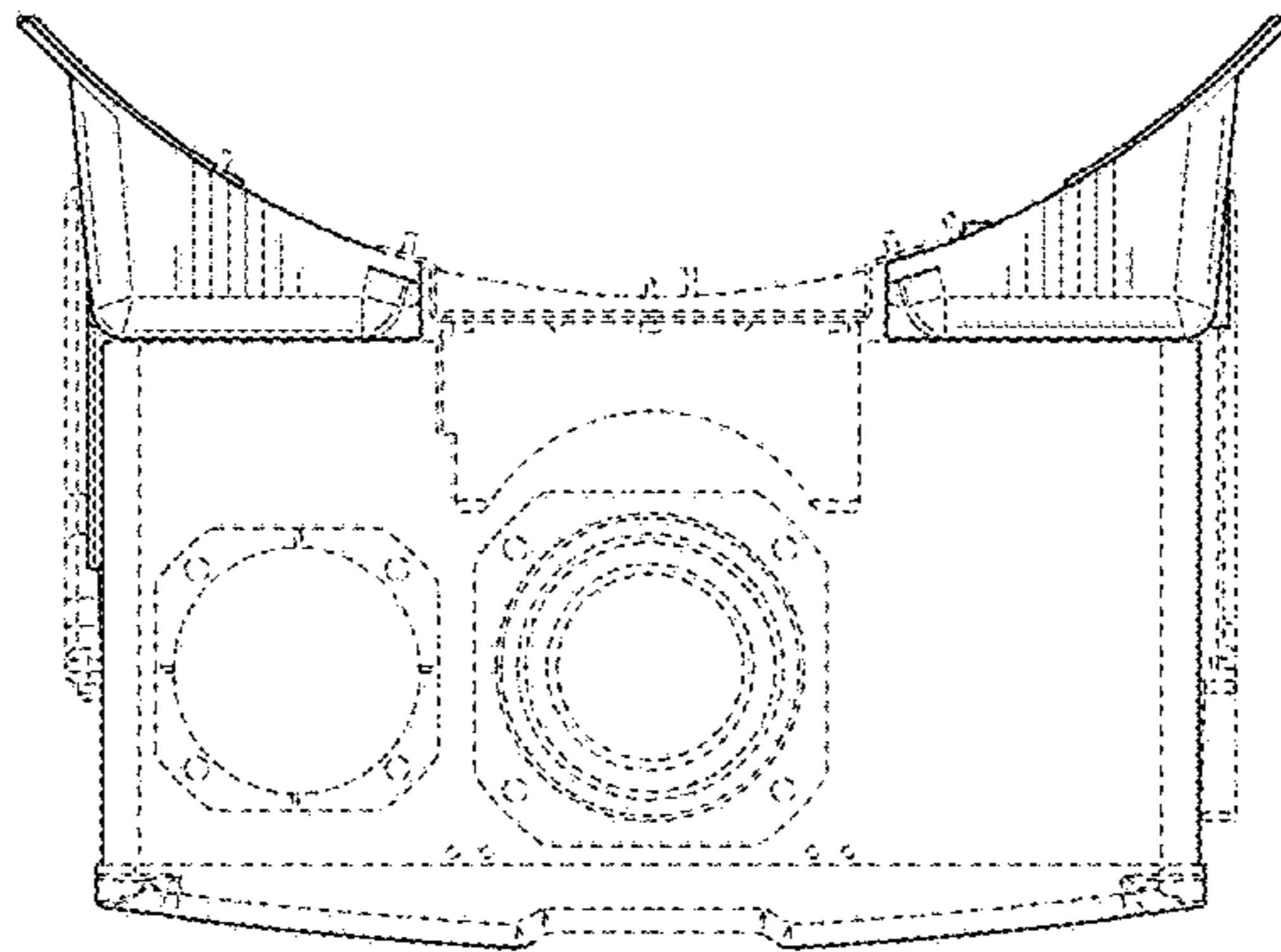


FIG. 7

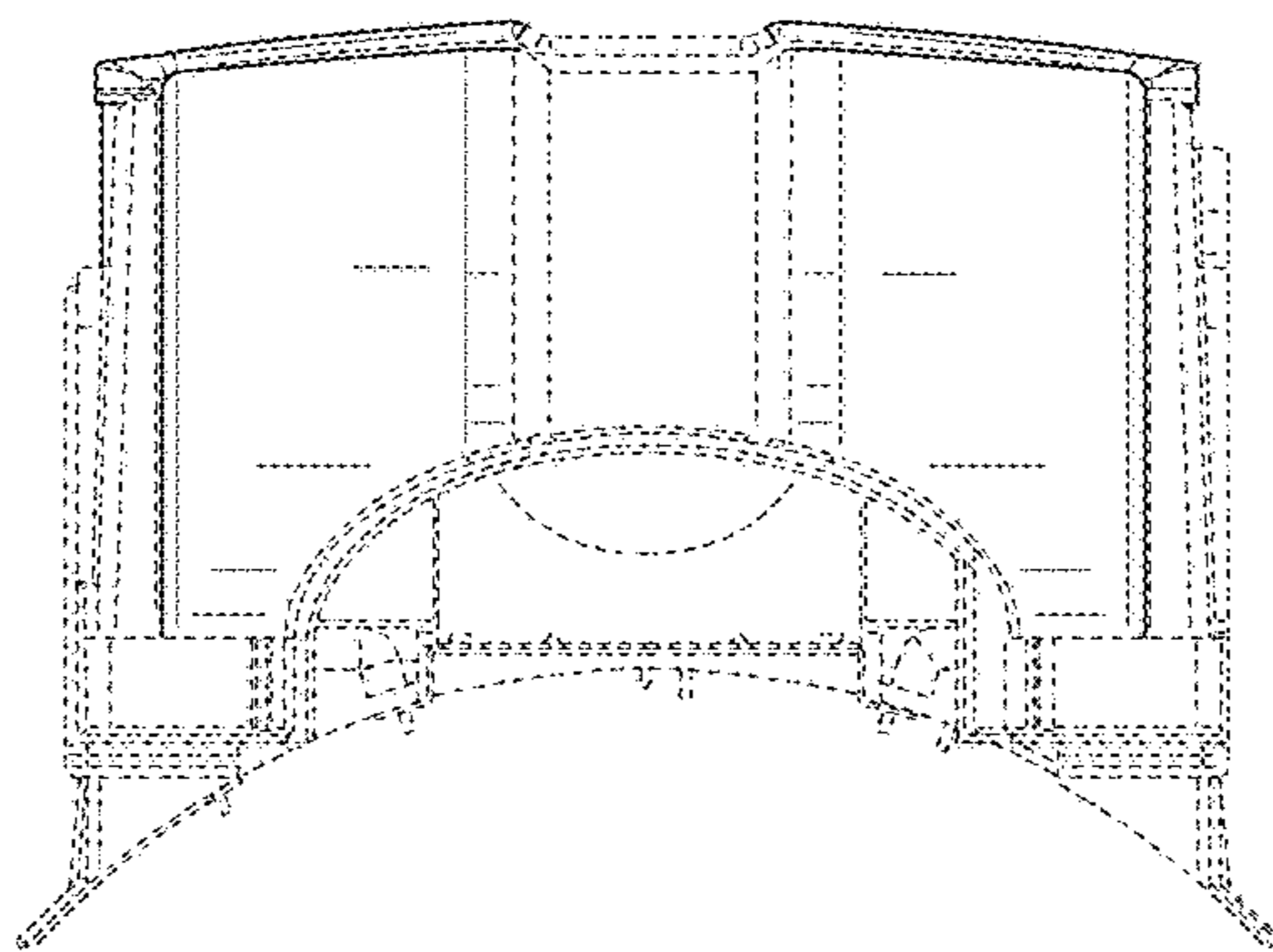


FIG. 8

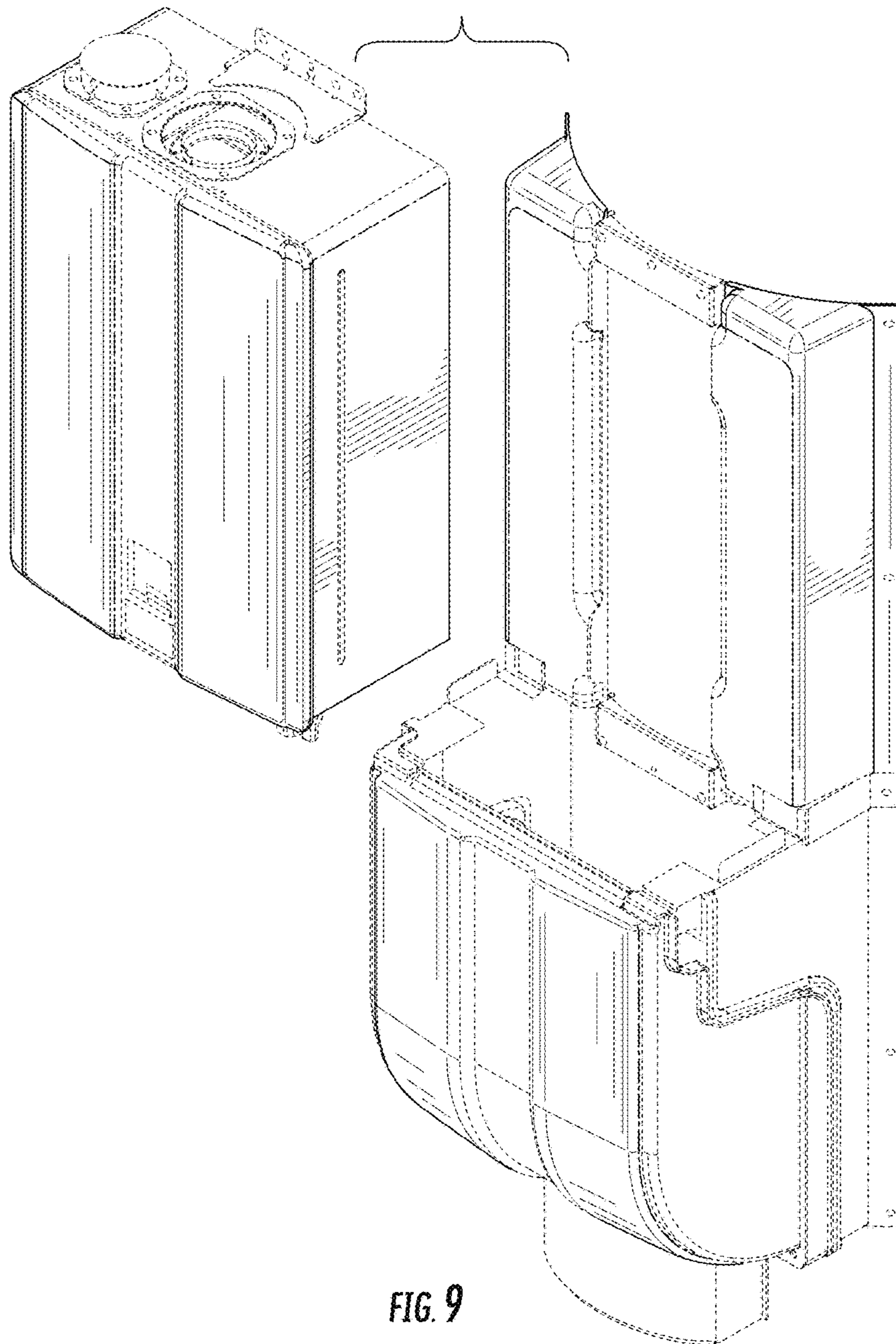


FIG. 9

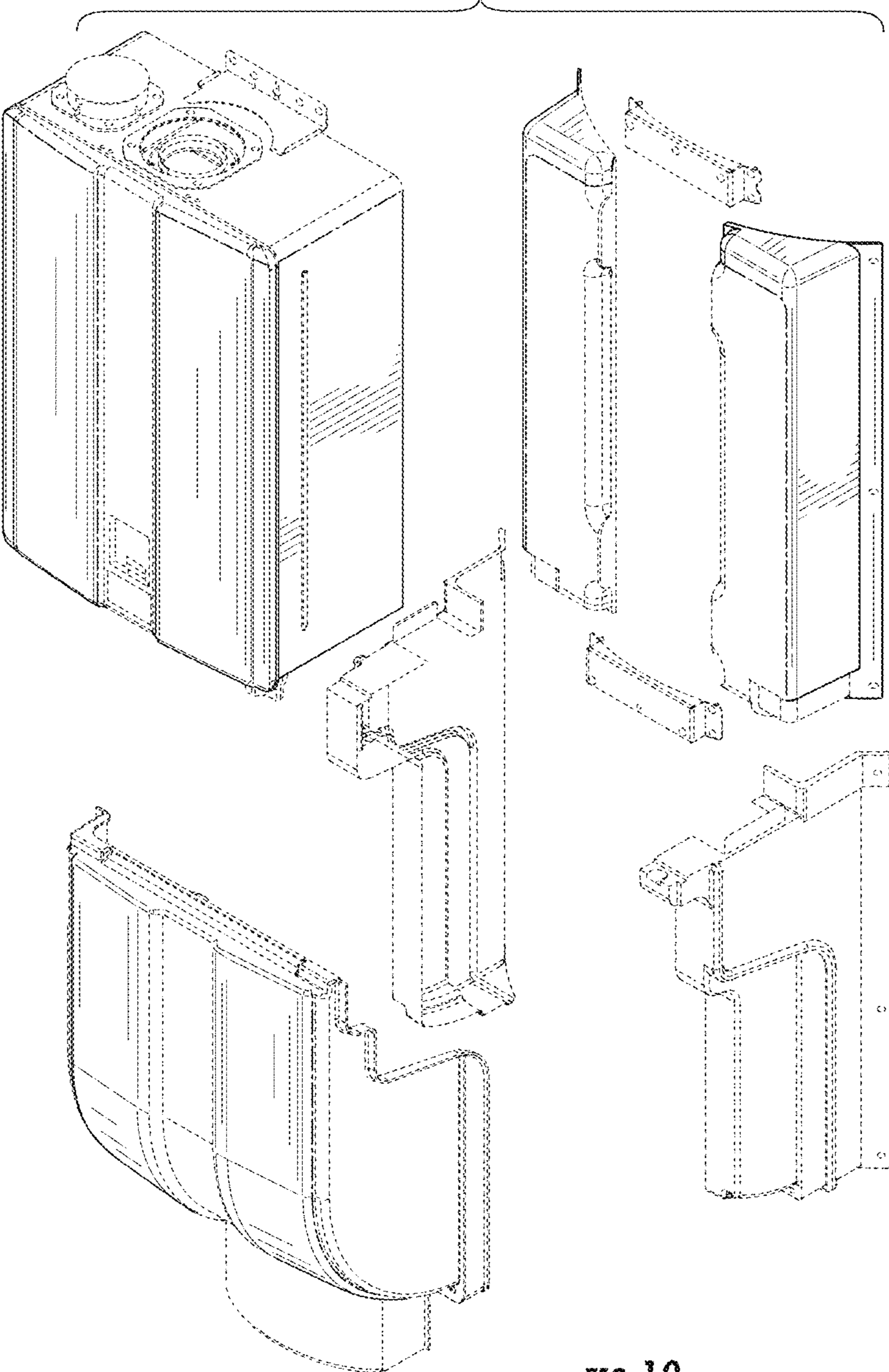


FIG. 10

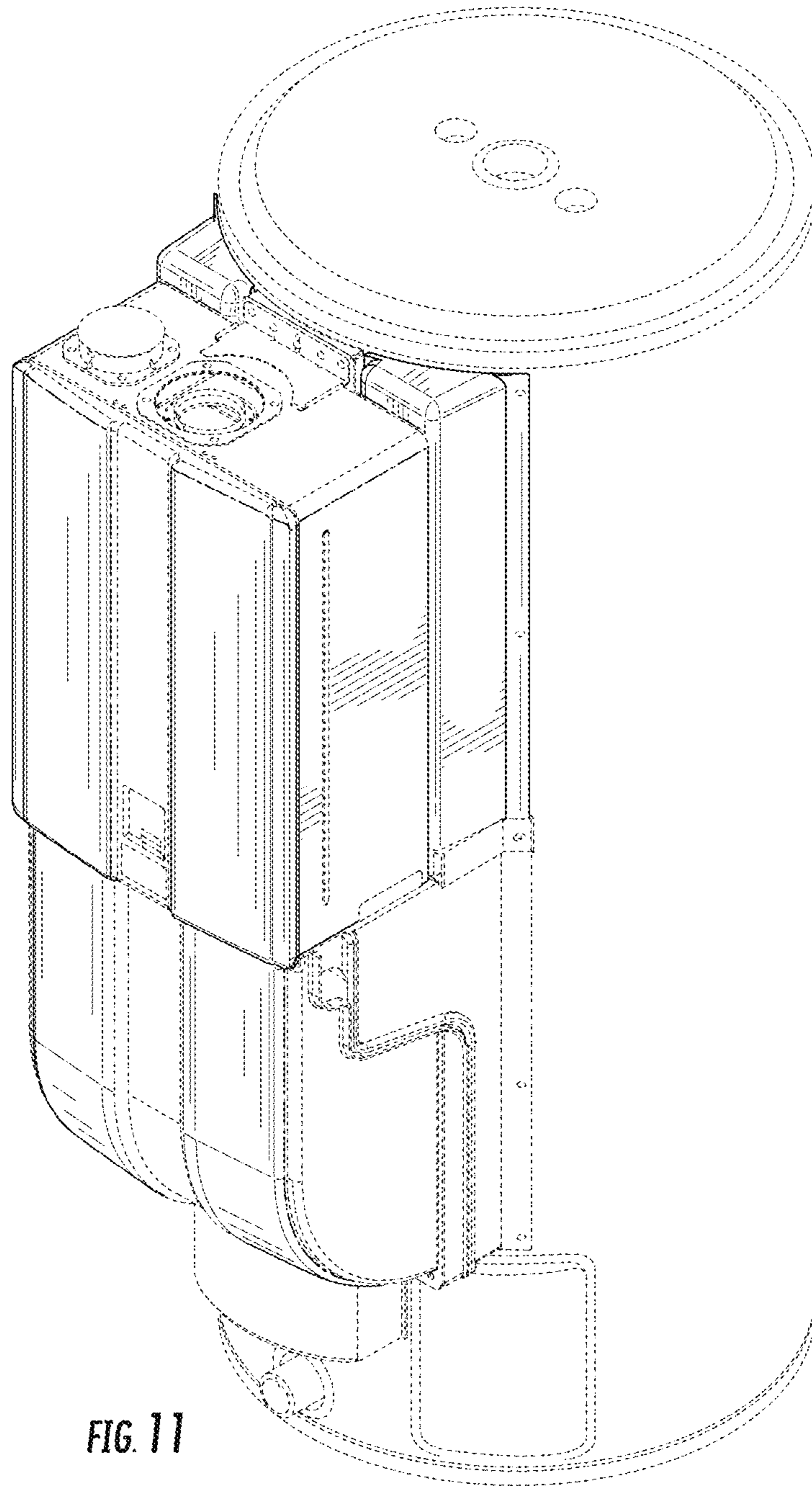


FIG. 11

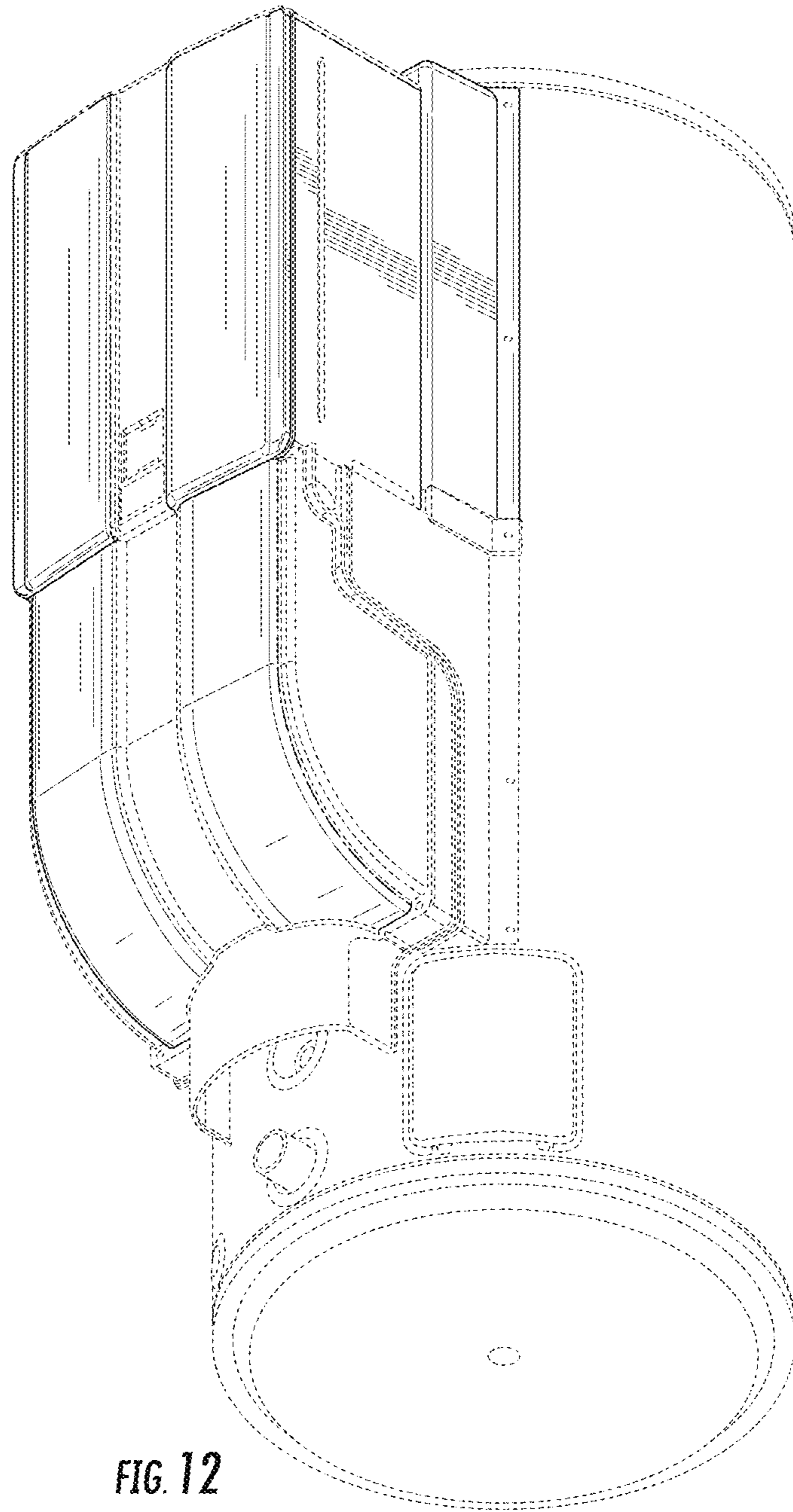


FIG. 12

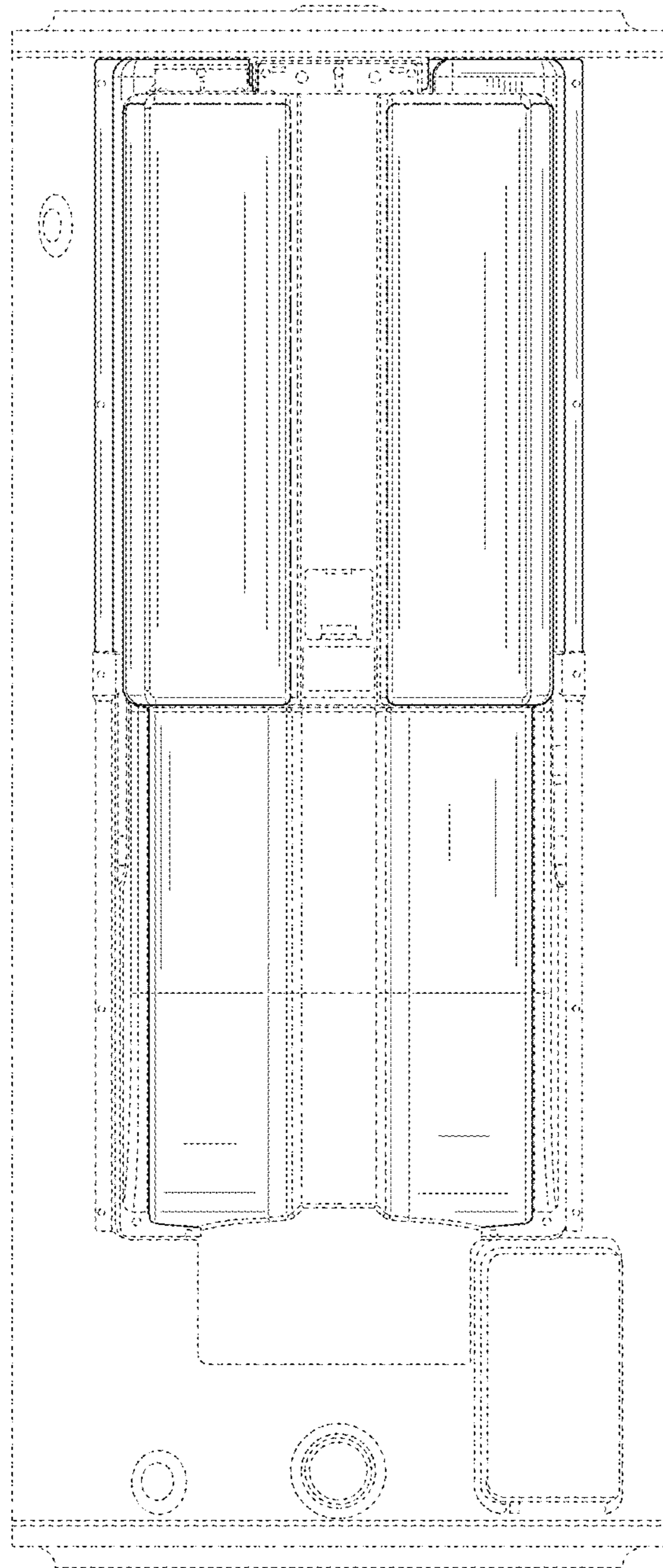
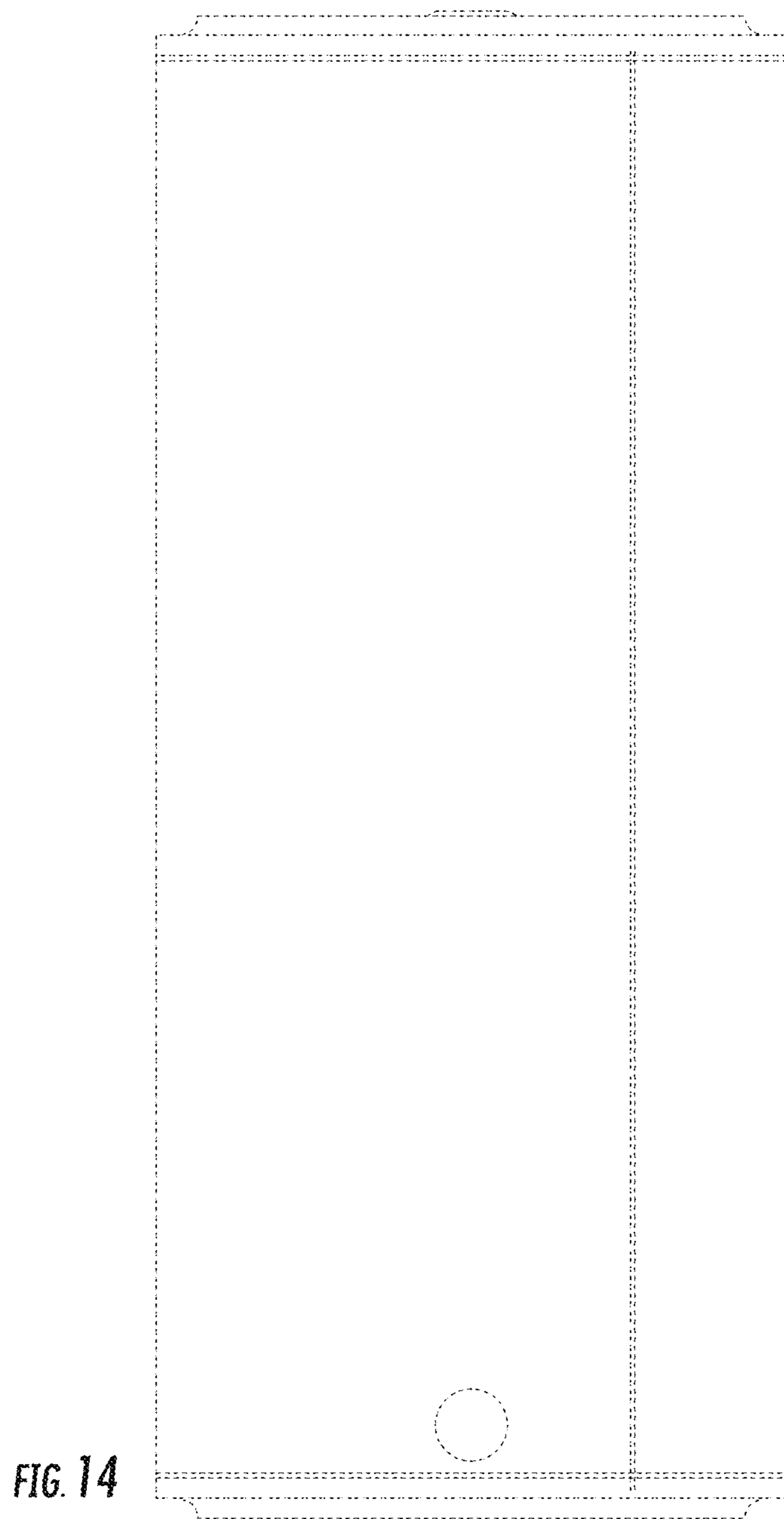
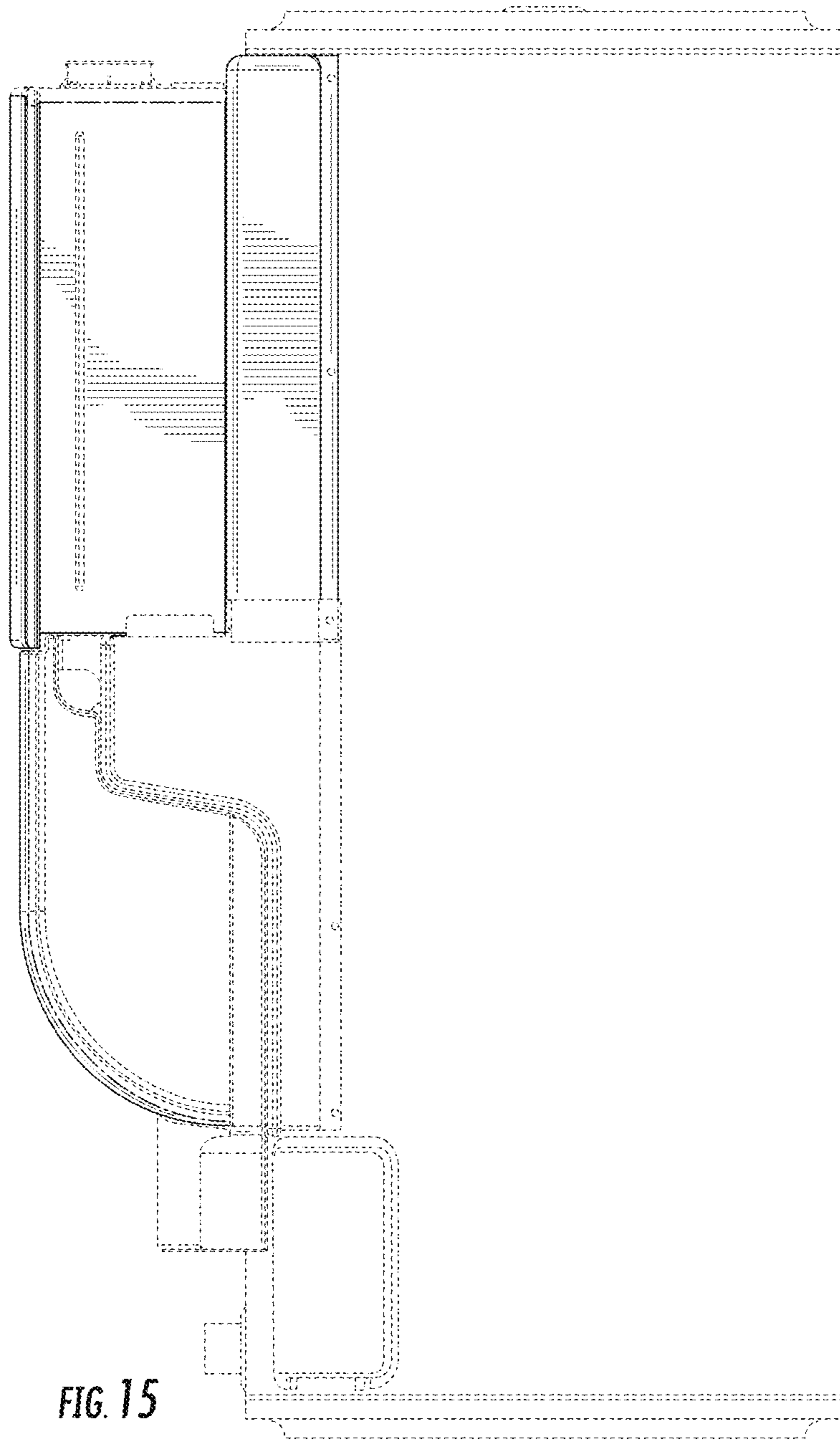


FIG. 13





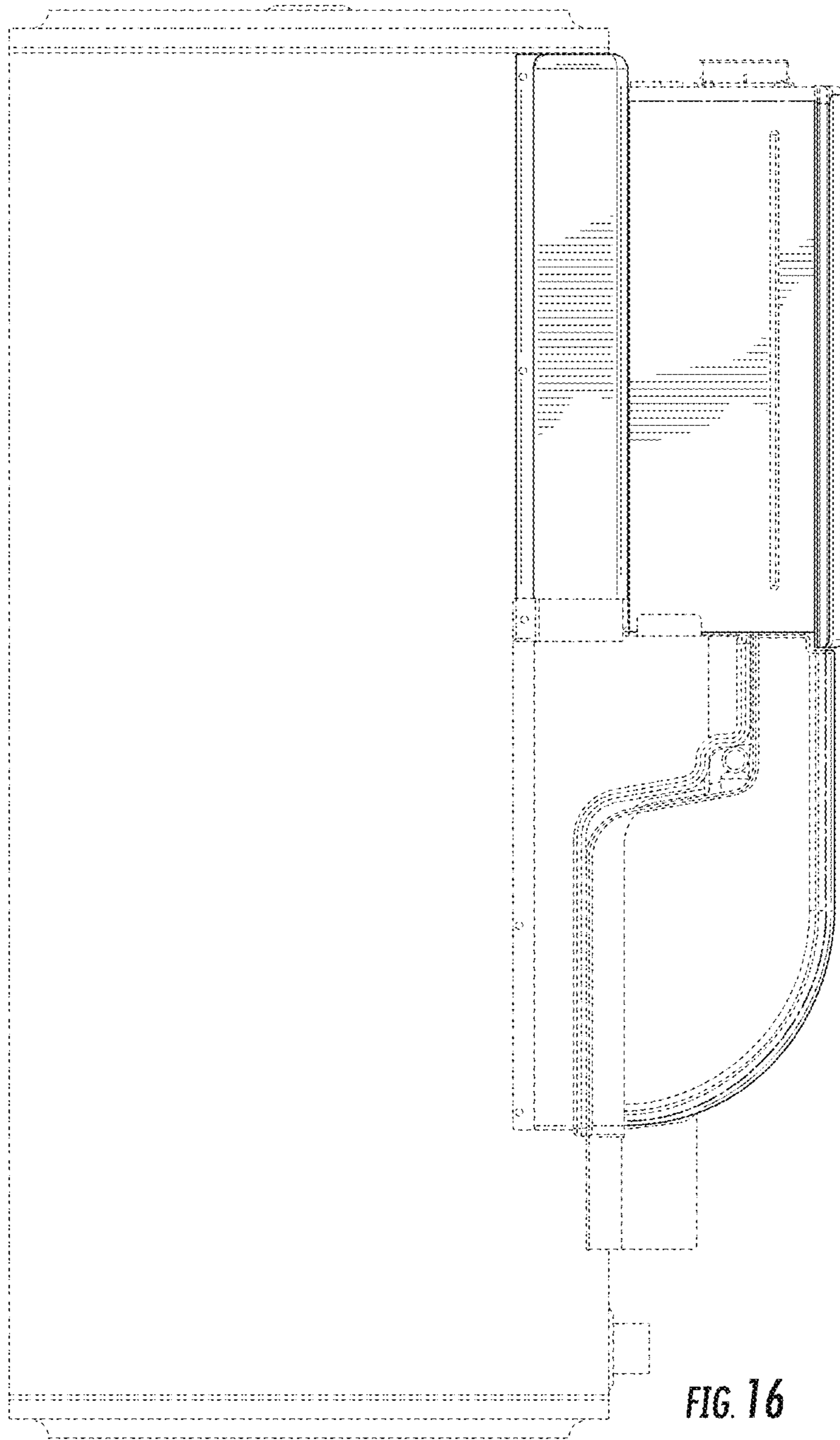


FIG. 16

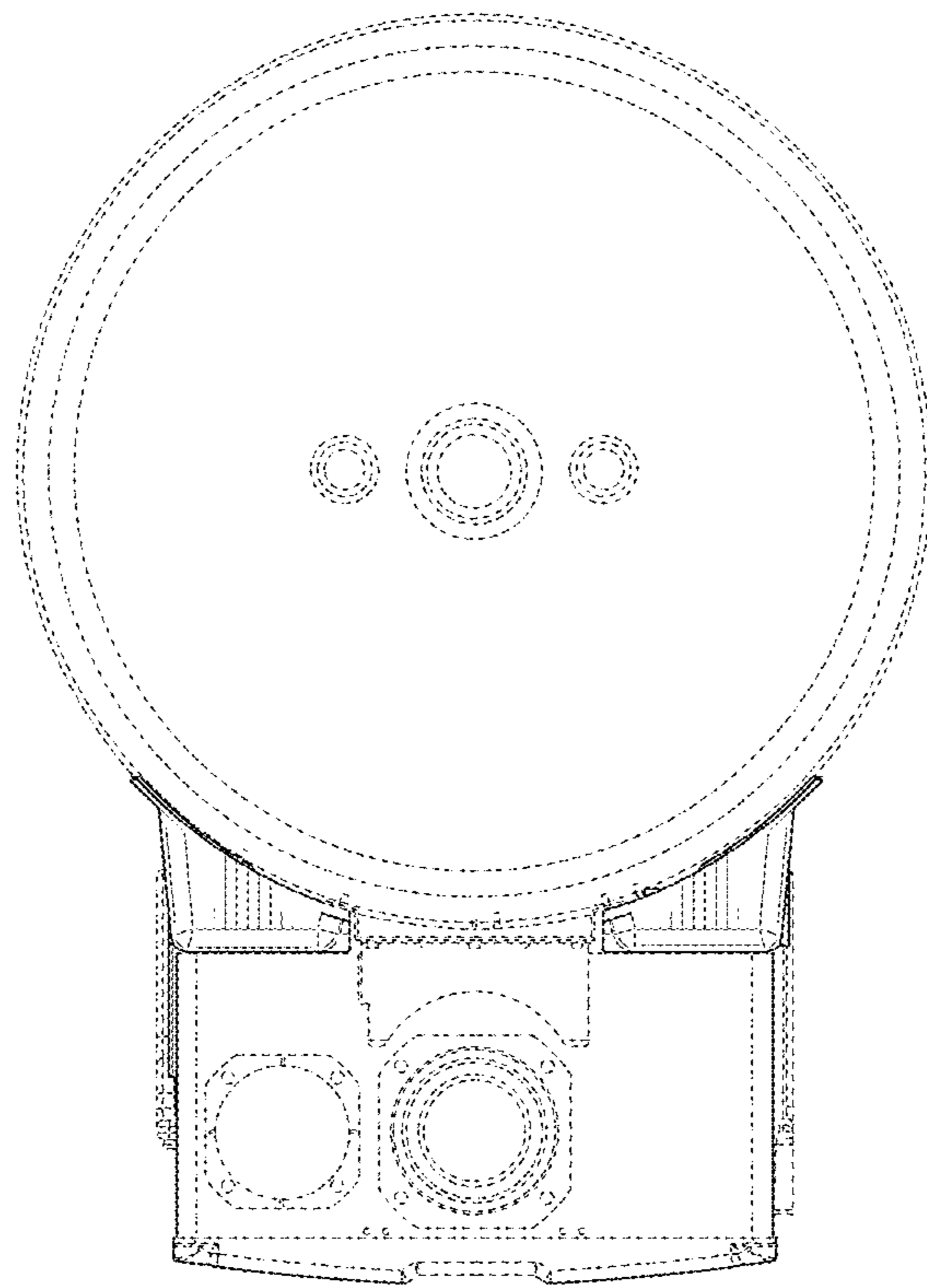


FIG. 17

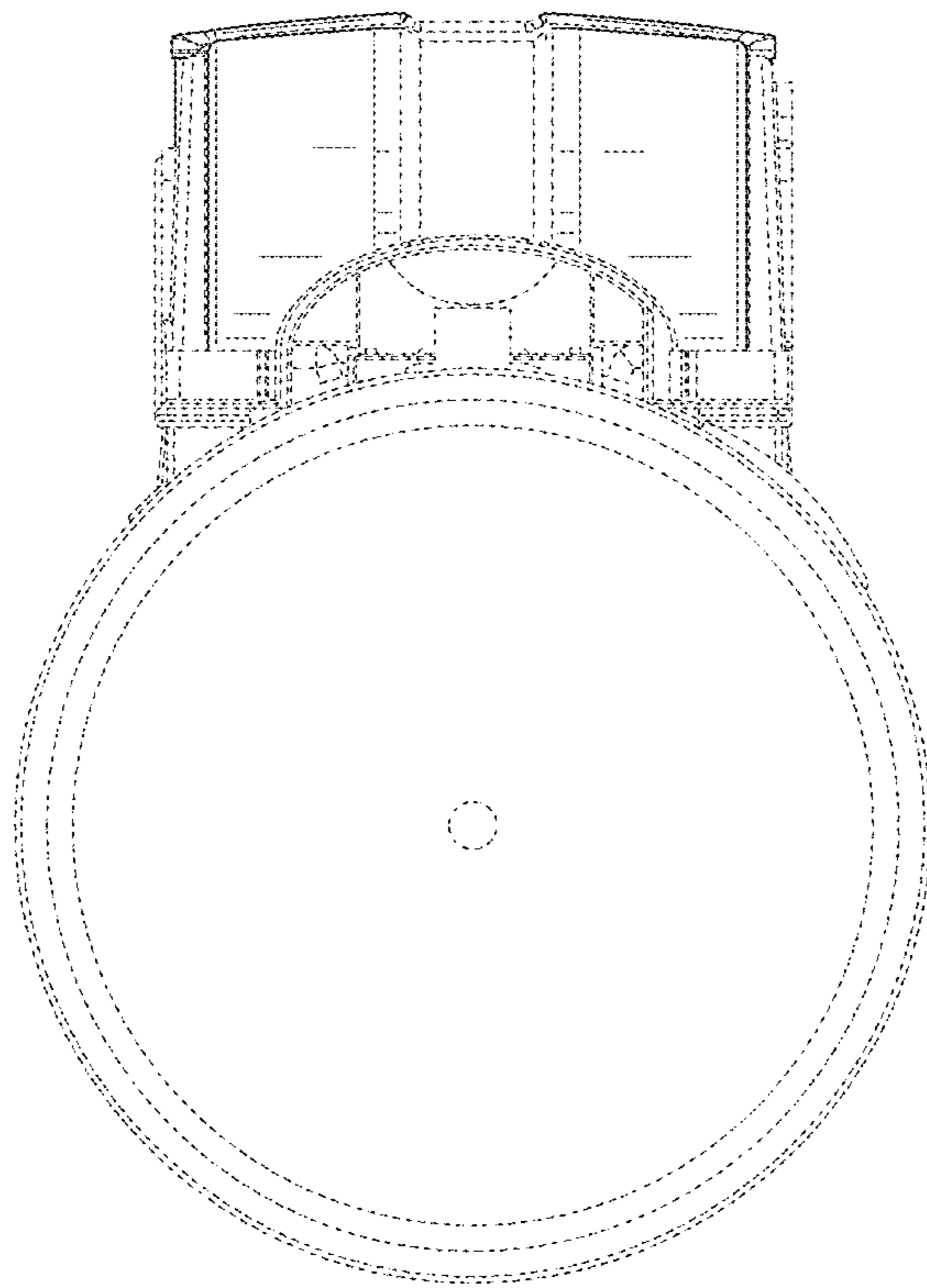


FIG. 18

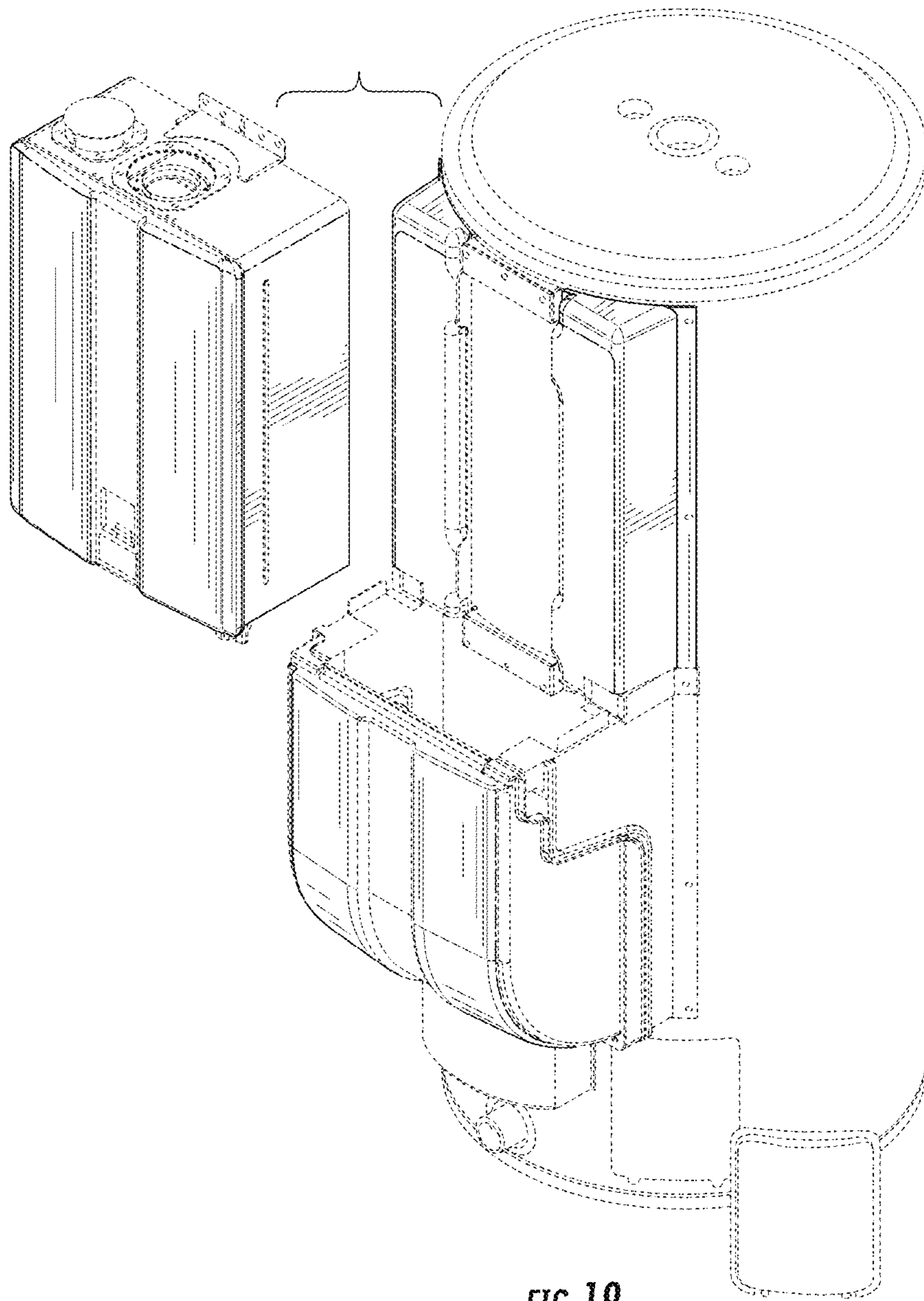


FIG. 19

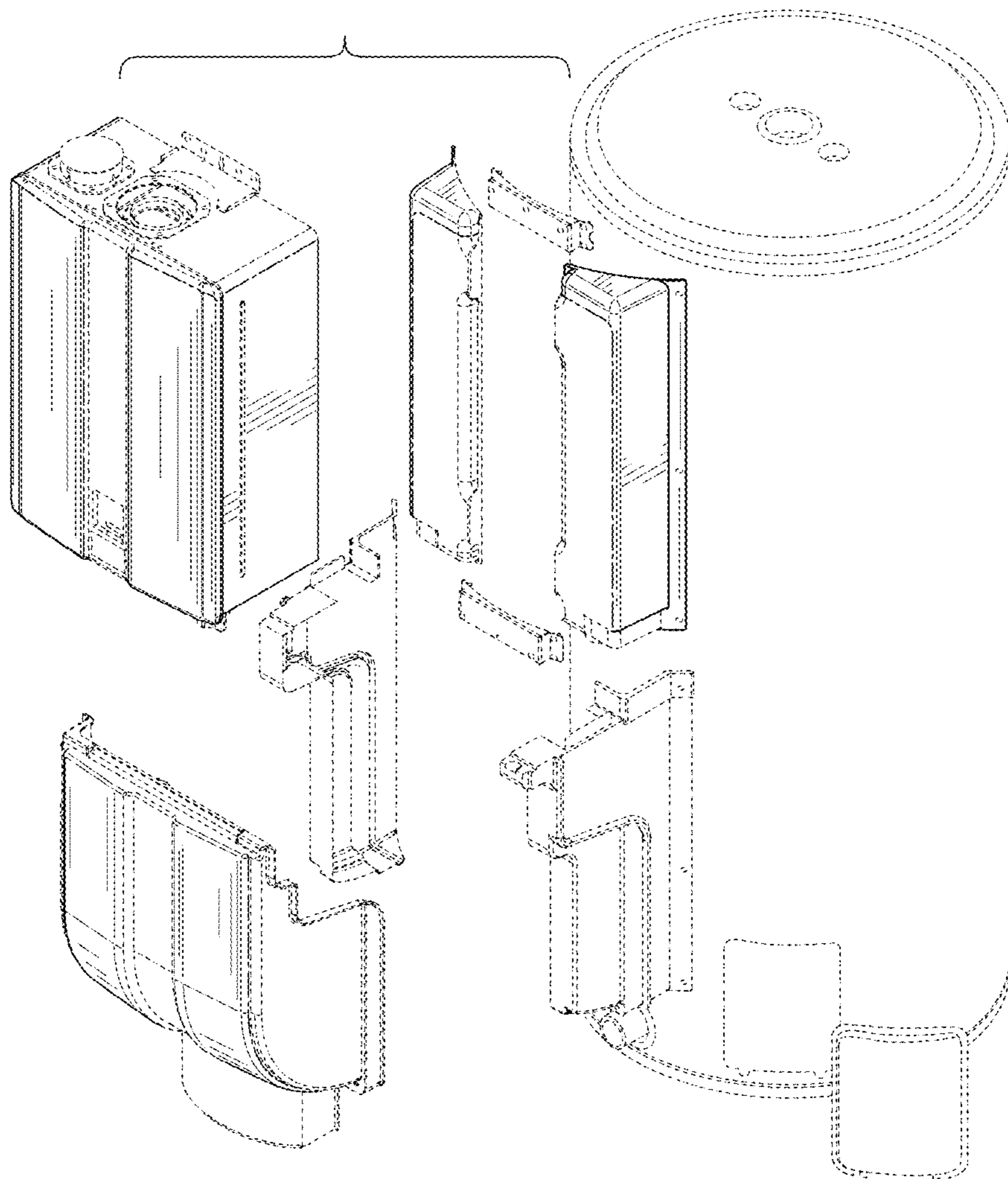


FIG. 20