



US00D859616S

(12) **United States Design Patent**  
**Zhang et al.**

(10) **Patent No.:** **US D859,616 S**  
(45) **Date of Patent:** **\*\* Sep. 10, 2019**

(54) **WATER HEATER**

(71) Applicant: **Shenzhen Envicool Technology Co., Ltd.**, Shenzhen, Guangdong Province (CN)

(72) Inventors: **Xiangyang Zhang**, Shenzhen (CN); **Bin Cheng**, Shenzhen (CN)

(73) Assignee: **Shenzhen Envicool Technology Co., Ltd.**, Shenzhen, Guangdong Province (CN)

(\*\*) Term: **15 Years**

(21) Appl. No.: **29/630,280**

(22) Filed: **Dec. 20, 2017**

(51) **LOC (12) Cl.** ..... **23-03**

(52) **U.S. Cl.**  
USPC ..... **D23/318**

(58) **Field of Classification Search**  
USPC ..... D23/314, 317, 318, 319, 320, 321, 329, D23/332, 342  
CPC . F24H 1/10; F24H 9/2028; F24H 9/02; F24H 9/128; F24H 9/2021; F24H 9/2007; F24H 9/0005; F24H 4/00; F24H 2/142; F24H 9/2071; F24H 9/2064; F24H 1/06  
See application file for complete search history.

(56) **References Cited**

**U.S. PATENT DOCUMENTS**

D570,974 S \* 6/2008 Nanbu ..... D23/318  
D804,623 S \* 12/2017 Yamaguchi ..... D23/318

D831,804 S \* 10/2018 Fritz ..... D23/318  
D833,589 S \* 11/2018 Shono ..... D23/318  
D839,403 S \* 1/2019 Shono ..... D23/318  
D842,443 S \* 3/2019 Shono ..... D23/318  
2012/0079995 A1\* 4/2012 Jacques ..... F24H 9/148  
122/19.2  
2018/0058720 A1\* 3/2018 Ando ..... F24H 9/0005

\* cited by examiner

*Primary Examiner* — T Chase Nelson  
*Assistant Examiner* — Ania Aman

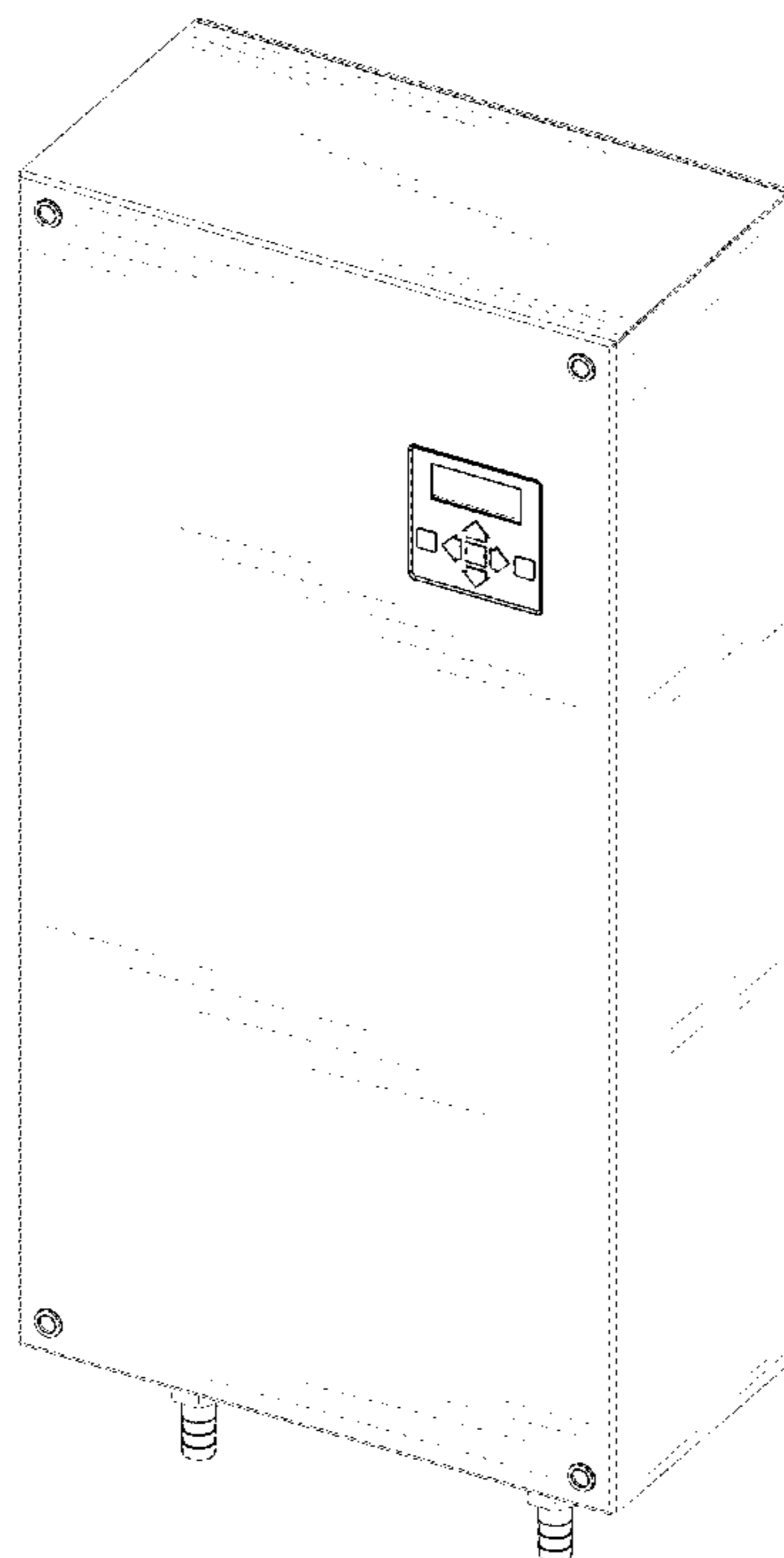
(57) **CLAIM**

The ornamental design for a water heater, as shown and described.

**DESCRIPTION**

FIG. 1 is a perspective view of a water heater;  
FIG. 2 is another perspective view of the water heater of FIG. 1;  
FIG. 3 is a front view of the water heater of FIG. 1;  
FIG. 4 is a rear view of the water heater of FIG. 1;  
FIG. 5 is a left view of the water heater of FIG. 1;  
FIG. 6 is a right view of the water heater of FIG. 1;  
FIG. 7 is a top view of the water heater of FIG. 1; and,  
FIG. 8 is a bottom view of the water heater of FIG. 1.  
The design is a water heater intended for heating water.

**1 Claim, 8 Drawing Sheets**



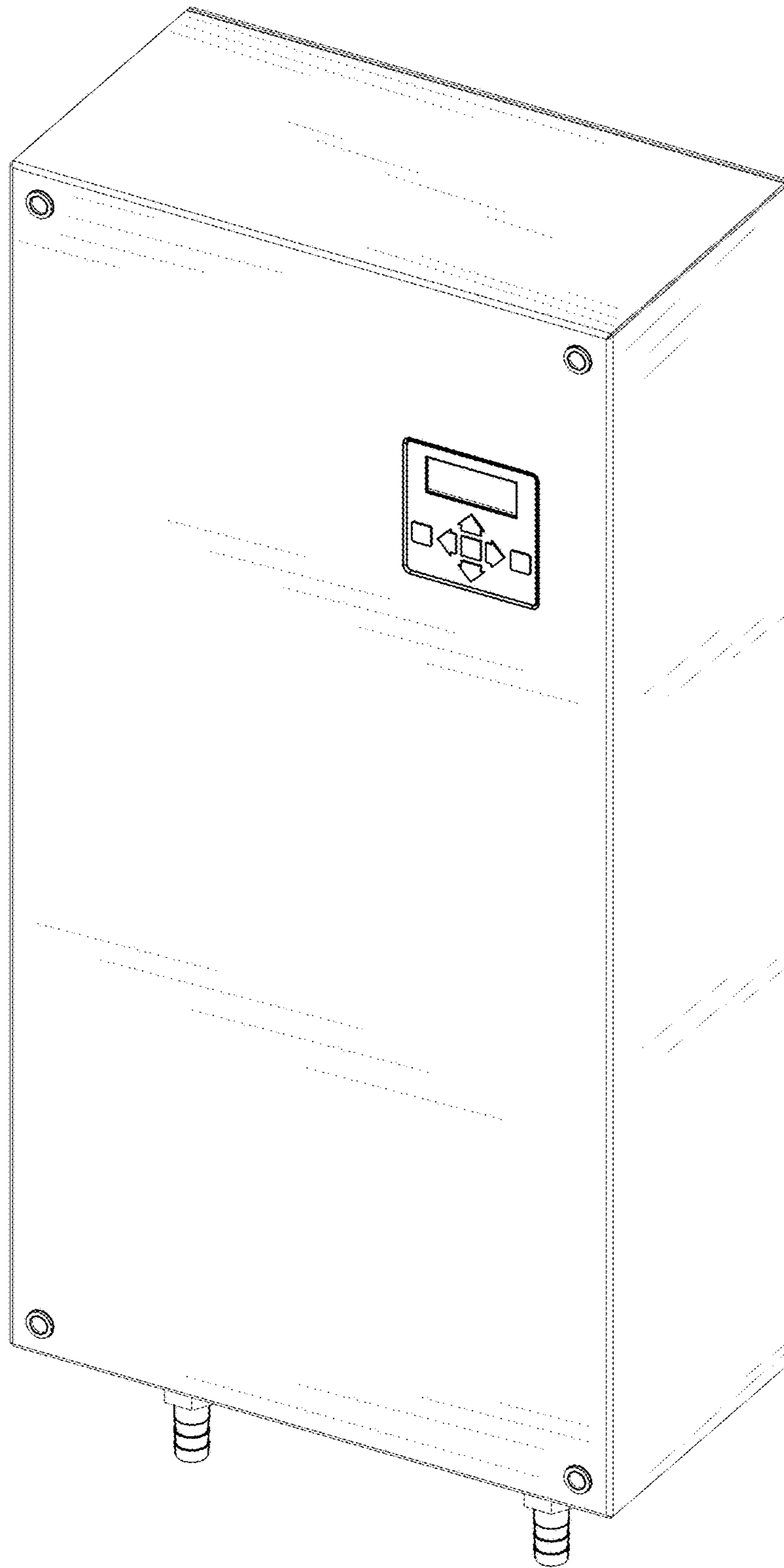


FIG.1

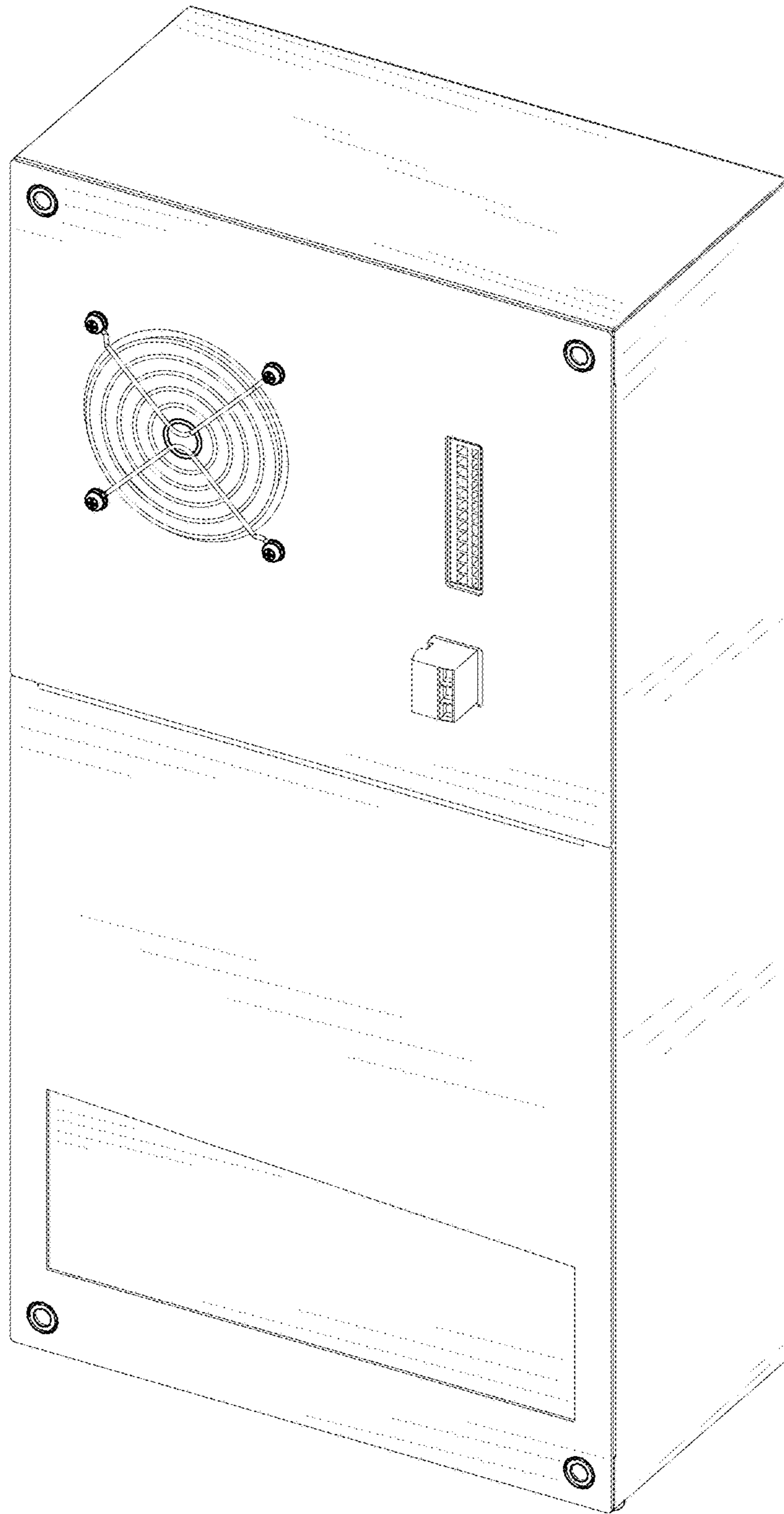


FIG.2

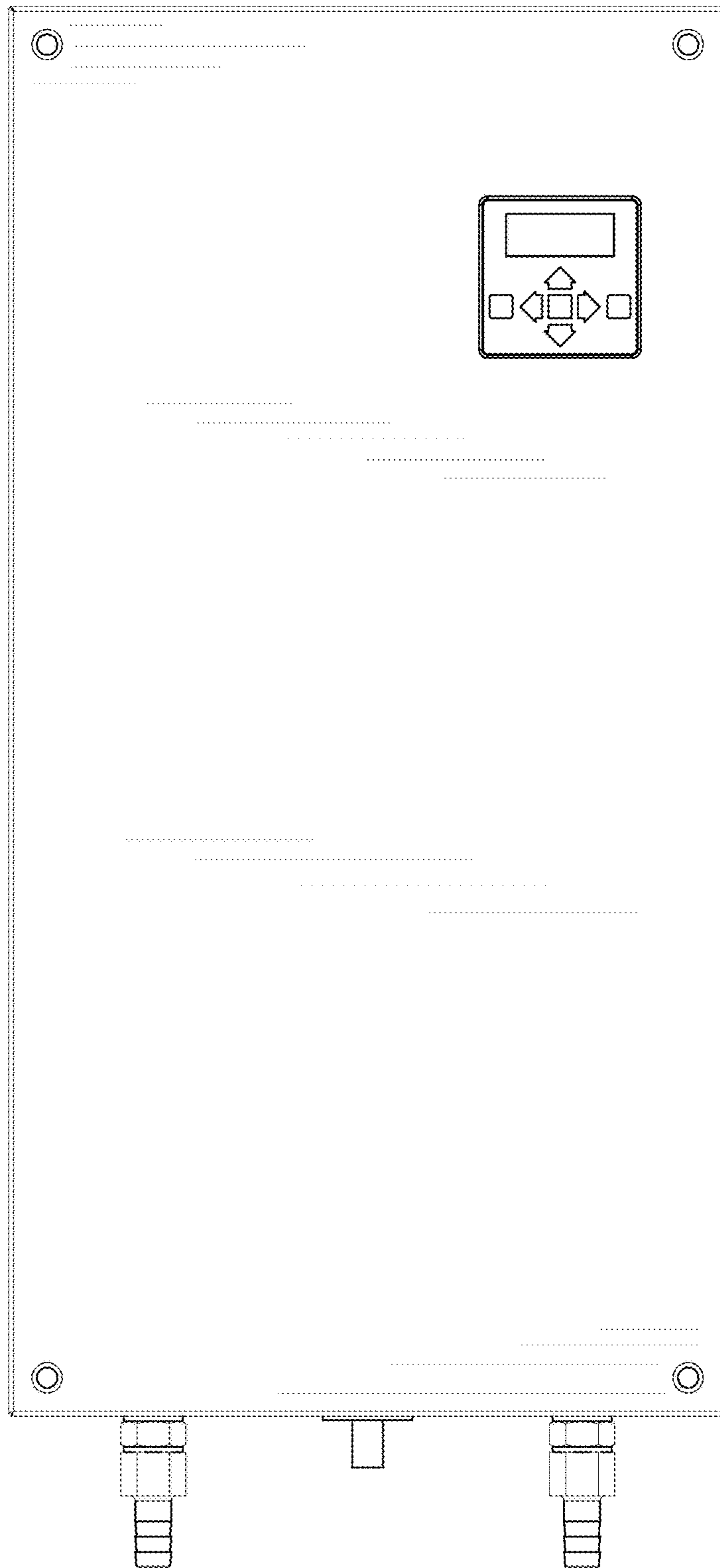


FIG.3

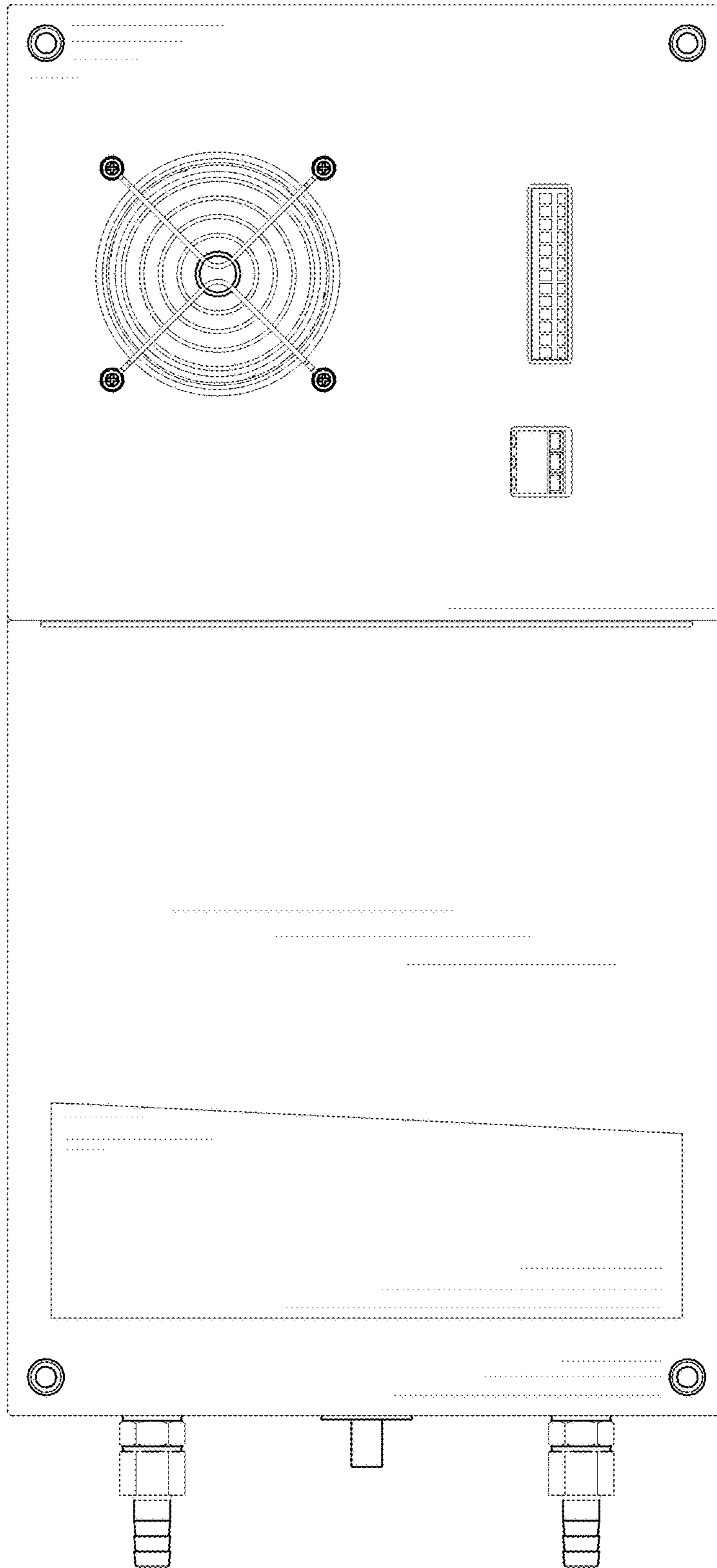


FIG.4

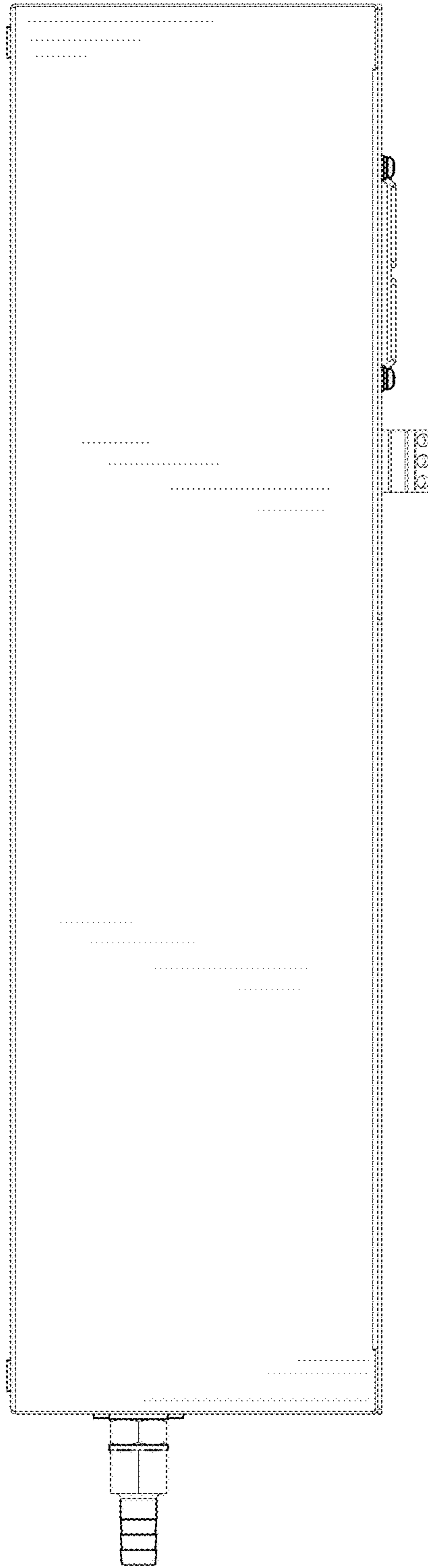


FIG.5

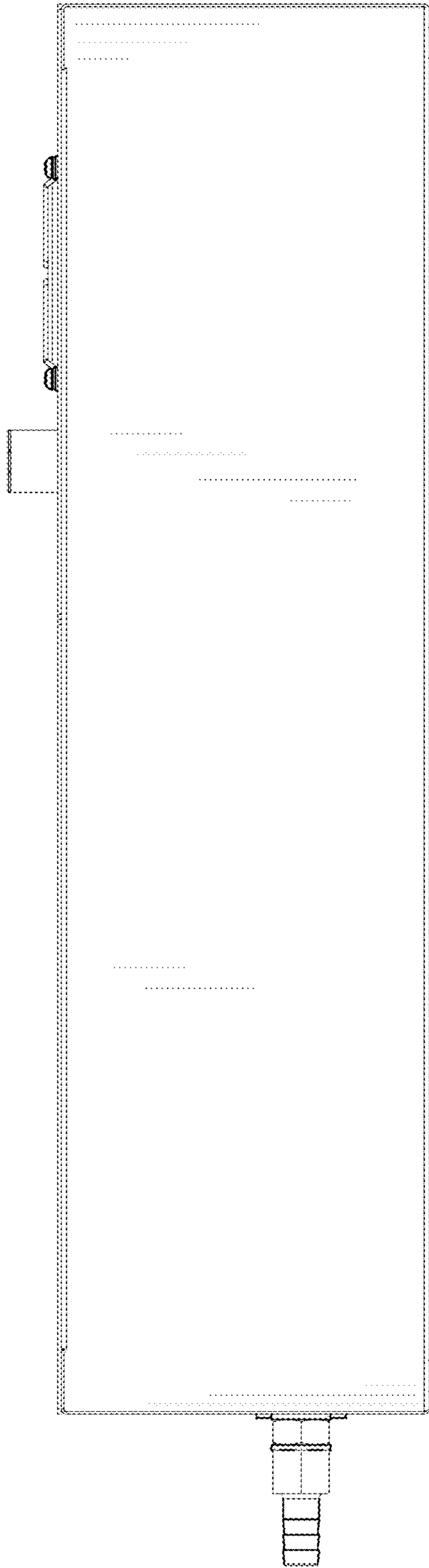


FIG.6

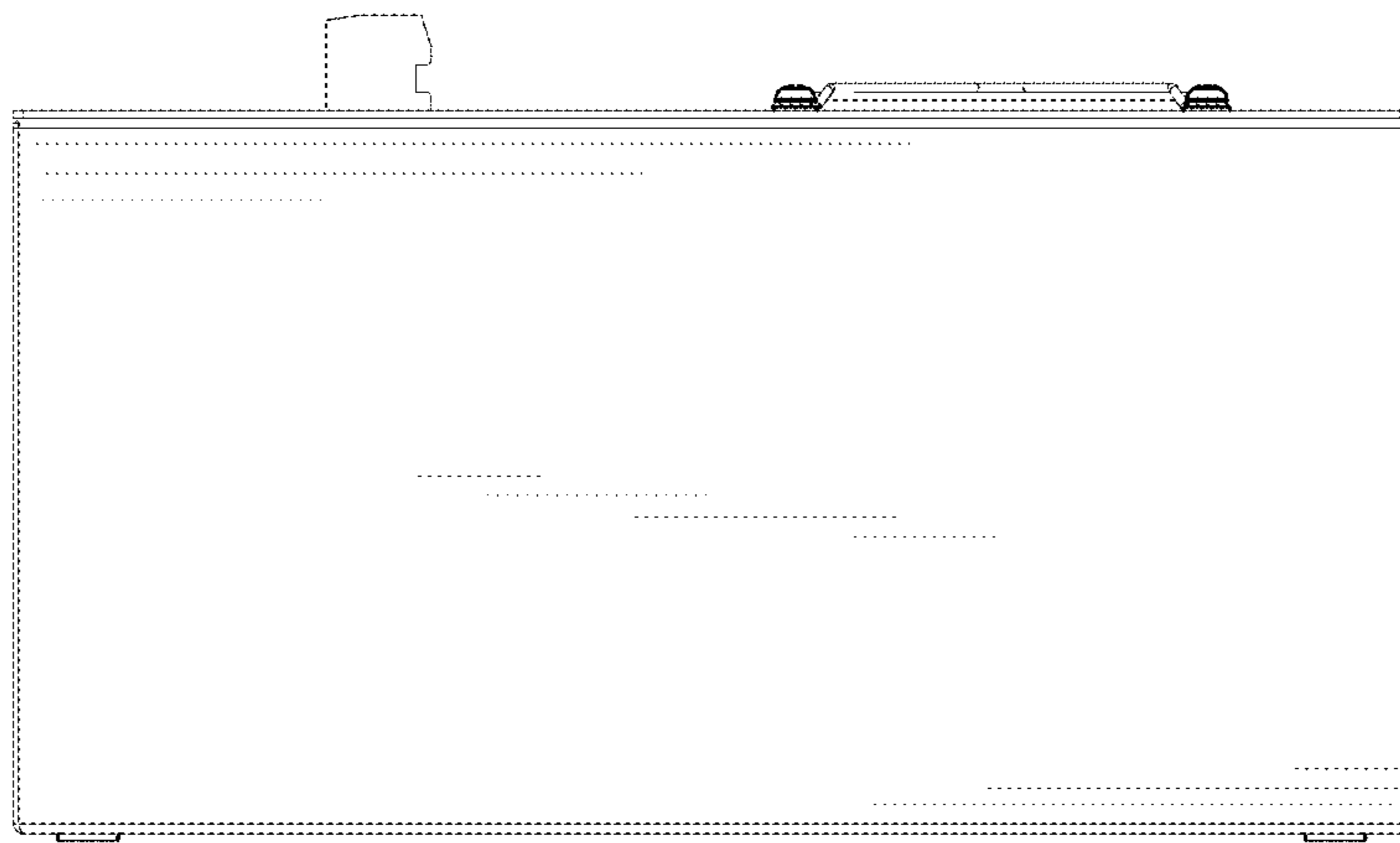


FIG. 7



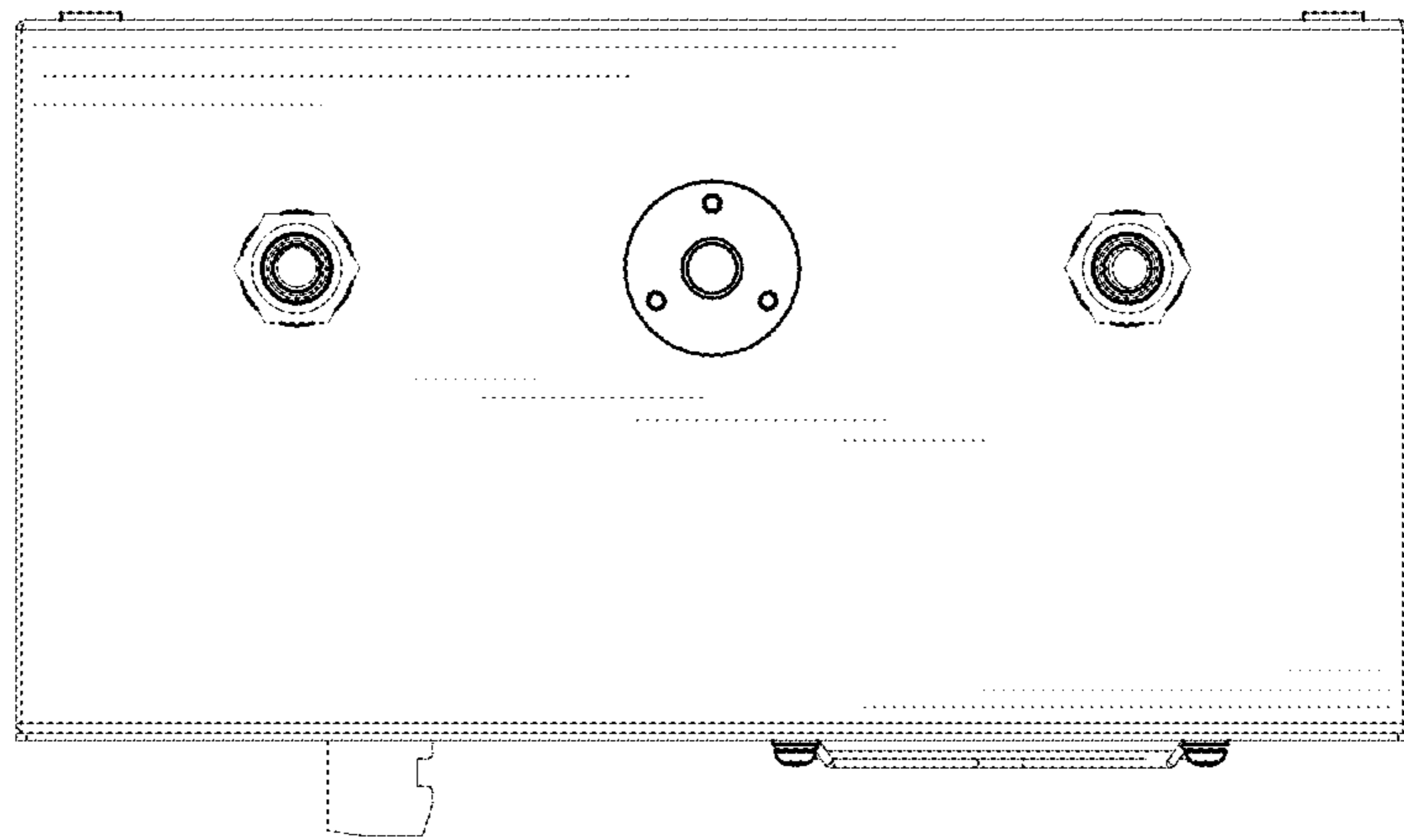


FIG.8