



US00D859614S

(12) **United States Design Patent** (10) **Patent No.:** **US D859,614 S**  
**Bucher et al.** (45) **Date of Patent:** **\*\* Sep. 10, 2019**

(54) **SHOWER BASE**  
(71) Applicant: **AS America, Inc.**, Piscataway, NJ (US)  
(72) Inventors: **Christophe Bucher**, Hillsborough, NJ (US); **Calum Wagner**, Brooklyn, NY (US)

D750,764 S \* 3/2016 DeSocio ..... D23/304  
9,462,916 B2 10/2016 Adams  
D776,246 S 1/2017 Licini  
D785,148 S 4/2017 Licini  
9,611,634 B2 4/2017 Erlebach  
D792,954 S 7/2017 Sander et al.  
2006/0191067 A1 8/2006 Sadler  
2008/0148474 A1 6/2008 Witt

(Continued)

(73) Assignee: **AS America, Inc.**, Piscataway, NJ (US)

(\*\*) Term: **15 Years**

FOREIGN PATENT DOCUMENTS

(21) Appl. No.: **29/637,922**

CA 2514275 A1 \* 2/2006 ..... A47K 3/40  
DE 101 31 338 9/2002

(Continued)

(22) Filed: **Feb. 22, 2018**

(51) **LOC (12) Cl.** ..... **23-02**

(52) **U.S. Cl.**  
USPC ..... **D23/304**

(58) **Field of Classification Search**  
USPC ..... D23/303, 304, 305, 275, 277, 283;  
D32/55, 56; D6/524, 708.21  
CPC ..... A47K 3/40; A47K 3/405; A47K 3/022;  
A47K 3/28; A47K 3/282

See application file for complete search history.

OTHER PUBLICATIONS

Mincey Marble Manufacturing. (2006) "Installation Instructions for Mincey Marble Manufacturing's Standard Cast Marble Trench Drain Shower Pan—Residence Inn by Marriott"; 3 pages.

(Continued)

*Primary Examiner* — Sheryl Lane

*Assistant Examiner* — Samantha N Wood

(74) *Attorney, Agent, or Firm* — Morrison & Foerster LLP

(56) **References Cited**

U.S. PATENT DOCUMENTS

D351,019 S \* 9/1994 Moore ..... D23/283  
D480,455 S 10/2003 Painter et al.  
D486,208 S 2/2004 Piatt et al.  
D532,877 S 11/2006 Hisey  
D540,926 S \* 4/2007 Flores ..... D23/304  
D541,913 S \* 5/2007 Piatt ..... D23/304  
D596,721 S 7/2009 Hisey  
D596,722 S 7/2009 Hisey  
D609,316 S 2/2010 Hisey  
D611,129 S \* 3/2010 Hisey ..... D23/304  
D612,027 S \* 3/2010 Hisey ..... D23/304  
D612,180 S 3/2010 Mayer  
D613,839 S \* 4/2010 Hisey ..... D23/304  
7,739,757 B2 6/2010 Witt  
8,474,068 B2 7/2013 Kik, Sr. et al.  
D731,630 S 6/2015 DeSocio

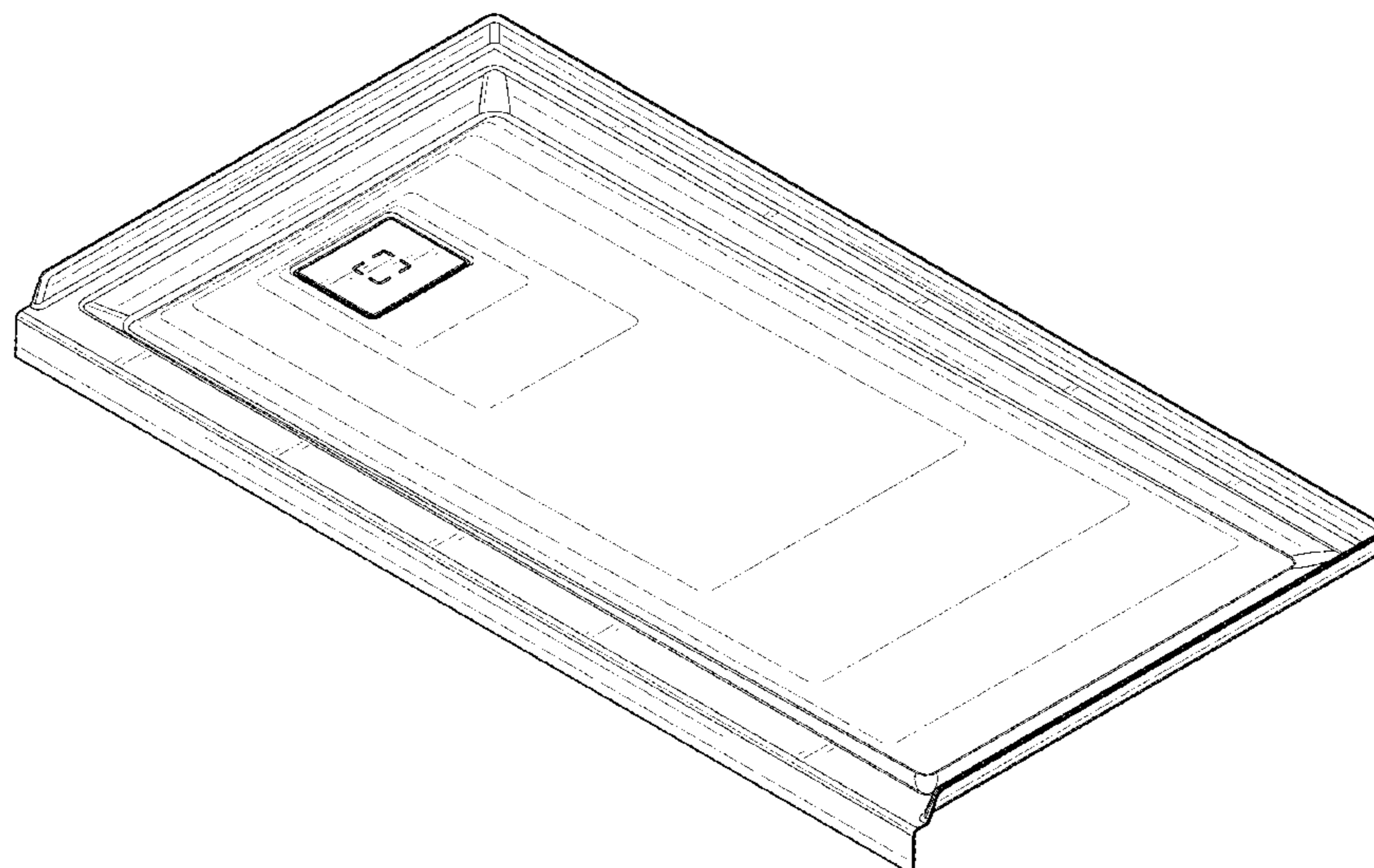
(57) **CLAIM**

We claim the ornamental design for a shower base, as shown and described.

**DESCRIPTION**

FIG. 1 is a front perspective view of a shower base showing our new design;  
FIG. 2 is a front view thereof;  
FIG. 3 is a rear view thereof;  
FIG. 4 is a side view thereof;  
FIG. 5 is a side view of the opposite side of FIG. 4; and,  
FIG. 6 is a top view thereof.

**1 Claim, 4 Drawing Sheets**



(56)

**References Cited**

U.S. PATENT DOCUMENTS

2013/0276226 A1 10/2013 Cook et al.  
2016/0166121 A1 6/2016 Zimbric  
2017/0164791 A1\* 6/2017 Provence ..... A47K 3/405  
2017/0196413 A1 7/2017 Sander et al.

FOREIGN PATENT DOCUMENTS

DE 102007010598 9/2008  
EM 000293675-0001 4/2005  
EP 1857029 11/2007  
JP 2000-265513 9/2000  
RU 74583 4/2010

OTHER PUBLICATIONS

Bucher et al., U.S. Office Action dated Dec. 12, 2018, directed to U.S. Appl. No. 29/637,917; 8 pages.  
Bucher et al., U.S. Office Action dated Dec. 12, 2018, directed to U.S. Appl. No. 29/637,921; 7 pages.

Bucher, U.S. Office Action dated Dec. 12, 2018, directed to U.S. Appl. No. 29/630,377; 6 pages.  
Bucher, U.S. Office Action dated Dec. 12, 2018, directed to U.S. Appl. No. 29/630,379; 7 pages.  
Bucher, U.S. Office Action dated Dec. 12, 2018, directed to U.S. Appl. No. 29/630,385; 7 pages.  
Bucher, U.S. Office Action dated Dec. 12, 2018, directed to U.S. Appl. No. 29/630,386; 6 pages.  
Bucher, U.S. Office Action dated Dec. 12, 2018, directed to U.S. Appl. No. 29/630,388; 9 pages.  
Bucher, U.S. Office Action dated Dec. 12, 2018, directed to U.S. Appl. No. 29/630,389; 7 pages.  
First Notification to Make Rectification dated Nov. 14, 2018, directed to CN Application No. 201830463529.6, 2 pages.  
Bucher, U.S. Office Action dated Apr. 2, 2019, directed to U.S. Appl. No. 29/630,385; 5 pages.  
Bucher, U.S. Office Action dated Apr. 2, 2019, directed to U.S. Appl. No. 29/630,389; 5 pages.  
Examination Report dated May 7, 2019, directed to Canadian Application No. 183084; 3 pages.

\* cited by examiner

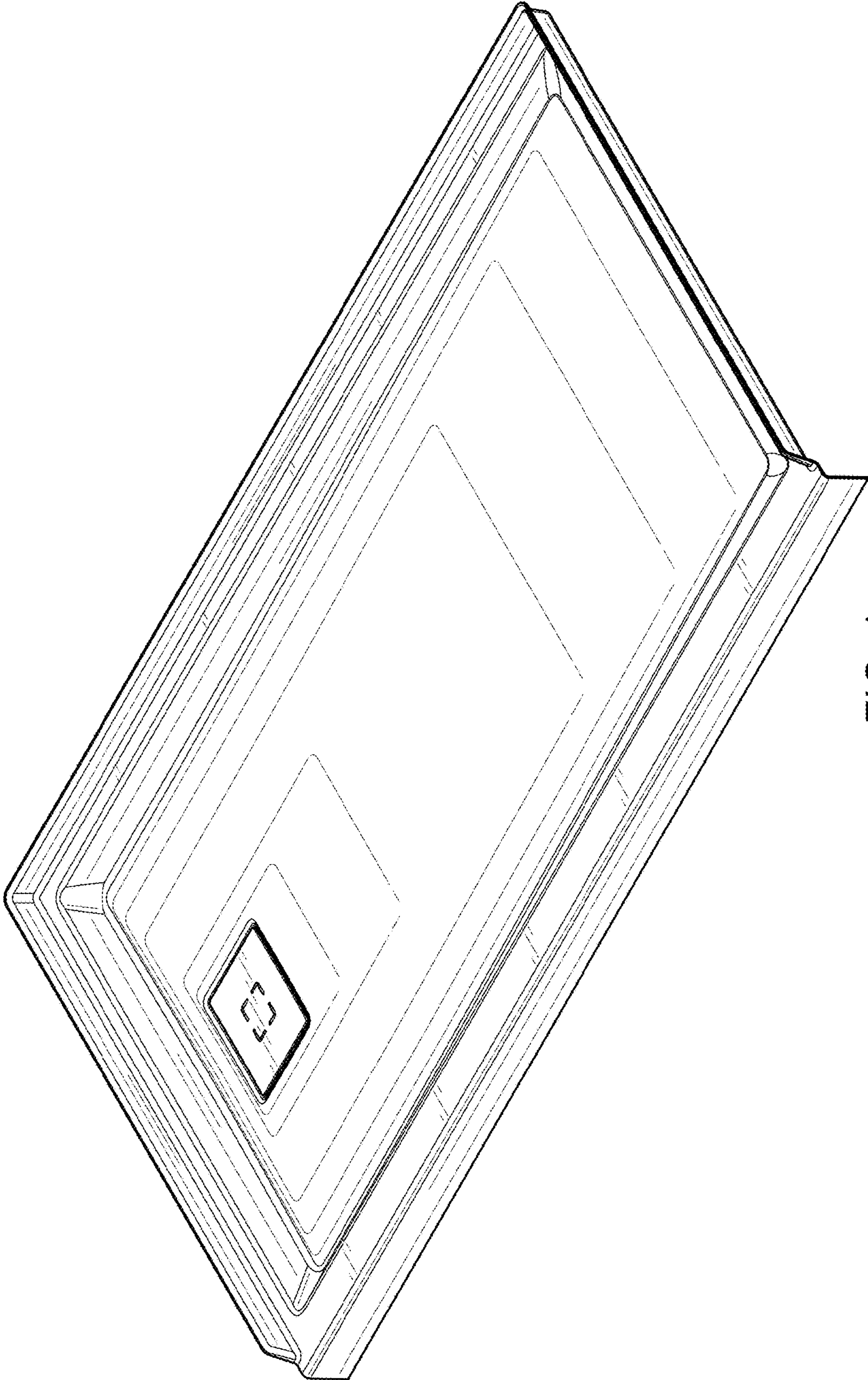


FIG. 1

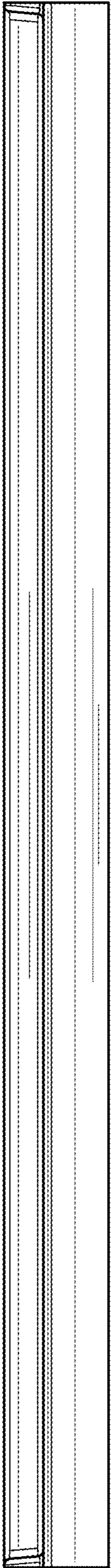


FIG. 2

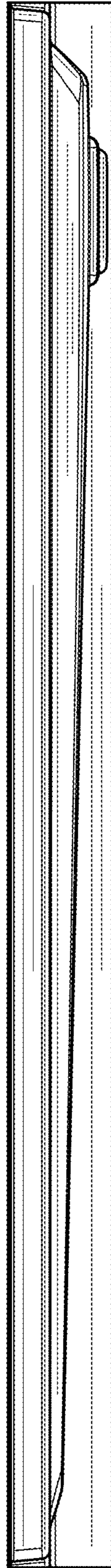


FIG. 3

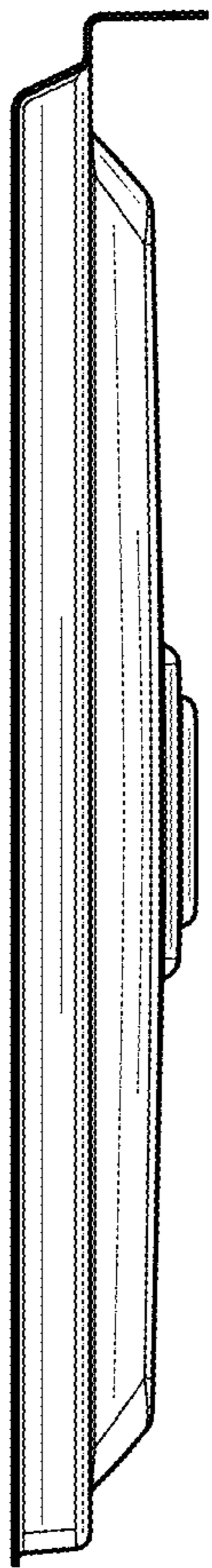


FIG. 4

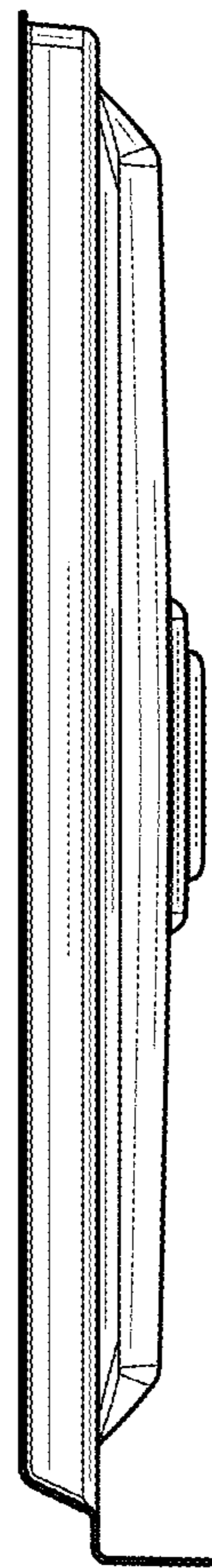


FIG. 5

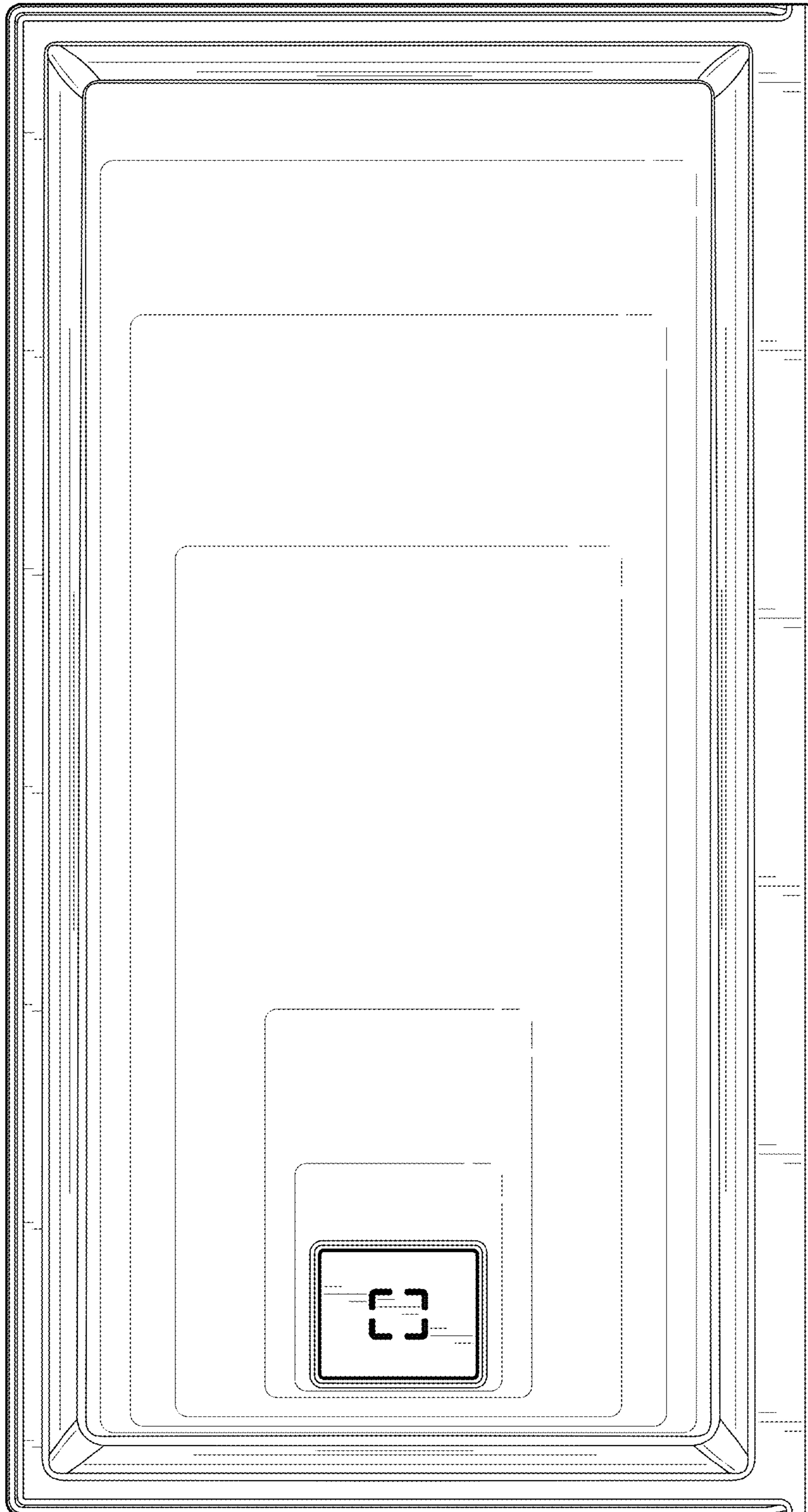


FIG. 6