



US00D859611S

(12) **United States Design Patent**
Gori et al.

(10) **Patent No.:** **US D859,611 S**

(45) **Date of Patent:** **** Sep. 10, 2019**

(54) **GUTTER GUARD REAR RECEIVER**

(71) Applicant: **LEAFFILTER NORTH, LLC**,
Hudson, OH (US)

(72) Inventors: **Michael Gori**, Norton, OH (US);
Michael J. Peck, Fairlawn, OH (US)

(73) Assignee: **LEAFFILTER NORTH, LLC**,
Hudson, OH (US)

(**) Term: **15 Years**

(21) Appl. No.: **29/647,737**

(22) Filed: **May 15, 2018**

(51) **LOC (12) Cl.** **23-01**

(52) **U.S. Cl.**
USPC **D23/267; D25/119**

(58) **Field of Classification Search**
USPC D23/259–260, 267, 209, 365, 393;
D25/119, 121–124, 133, 141–142, 48.2,
D25/120, 131, 136, 138–139, 143–144,
D25/164, 199; 52/11–16, 60, 96–97
CPC ... E04D 13/076; E04D 13/072; E04D 13/064;
E04D 13/068; E04D 13/158; E04D
13/0641; E04D 13/0459; E04D 13/0477;
E04D 13/0481; E04D 13/15
See application file for complete search history.

(56) **References Cited**

U.S. PATENT DOCUMENTS

- 1,336,118 A * 4/1920 Wright E04D 13/15
52/94
- 3,405,485 A * 10/1968 Edwards E04D 13/1415
52/300
- 5,345,727 A * 9/1994 McCrea E04D 13/064
52/11
- D385,049 S * 10/1997 Anderson D25/136
- D437,944 S * 2/2001 Neuhofer, Jr. D25/199

- D612,919 S * 3/2010 DeHart, Sr. D23/267
- D703,307 S * 4/2014 Little D23/393
- D711,556 S * 8/2014 Singh D25/119
- D734,498 S * 7/2015 Batres D25/136
- D734,499 S * 7/2015 Batres D25/136
- D742,546 S * 11/2015 Singh D25/119
- D764,075 S * 8/2016 Honda D25/119
- D767,168 S * 9/2016 Hatch D25/136
- D768,877 S * 10/2016 Mumford, Sr. D25/119
- D771,276 S * 11/2016 Walker D25/119
- D802,167 S * 11/2017 Gyetvai D25/119

* cited by examiner

Primary Examiner — Eric L Goodman

Assistant Examiner — Amy C Wierenga

(74) *Attorney, Agent, or Firm* — Benesch, Friedlander,
Coplan & Aronoff LLP

(57) **CLAIM**

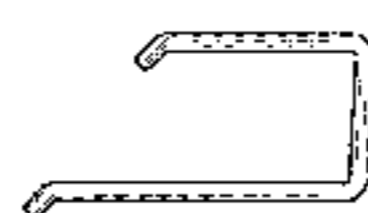
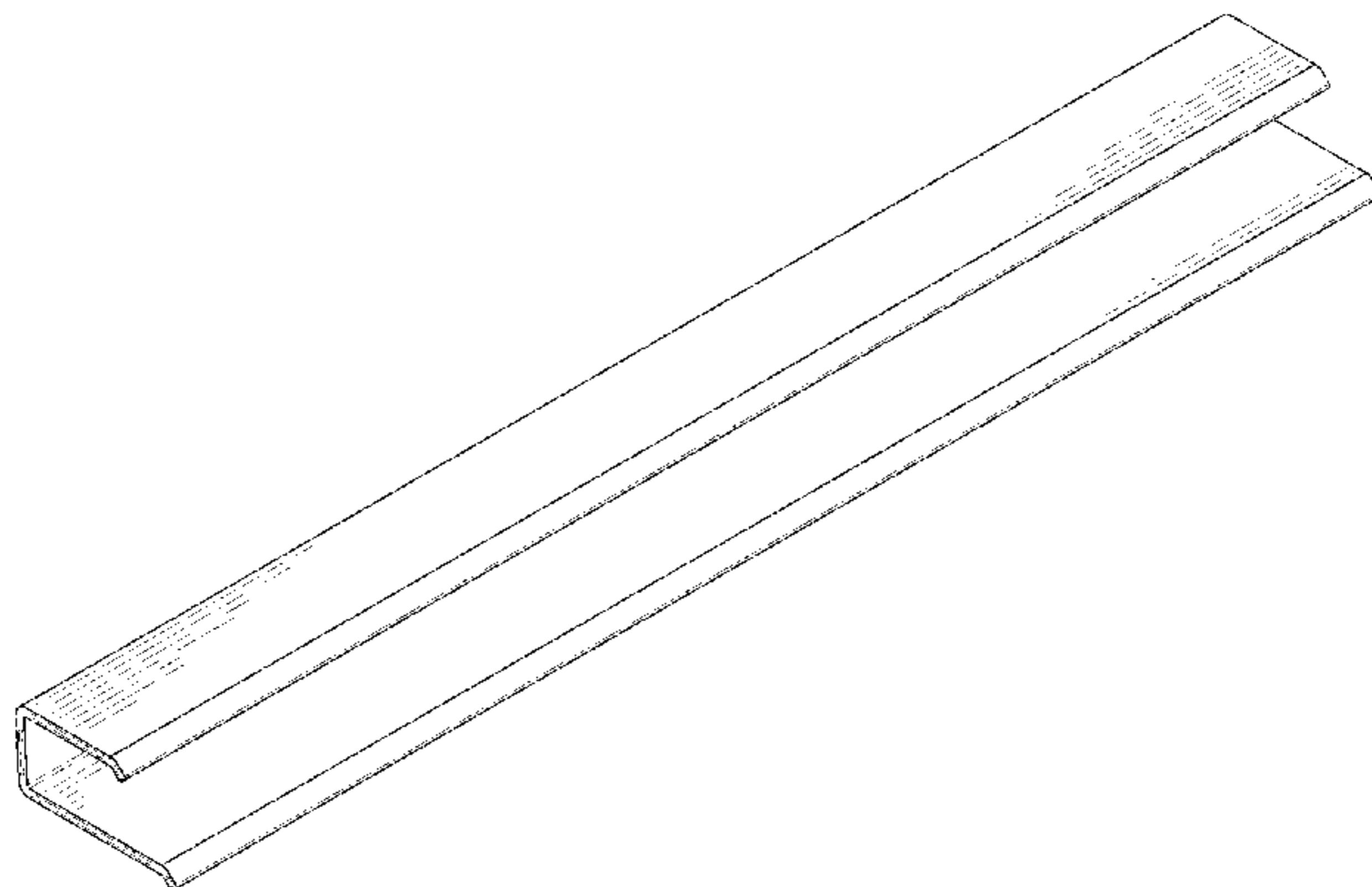
The ornamental design for a gutter guard rear receiver, as shown and described.

DESCRIPTION

FIG. 1 is a perspective view of a gutter guard rear receiver; FIG. 2 is a right-side elevation view of the gutter guard rear receiver of FIG. 1; FIG. 3 is a left-side elevation view of the gutter guard rear receiver of FIG. 1; FIG. 4 is a front elevation view of the gutter guard rear receiver of FIG. 1; FIG. 5 is a rear elevation view of the gutter guard rear receiver of FIG. 1; FIG. 6 is a top plan view of the gutter guard rear receiver of FIG. 1; and, FIG. 7 is a bottom plan view of the gutter guard rear receiver of FIG. 1.

The broken lines shown in the drawings illustrate portions of the gutter guard rear receiver that form no part of the claim.

1 Claim, 3 Drawing Sheets



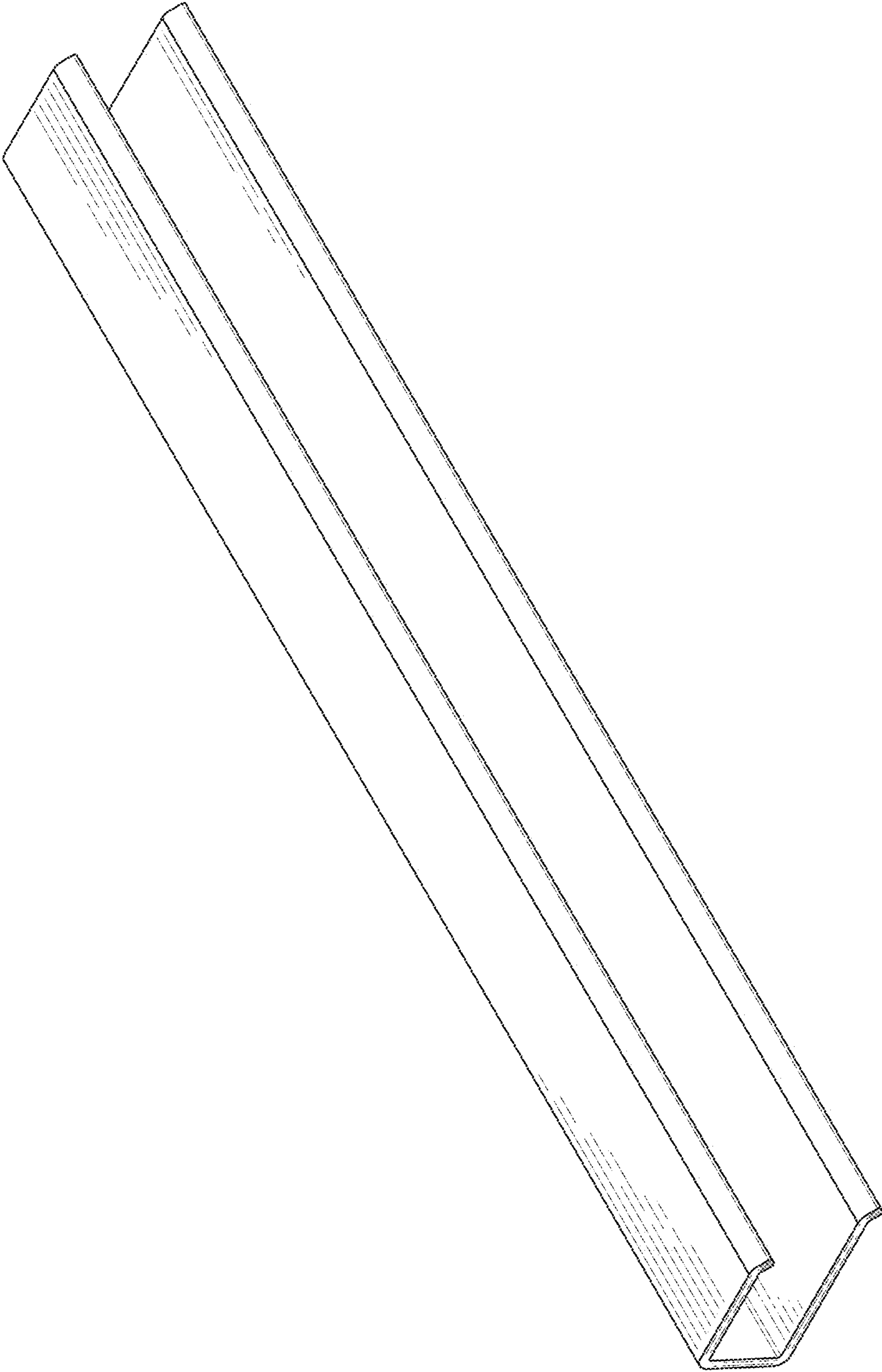


FIG. 1

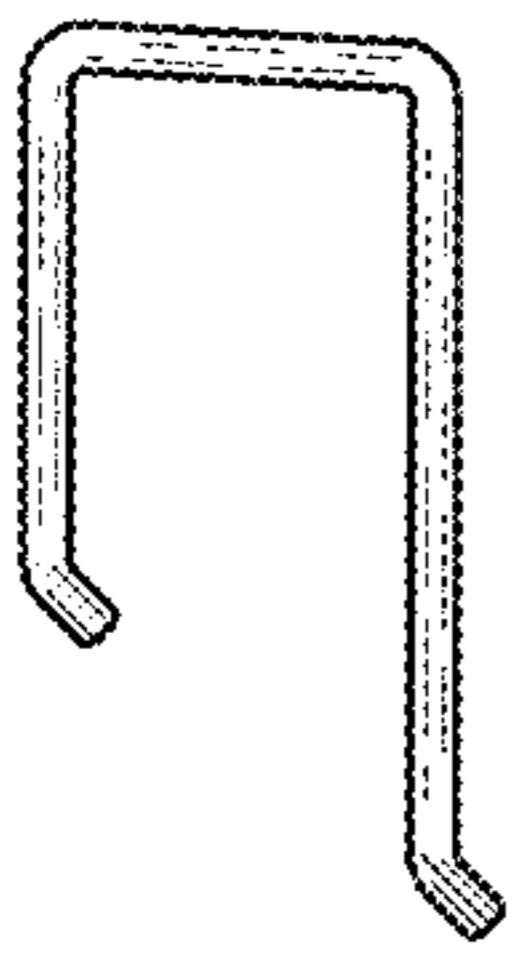


FIG. 2

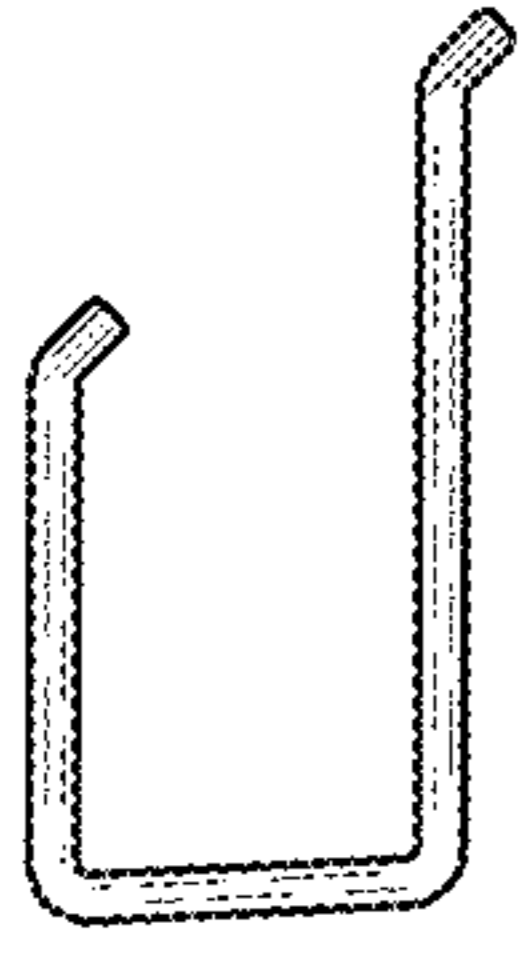


FIG. 3

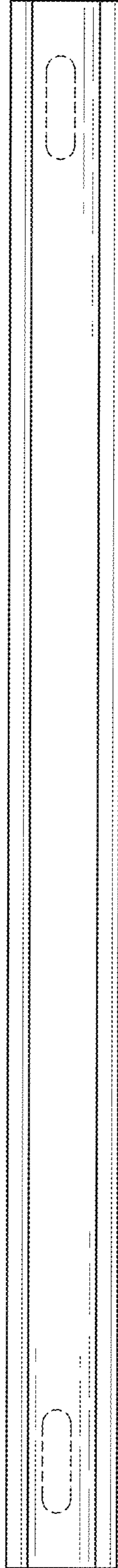


FIG. 4

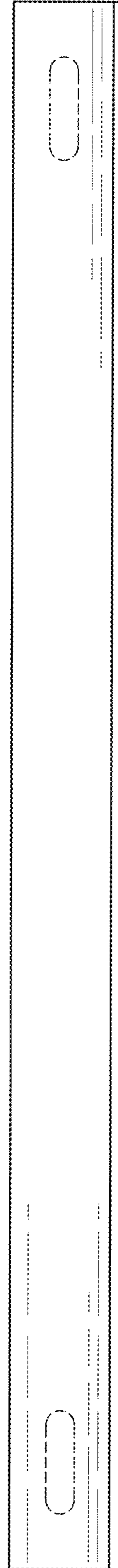


FIG. 5

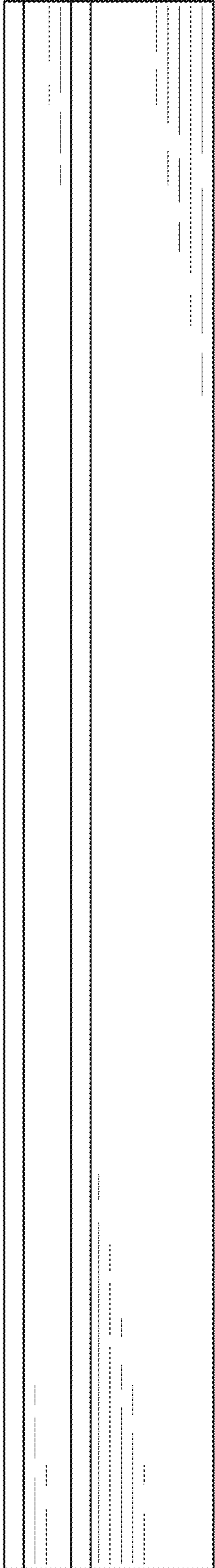


FIG. 6

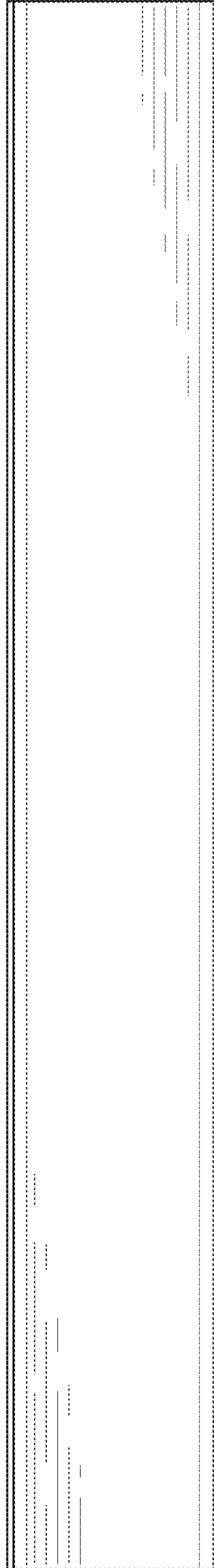


FIG. 7