



US00D859608S

(12) **United States Design Patent**
Gori et al.

(10) **Patent No.:** **US D859,608 S**

(45) **Date of Patent:** **** Sep. 10, 2019**

(54) **GUTTER GUARD REAR RECEIVER**

(71) Applicant: **LEAFFILTER NORTH, LLC,**
Hudson, OH (US)

(72) Inventors: **Michael Gori,** Norton, OH (US);
Michael J. Peck, Fairlawn, OH (US)

(73) Assignee: **LEAFFILTER NORTH, LLC,**
Hudson, OH (US)

(**) Term: **15 Years**

(21) Appl. No.: **29/647,723**

(22) Filed: **May 15, 2018**

(51) **LOC (12) Cl.** **23-01**

(52) **U.S. Cl.**
USPC **D23/267; D25/119**

(58) **Field of Classification Search**
USPC D23/259–260, 267, 209, 365, 393;
D25/119, 121–124, 133, 141–142, 48.2,
D25/120, 131, 136, 138–139, 143–144,
D25/164, 199; 52/11–16, 60, 96–97
CPC ... E04D 13/076; E04D 13/072; E04D 13/064;
E04D 13/068; E04D 13/158; E04D
13/0641; E04D 13/0459; E04D 13/0477;
E04D 13/0481; E04D 13/15
See application file for complete search history.

(56) **References Cited**

U.S. PATENT DOCUMENTS

D210,935 S * 5/1968 Cook D25/119
D468,812 S * 1/2003 Doyle D23/267

D680,661 S * 4/2013 Elizarraras D25/136
D703,307 S * 4/2014 Little D23/393
D734,498 S * 7/2015 Batres D25/136
D734,499 S * 7/2015 Batres D25/136
D834,245 S * 11/2018 Trzecielski D26/142

* cited by examiner

Primary Examiner — Eric L Goodman

Assistant Examiner — Amy C Wierenga

(74) *Attorney, Agent, or Firm* — Benesch, Friedlander,
Coplan & Aronoff LLP

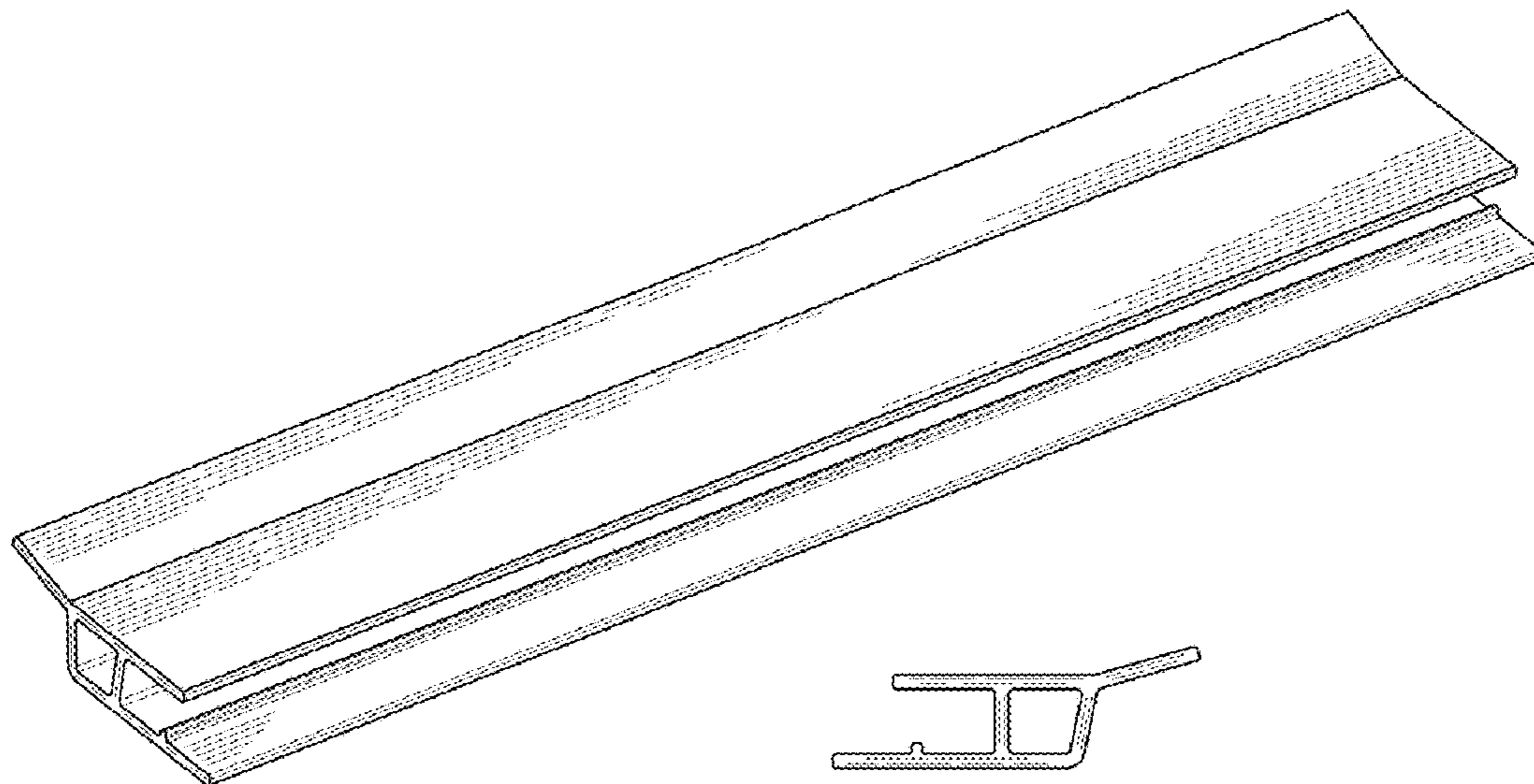
(57) **CLAIM**

The ornamental design for a gutter guard rear receiver, as shown and described.

DESCRIPTION

FIG. 1 is a perspective view of a gutter guard rear receiver; FIG. 2 is a right-side elevation view of the gutter guard rear receiver of FIG. 1; FIG. 3 is a left-side elevation view of the gutter guard rear receiver of FIG. 1; FIG. 4 is a front elevation view of the gutter guard rear receiver of FIG. 1; FIG. 5 is a rear elevation view of the gutter guard rear receiver of FIG. 1; FIG. 6 is a top plan view of the gutter guard rear receiver of FIG. 1; and, FIG. 7 is a bottom plan view of the gutter guard rear receiver of FIG. 1.

1 Claim, 3 Drawing Sheets



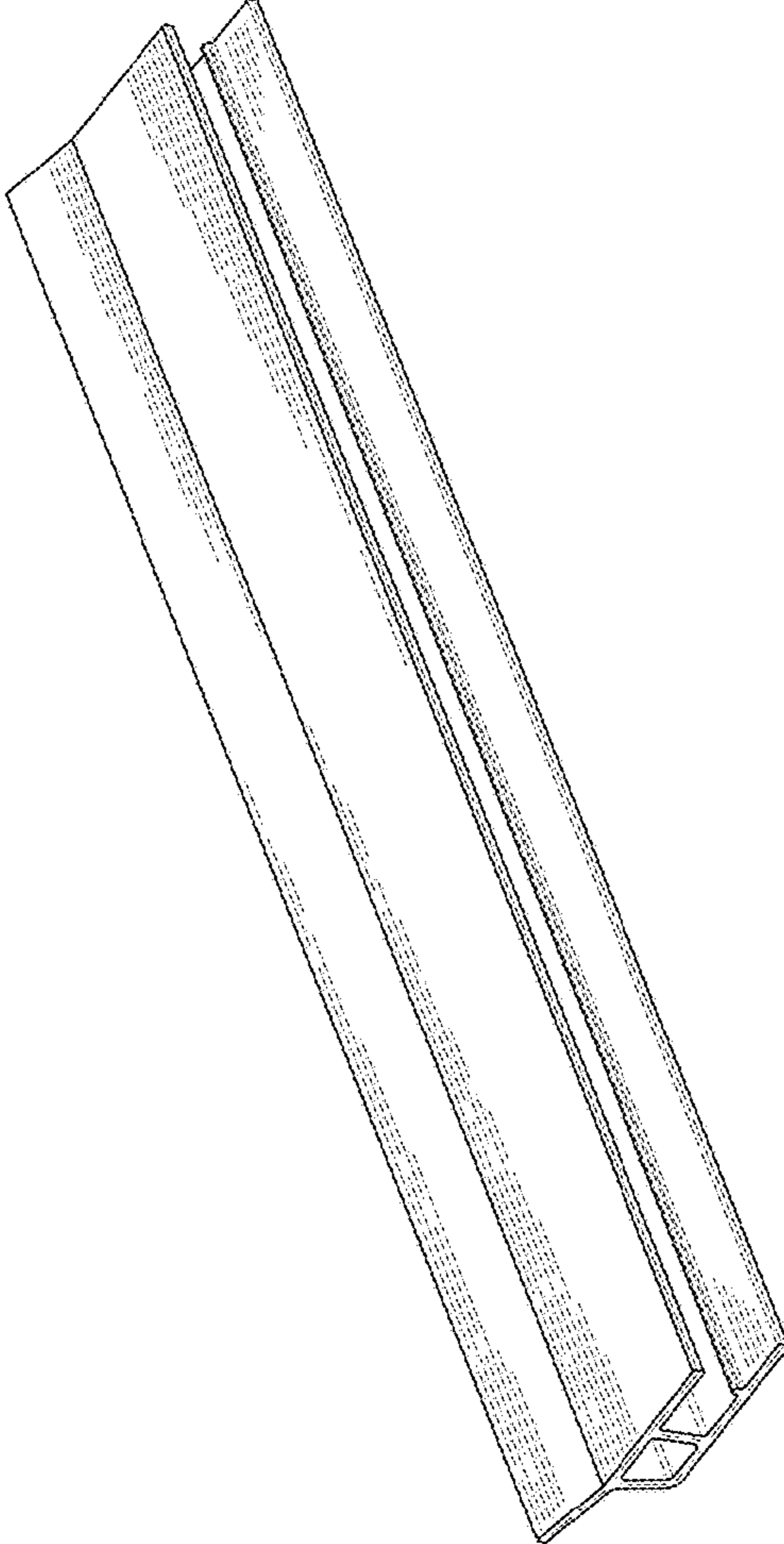


FIG. 1

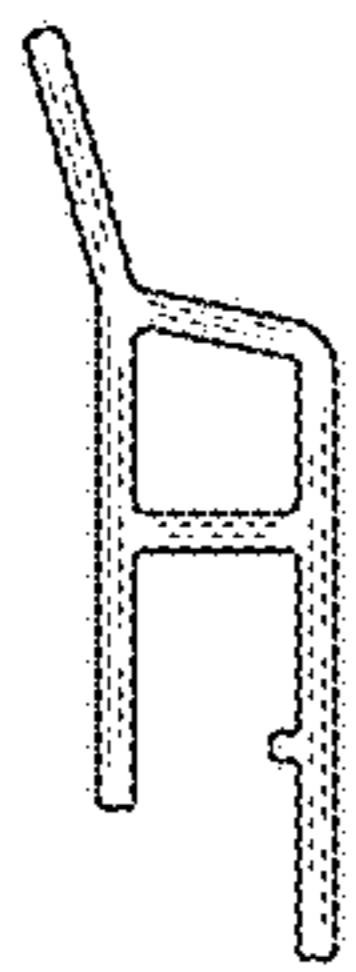


FIG. 2

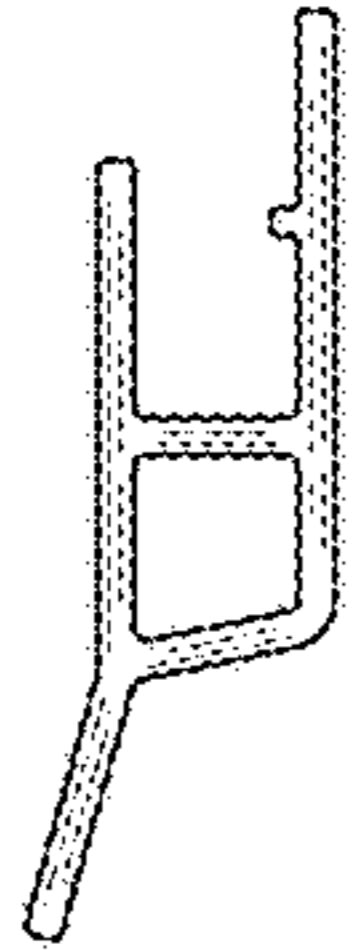


FIG. 3

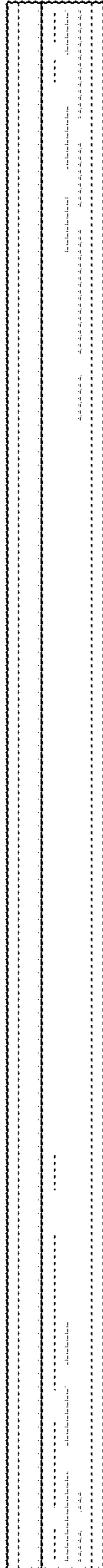


FIG. 4

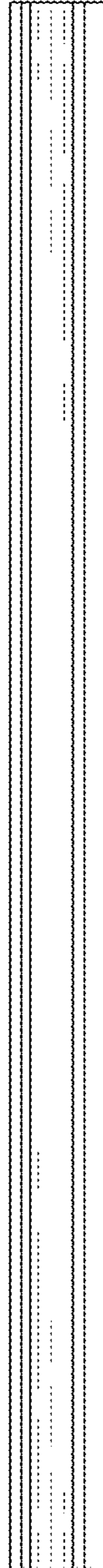


FIG. 5

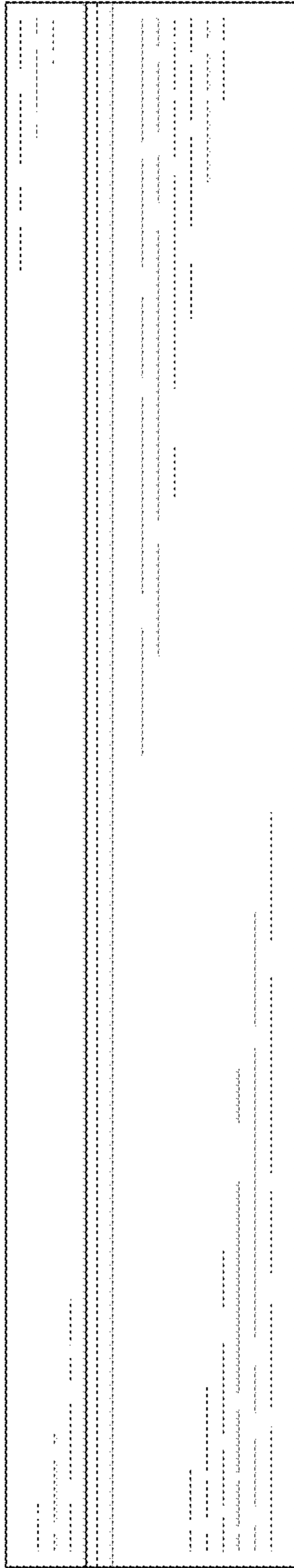


FIG. 6

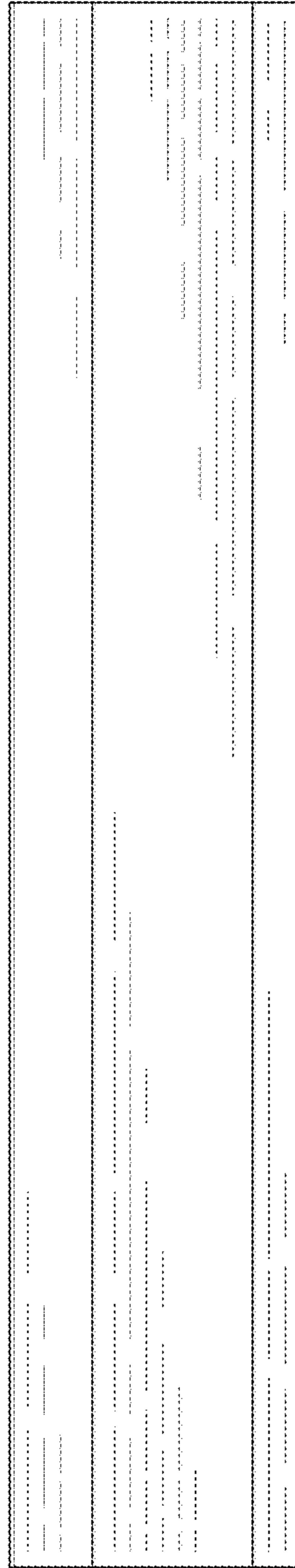


FIG. 7