



US00D859604S

(12) **United States Design Patent**  
**Dagdelen**

(10) **Patent No.:** **US D859,604 S**  
(45) **Date of Patent:** **\*\* Sep. 10, 2019**

- (54) **LOCKING RING FOR PIPES**
- (71) Applicant: **POELSAN PLASTIK SANAYI VE TICARET ANONIM SIRKETI, Samsun (TR)**
- (72) Inventor: **Yasar Dagdelen, Samsun (TR)**
- (73) Assignee: **POELSAN PLASTIK SANAYI VE TICARET ANONIM SIRKETI, Samsun (TR)**
- (\*\*) Term: **15 Years**
- (21) Appl. No.: **29/617,618**
- (22) Filed: **Sep. 14, 2017**

D517,666	S *	3/2006	Wilk, Jr.	.....	D23/262
D523,123	S *	6/2006	Wilk, Jr.	.....	D23/262
7,063,356	B2 *	6/2006	Barker	.....	F16L 37/62 285/105
D676,941	S *	2/2013	Kluss	.....	D23/262
8,608,205	B2 *	12/2013	Lai	.....	B25B 27/10 285/307
8,801,048	B2 *	8/2014	Morris	.....	F16L 37/091 285/340
D729,909	S *	5/2015	Castrigno	.....	D23/263
D731,627	S *	6/2015	Guest	.....	D23/262
D739,508	S *	9/2015	Menno	.....	D23/263
D741,457	S *	10/2015	Guest	.....	D23/262
D741,458	S *	10/2015	Guest	.....	D23/262
D741,459	S *	10/2015	Guest	.....	D23/262
D743,511	S *	11/2015	Bednarz	.....	D23/263
9,182,061	B2 *	11/2015	Hamaguchi	.....	F16L 25/0045
D745,116	S *	12/2015	Lehmann	.....	D23/262
D746,418	S *	12/2015	Castrigno	.....	D23/262
D746,950	S *	1/2016	Castrigno	.....	D23/259
D746,951	S *	1/2016	Gledhill	.....	D23/259
D746,952	S *	1/2016	Gledhill	.....	D23/259
D746,954	S *	1/2016	Gledhill	.....	D23/259
D746,958	S *	1/2016	Gledhill	.....	D23/262

**Related U.S. Application Data**

- (62) Division of application No. 35/501,033, filed on Jan. 25, 2016 (U.S. filing date under 35 U.S.C. 384), and having an international filing date of Jan. 25, 2016, now Pat. No. Des. 816,811.

- (51) **LOC (12) Cl.** ..... **23-01**
- (52) **U.S. Cl.**  
USPC ..... **D23/259**
- (58) **Field of Classification Search**  
USPC ..... D23/259, 262-263, 266  
CPC .. Y10T 29/49826; Y10T 428/139; F16L 9/02;  
F16L 9/14  
See application file for complete search history.

**References Cited**

**U.S. PATENT DOCUMENTS**

6,062,611	A *	5/2000	Percebois	.....	F16L 37/092 285/232
6,237,964	B1 *	5/2001	Østergaard	.....	E21B 33/035 285/310
6,390,446	B1 *	5/2002	Wang	.....	B01D 35/02 210/429

(Continued)

*Primary Examiner* — Michael A. Pratt  
(74) *Attorney, Agent, or Firm* — Crose Law LLC;  
Bradley D. Crose

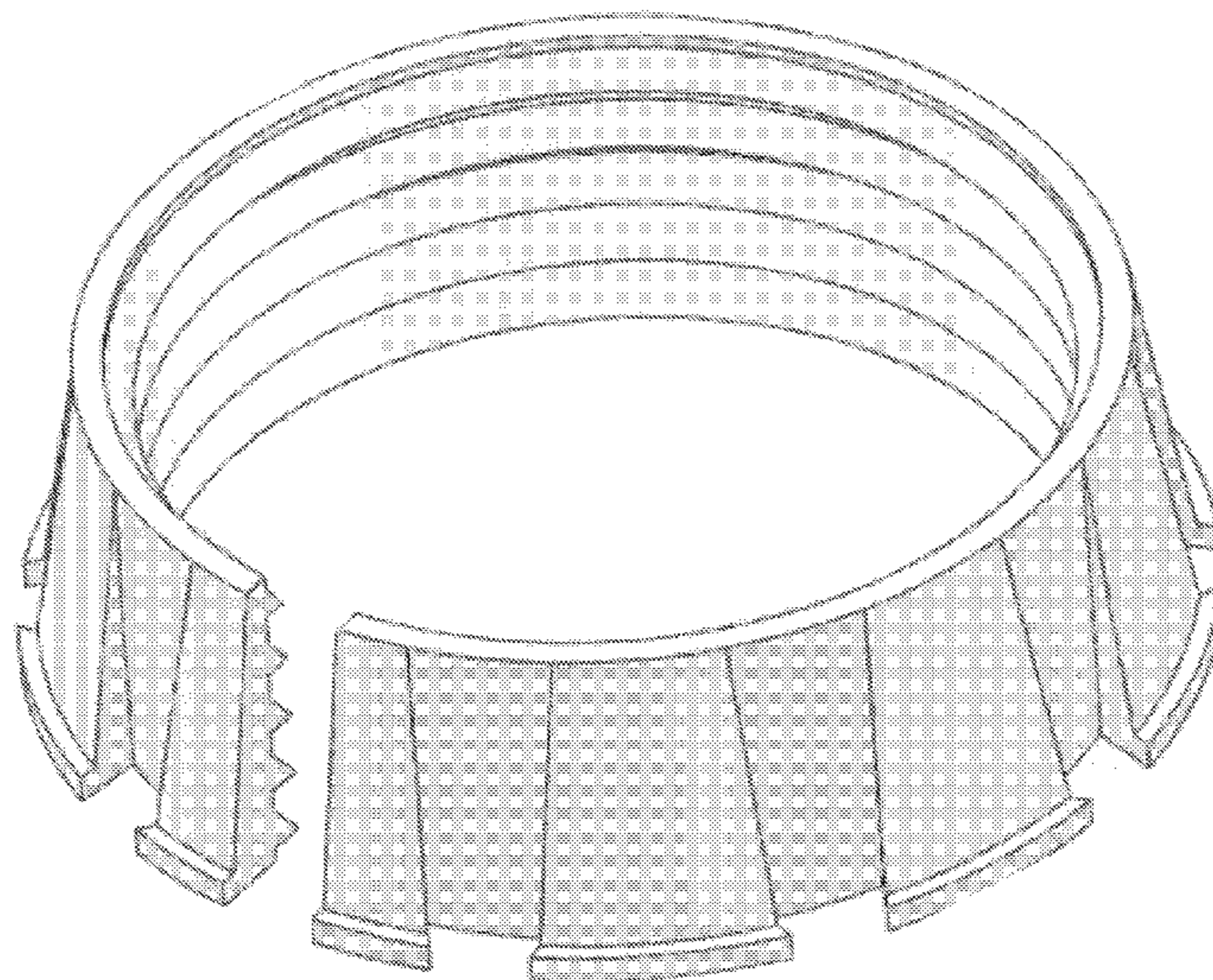
(57) **CLAIM**

The ornamental design for a locking ring for pipes, as shown and described.

**DESCRIPTION**

FIG. 1 is a perspective view of a locking ring for pipes, showing my new design;  
FIG. 2 is a top plan view thereof;  
FIG. 3 is an bottom plan view thereof;  
FIG. 4 is a front plan view thereof; and,  
FIG. 5 is a back plan view thereof.

**1 Claim, 5 Drawing Sheets**



(56)

**References Cited**

U.S. PATENT DOCUMENTS

D748,762	S *	2/2016	Naslund	.....	D23/262
9,310,000	B2 *	4/2016	Liang	.....	F16L 11/20
9,316,336	B2 *	4/2016	Genoni	.....	F16L 47/03
D771,779	S *	11/2016	Scifres	.....	D23/263
D771,780	S *	11/2016	Scifres	.....	D23/266
D779,315	S *	2/2017	Hinkle	.....	D23/262
9,568,127	B2 *	2/2017	Morris	.....	F16L 37/091

\* cited by examiner

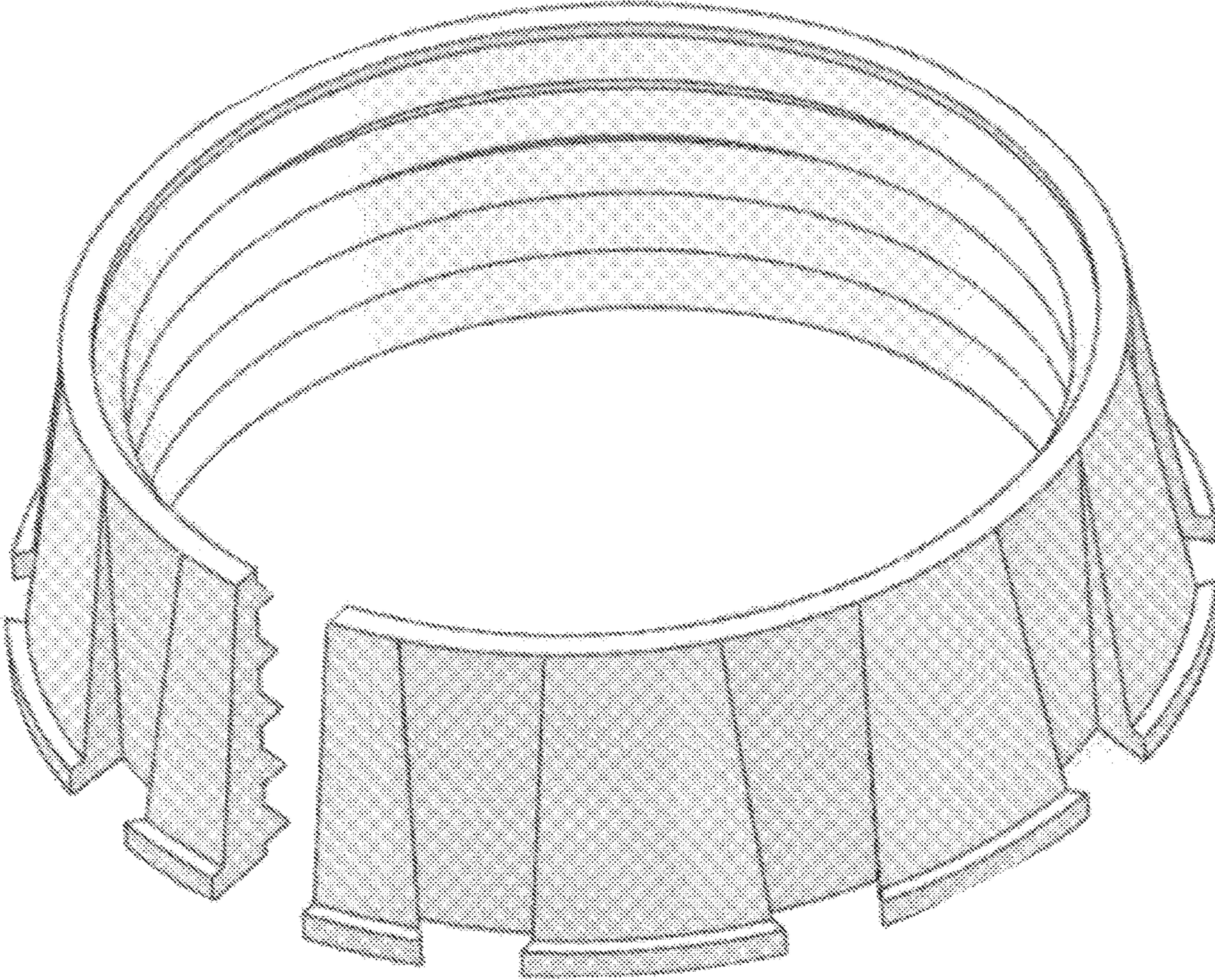


FIG. 1

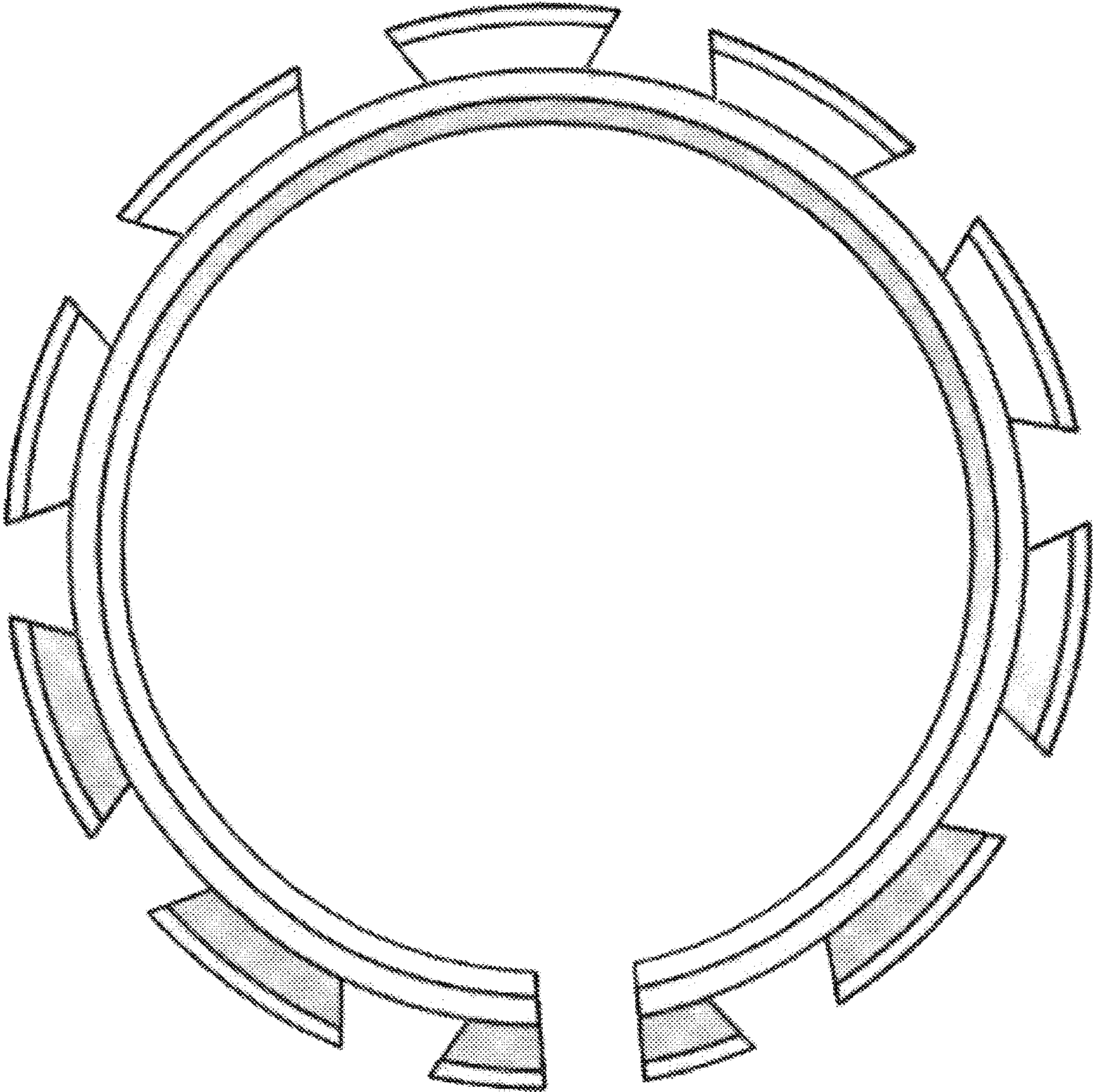


FIG. 2

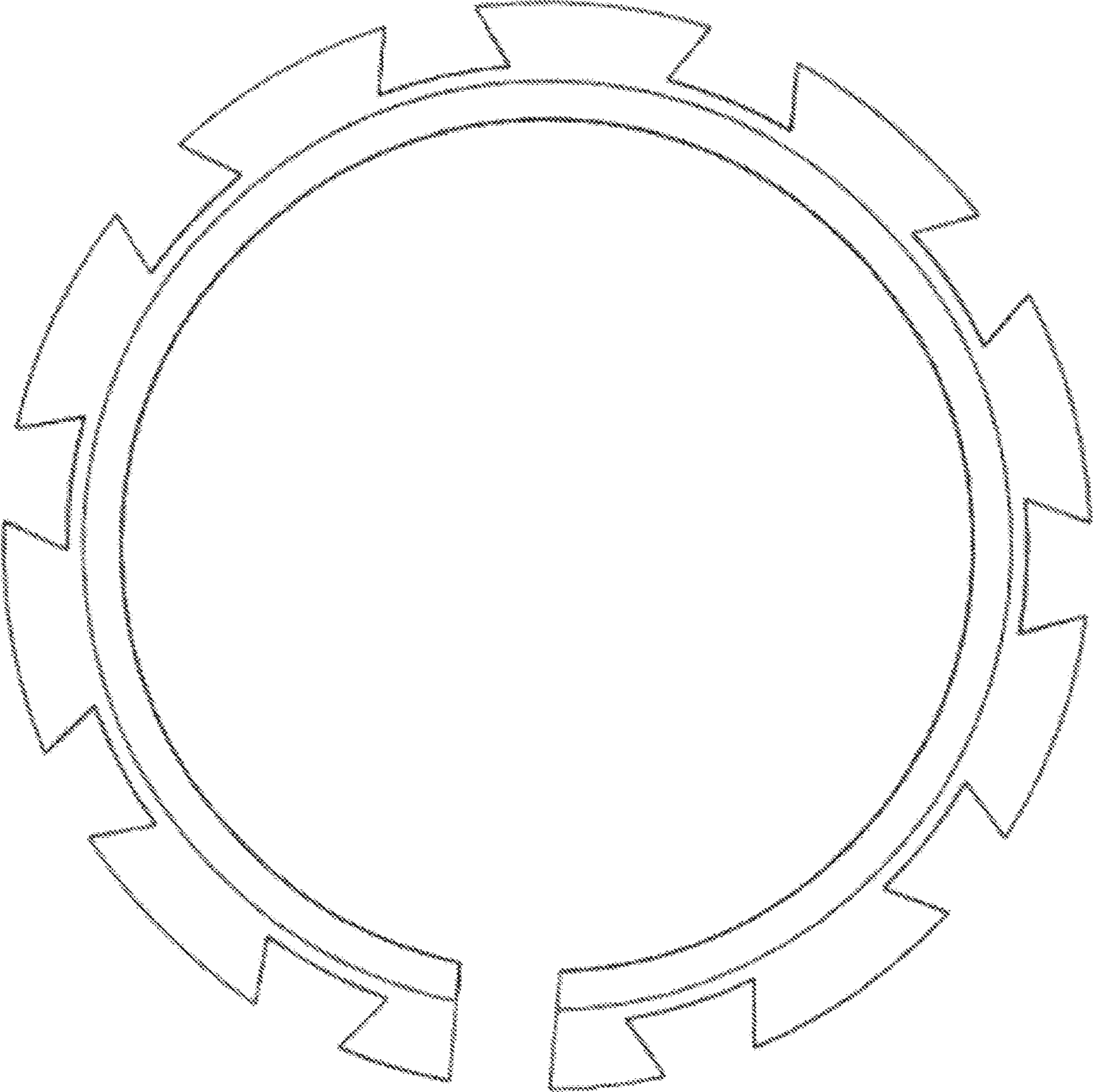


FIG. 3

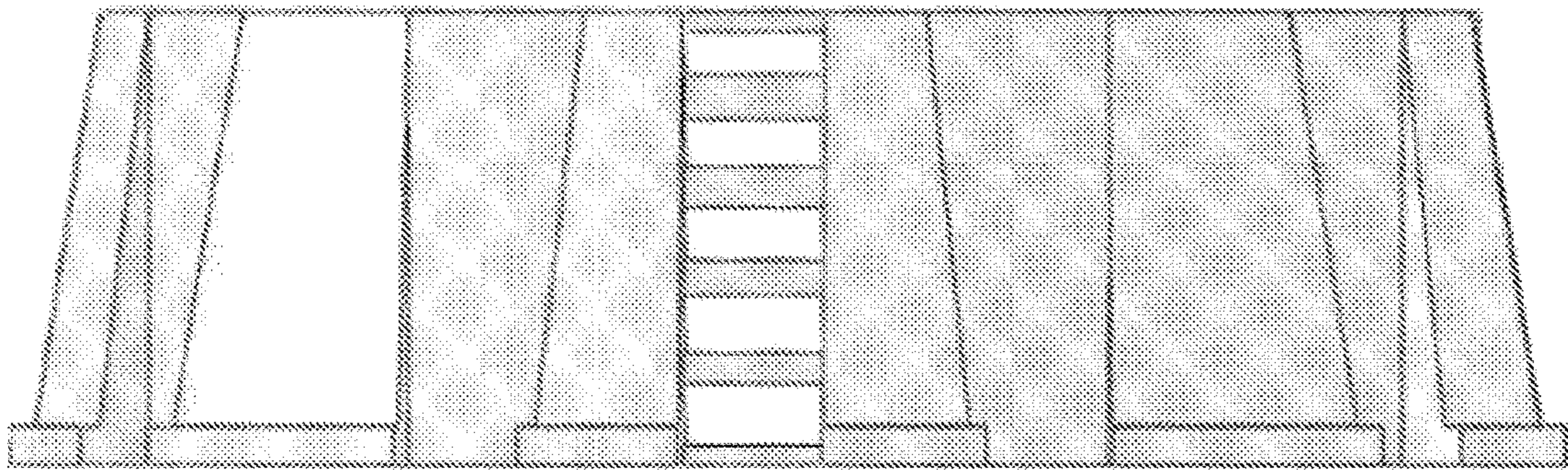


FIG. 4

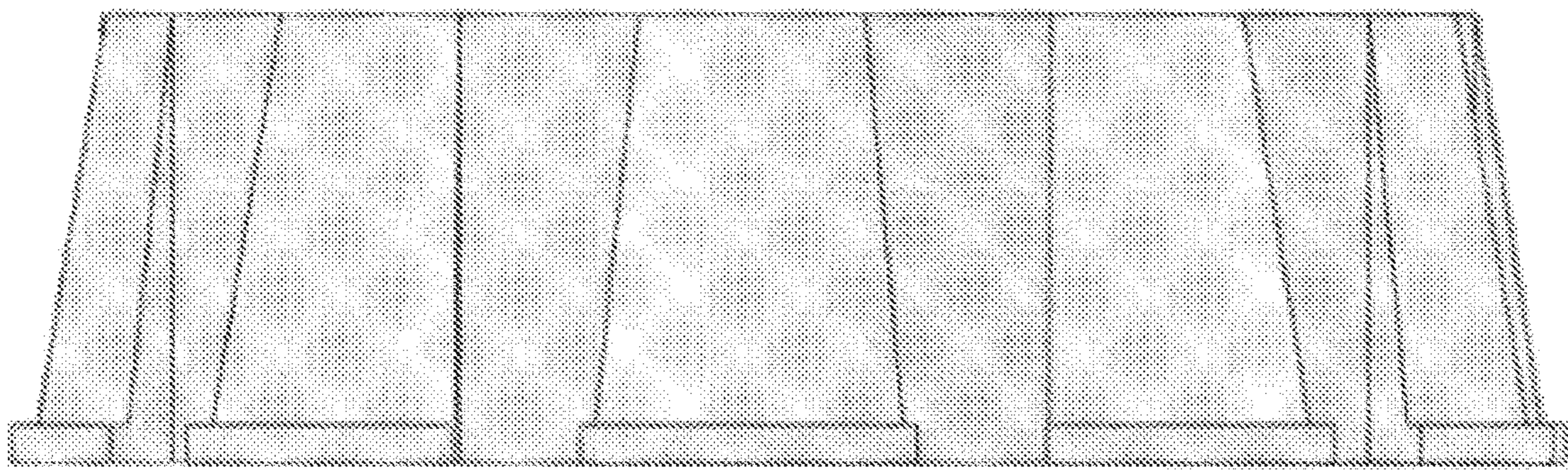


FIG. 5