



US00D859603S

(12) **United States Design Patent**
Bahler

(10) **Patent No.:** **US D859,603 S**

(45) **Date of Patent:** **** Sep. 10, 2019**

(54) **TUB SPOUT**

(71) Applicant: **DELTA FAUCET COMPANY,**
Indianapolis, IN (US)

(72) Inventor: **Jordan Bahler,** Frankfort, IN (US)

(73) Assignee: **DELTA FAUCET COMPANY,**
Indianapolis, IN (US)

(**) Term: **15 Years**

(21) Appl. No.: **29/646,191**

(22) Filed: **May 2, 2018**

(51) **LOC (12) Cl.** **23-01**

(52) **U.S. Cl.**
USPC **D23/257**

(58) **Field of Classification Search**
USPC D23/238, 239-243, 255, 257
See application file for complete search history.

(56) **References Cited**

U.S. PATENT DOCUMENTS

D266,452 S	*	10/1982	Fleischmann	D23/257
D462,750 S	*	9/2002	Lord	D23/255
D463,534 S	*	9/2002	Lord	D23/255
D477,059 S	*	7/2003	Schonherr	D23/255
D522,108 S	*	5/2006	Hoernig	D23/255
D570,456 S	*	6/2008	Hoernig	D23/255
D573,695 S	*	7/2008	Rexach	D23/255
D581,029 S	*	11/2008	Gilbert	D23/255

D601,670 S	*	10/2009	Corbett	D23/255
D612,017 S	*	3/2010	Gao	D23/255
D719,243 S	*	12/2014	Fritz	D23/255
D791,282 S	*	7/2017	Bahler	D23/255
D815,255 S	*	4/2018	Garland	D23/255

* cited by examiner

Primary Examiner — Eric L Goodman

Assistant Examiner — Amy C Wierenga

(74) *Attorney, Agent, or Firm* — Edgar A. Zarins; Nirav D. Parikh

(57) **CLAIM**

The ornamental design for a tub spout, as shown and described.

DESCRIPTION

FIG. 1 is a perspective view of a tub spout showing my new design;

FIG. 2 is a top plan view thereof;

FIG. 3 is a bottom view thereof;

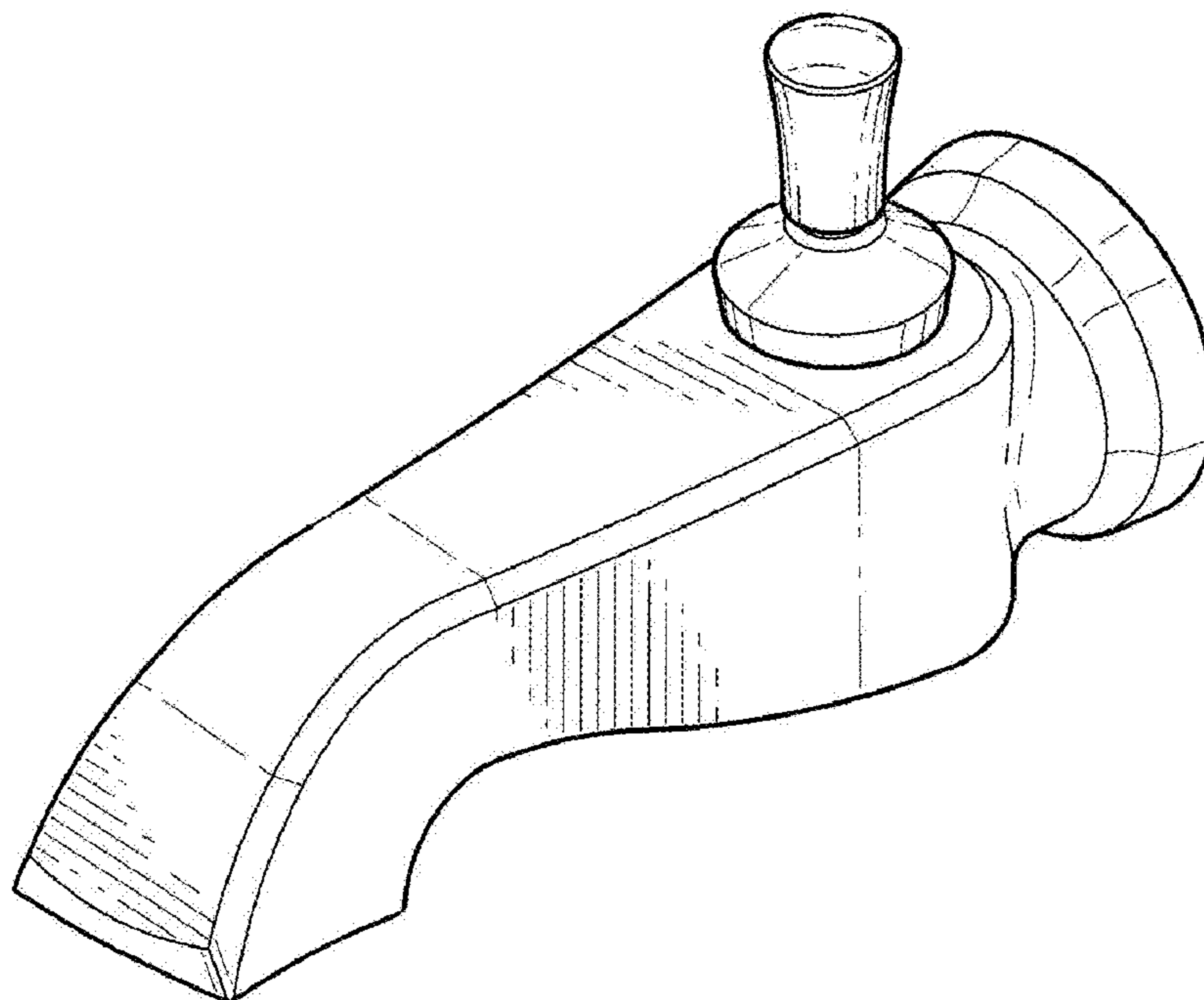
FIG. 4 is a right side view thereof, the opposite side being a mirror image of the side shown;

FIG. 5 is a front end view thereof; and,

FIG. 6 is a rear view thereof.

The broken-line disclosure in the view represents a portion of the tub spout in which the claimed design is embodied, but which forms no part of the claimed design.

1 Claim, 2 Drawing Sheets



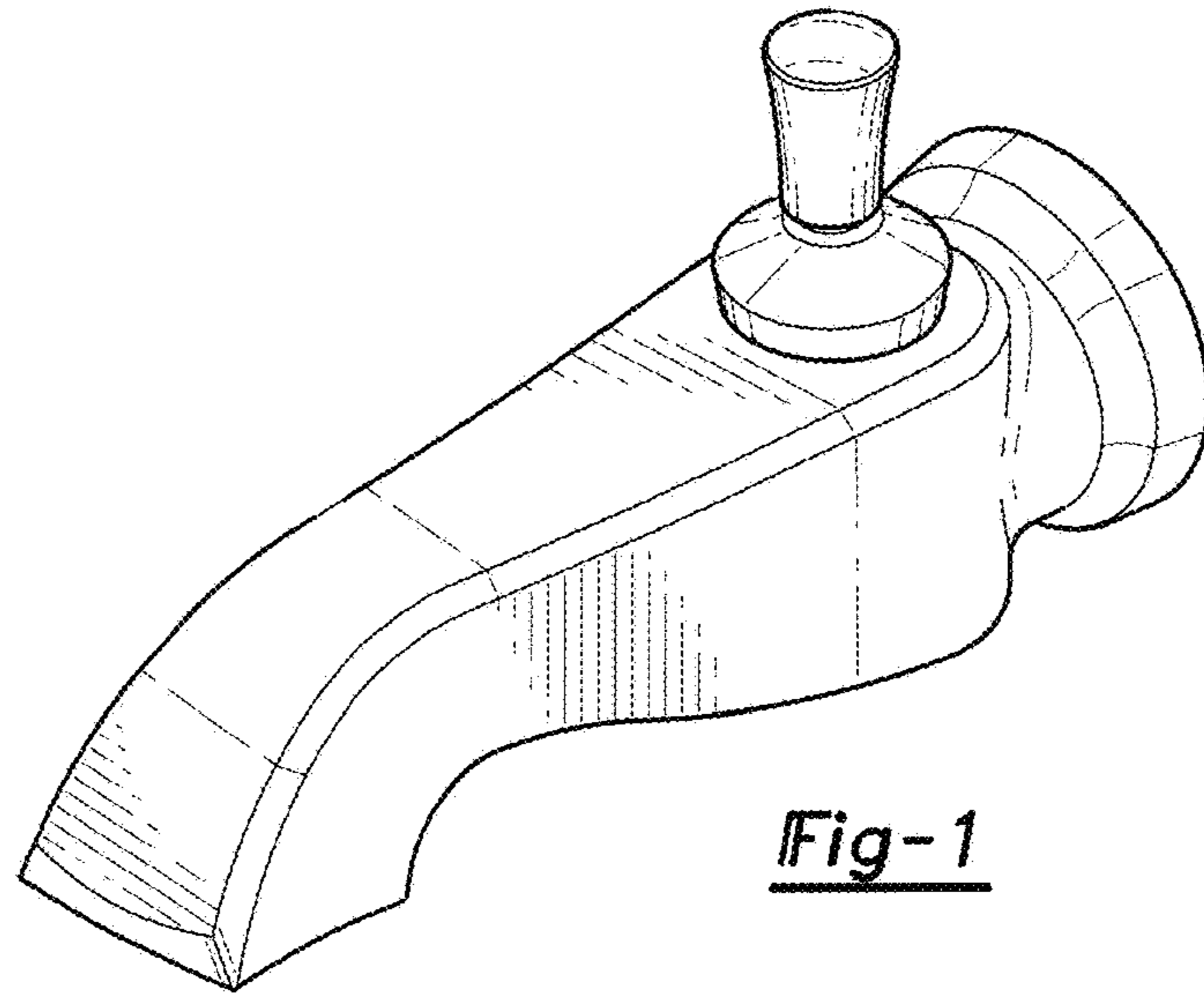


Fig-1

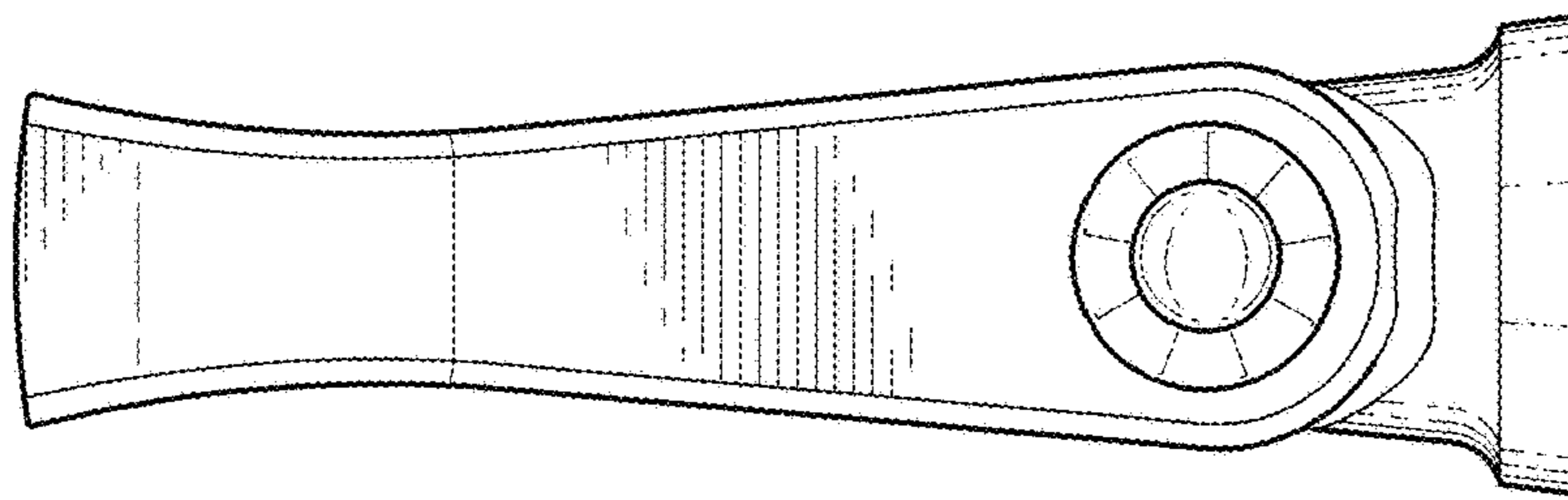


Fig-2

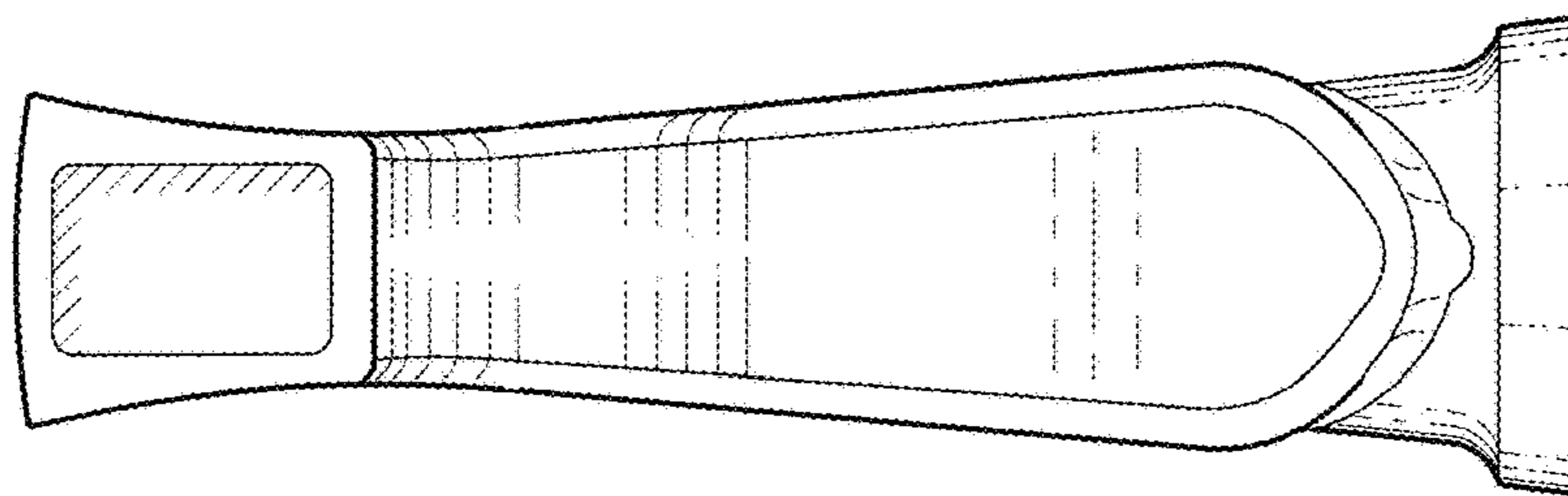


Fig-3

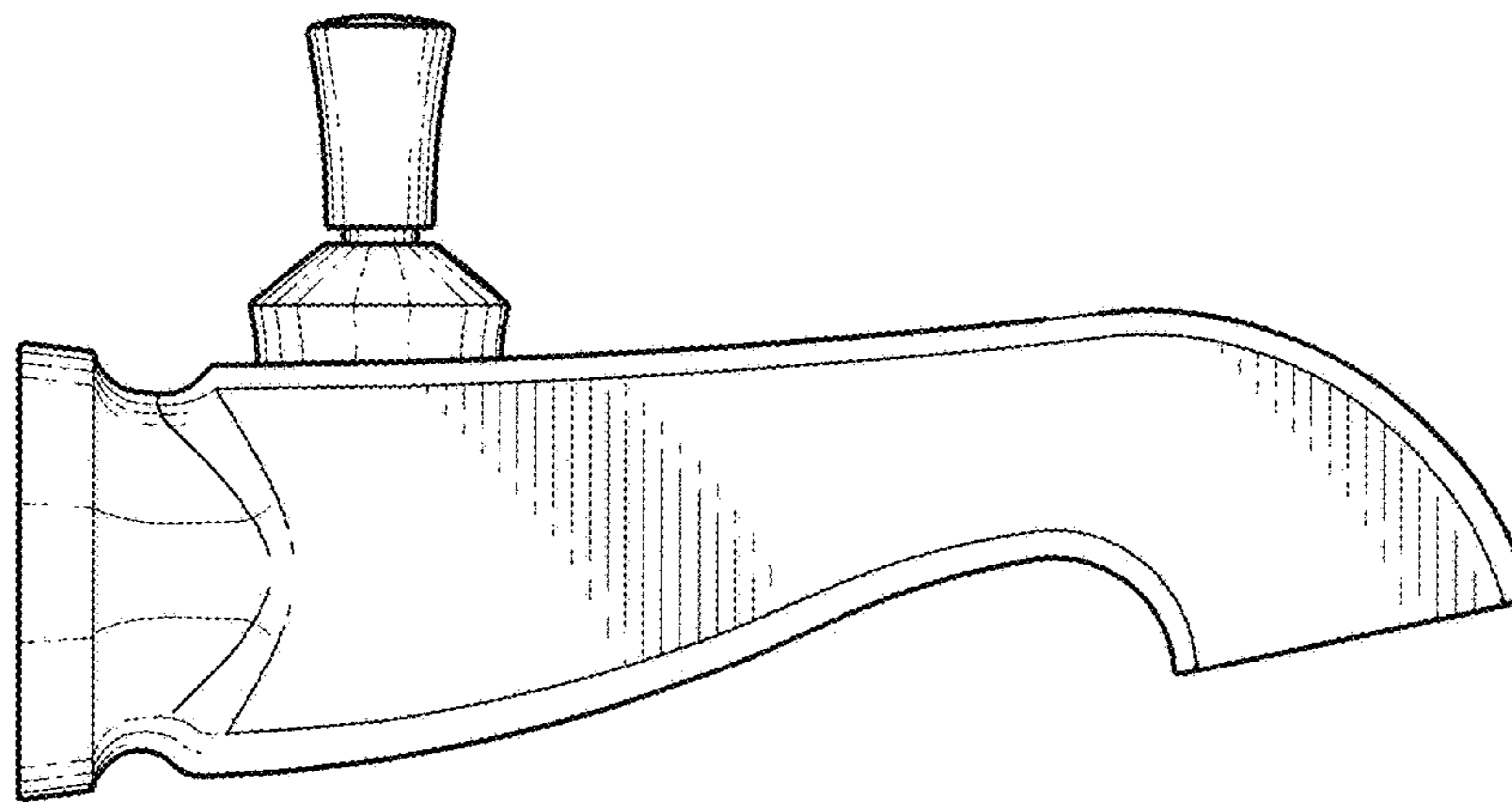


Fig-4

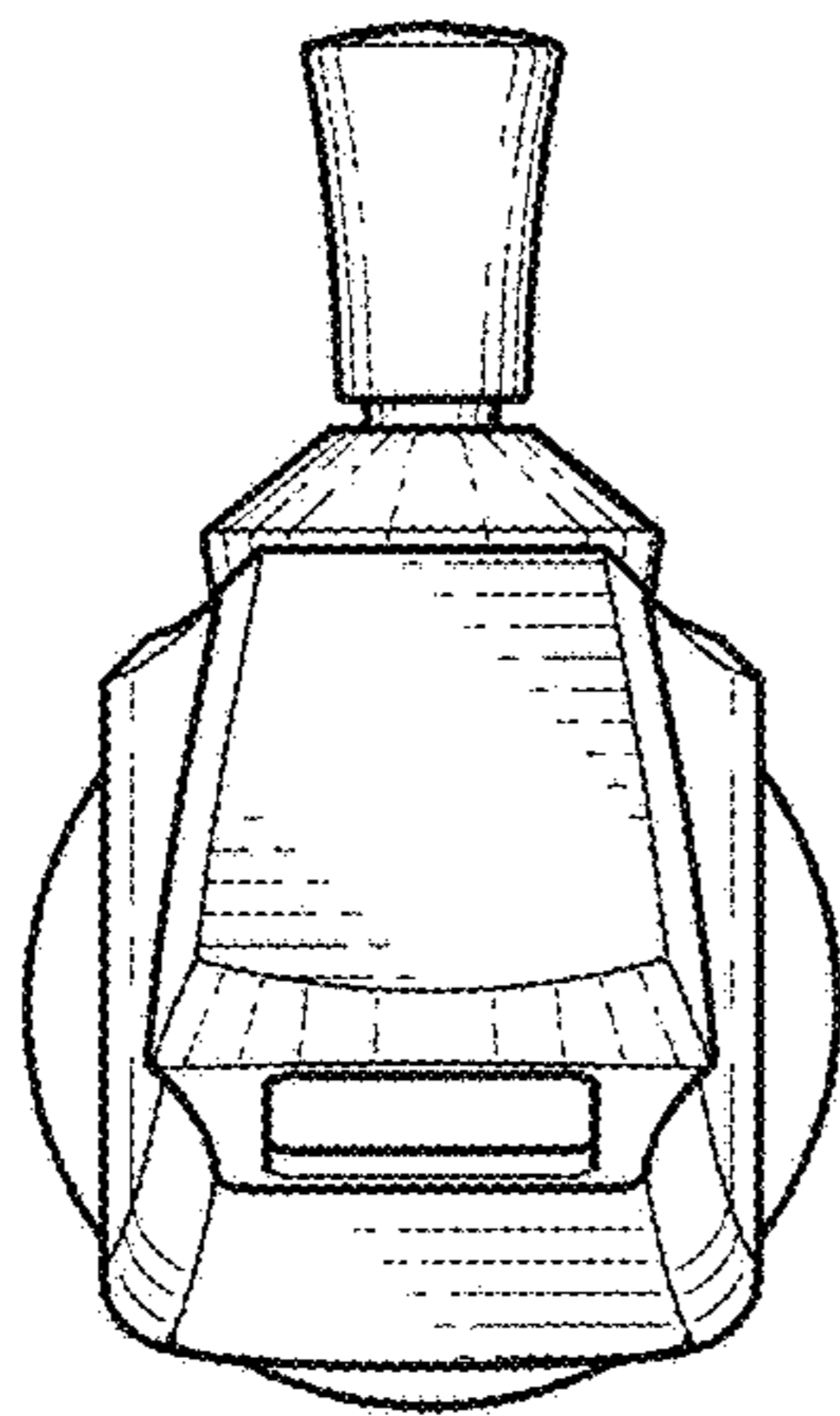


Fig-5

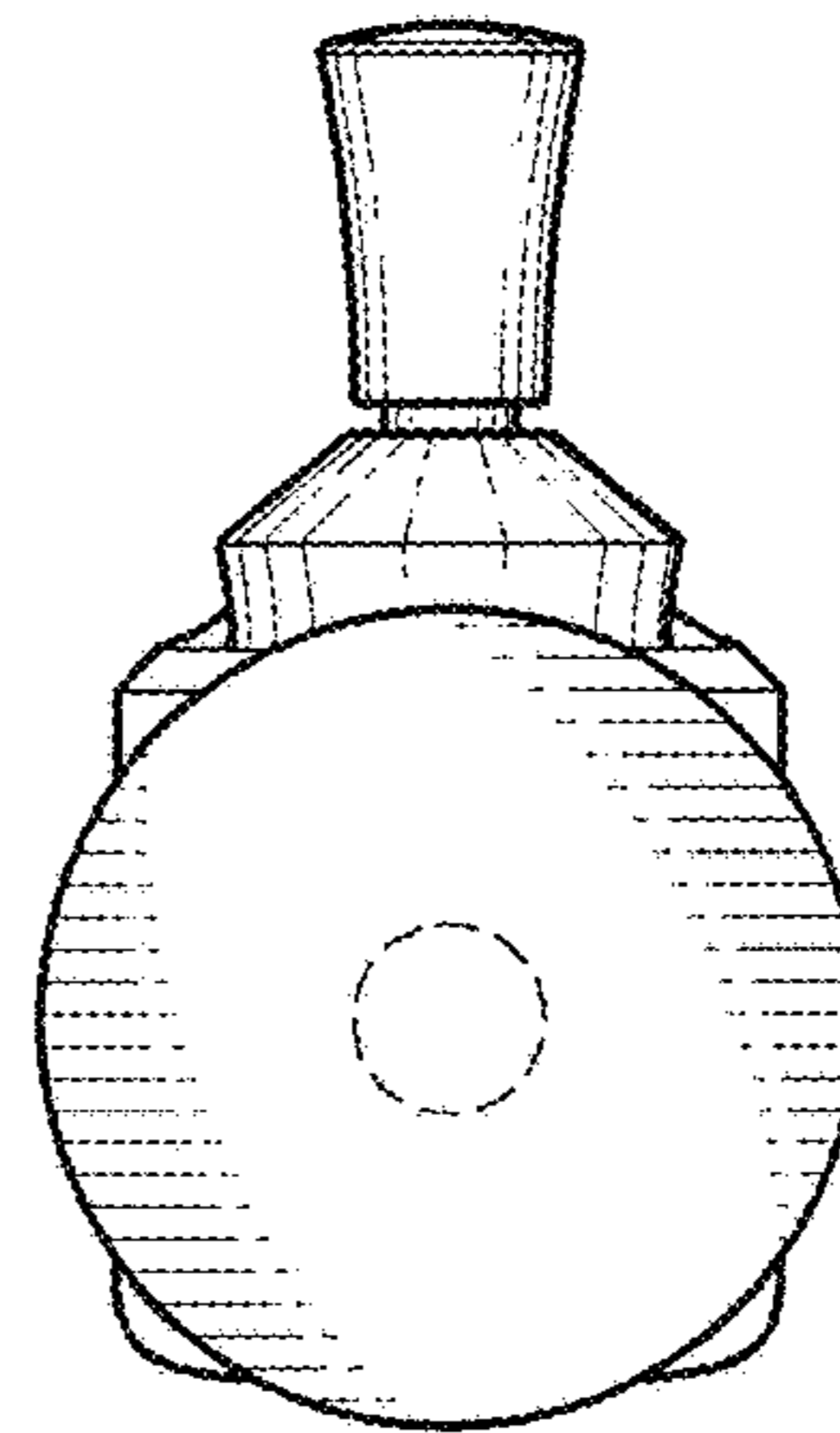


Fig-6