



US00D859602S

(12) **United States Design Patent** (10) **Patent No.:** **US D859,602 S**  
**Bahler** (45) **Date of Patent:** **\*\* Sep. 10, 2019**

- (54) **TUB SPOUT**
- (71) Applicant: **DELTA FAUCET COMPANY**,  
Indianapolis, IN (US)
- (72) Inventor: **Jordan Bahler**, Frankfort, IN (US)
- (73) Assignee: **DELTA FAUCET COMPANY**,  
Indianapolis, IN (US)
- (\*\*) Term: **15 Years**
- (21) Appl. No.: **29/646,135**
- (22) Filed: **May 2, 2018**
- (51) **LOC (12) Cl.** ..... **23-01**
- (52) **U.S. Cl.**  
USPC ..... **D23/255**
- (58) **Field of Classification Search**  
USPC ..... D23/238, 239–243, 255, 257  
See application file for complete search history.

- D719,243 S \* 12/2014 Fritz ..... D23/255
- D756,489 S \* 5/2016 Bahler ..... D23/257
- D767,733 S \* 9/2016 Hong ..... D23/255
- D791,282 S \* 7/2017 Bahler ..... D23/255
- D815,255 S \* 4/2018 Garland ..... D23/255

\* cited by examiner

*Primary Examiner* — Eric L Goodman  
*Assistant Examiner* — Amy C Wierenga  
 (74) *Attorney, Agent, or Firm* — Edgar A. Zarins; Nirav D. Parikh

(57) **CLAIM**

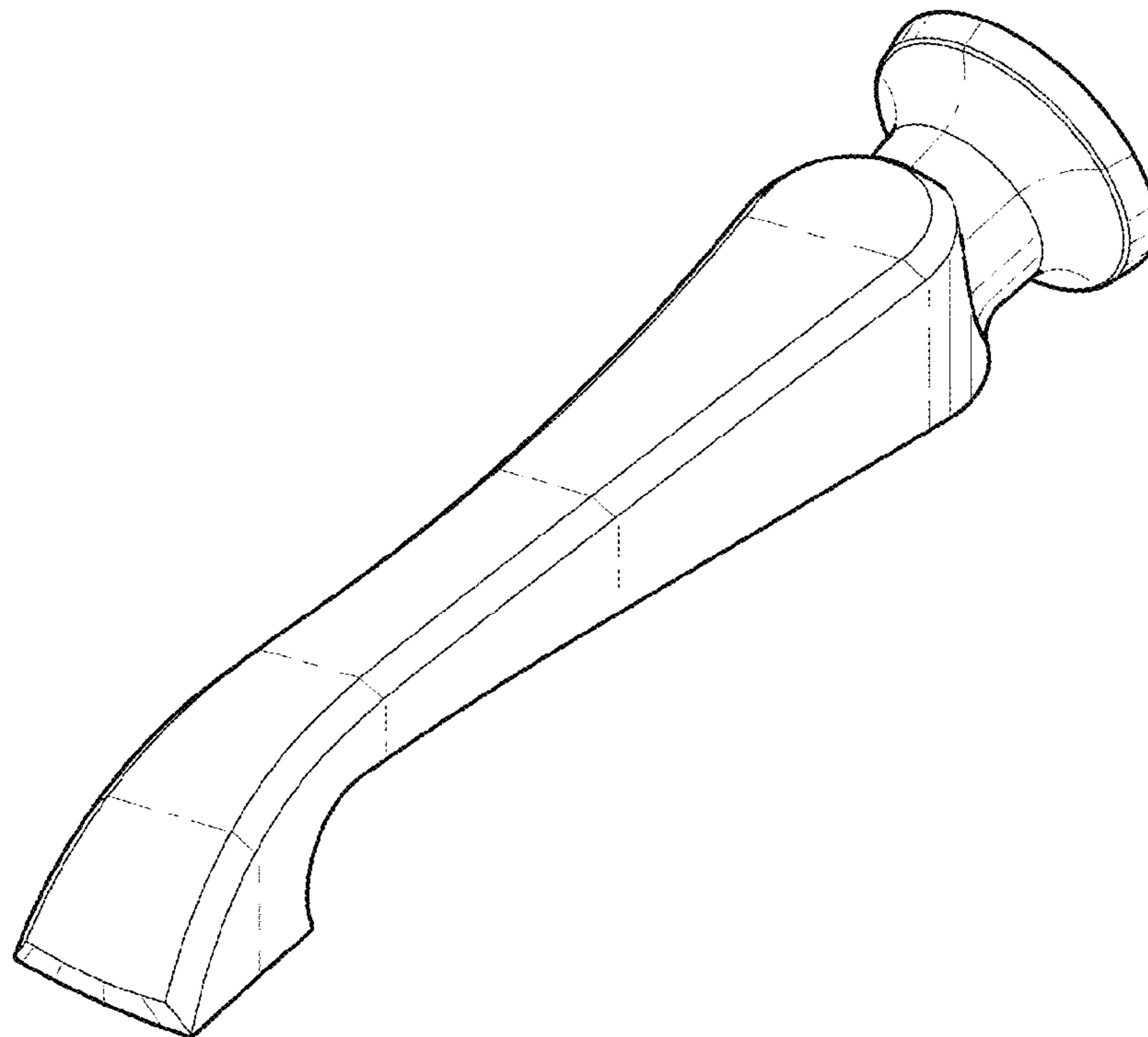
The ornamental design for a tub spout, as shown and described.

**DESCRIPTION**

FIG. 1 is a perspective view of a tub spout showing my new design;  
 FIG. 2 is a top plan view thereof;  
 FIG. 3 is a bottom view thereof;  
 FIG. 4 is a right side view thereof, the opposite side being a mirror image of the side shown;  
 FIG. 5 is a front end view thereof; and,  
 FIG. 6 is a rear view thereof.  
 The broken-line disclosure in the view represents a portion of the tub spout in which the claimed design is embodied, but which forms no part of the claimed design.

**1 Claim, 2 Drawing Sheets**

- (56) **References Cited**  
U.S. PATENT DOCUMENTS
- D462,750 S \* 9/2002 Lord ..... D23/255
- D463,534 S \* 9/2002 Lord ..... D23/255
- D530,793 S \* 10/2006 Sutopo ..... D23/255
- D570,456 S \* 6/2008 Hoernig ..... D23/255
- D573,695 S \* 7/2008 Rexach ..... D23/255
- D581,029 S \* 11/2008 Gilbert ..... D23/255
- D601,670 S \* 10/2009 Corbett ..... D23/255
- D712,520 S \* 9/2014 Citterio ..... D23/255



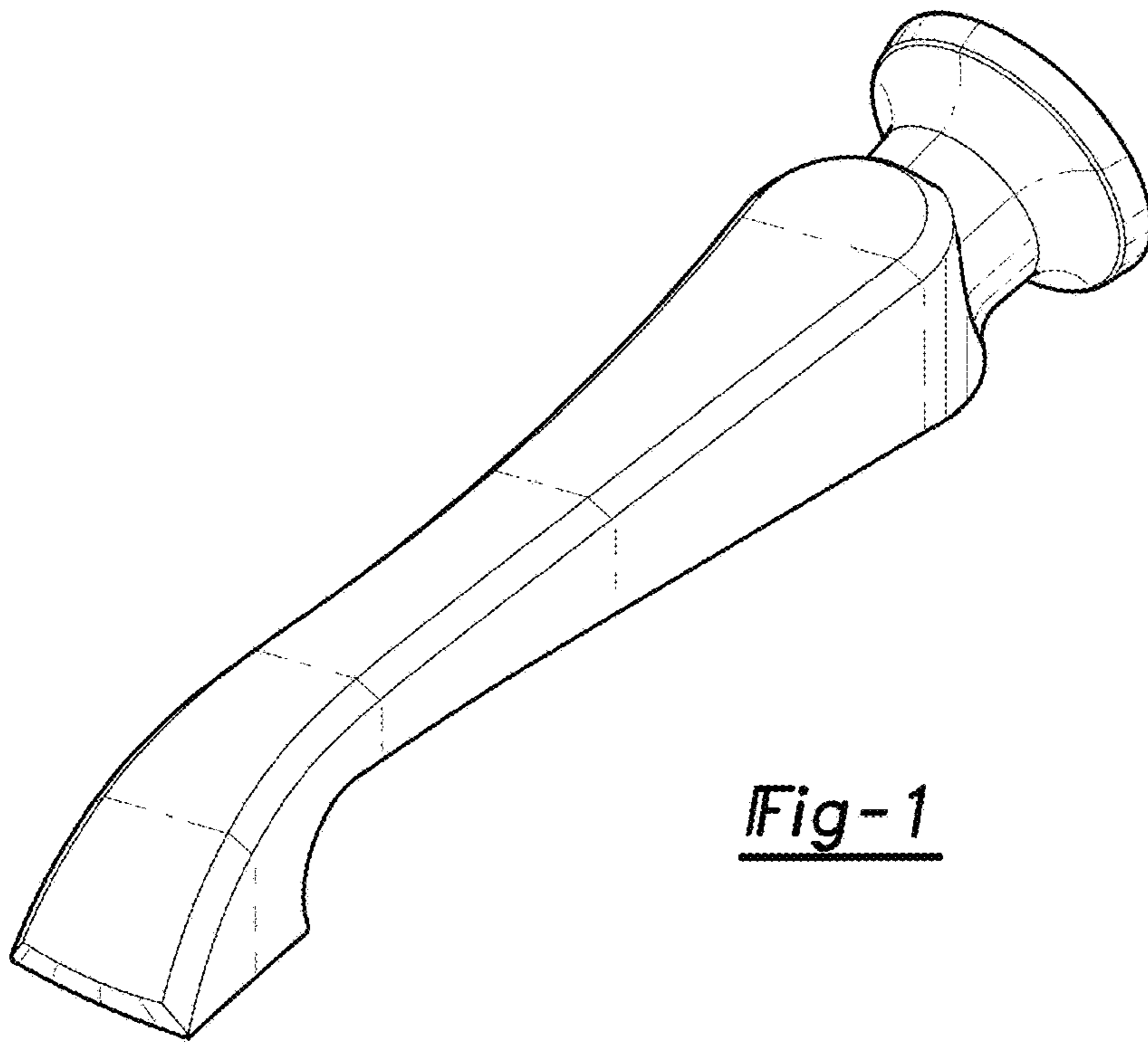


Fig-1

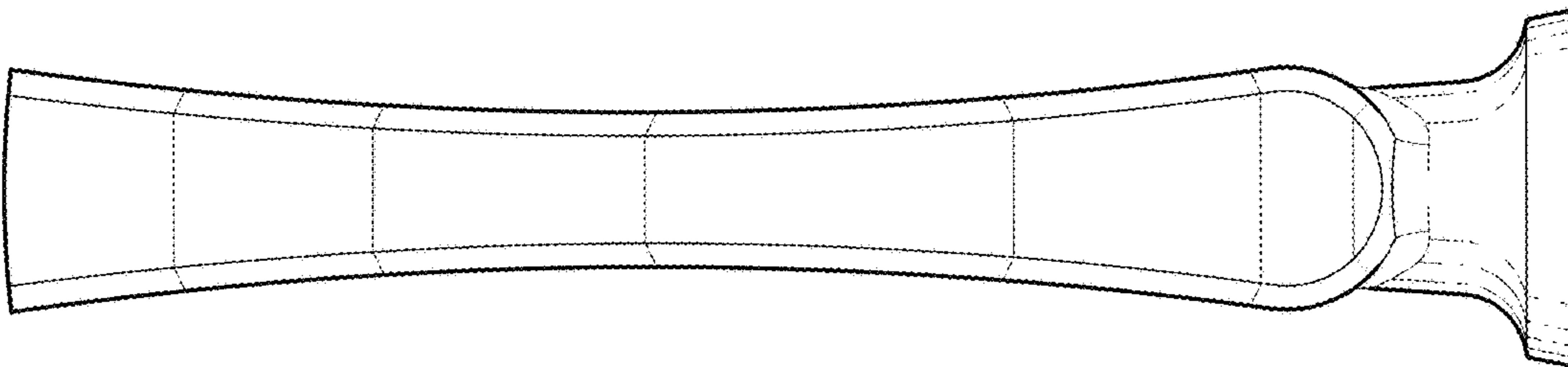


Fig-2

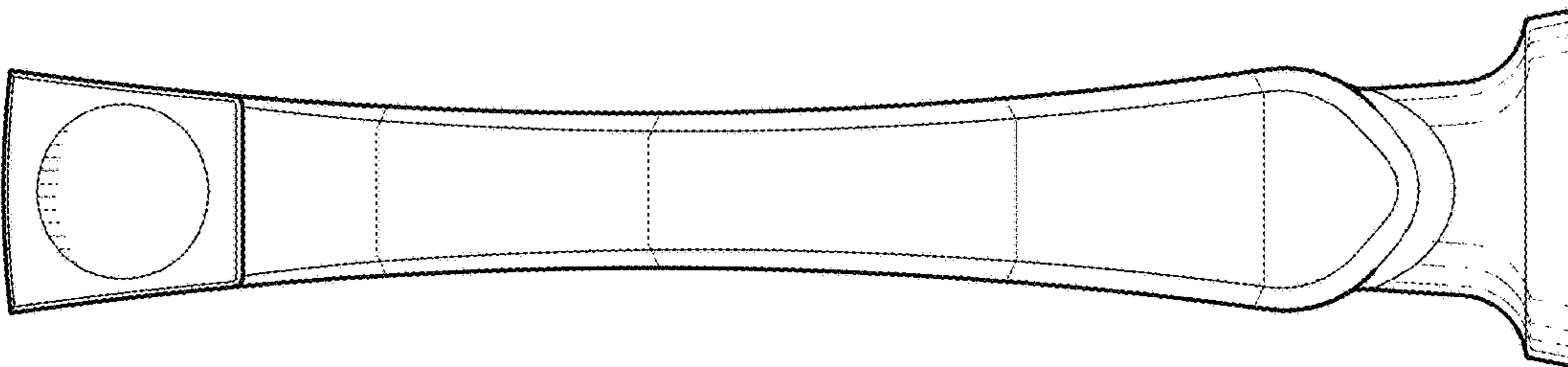


Fig-3

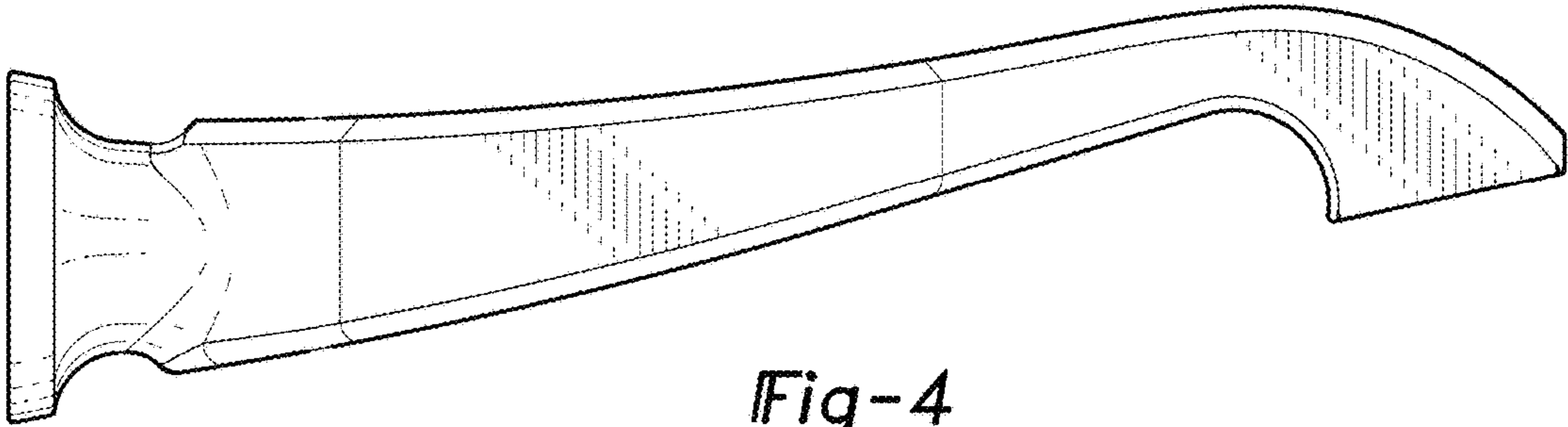


Fig-4

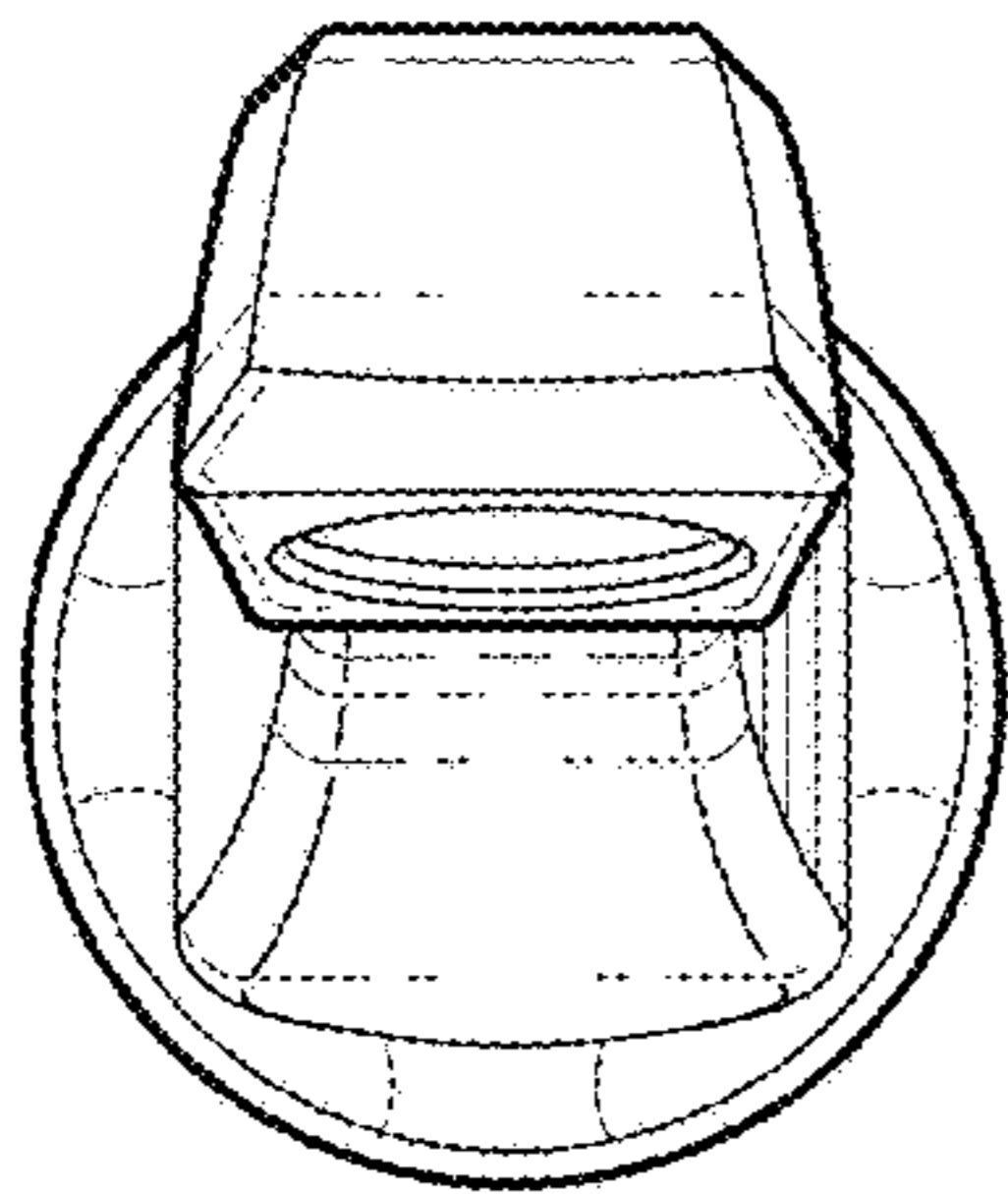


Fig-5

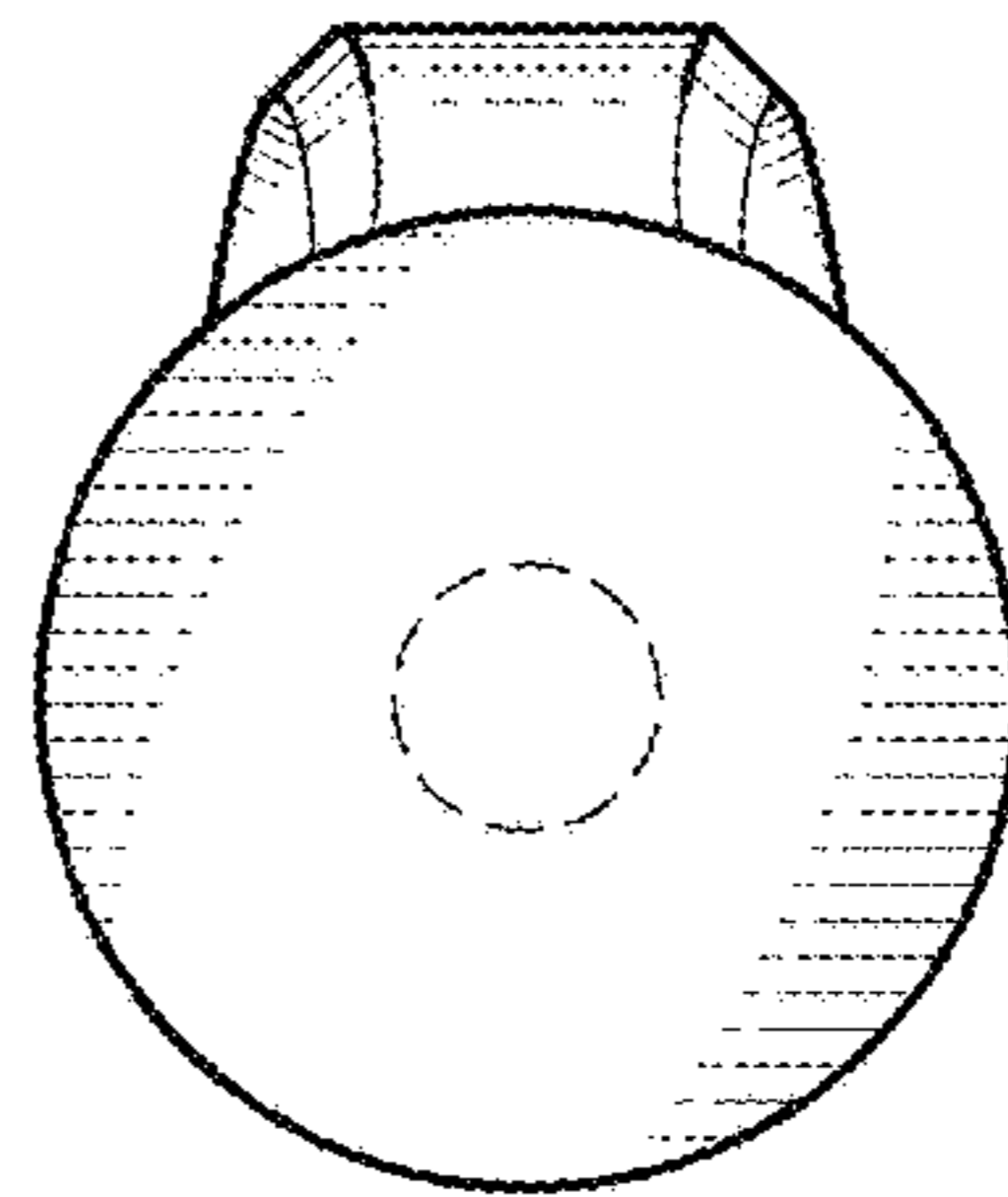


Fig-6