



US00D859600S

(12) **United States Design Patent**
Bahler

(10) **Patent No.:** **US D859,600 S**

(45) **Date of Patent:** **** Sep. 10, 2019**

(54) **VALVE**

D789,489 S * 6/2017 Garland D23/252
D789,493 S * 6/2017 Dube D23/254
D789,494 S * 6/2017 Dube D23/252

(71) Applicant: **DELTA FAUCET COMPANY,**
Indianapolis, IN (US)

* cited by examiner

(72) Inventor: **Jordan Bahler,** Frankfort, IN (US)

Primary Examiner — Eric L Goodman

(73) Assignee: **DELTA FAUCET COMPANY,**
Indianapolis, IN (US)

Assistant Examiner — Amy C Wierenga

(74) *Attorney, Agent, or Firm* — Edgar A. Zarins; Nirav
D. Parikh

(**) Term: **15 Years**

(21) Appl. No.: **29/646,061**

(57) **CLAIM**

The ornamental design for a valve, as shown and described.

(22) Filed: **May 1, 2018**

(51) **LOC (12) Cl.** **23-01**

DESCRIPTION

(52) **U.S. Cl.**
USPC **D23/254**

(58) **Field of Classification Search**
USPC D23/238, 239–243, 249–250, 252–254
See application file for complete search history.

FIG. 1 is a perspective view of a valve showing my new design;

FIG. 2 is a right side view thereof, the opposite side being a mirror image of the side shown;

FIG. 3 is a top plan view thereof;

FIG. 4 is a bottom view thereof;

FIG. 5 is a front elevational view thereof; and,

FIG. 6 is a rear view thereof.

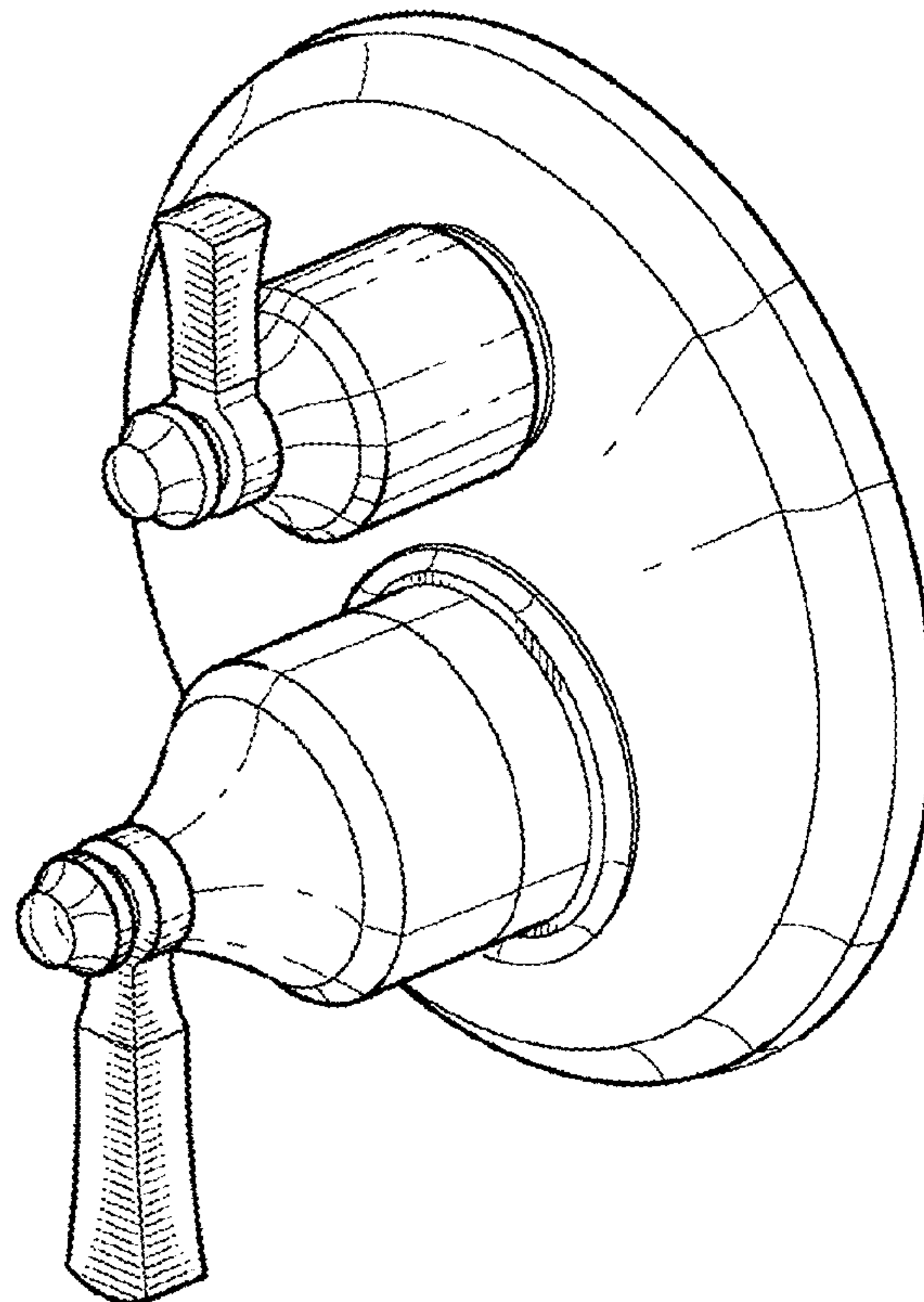
The broken-line disclosure in the view represents a portion of the valve in which the claimed design is embodied, but which forms no part of the claimed design.

(56) **References Cited**

U.S. PATENT DOCUMENTS

D579,529 S * 10/2008 Bickler D23/254
D648,833 S * 11/2011 Obara D23/252
D651,693 S * 1/2012 Flowers D23/252
D700,298 S * 2/2014 Flowers D23/254
D700,957 S * 3/2014 Mendoza D23/254

1 Claim, 3 Drawing Sheets



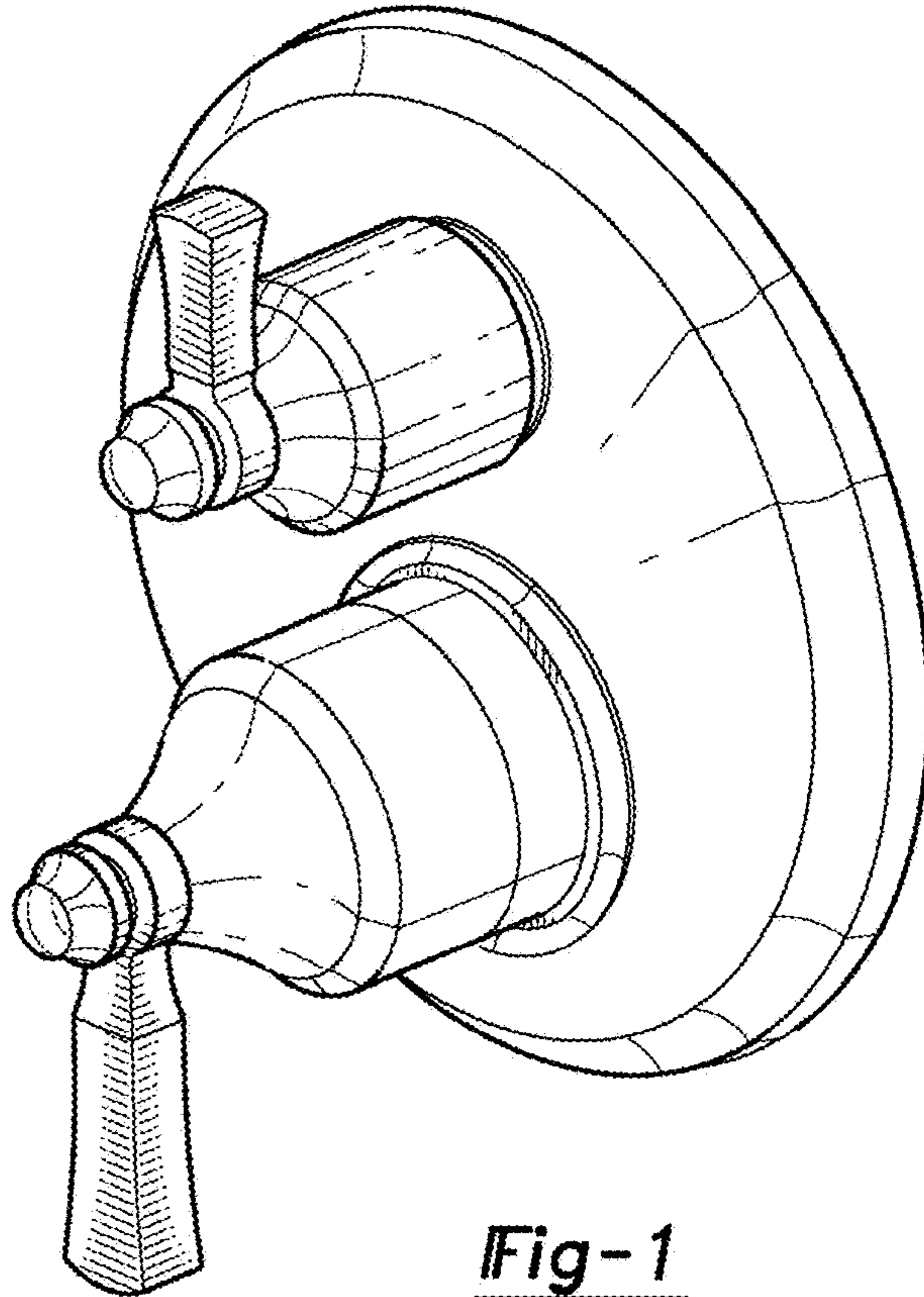


Fig-1

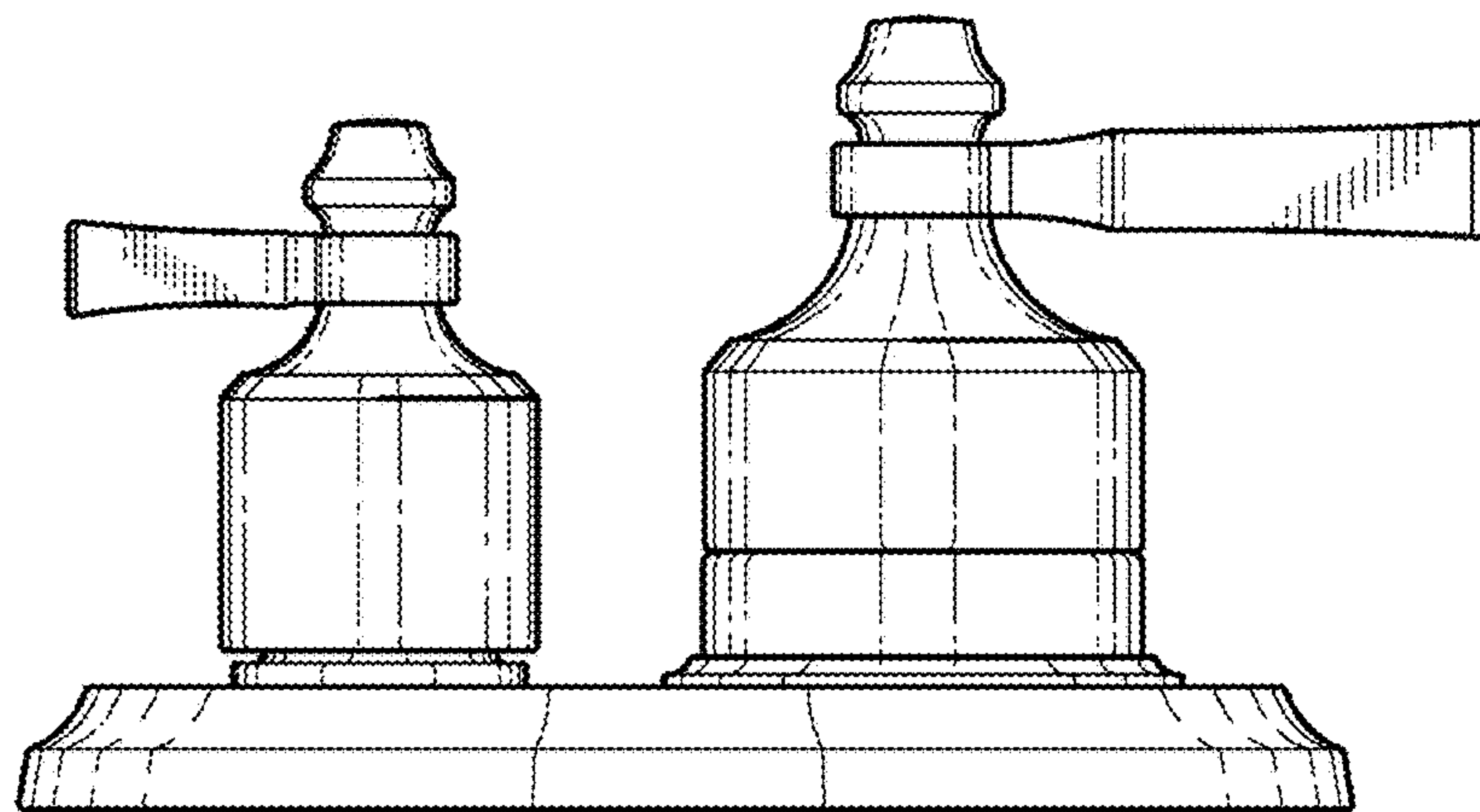


Fig-2

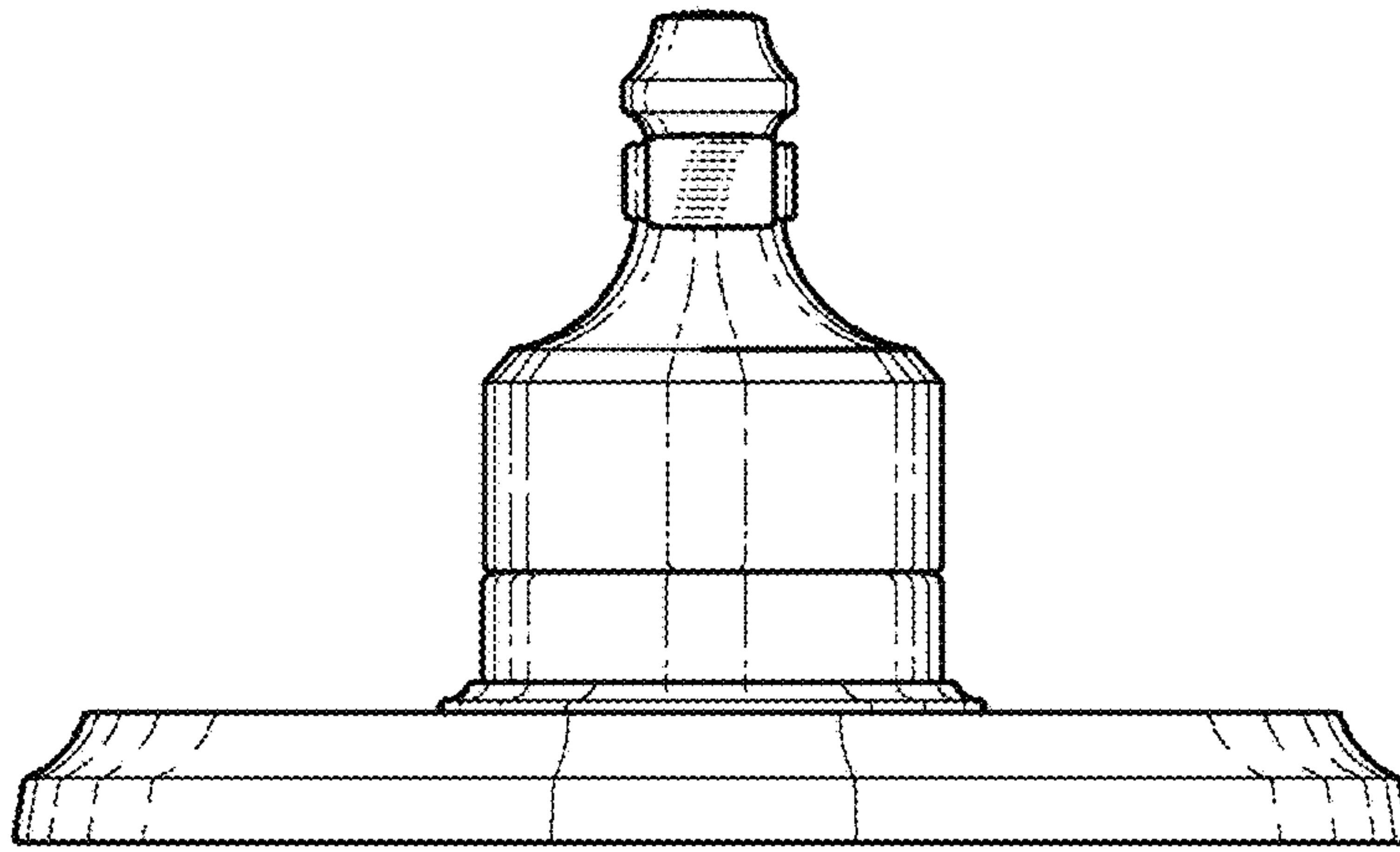


Fig-3

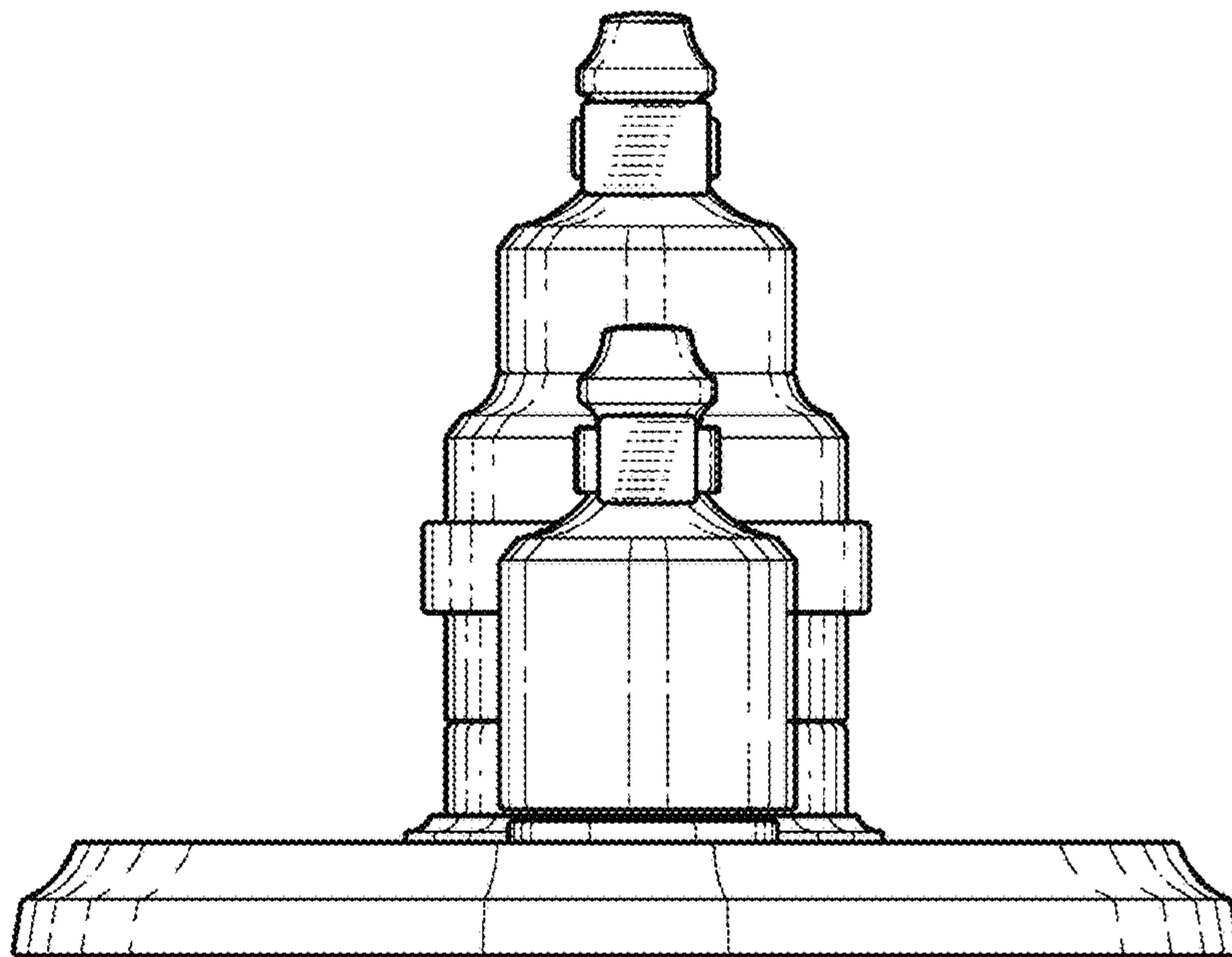


Fig-4

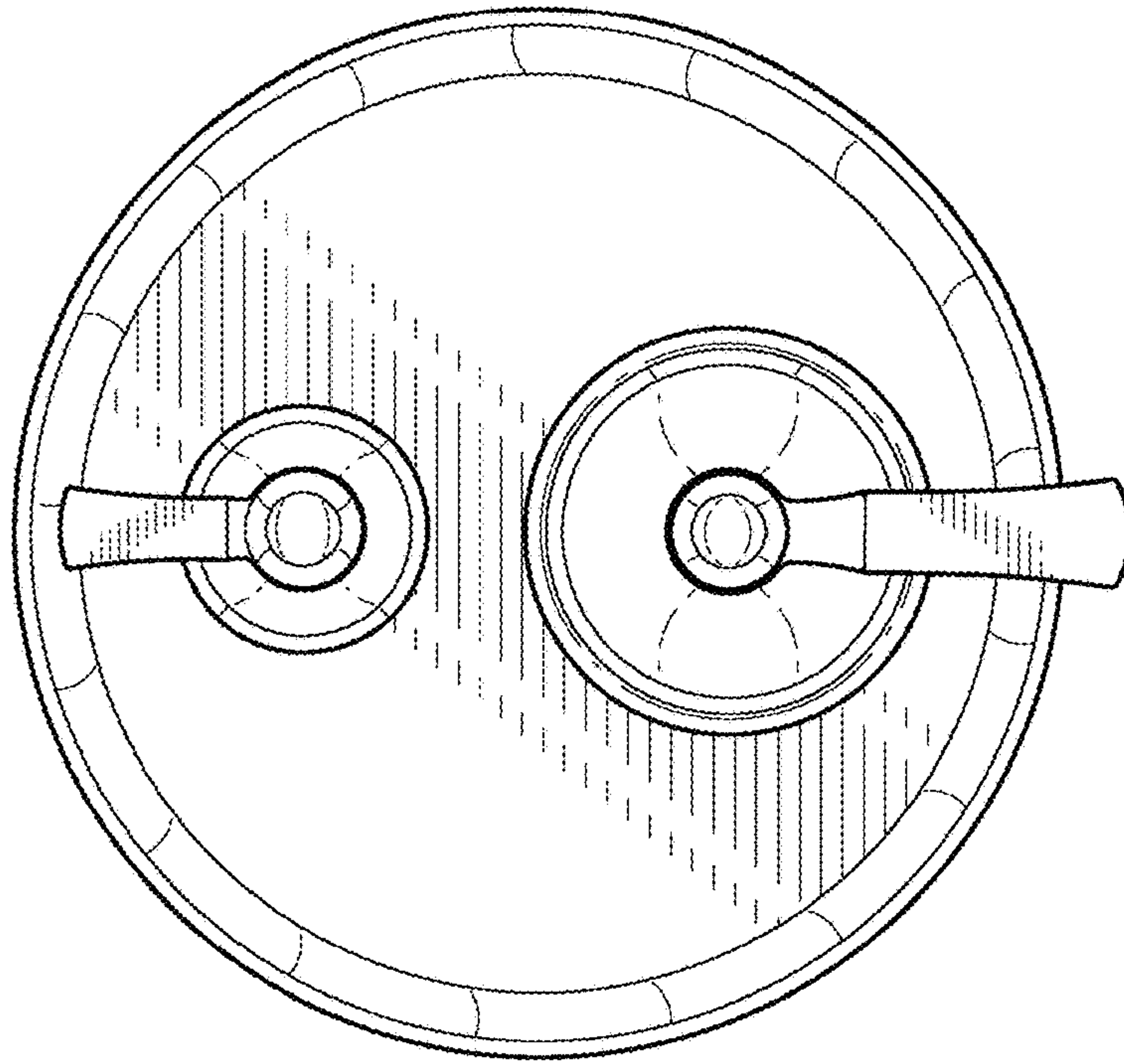


Fig-5

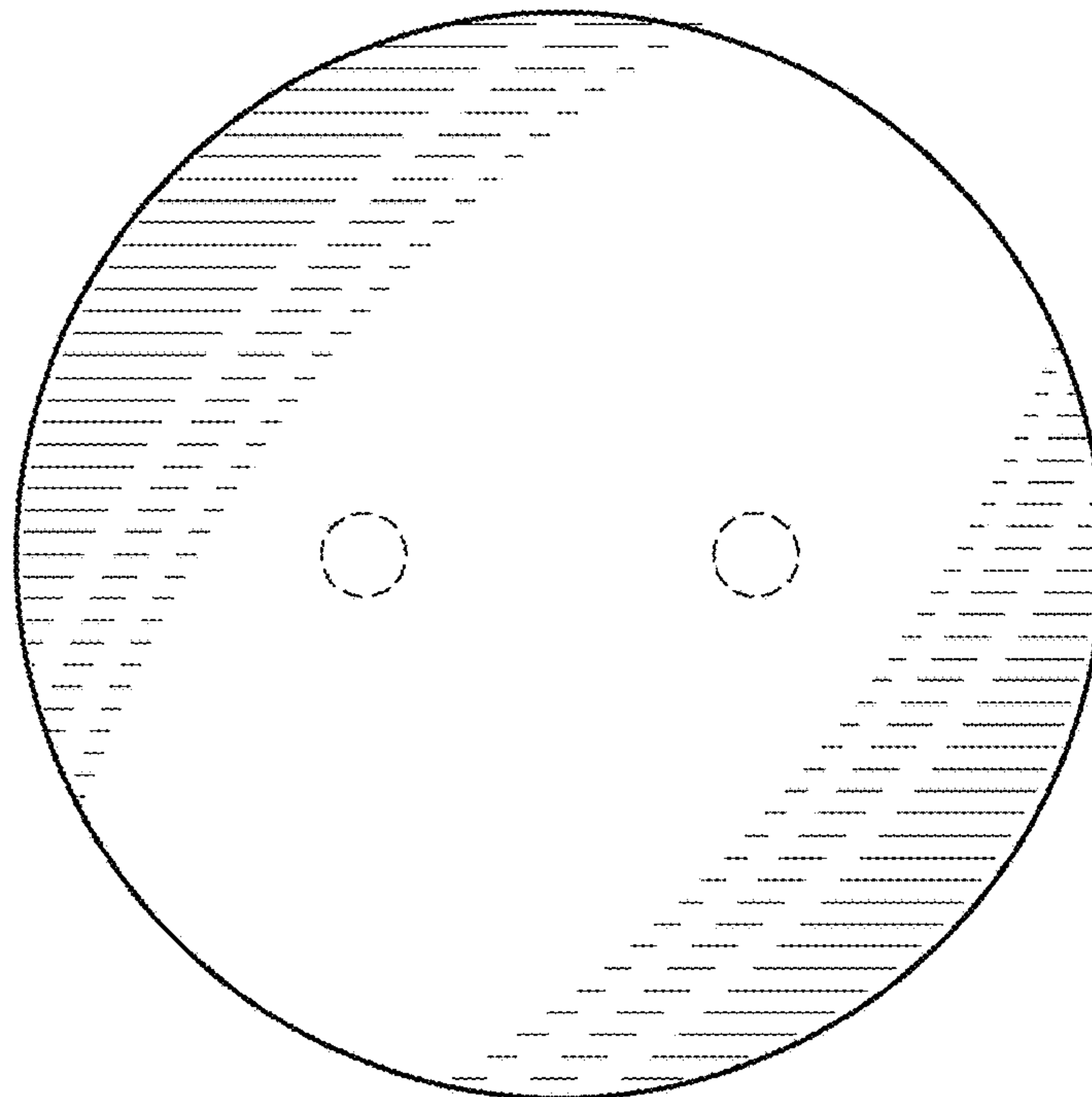


Fig-6