



US00D859599S

(12) **United States Design Patent** (10) **Patent No.:** **US D859,599 S**
Bahler (45) **Date of Patent:** **** Sep. 10, 2019**

(54) **FAUCET HANDLE**
(71) Applicant: **DELTA FAUCET COMPANY,**
Indianapolis, IN (US)
(72) Inventor: **Jordan Bahler,** Frankfort, IN (US)
(73) Assignee: **DELTA FAUCET COMPANY,**
Indianapolis, IN (US)
(**) Term: **15 Years**
(21) Appl. No.: **29/646,356**
(22) Filed: **May 3, 2018**
(51) **LOC (12) Cl.** **23-01**
(52) **U.S. Cl.**
USPC **D23/253**
(58) **Field of Classification Search**
USPC D23/239-243, 249-250, 252-254, 309,
D23/313; D8/300, 307-308
CPC Y10T 137/9464
See application file for complete search history.

D630,713 S * 1/2011 Romero D23/253
D672,437 S * 12/2012 Kwok D23/253
D676,939 S * 2/2013 Kwok D23/253
D713,015 S * 9/2014 Schoenherr D23/253
D718,423 S * 11/2014 Rexach D23/253
D731,029 S * 6/2015 Fritz D23/253
D796,642 S * 9/2017 Andrew D23/253

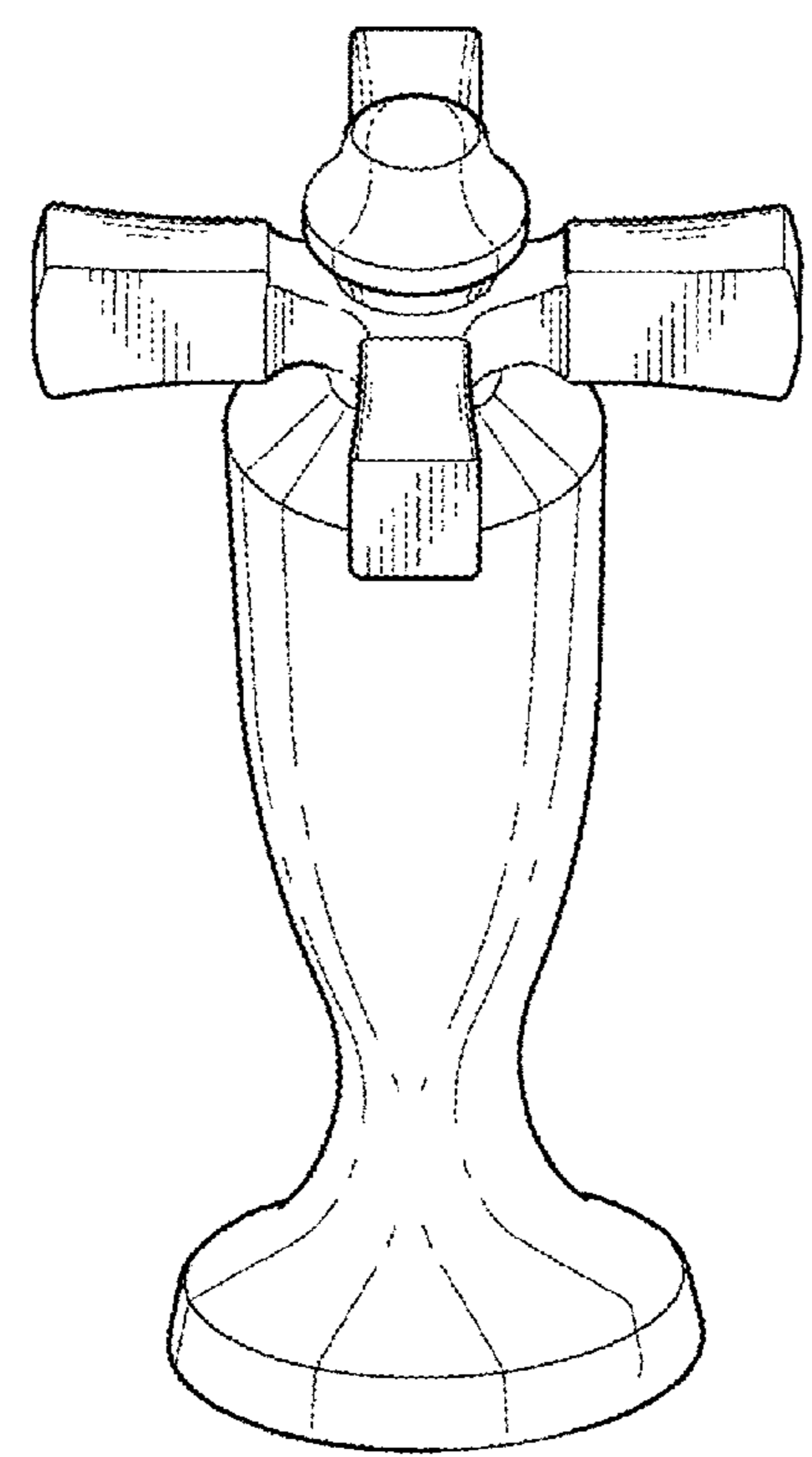
* cited by examiner
Primary Examiner — Eric L Goodman
Assistant Examiner — Amy C Wierenga
(74) *Attorney, Agent, or Firm* — Edgar A. Zarins; Nirav D. Parikh

(57) **CLAIM**
The ornamental design for a faucet handle, as shown and described.

DESCRIPTION
FIG. 1 is a perspective view of a faucet handle showing my new design;
FIG. 2 is a first side view thereof, the opposite side being a mirror image of the side shown;
FIG. 3 is a top plan view thereof;
FIG. 4 is a second side view thereof, the opposite side being a mirror image of the side shown; and,
FIG. 5 is a bottom view thereof.
The broken-line disclosure in the view represents a portion of the faucet handle in which the claimed design is embodied, but which forms no part of the claimed design.

(56) **References Cited**
U.S. PATENT DOCUMENTS
D76,903 S * 11/1928 Smith D23/254
D405,508 S * 2/1999 Doughty D23/252
D465,268 S * 11/2002 Mullenmeister D23/253
D509,285 S * 9/2005 Blattner D23/252
D568,968 S * 5/2008 Hoernig D23/253
D582,014 S * 12/2008 Spangler D23/253

1 Claim, 2 Drawing Sheets



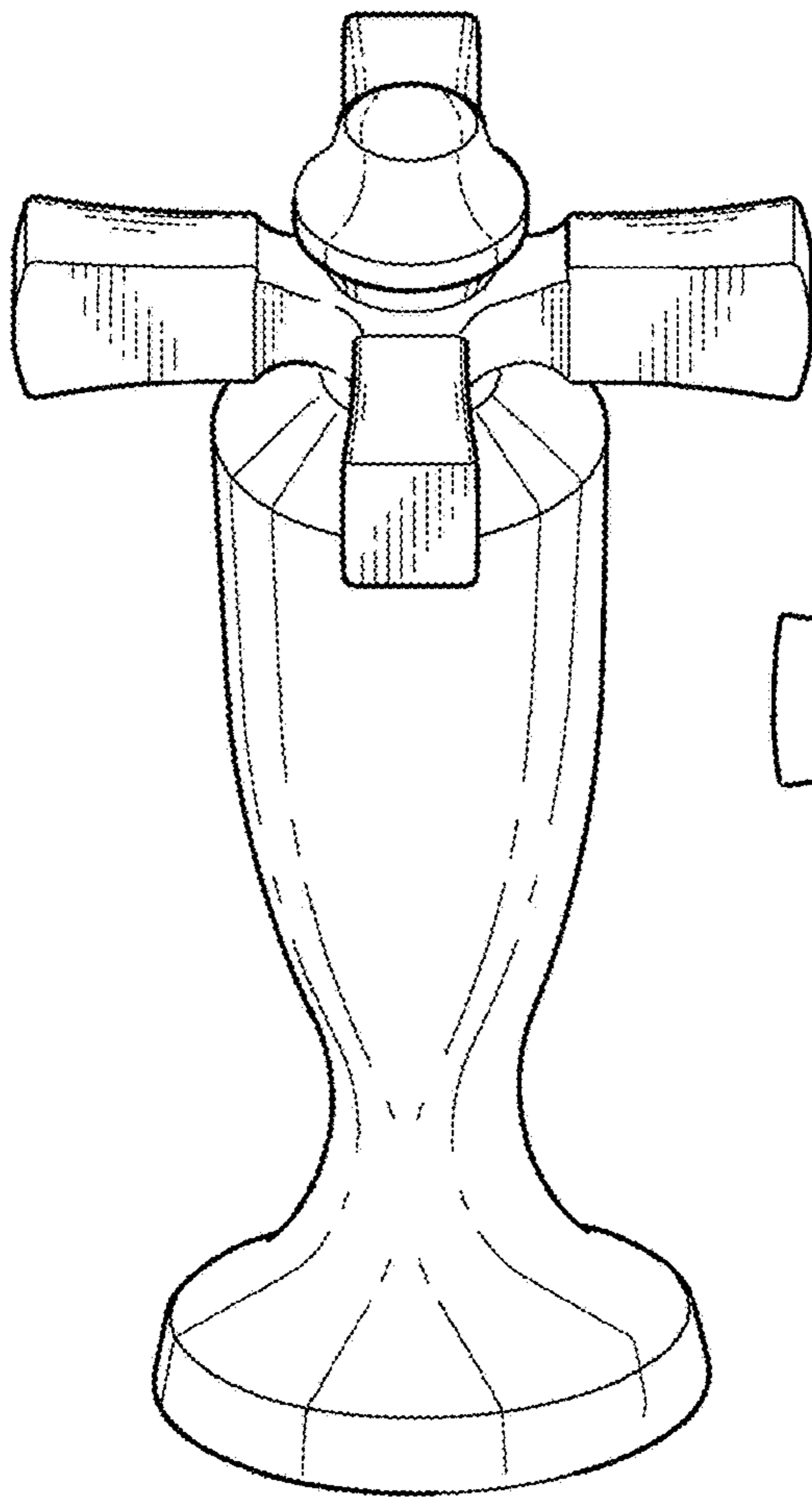


Fig-1

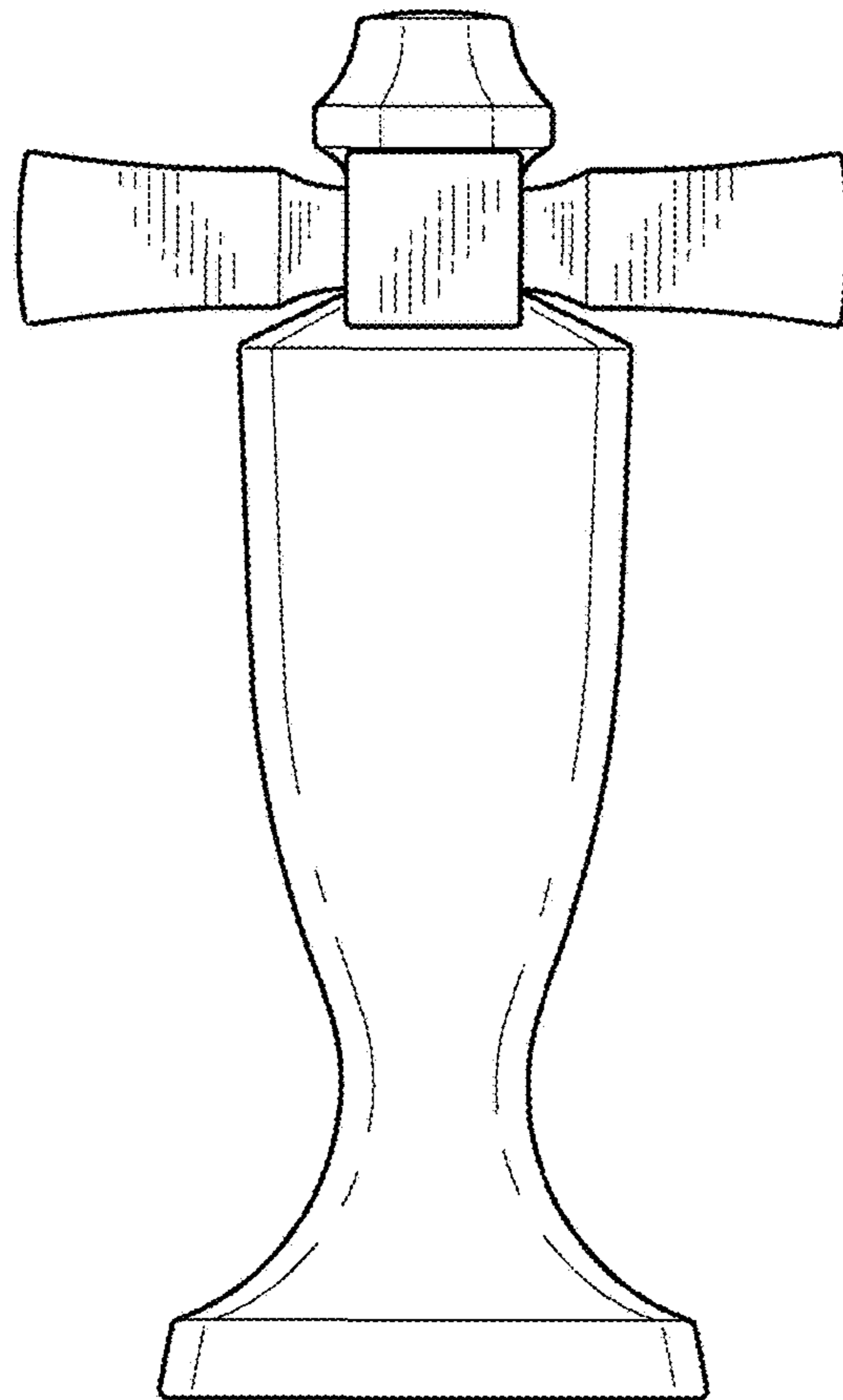


Fig-2

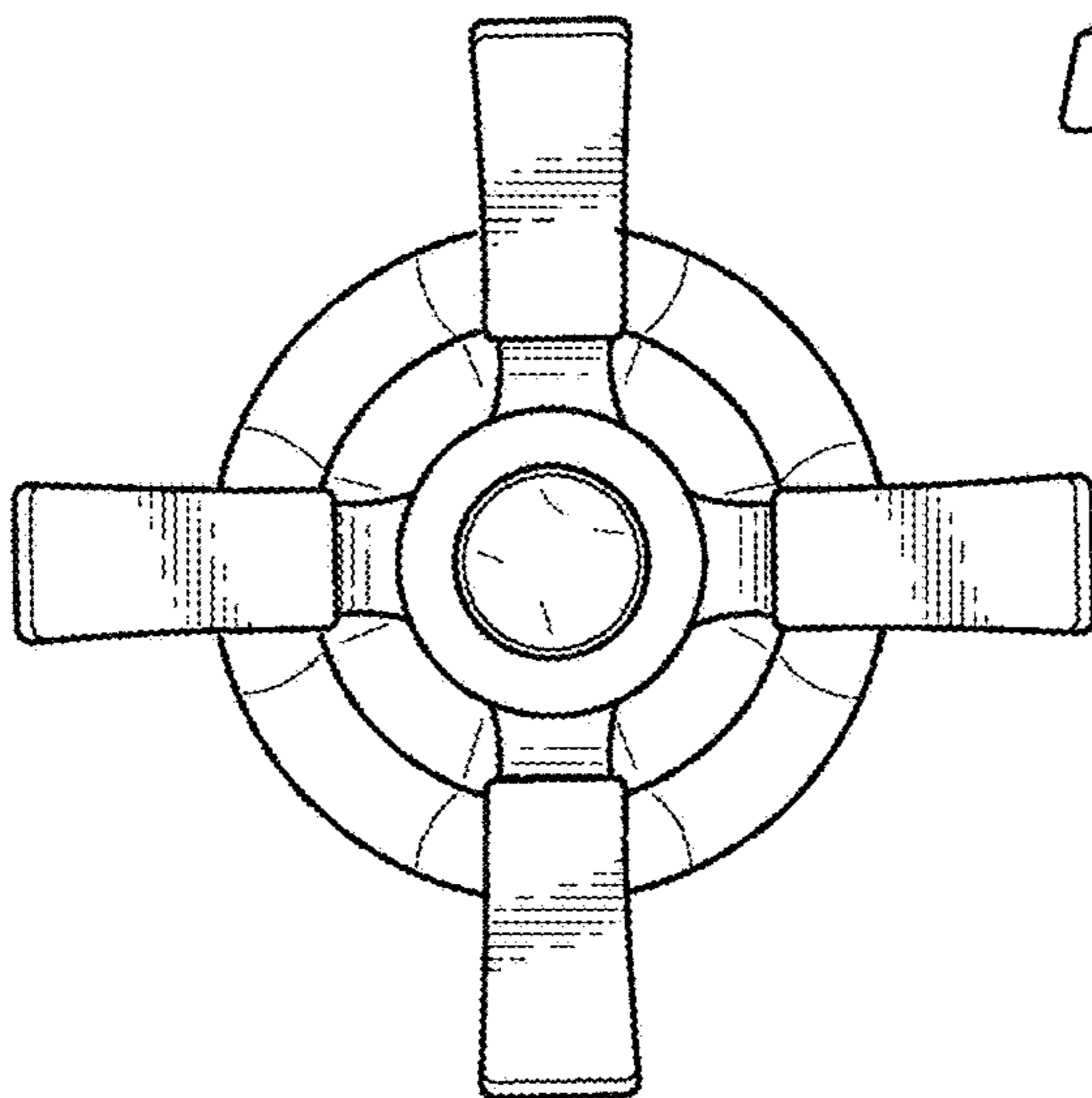


Fig-3

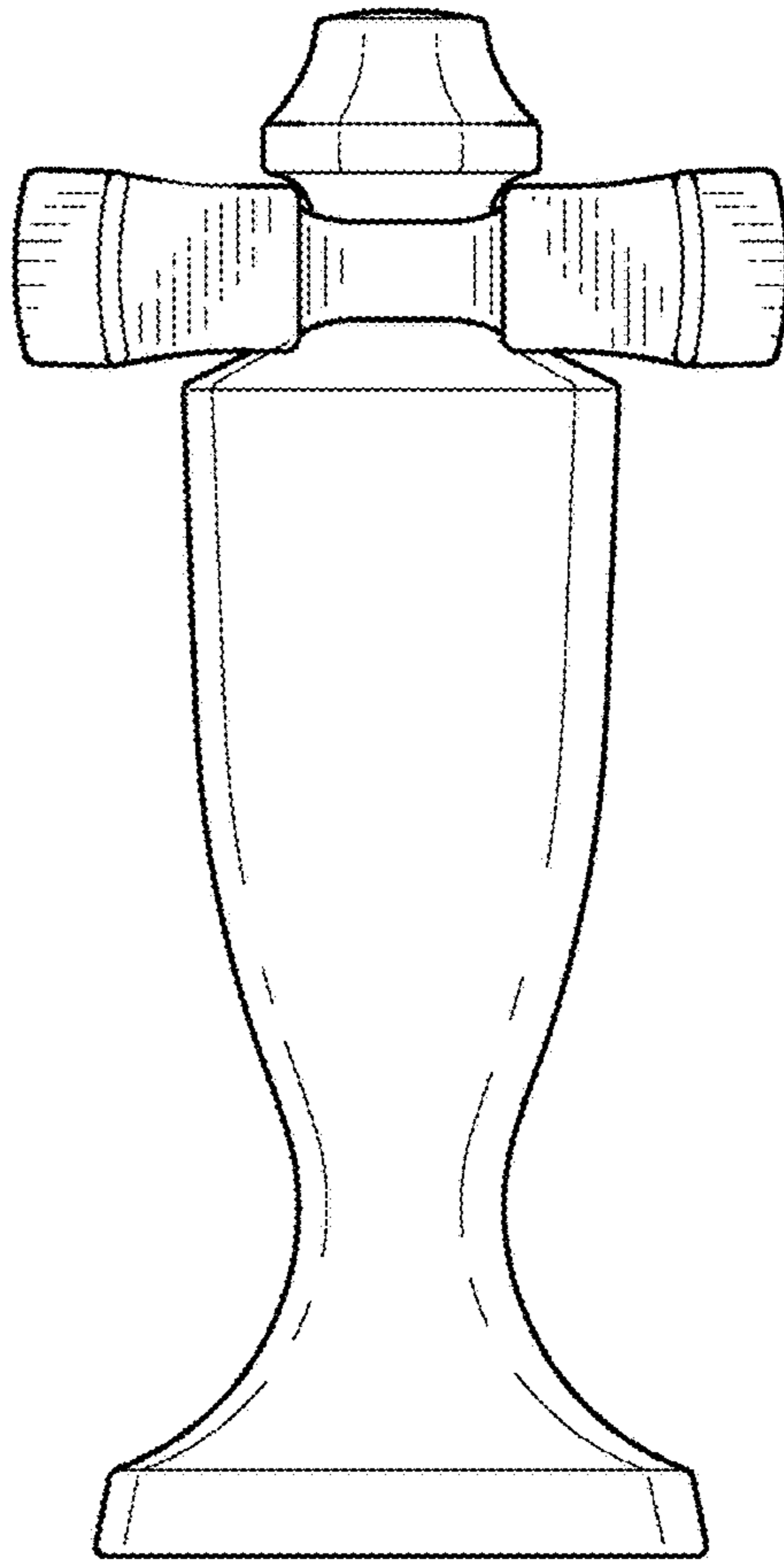


Fig-4

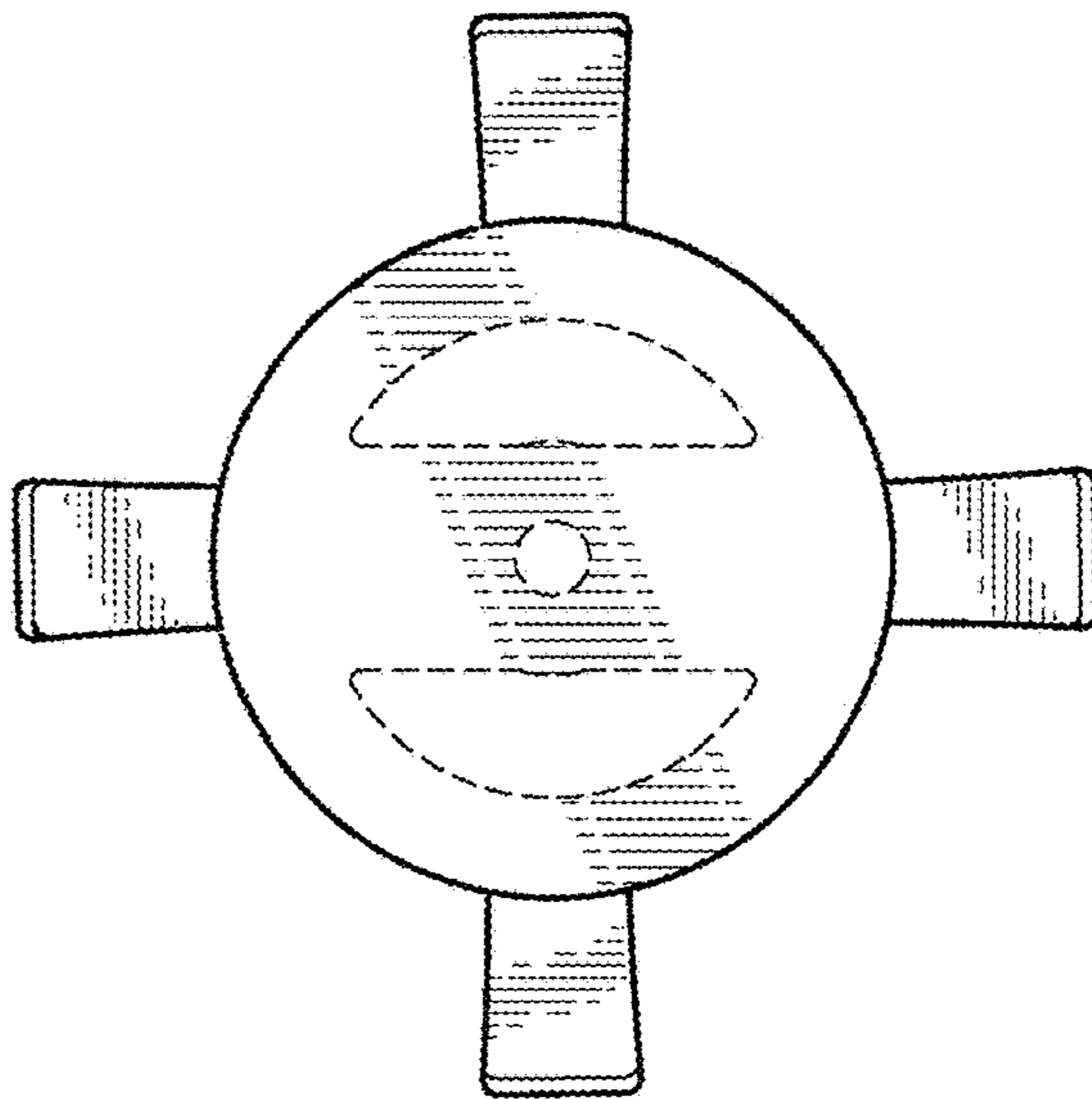


Fig-5