



US00D859598S

(12) **United States Design Patent** (10) **Patent No.:** **US D859,598 S**
Bahler (45) **Date of Patent:** **** Sep. 10, 2019**

(54) **FAUCET HANDLE**
(71) Applicant: **DELTA FAUCET COMPANY,**
Indianapolis, IN (US)
(72) Inventor: **Jordan Bahler,** Frankfort, IN (US)
(73) Assignee: **DELTA FAUCET COMPANY,**
Indianapolis, IN (US)
(**) Term: **15 Years**
(21) Appl. No.: **29/646,184**
(22) Filed: **May 2, 2018**
(51) **LOC (12) Cl.** **23-01**
(52) **U.S. Cl.**
USPC **D23/253**
(58) **Field of Classification Search**
USPC D23/239-243, 249-250, 252-254, 309,
D23/313; D8/300, 307-308
CPC Y10T 137/9464
See application file for complete search history.

D466,987 S * 12/2002 Smith D23/253
D538,403 S * 3/2007 Sallick D23/253
D541,908 S * 5/2007 Haug D23/253
D563,192 S * 3/2008 Barry D23/245
D570,963 S * 6/2008 Hoernig D23/253
D669,557 S * 10/2012 Citterio D23/253
D713,015 S * 9/2014 Schoenherr D23/253

* cited by examiner

Primary Examiner — Eric L Goodman

Assistant Examiner — Amy C Wierenga

(74) *Attorney, Agent, or Firm* — Edgar A. Zarins; Nirav D. Parikh

(57) **CLAIM**

The ornamental design for a faucet handle, as shown and described.

DESCRIPTION

FIG. 1 is a perspective view of a faucet handle showing my new design;
FIG. 2 is a top plan view thereof;
FIG. 3 is a first side view thereof, the opposite side being a mirror image of the side shown;
FIG. 4 is a second side view thereof, the opposite side being a mirror image of the side shown; and,
FIG. 5 is a bottom view thereof.

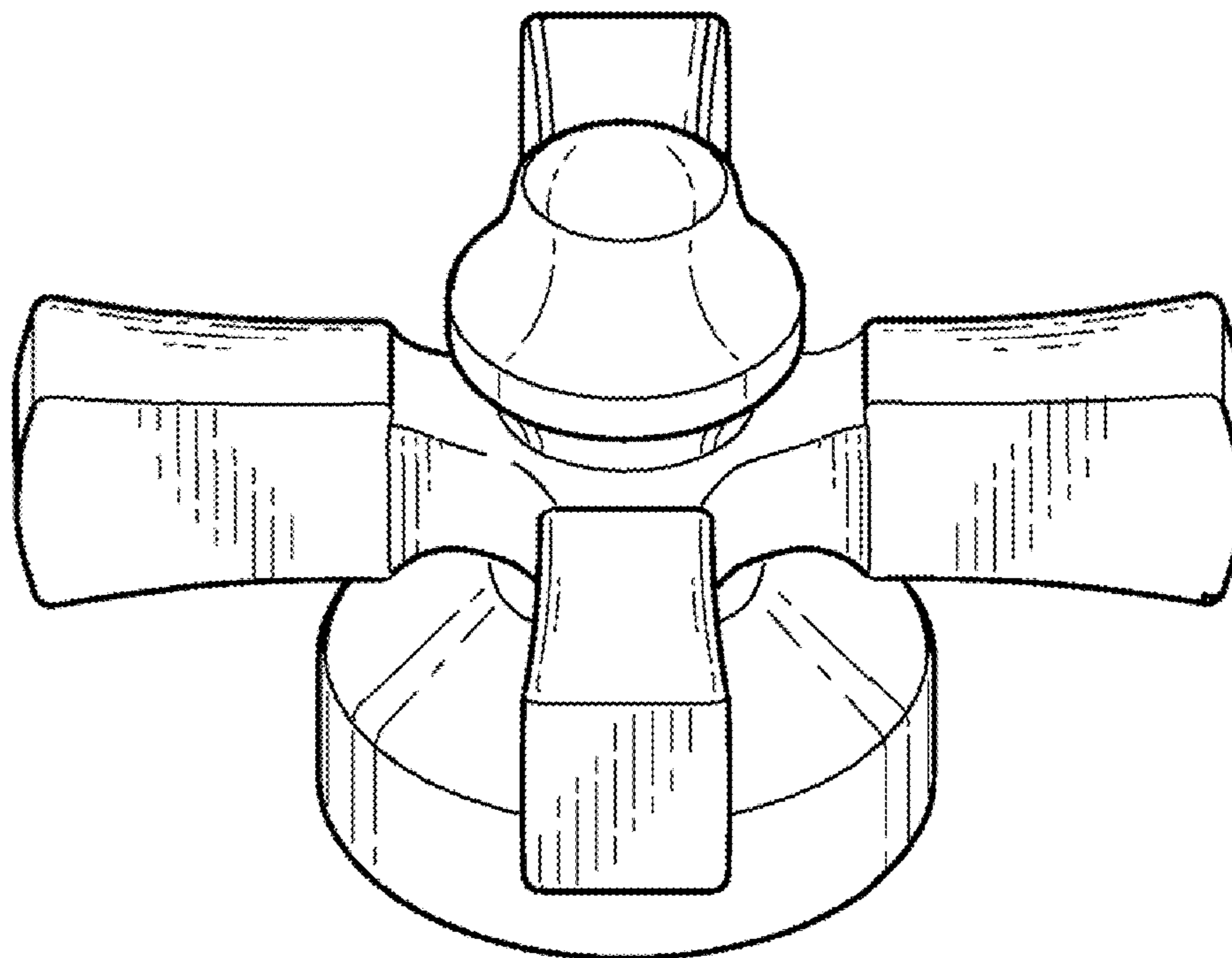
The broken-line disclosure in the view represents a portion of the faucet handle in which the claimed design is embodied, but which forms no part of the claimed design.

1 Claim, 2 Drawing Sheets

(56) **References Cited**

U.S. PATENT DOCUMENTS

D276,544 S * 11/1984 Piesco D23/254
D325,958 S * 5/1992 Stairs, Jr. D23/253
D404,802 S * 1/1999 Delker D23/252
D405,163 S * 2/1999 Doughty D23/252
D414,845 S * 10/1999 Hyde D23/253
D418,205 S * 12/1999 Hyde D23/253



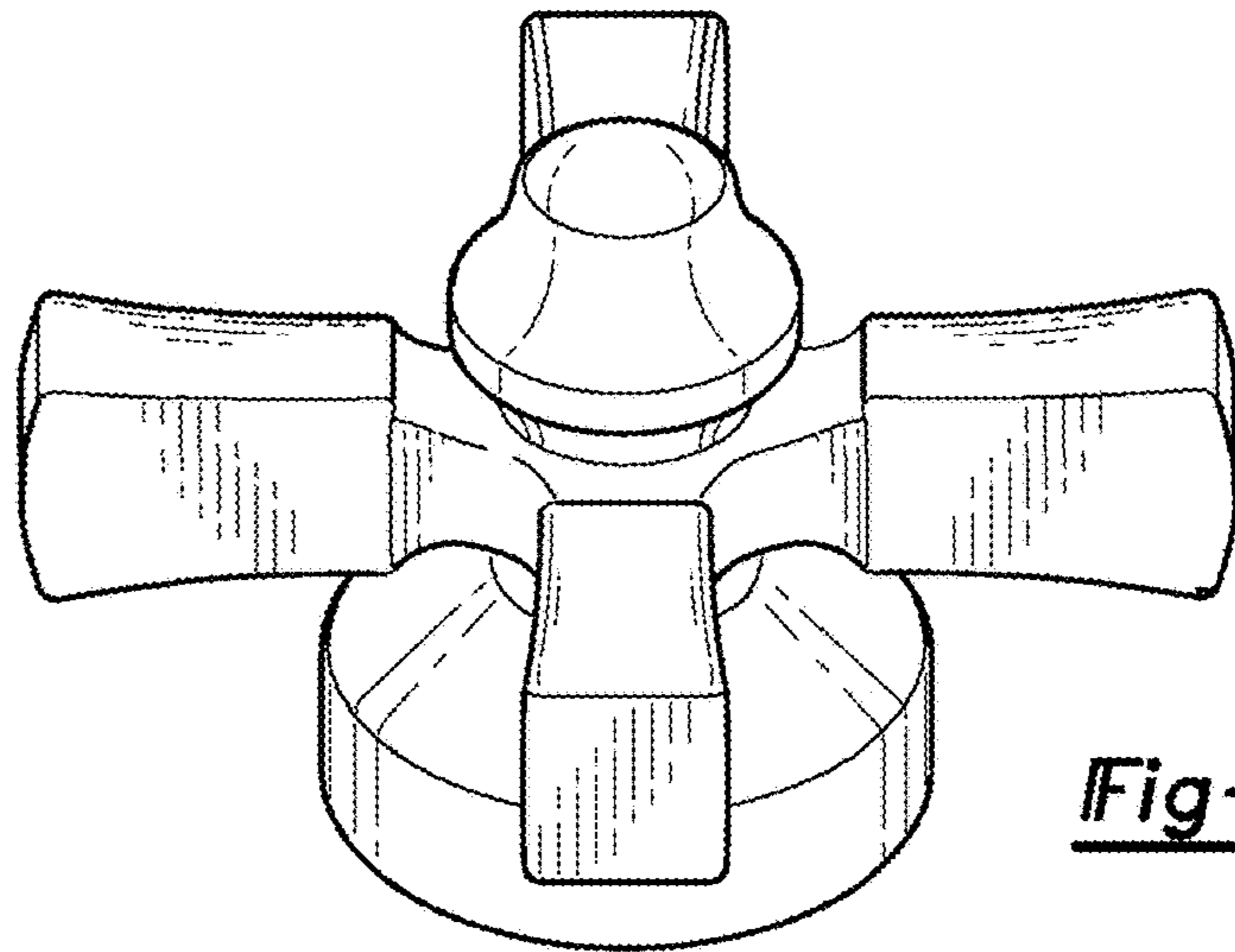


Fig-1

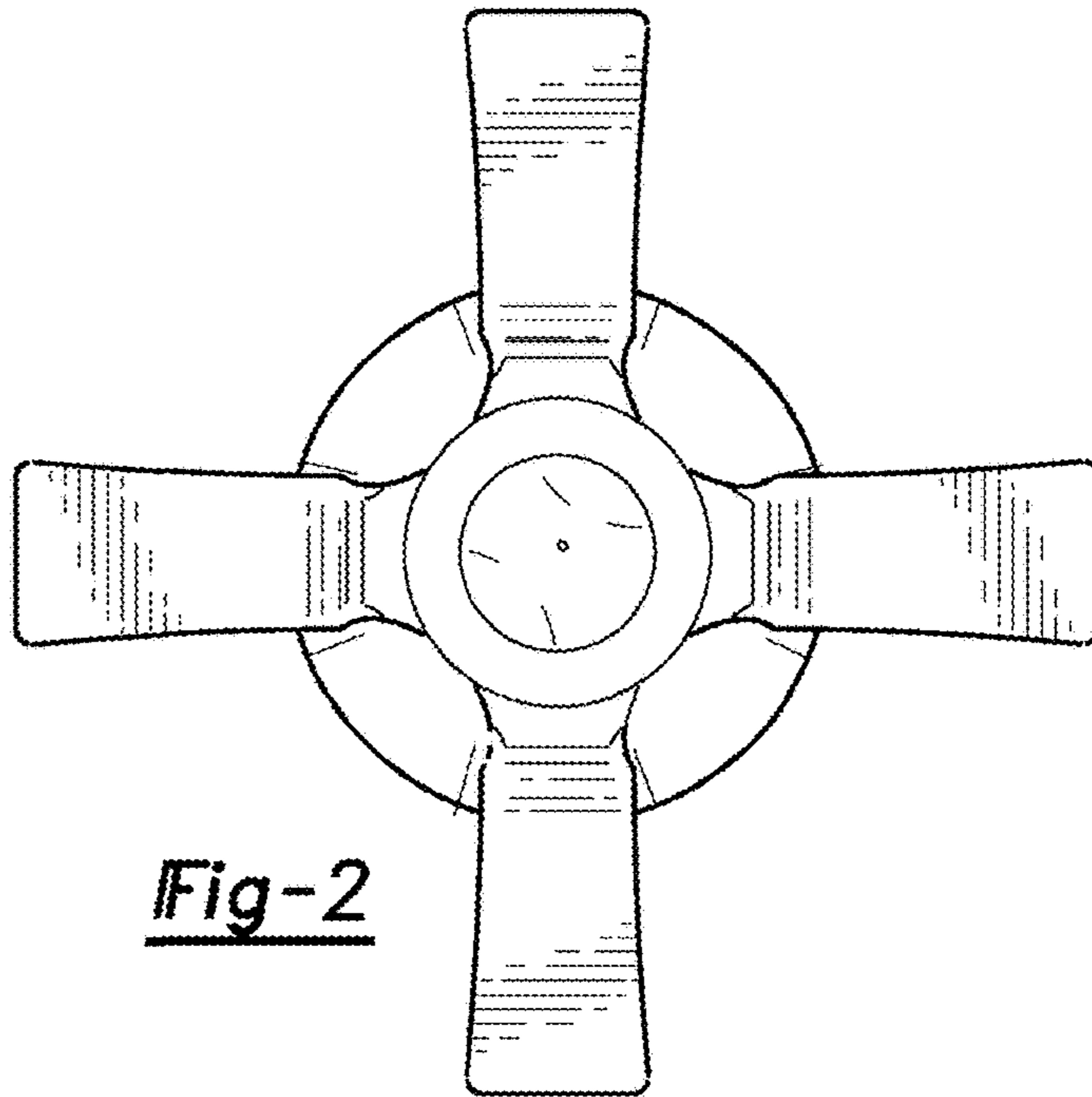


Fig-2

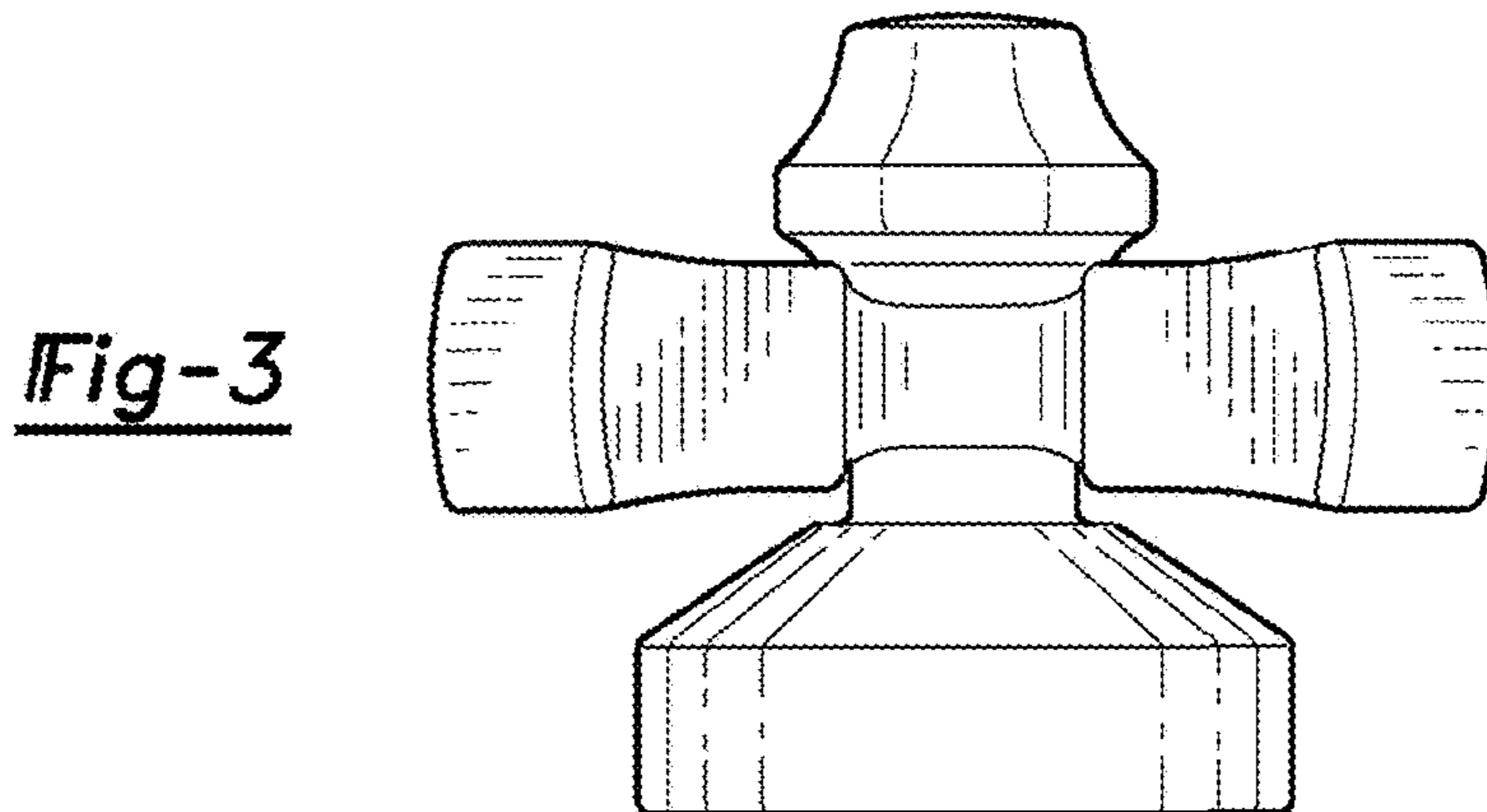


Fig-3

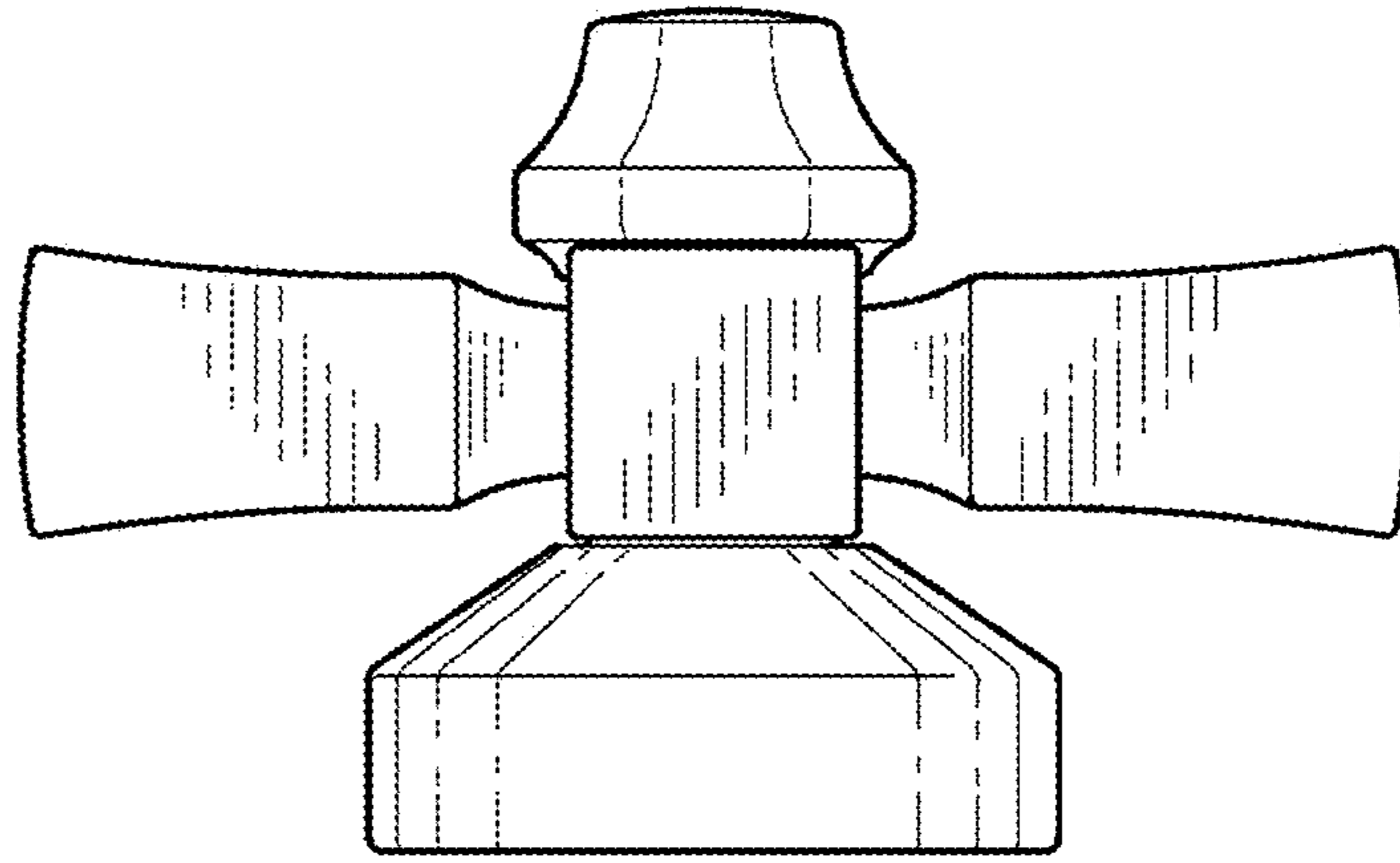


Fig-4

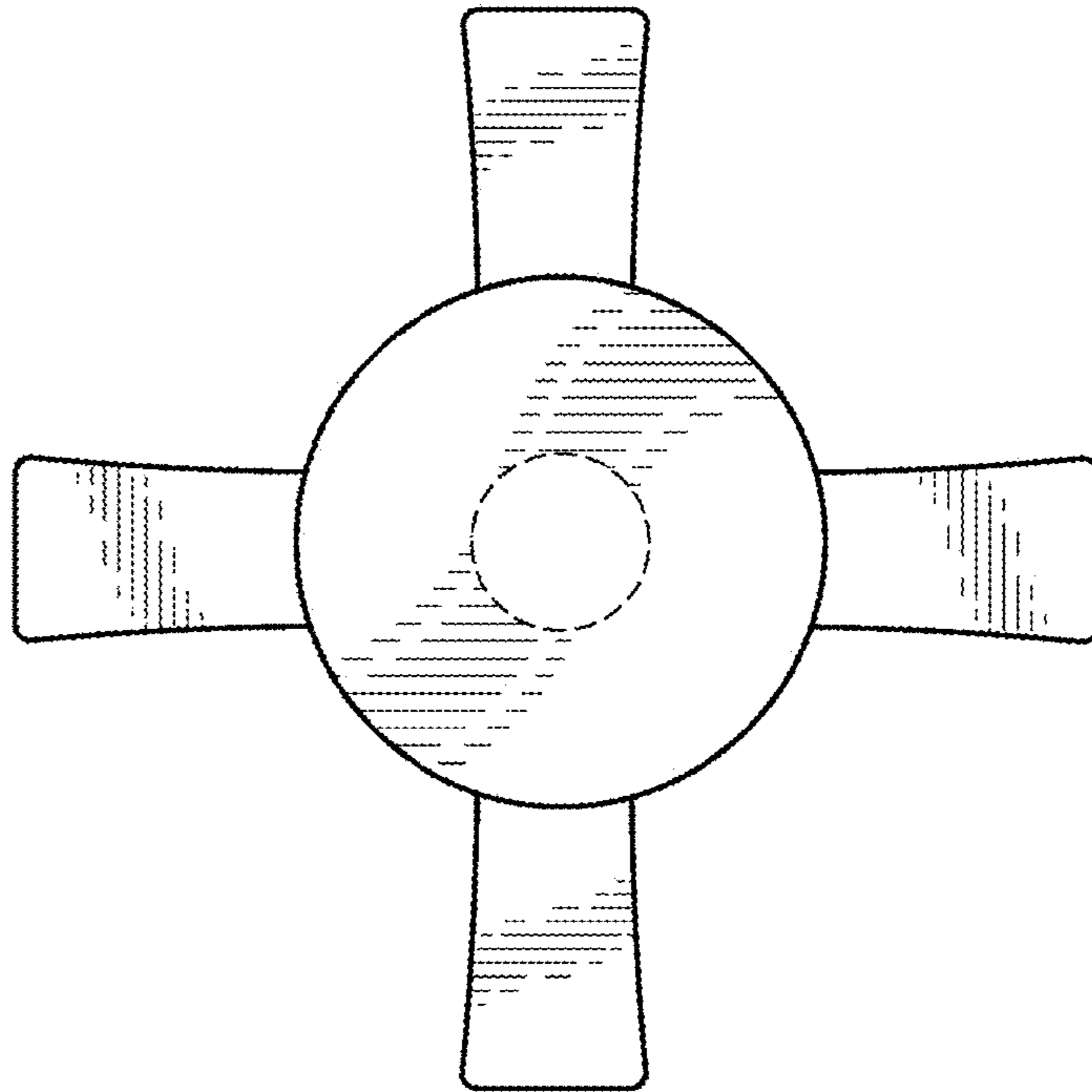


Fig-5