



US00D859595S

(12) **United States Design Patent**  
**Mangold et al.**

(10) **Patent No.:** **US D859,595 S**

(45) **Date of Patent:** **\*\* Sep. 10, 2019**

(54) **CONTROLLER FOR VALVES**

(71) Applicant: **FESTO AG & Co. KG**, Esslingen (DE)

(72) Inventors: **Simone Mangold**, Esslingen (DE);  
**Matthias Wunderling**, Esslingen (DE)

(73) Assignee: **FESTO AG & Co. KG**, Esslingen (DE)

(\*\*) Term: **15 Years**

(21) Appl. No.: **29/631,705**

(22) Filed: **Jan. 2, 2018**

(30) **Foreign Application Priority Data**

Jul. 11, 2017 (WO) ..... 4042901

(51) **LOC (12) Cl.** ..... **23-01**

(52) **U.S. Cl.**  
USPC ..... **D23/249**

(58) **Field of Classification Search**

USPC ..... D23/233–237, 241–249; 251/129.12,  
251/129.02, 129.03, 291, 292, 128,  
251/129.11, 304, 129.13, 111, 93, 101,  
251/97; 137/487.5, 12, 14, 554, 556, 553  
CPC ..... F16K 31/02; F16K 31/025  
See application file for complete search history.

(56) **References Cited**

**U.S. PATENT DOCUMENTS**

D701,943 S 4/2014 Gaertner  
D754,292 S \* 4/2016 Mangold ..... D23/233

D758,540 S \* 6/2016 Shishido ..... D23/233  
D760,352 S \* 6/2016 Mangold ..... D23/233  
D760,353 S \* 6/2016 Mangold ..... D23/233  
D777,586 S 1/2017 Mangold  
D778,179 S \* 2/2017 Mangold ..... D10/49  
D778,180 S \* 2/2017 Mangold ..... D10/49

**OTHER PUBLICATIONS**

“System 8802 Continuous Classic” Product Information of Christian Burkert GmbH & Co, KG.

\* cited by examiner

*Primary Examiner* — Cynthia Ramirez

*Assistant Examiner* — Gino Colan

(74) *Attorney, Agent, or Firm* — Hoffman & Baron, LLP

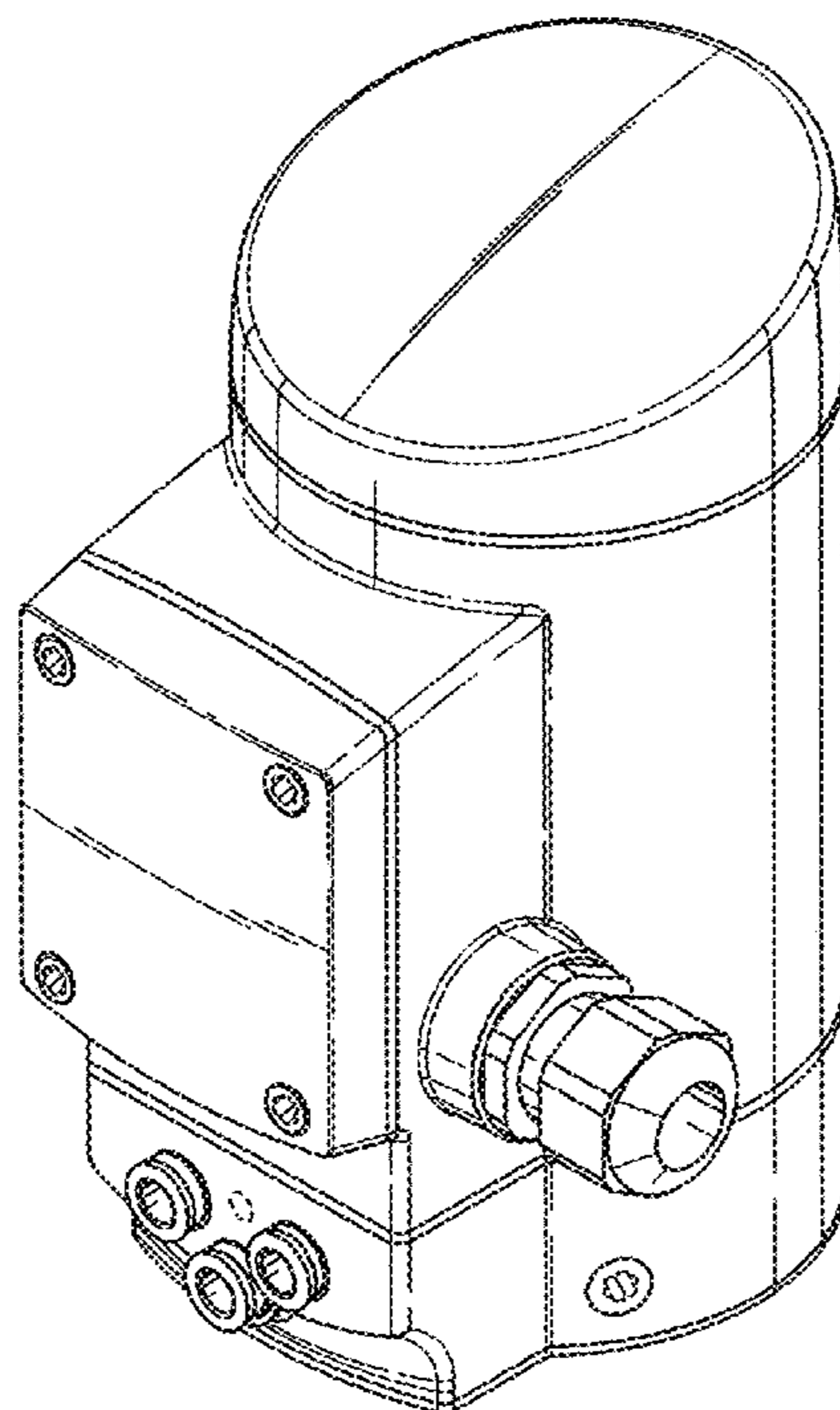
(57) **CLAIM**

The ornamental design for a controller for valves, as shown and described.

**DESCRIPTION**

FIG. 1 is a top perspective view of a controller for valves showing our new design;  
FIG. 2 is a front view thereof;  
FIG. 3 is a rear view thereof;  
FIG. 4 is a left side view thereof;  
FIG. 5 is a right side view thereof;  
FIG. 6 is a top plan view thereof; and,  
FIG. 7 is a bottom plan view thereof.  
The broken lines shown in the figures are included for the purpose of illustrating portions of the controller for valves and form no part of the claimed design.

**1 Claim, 7 Drawing Sheets**



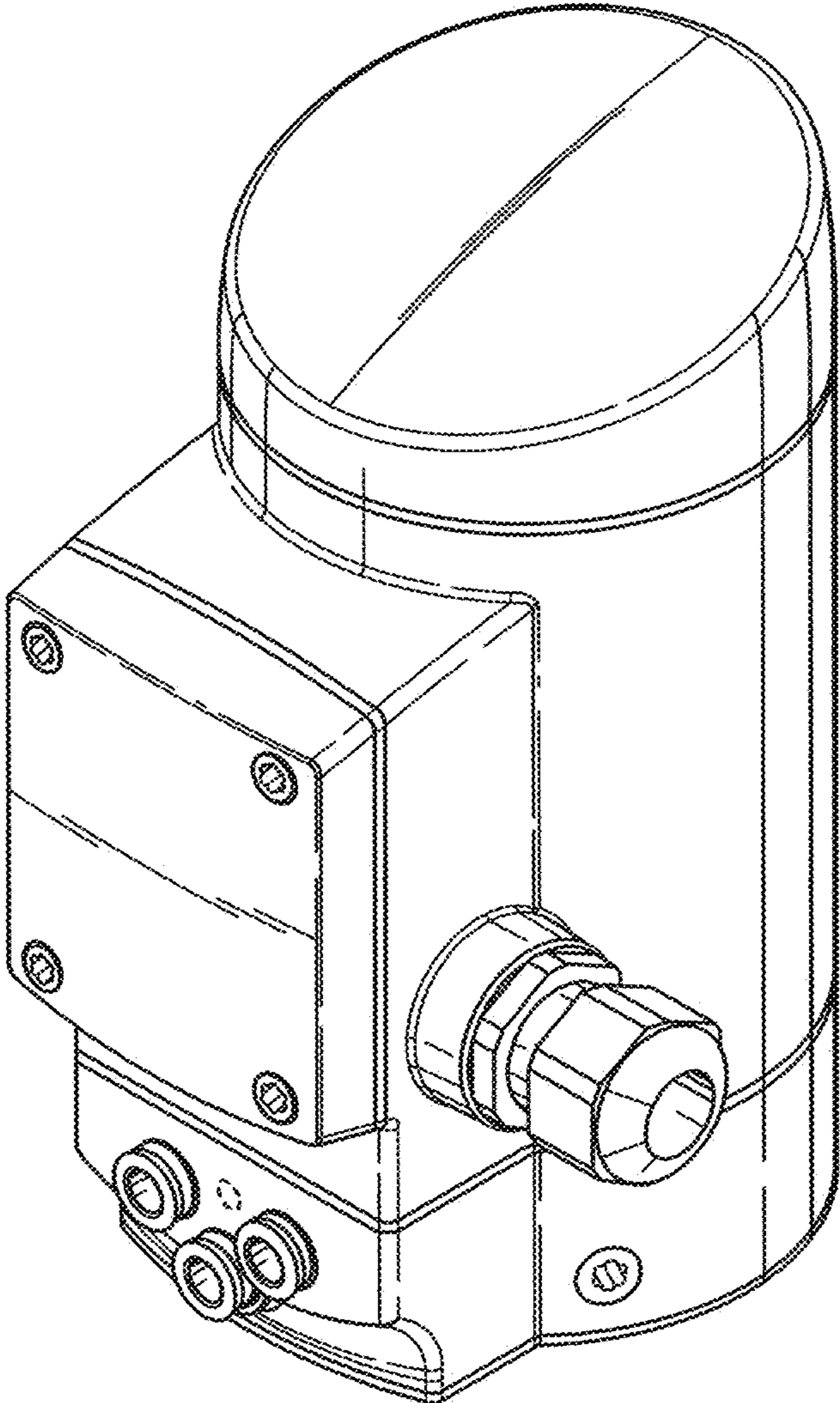


Fig. 1

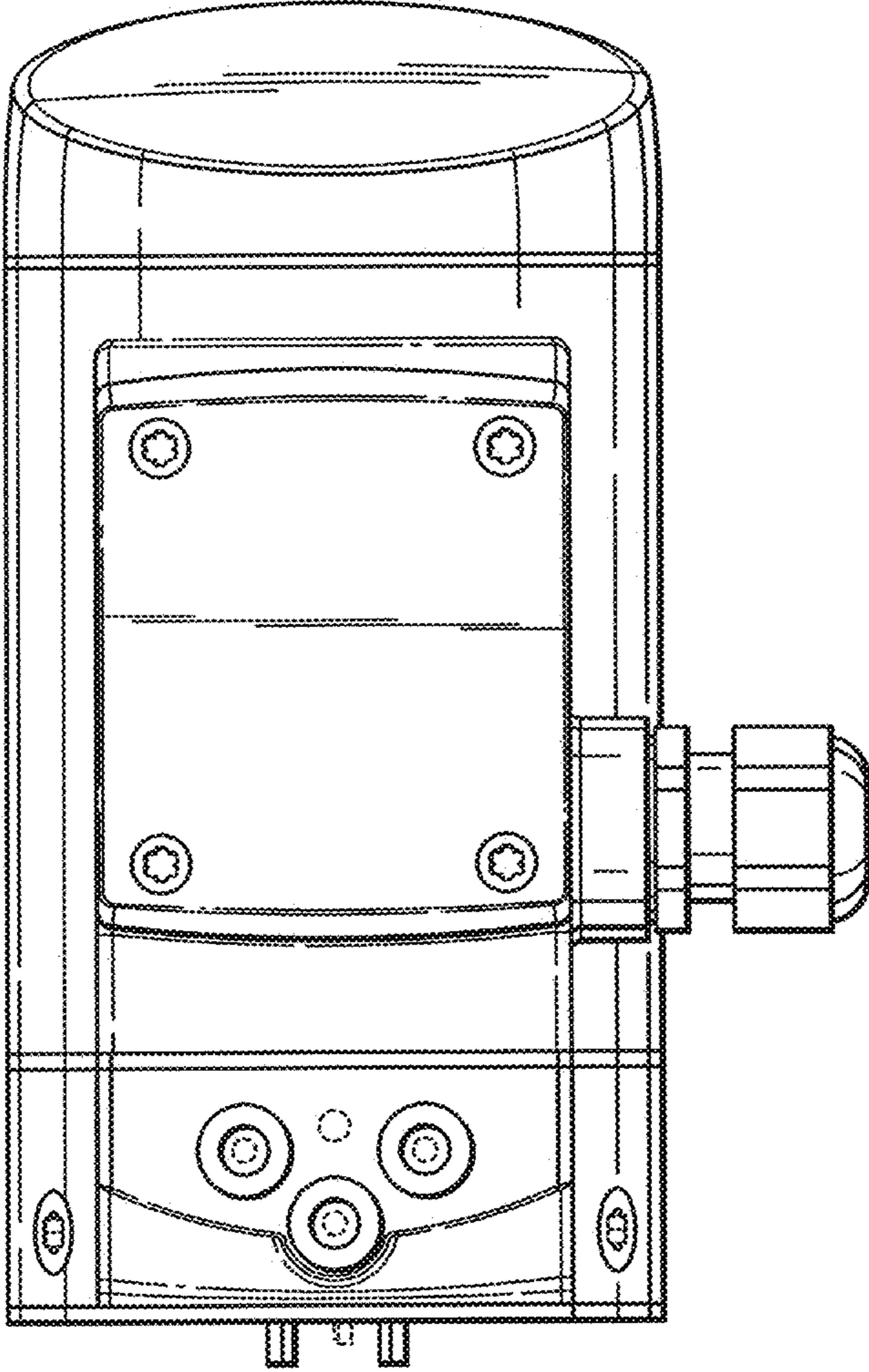


Fig. 2

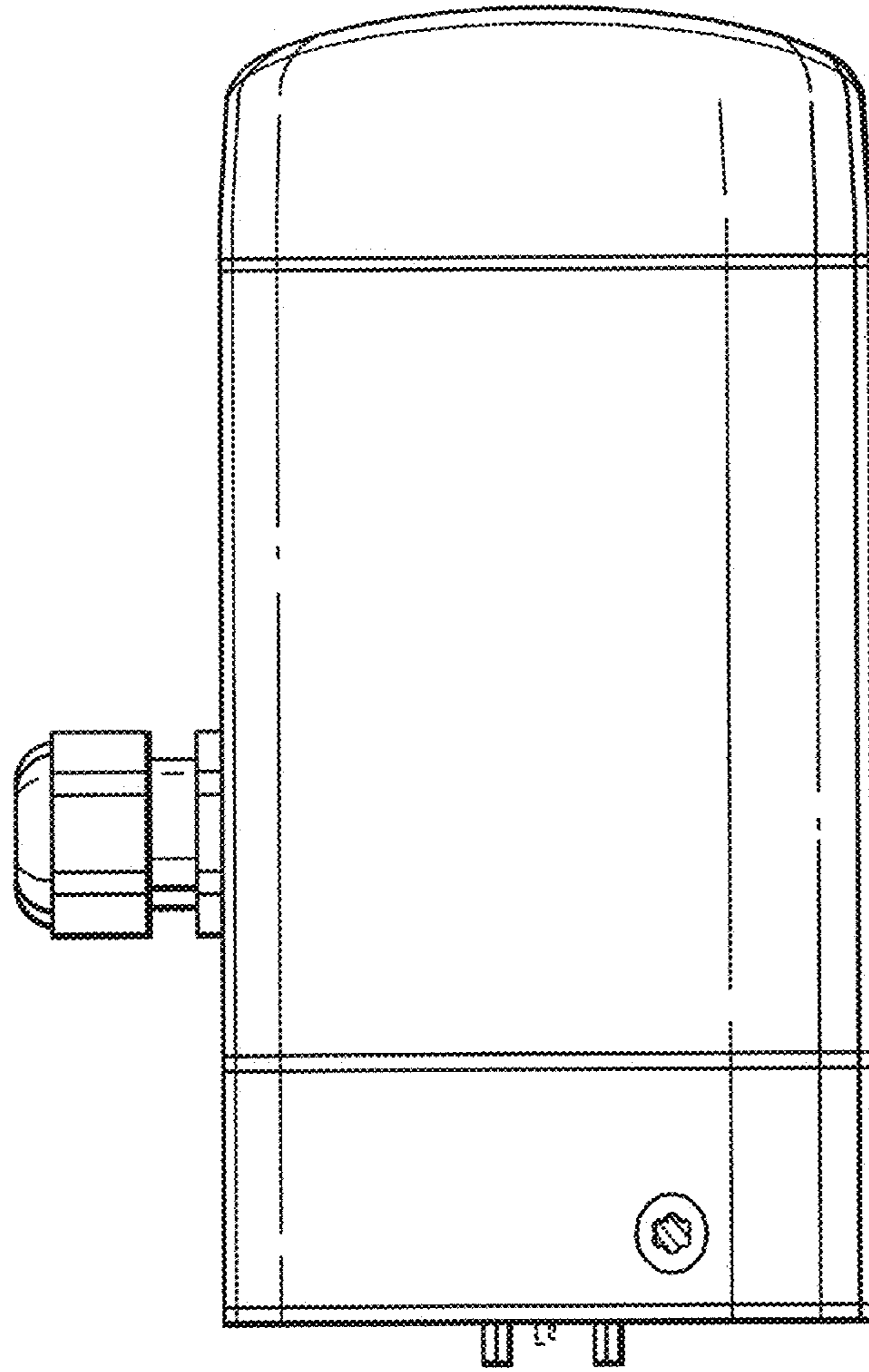


Fig. 3

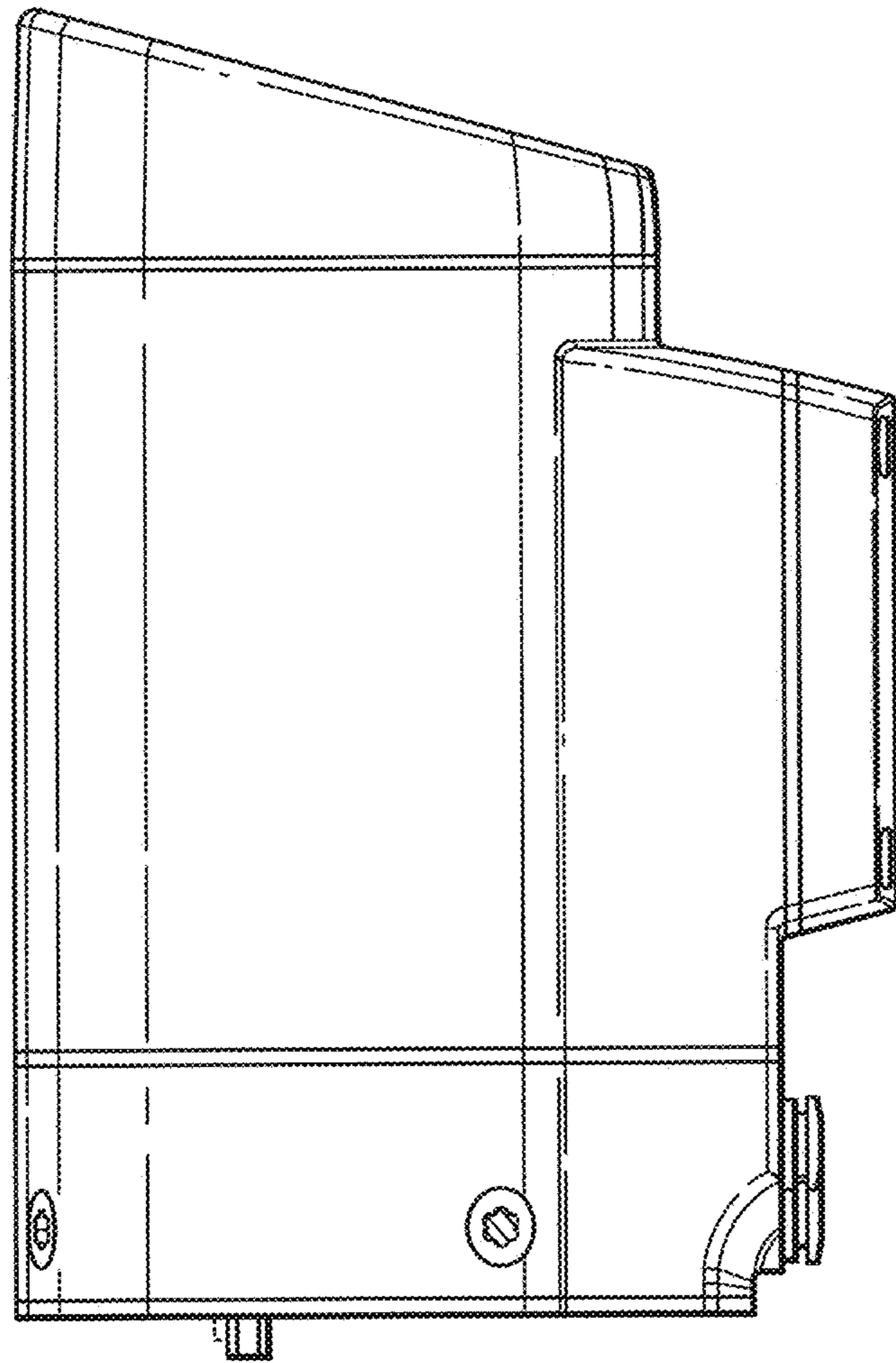


Fig. 4

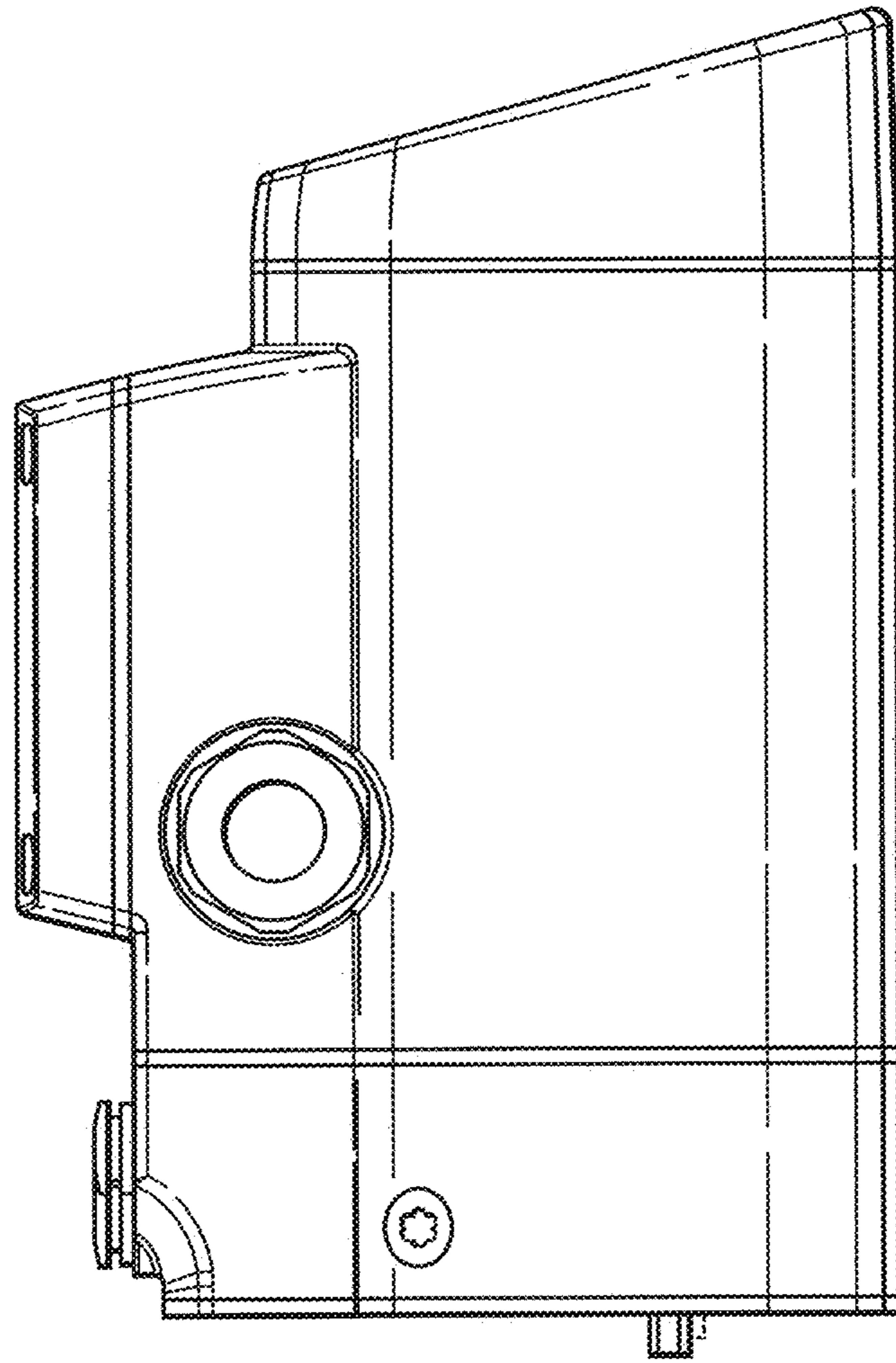


Fig. 5

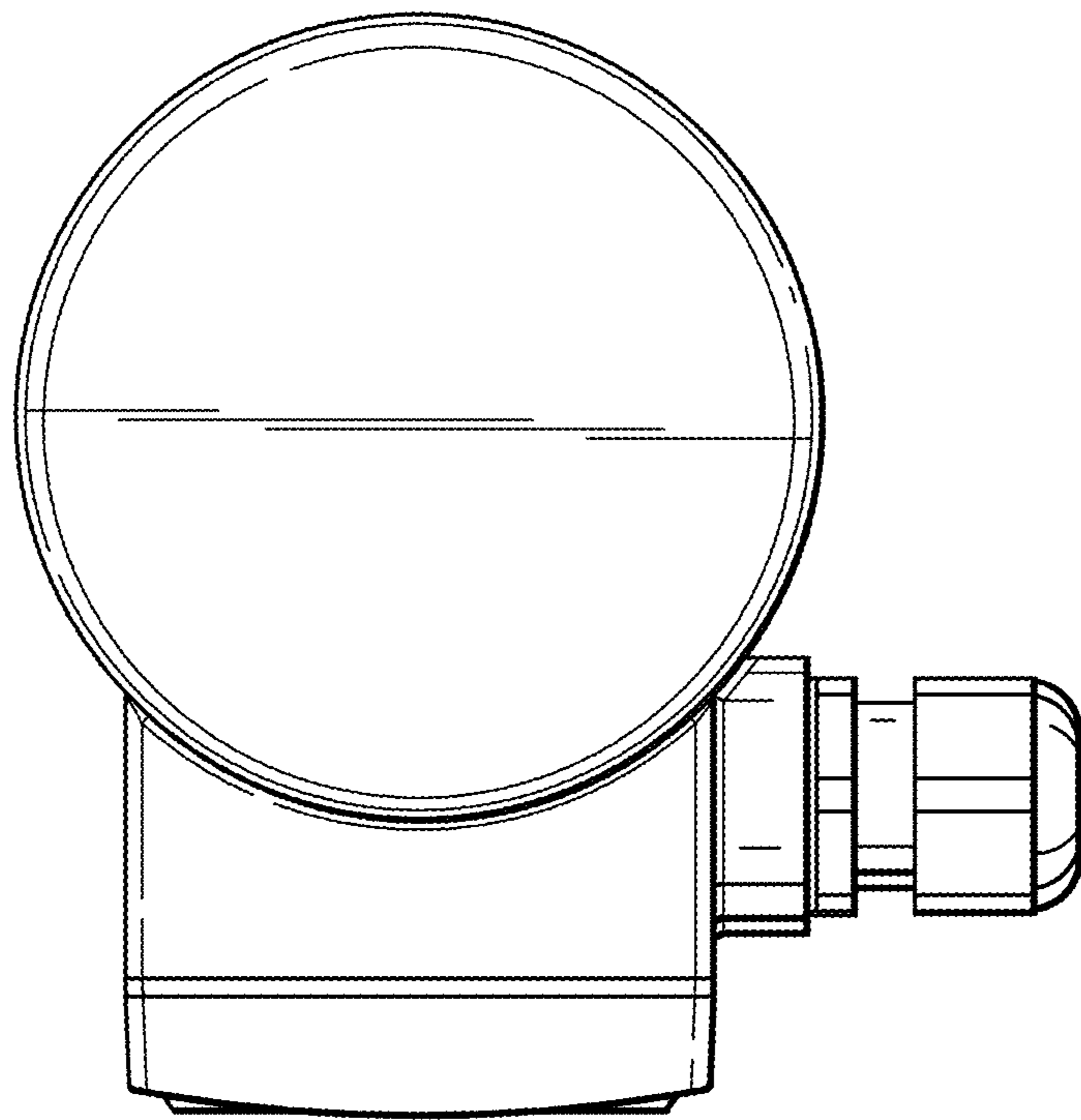


Fig. 6

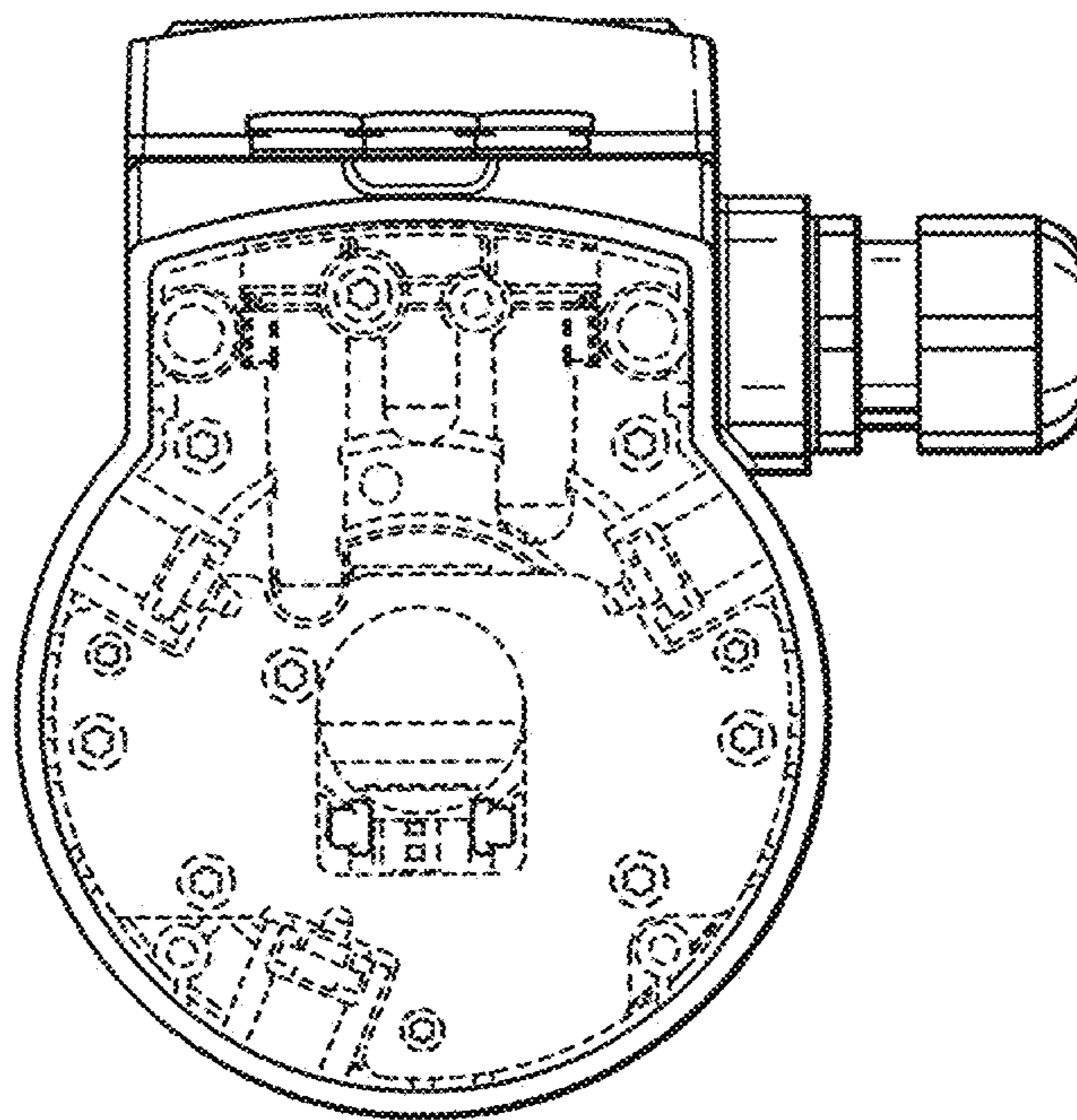


Fig. 7