



US00D859594S

(12) **United States Design Patent**
Jirgal et al.

(10) **Patent No.:** **US D859,594 S**

(45) **Date of Patent:** **** Sep. 10, 2019**

- (54) **ADAPTER FOR VALVE**
- (71) Applicant: **HYDAC ACCESSORIES GMBH**,
Sulzbach/Saar (DE)
- (72) Inventors: **Mathias Leo Jirgal**, Saarbruecken
(DE); **Joerg Steffensky**, Dillingen
(DE); **Stefan Christian Sauer**,
Schwalbach/Elm (DE); **Martin
Schmitt**, Knopp-Labach (DE);
Christoph Meyer, Saarbruecken (DE)
- (73) Assignee: **HYDAC ACCESSORIES GMBH**,
Sulzbach/Sarr (DE)

5,269,492 A * 12/1993 McLennan F16K 31/5282
251/214
6,095,175 A * 8/2000 Miller F16K 31/004
137/15.18
6,142,171 A * 11/2000 Hancock F16K 27/003
137/271
6,158,195 A * 12/2000 Andersson B65B 3/326
141/100
6,227,241 B1 * 5/2001 Snel F04B 49/022
137/560
6,242,909 B1 * 6/2001 Dorsey F16K 37/0041
137/556
D479,576 S * 9/2003 Wright D23/233
6,874,517 B2 * 4/2005 Halstead A61B 1/00068
134/169 C
8,210,499 B2 * 7/2012 Madden F16K 5/0694
251/315.01
9,746,100 B2 * 8/2017 Aldmo F15B 15/149

(**) Term: **15 Years**

(21) Appl. No.: **29/626,485**

(22) Filed: **Nov. 17, 2017**

(30) **Foreign Application Priority Data**

May 19, 2017 (EM) 004008852

(51) **LOC (12) Cl.** **23-01**

(52) **U.S. Cl.**
USPC **D23/249**

(58) **Field of Classification Search**
USPC D23/233–237, 241–250, 365; 251/148,
251/364, 45, 90, 93, 315.01, 214, 229;
137/231, 371, 271, 556, 560, 15.18, 554;
D15/5; 141/100; 134/169 C
CPC F16K 11/0716; F16K 1/126
See application file for complete search history.

(56) **References Cited**

U.S. PATENT DOCUMENTS

5,165,657 A * 11/1992 McLennan F16K 31/5284
251/229
5,269,343 A * 12/1993 Trapp F16K 31/502
137/554

* cited by examiner

Primary Examiner — Cynthia Ramirez

Assistant Examiner — Gino Colan

(74) *Attorney, Agent, or Firm* — Wenderoth, Lind &
Ponack, L.L.P.

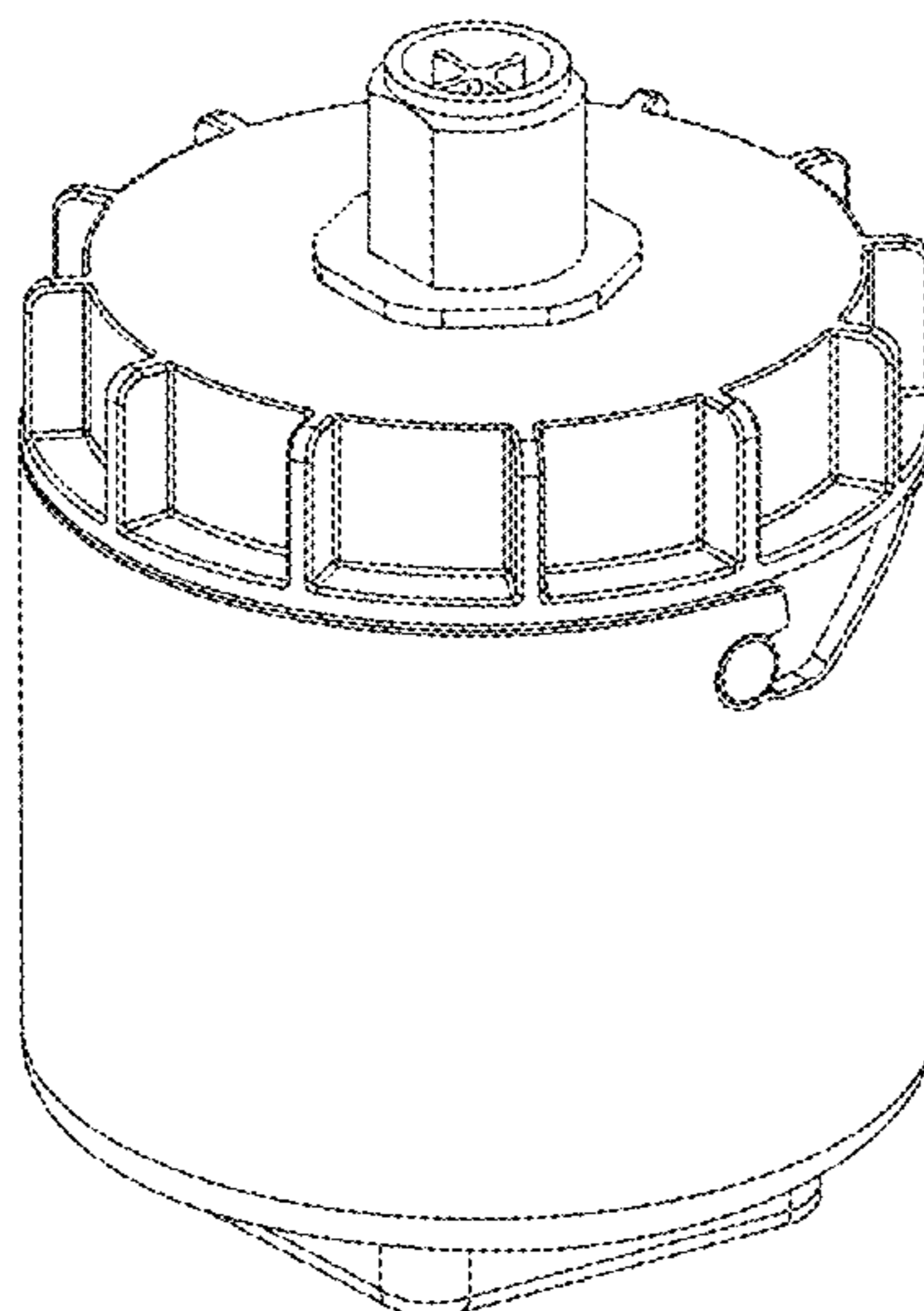
(57) **CLAIM**

The ornamental design of an adapter for valve, as shown and described.

DESCRIPTION

FIG. 1 is a top perspective view of an adapter for valve showing our new design;
FIG. 2 is a side elevational view thereof, the opposite side elevational view being a mirror image of FIG. 2;
FIG. 3 is a front elevational view thereof, the rear elevational view being a mirror image of FIG. 3;
FIG. 4 is a top plan view thereof; and,
FIG. 5 is a bottom plan view thereof.
The broken lines shown in the figures are included for the purpose of illustrating portions of the adapter for valve and form no part of the claimed design.

1 Claim, 5 Drawing Sheets



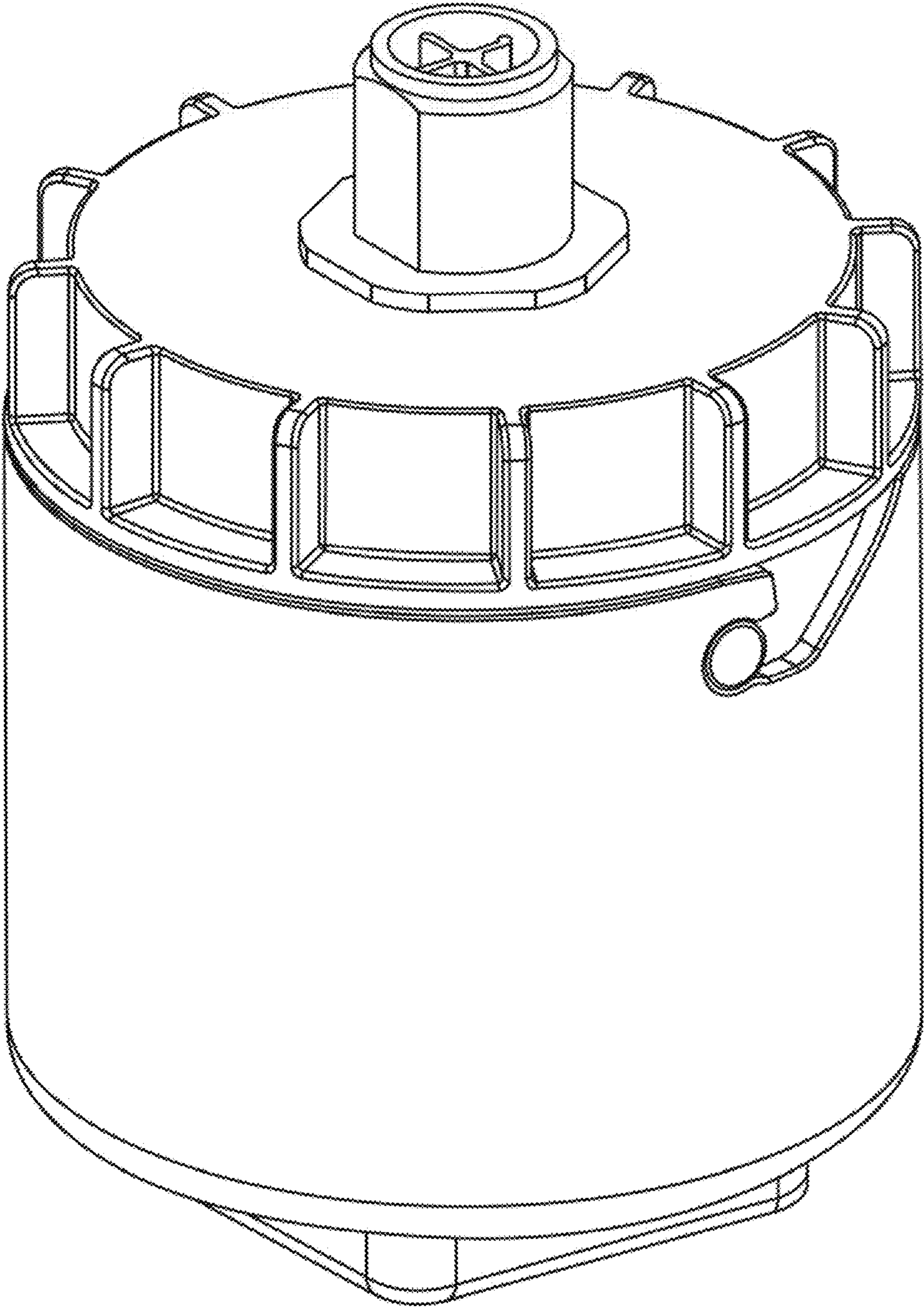


FIG. 1

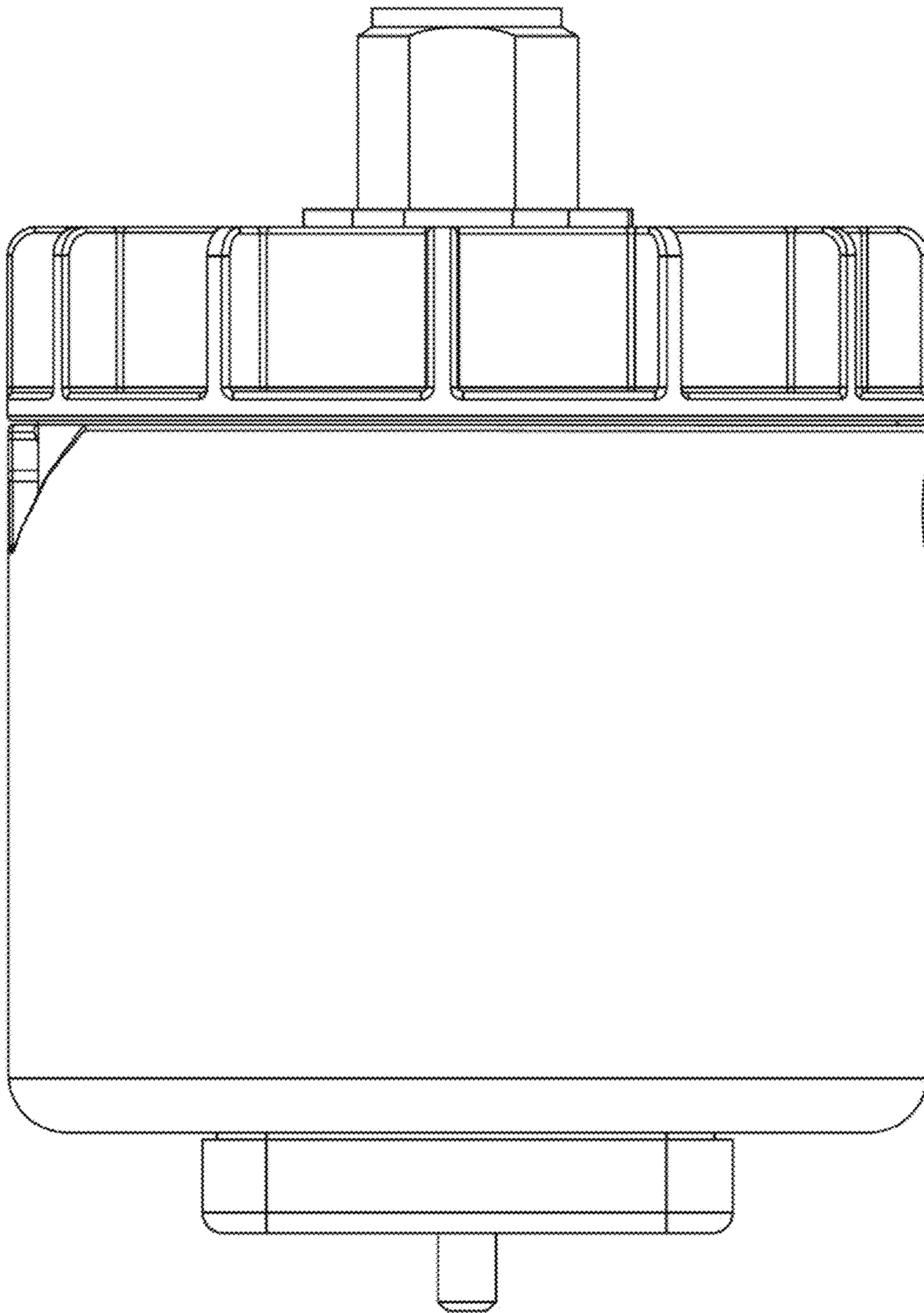


FIG. 2

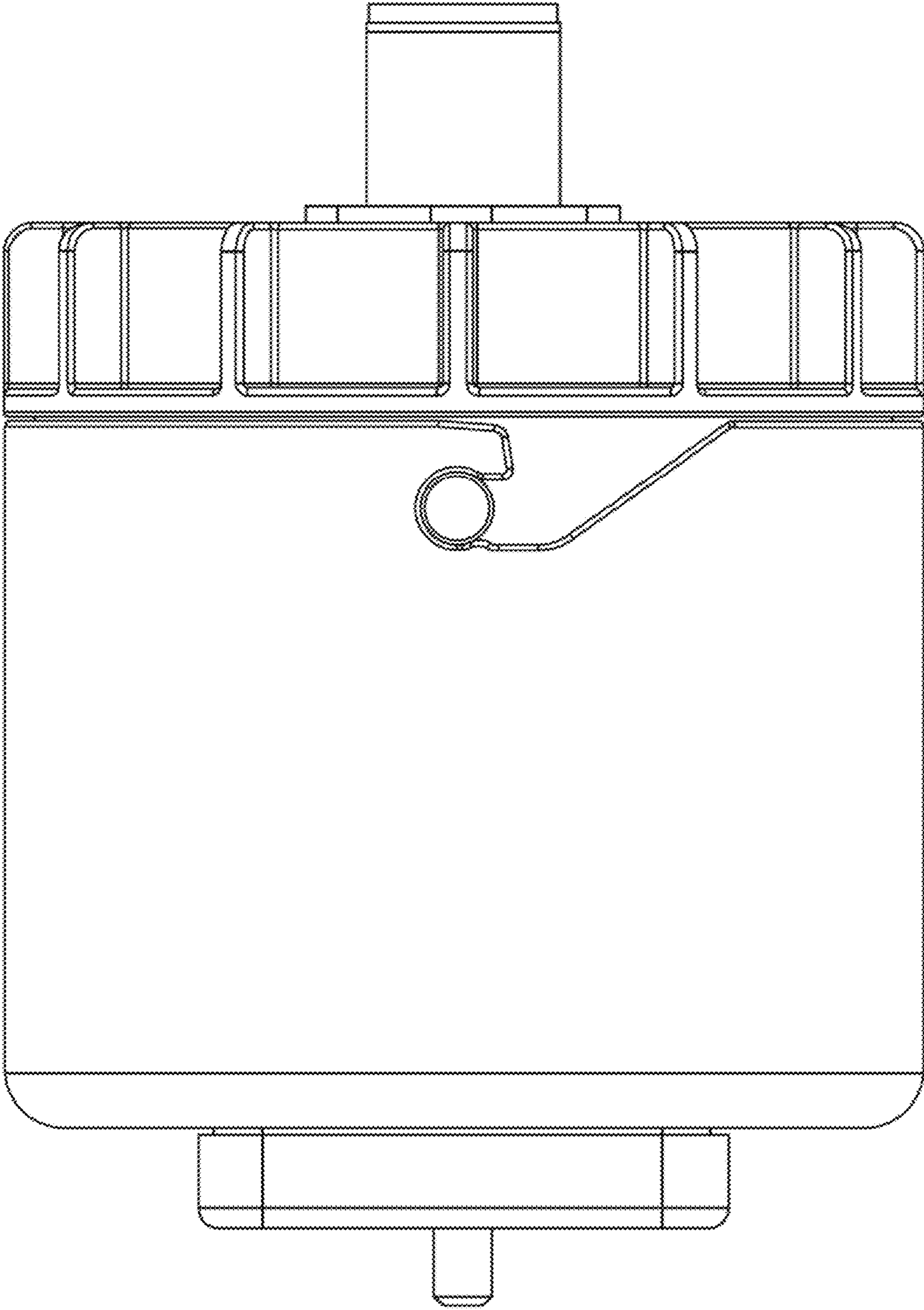


FIG. 3

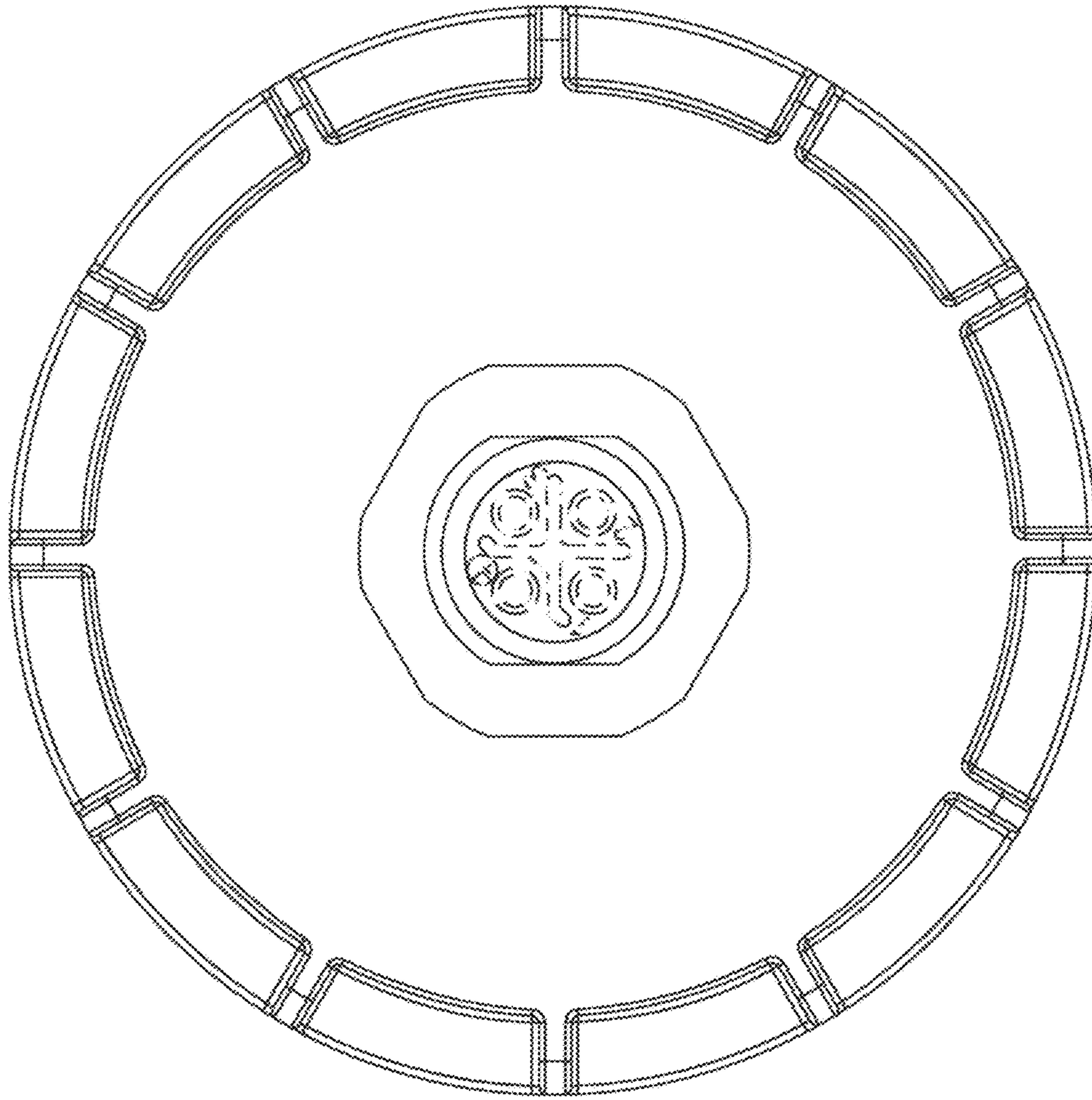


FIG. 4

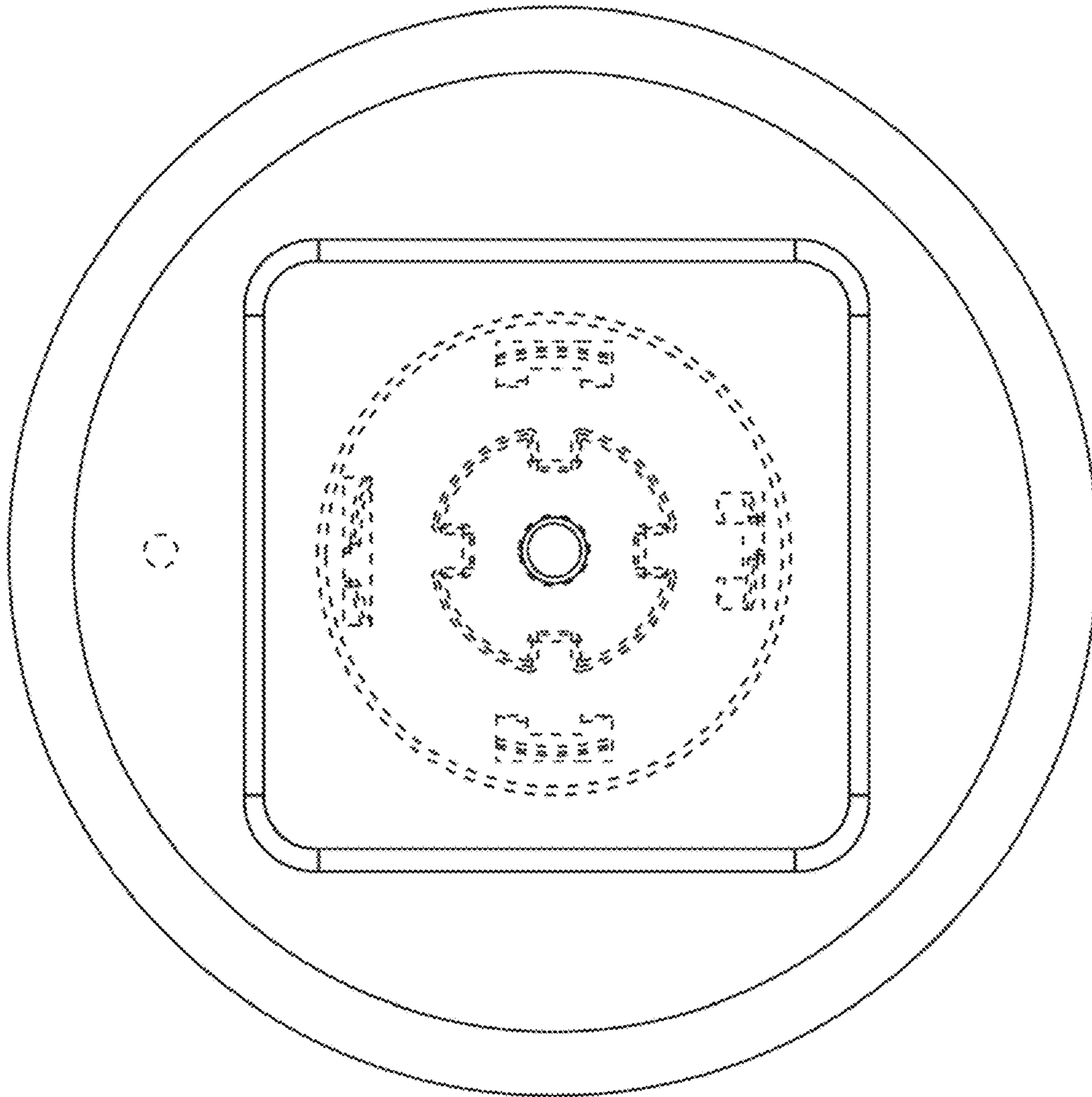


FIG. 5