



US00D859591S

(12) **United States Design Patent**
Kuang

(10) **Patent No.:** **US D859,591 S**

(45) **Date of Patent:** **** Sep. 10, 2019**

(54) **FAUCET**

D661,782 S * 6/2012 Slothower D23/252
D790,668 S * 6/2017 Schaubach D23/252
D793,537 S * 8/2017 Fritz D23/252

(71) Applicant: **Zicong Kuang**, Guangdong (CN)

* cited by examiner

(72) Inventor: **Zicong Kuang**, Guangdong (CN)

Primary Examiner — Robert A Delehanty

(73) Assignee: **Parlos Home Furnishing Co., Ltd**,
Kaiping, Guangdong (CN)

(**) Term: **15 Years**

(57) **CLAIM**

(21) Appl. No.: **29/626,290**

The ornamental design for a faucet, as shown and described.

(22) Filed: **Nov. 16, 2017**

(51) **LOC (12) Cl.** **23-01**

(52) **U.S. Cl.**
USPC **D23/242**

DESCRIPTION

(58) **Field of Classification Search**
USPC D23/238–243, 249–250, 252, 254–255,
D23/257; D8/300, 307–308
CPC ... Y10T 137/9464; E03C 1/04; E03C 1/0401;
E03C 1/0402; E03C 1/0404; E03C
1/0405; E03C 1/0412; E03C 1/0413;
E03C 1/0409; E03C 1/042
See application file for complete search history.

FIG. 1 is a perspective view of a faucet showing my new design;
FIG. 2 is a front elevational view thereof;
FIG. 3 is a rear elevational view thereof;
FIG. 4 is a left side elevational view thereof;
FIG. 5 is a right side elevational view thereof;
FIG. 6 is a top plan view thereof; and,
FIG. 7 is a bottom plan view thereof.

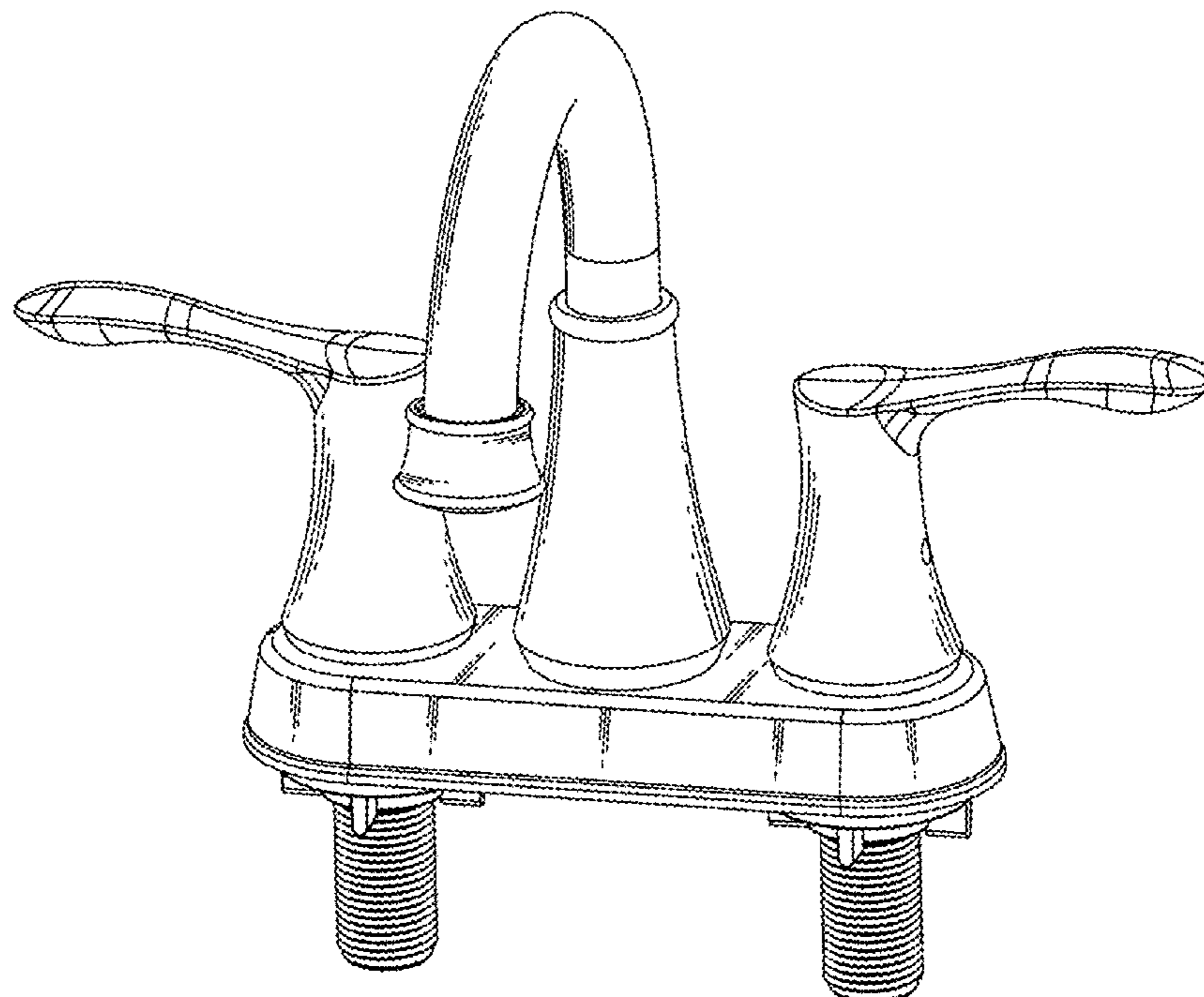
The broken lines in the figures are included for the purpose of illustrating a portion of the claimed design that form no part of the claimed design.

(56) **References Cited**

U.S. PATENT DOCUMENTS

D518,558 S * 4/2006 Soriano D23/255
D532,085 S * 11/2006 Svendsen D23/241

1 Claim, 7 Drawing Sheets



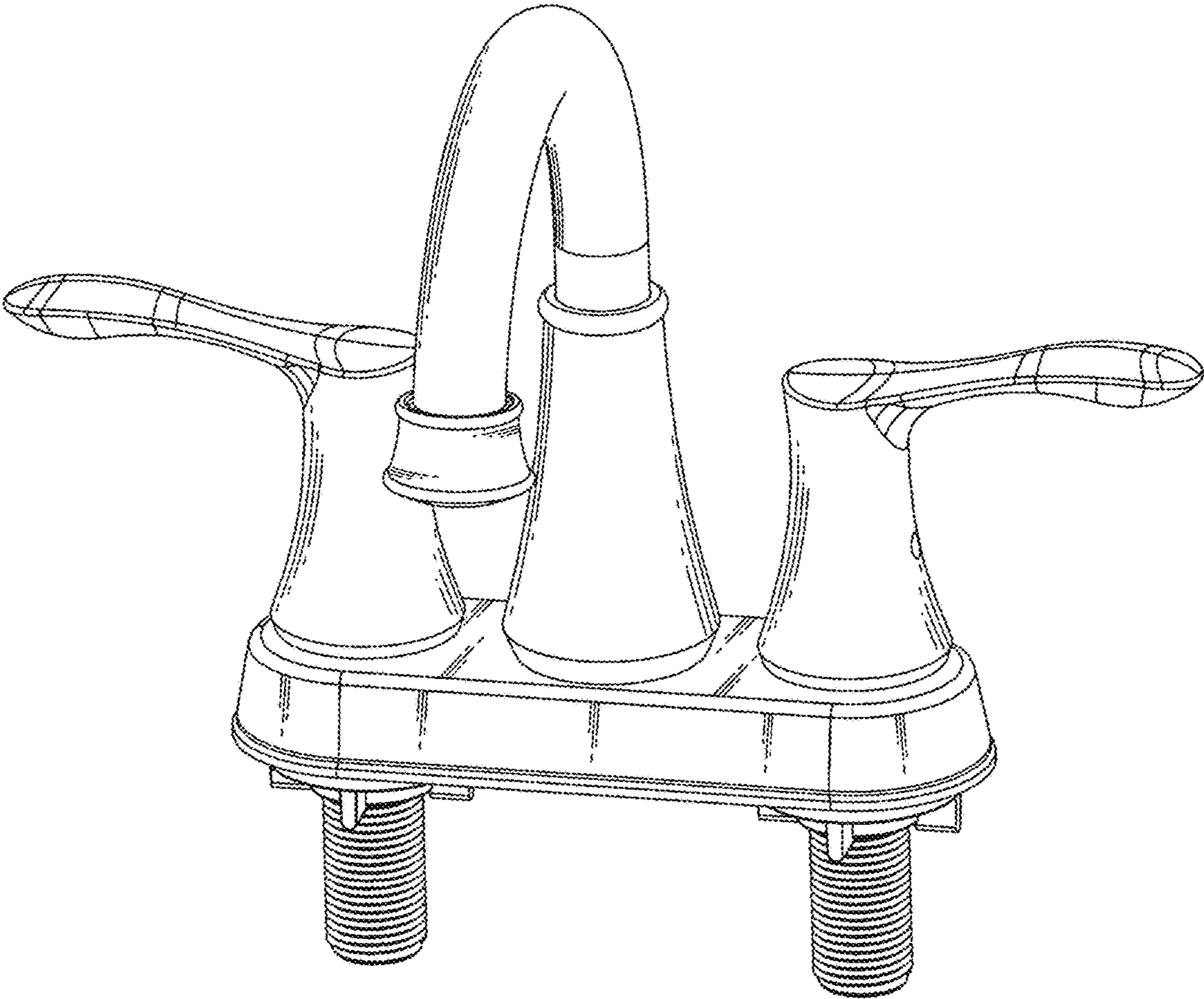


FIG. 1

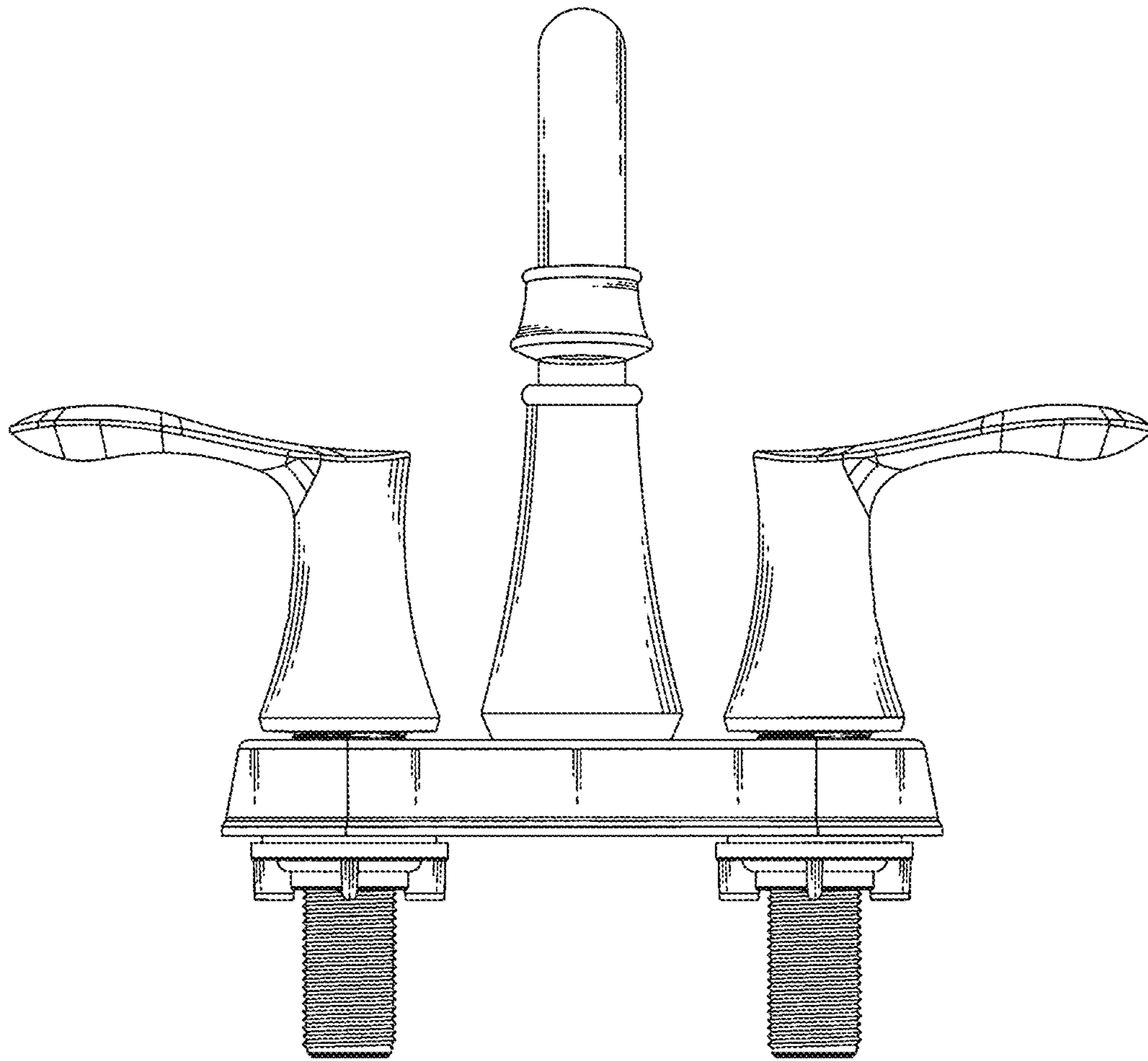


FIG.2

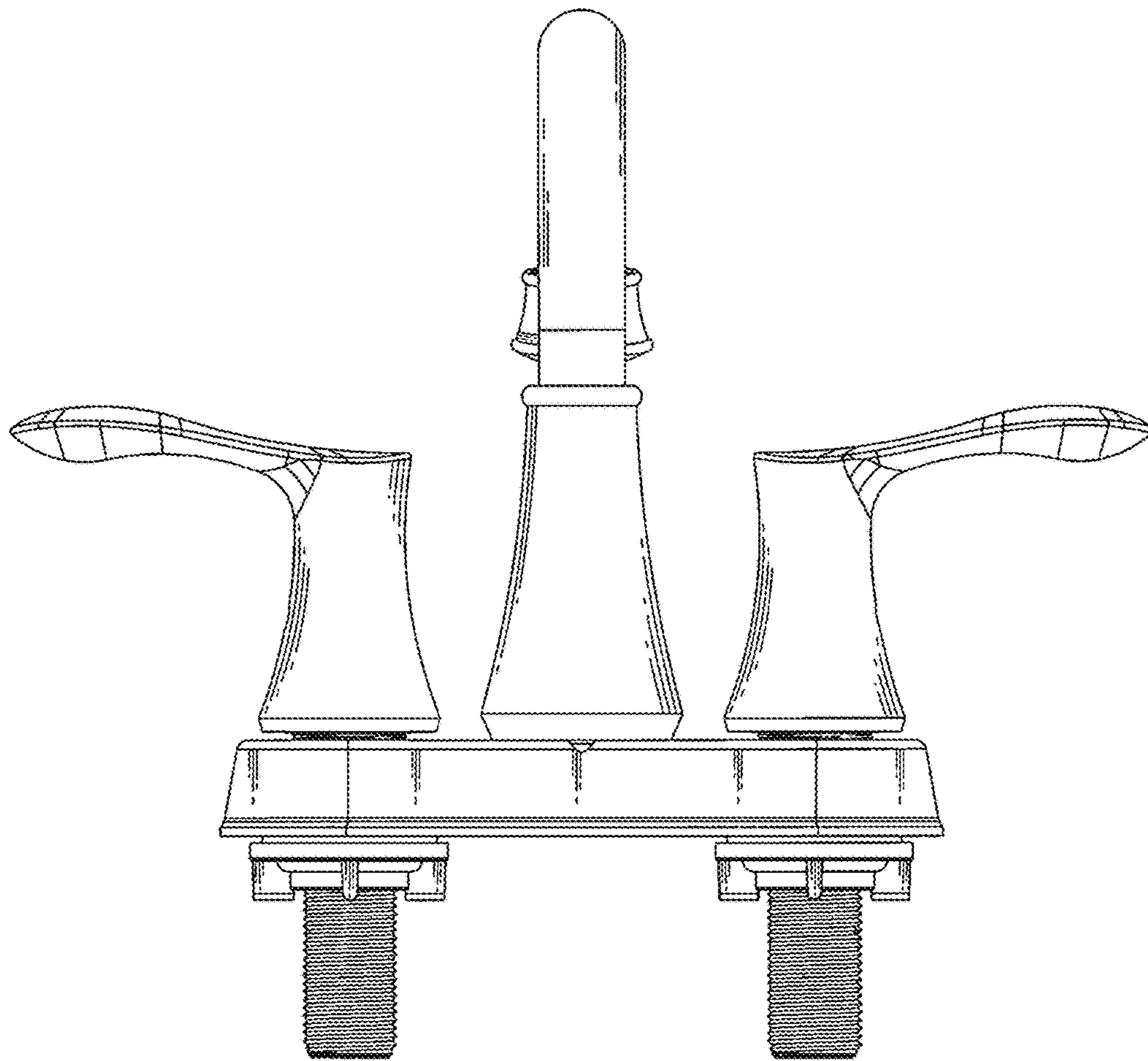


FIG.3

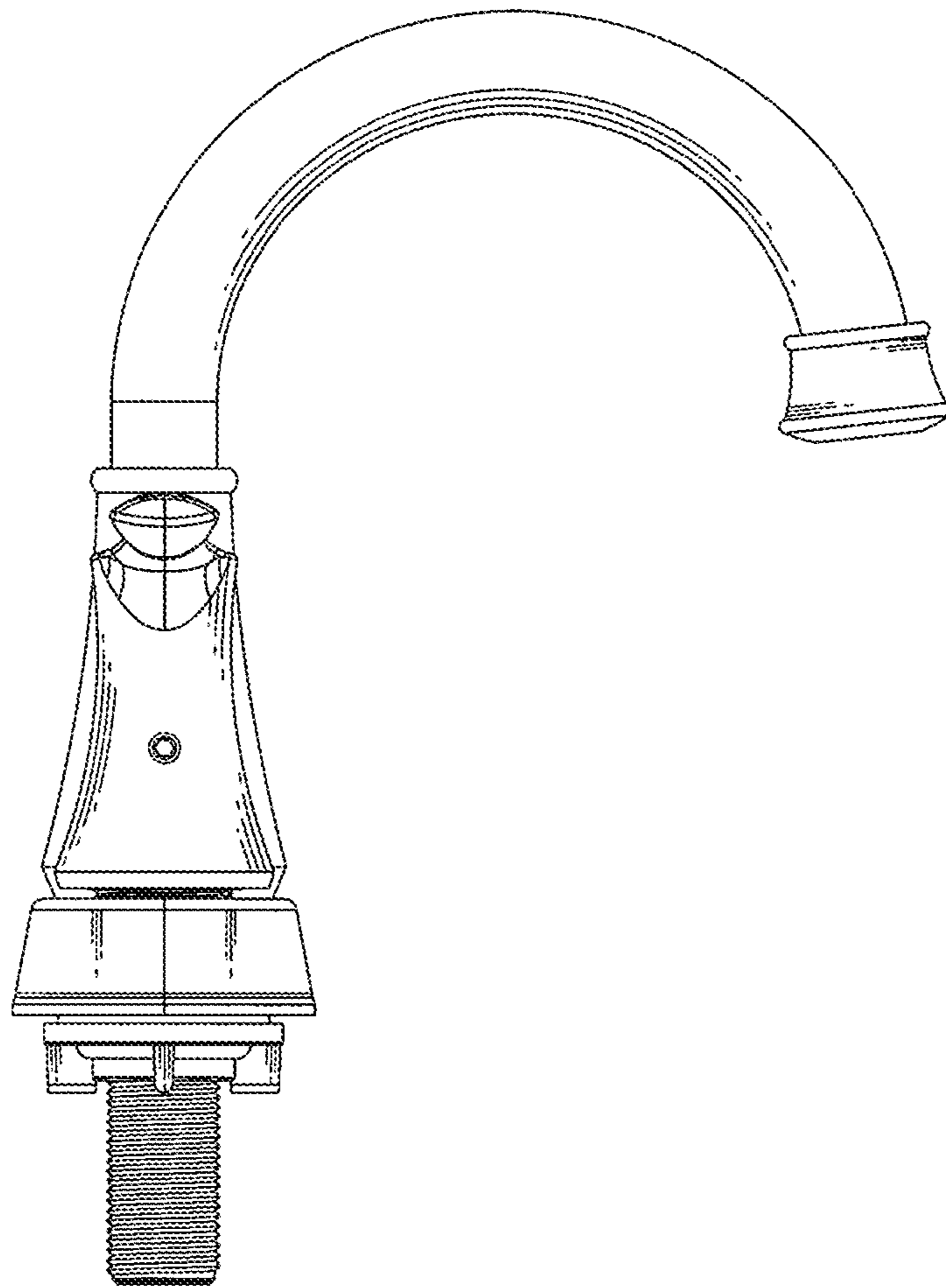


FIG.4

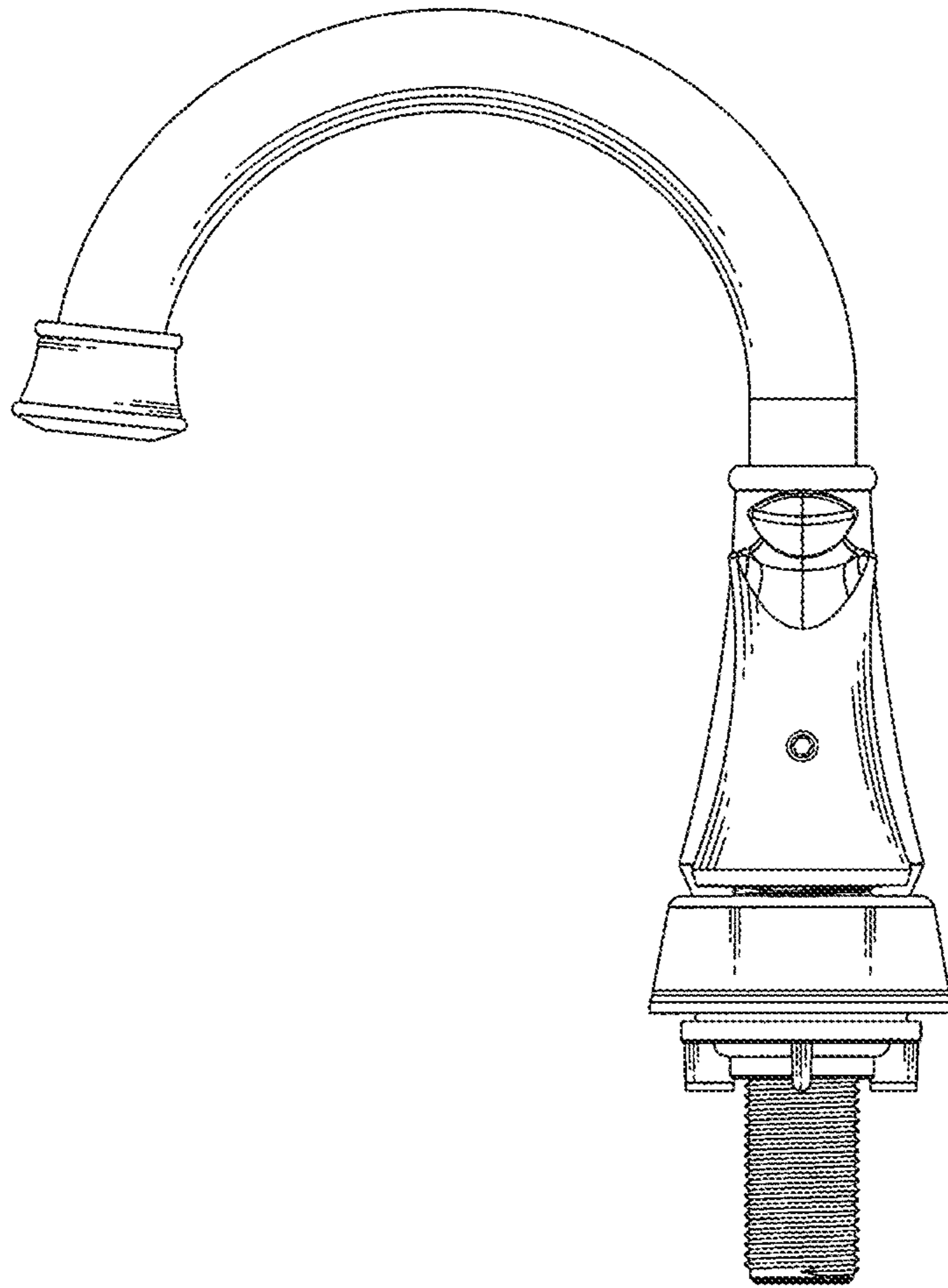


FIG.5

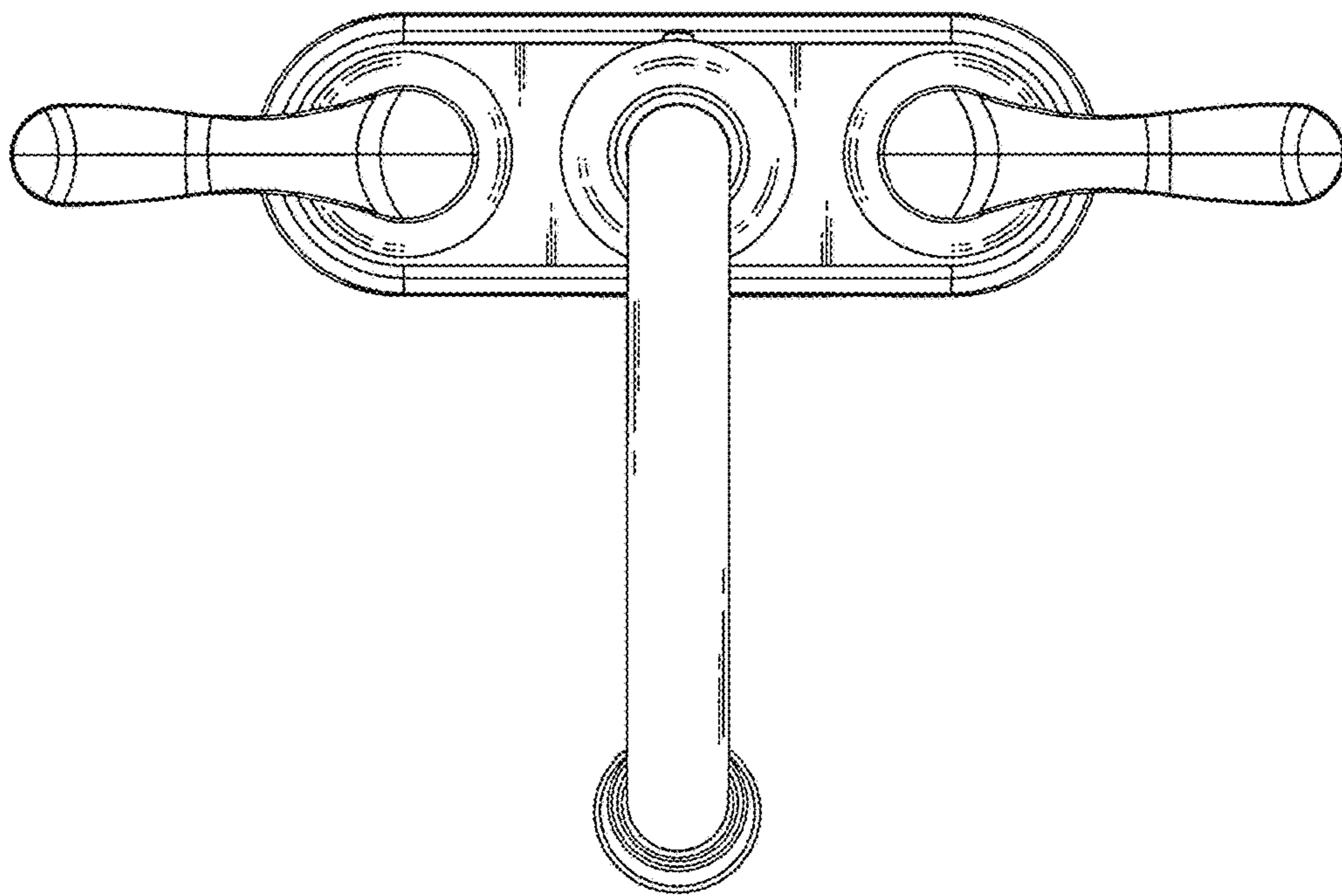


FIG.6

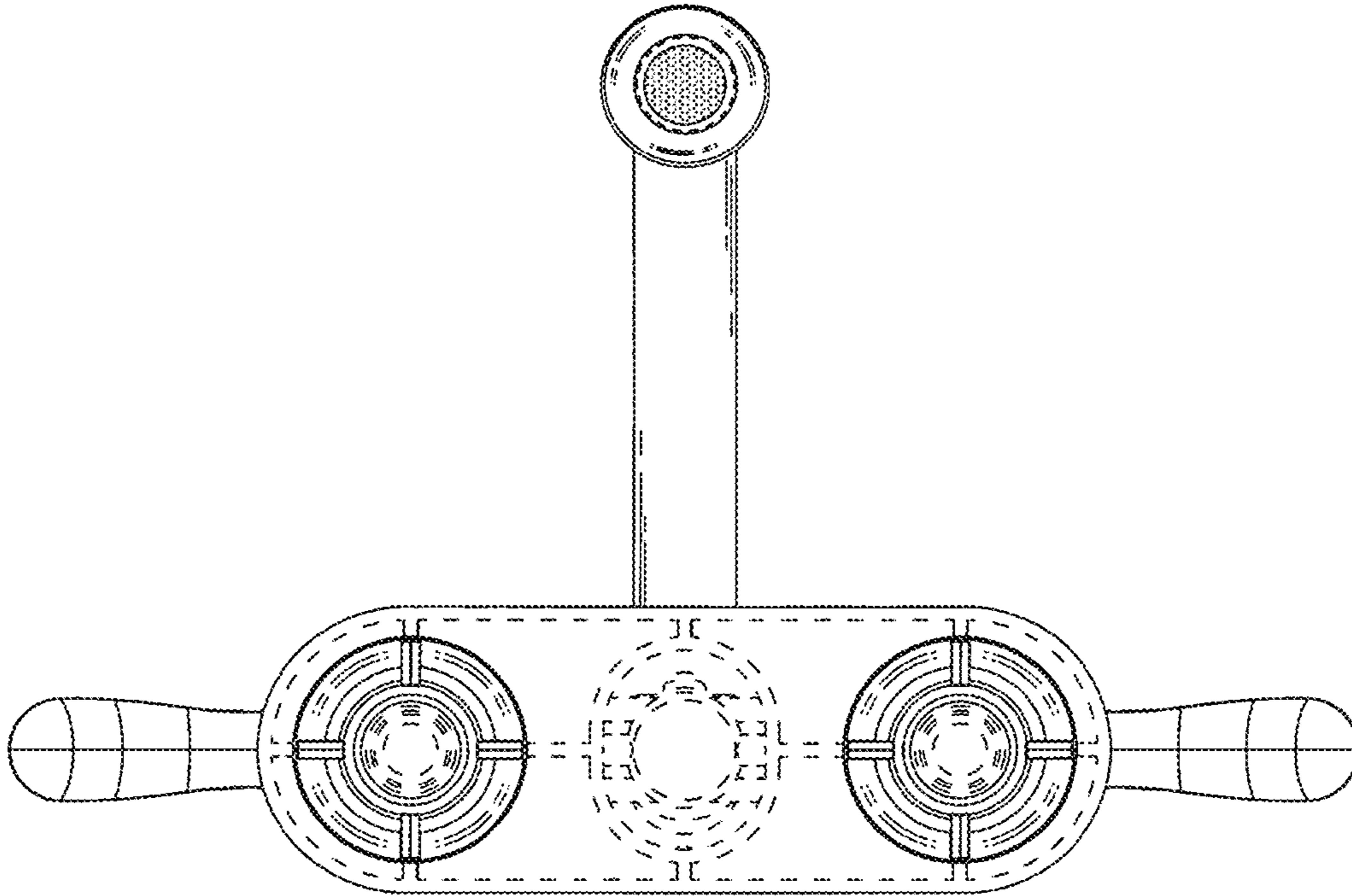


FIG. 7