



US00D859588S

(12) **United States Design Patent** (10) **Patent No.:** **US D859,588 S**
Meyers et al. (45) **Date of Patent:** **** Sep. 10, 2019**

(54) **FAUCET**

(71) Applicant: **Kohler Co.**, Kohler, WI (US)

(72) Inventors: **Jordan Meyers**, Paradise Valley, AZ (US); **Gregory de Swarte**, Sheboygan, WI (US); **Drew Johnson**, Sheboygan, WI (US); **Andrew J. Stokes**, Kohler, WI (US)

(73) Assignee: **KOHLER CO.**, Kohler, WI (US)

(**) Term: **15 Years**

(21) Appl. No.: **29/644,533**

(22) Filed: **Apr. 18, 2018**

(51) **LOC (12) Cl.** **23-01**

(52) **U.S. Cl.**
USPC **D23/238**; D23/255

(58) **Field of Classification Search**
USPC D23/238–243, 249–252, 254–255, 257
CPC Y10T 137/9464
See application file for complete search history.

(56) **References Cited**

U.S. PATENT DOCUMENTS

D349,756 S *	8/1994	Altman	D23/255
D613,375 S *	4/2010	Hanna	D23/242
D636,066 S *	4/2011	Schoenherr	D23/255
D646,758 S *	10/2011	Gessi	D23/238
D678,985 S *	3/2013	Berger	D23/255

D713,016 S *	9/2014	Citterio	D23/255
D718,837 S *	12/2014	Garland	D23/238
D754,295 S *	4/2016	Lord	D23/238
D754,825 S *	4/2016	Lord	D23/255
D810,892 S *	2/2018	Yoshioka	D23/257
D816,806 S *	5/2018	Potter	D23/255
D816,807 S *	5/2018	Ravassa	D23/255
D820,415 S *	6/2018	McKeone	D23/255

* cited by examiner

Primary Examiner — Eric L Goodman

Assistant Examiner — Amy C Wierenga

(74) *Attorney, Agent, or Firm* — Foley & Lardner LLP

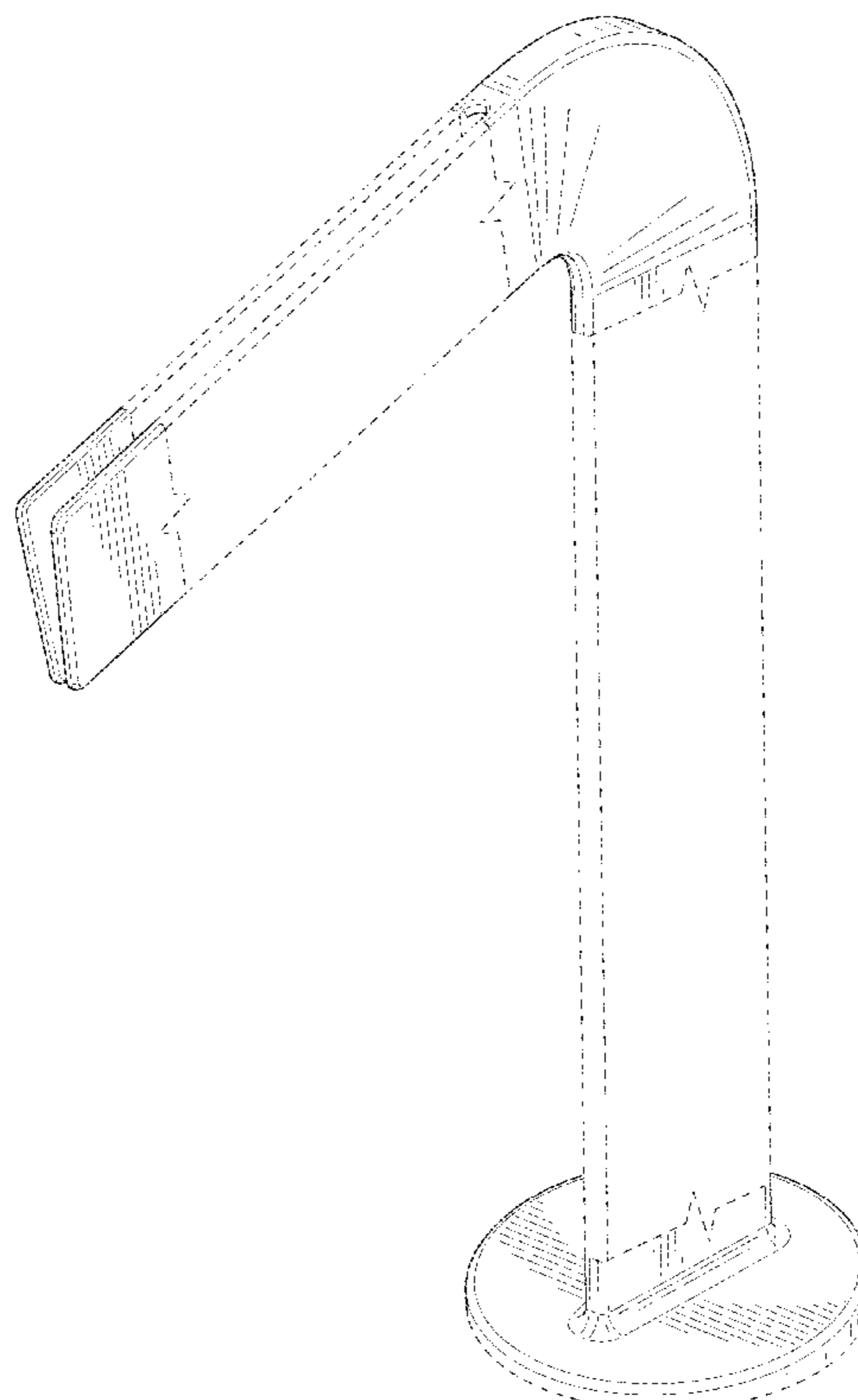
(57) **CLAIM**

We claim the ornamental design for a faucet, as shown and described.

DESCRIPTION

FIG. 1 is a top, front, right perspective view of a faucet. FIG. 2 is a front elevation view thereof; FIG. 3 is a rear elevation view thereof; FIG. 4 is a right side elevation view thereof; FIG. 5 is a left side elevation view thereof; FIG. 6 is a top plan view thereof; and, FIG. 7 is a bottom plan view thereof. Broken lines formed by equal length dashes illustrate portions of the faucet that form no part of the claim. The faucet is shown with a symbolic break in its length and height, any portion of the faucet between the break lines forms no part of the claim.

1 Claim, 5 Drawing Sheets



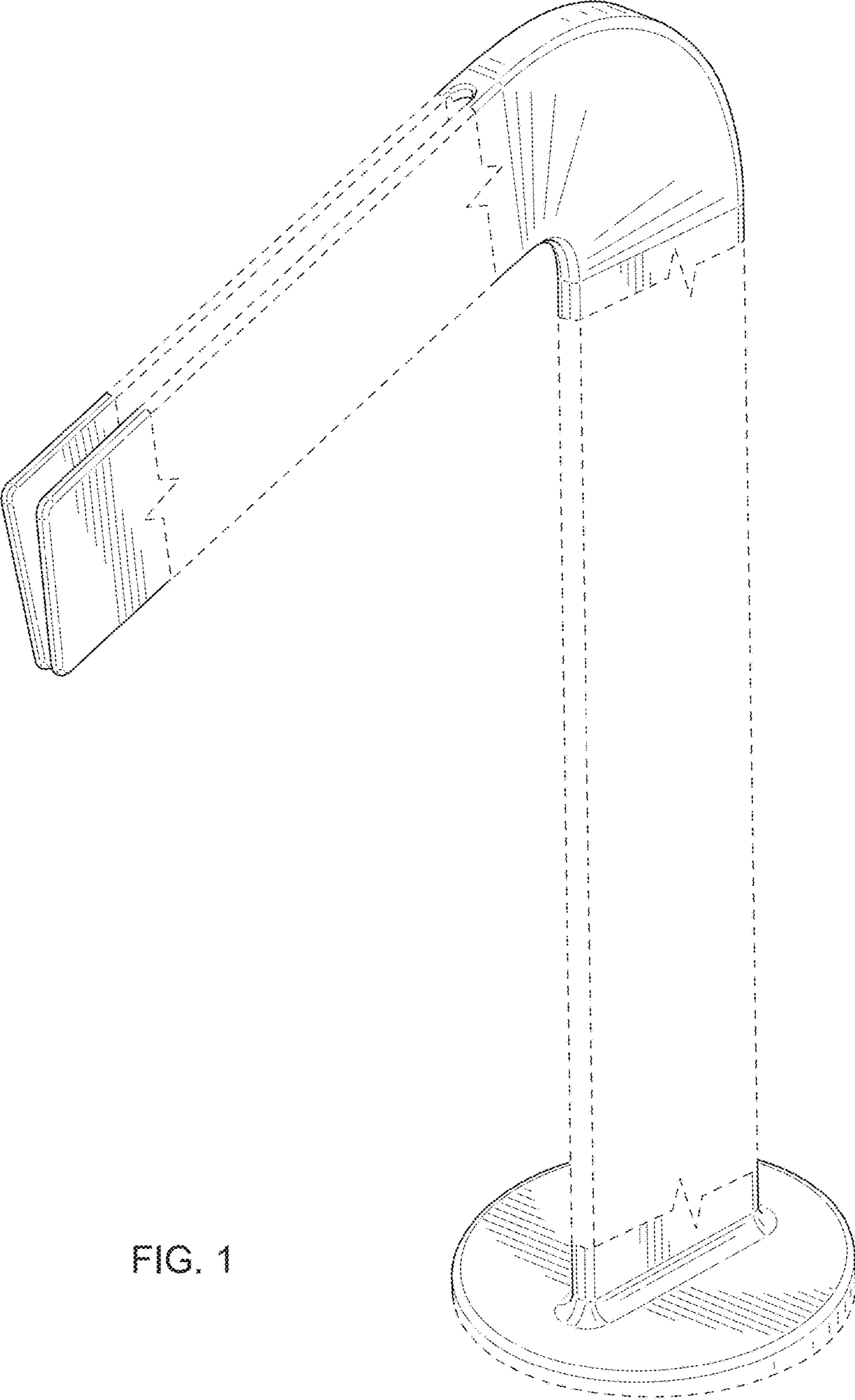
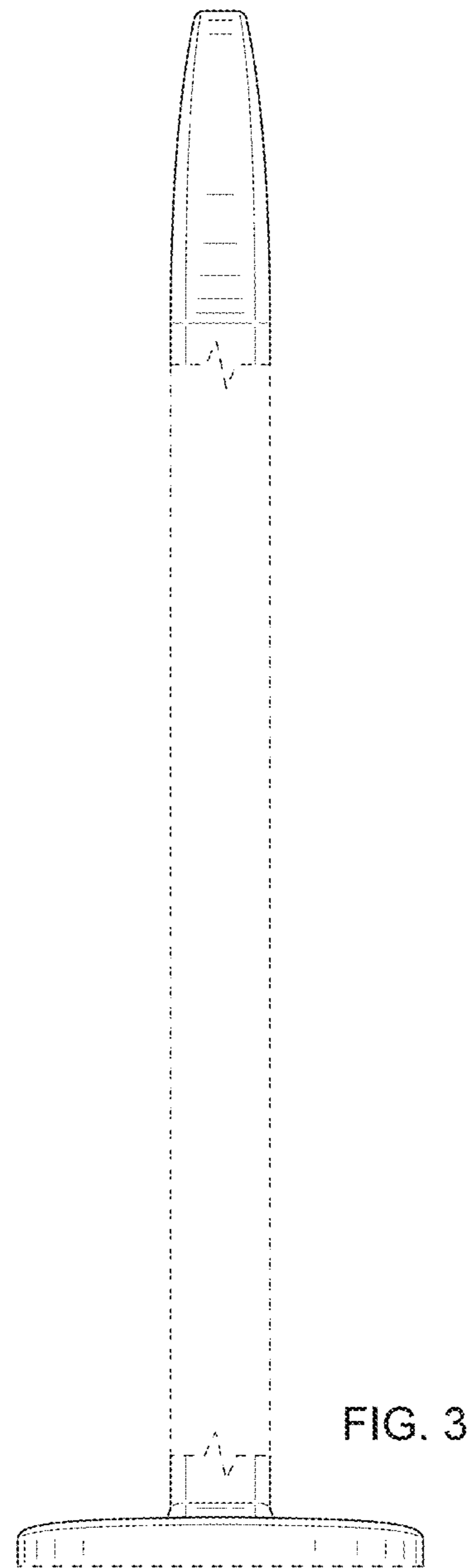
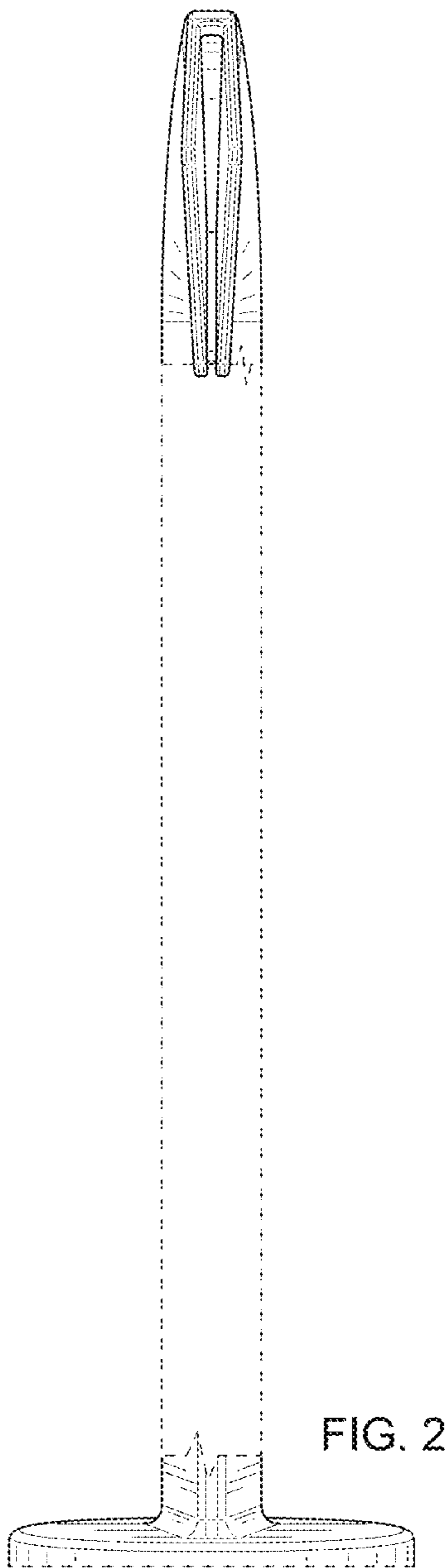


FIG. 1



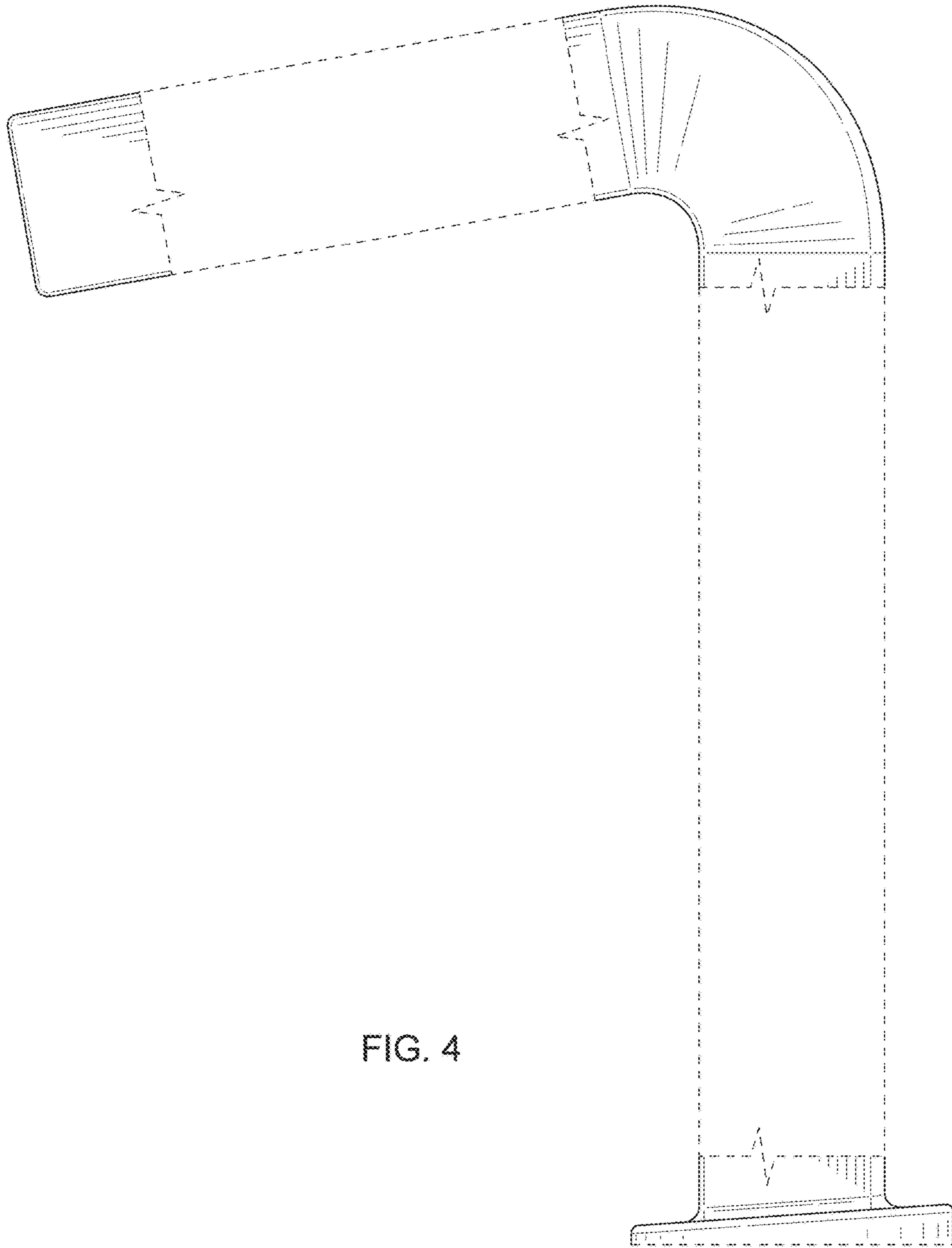
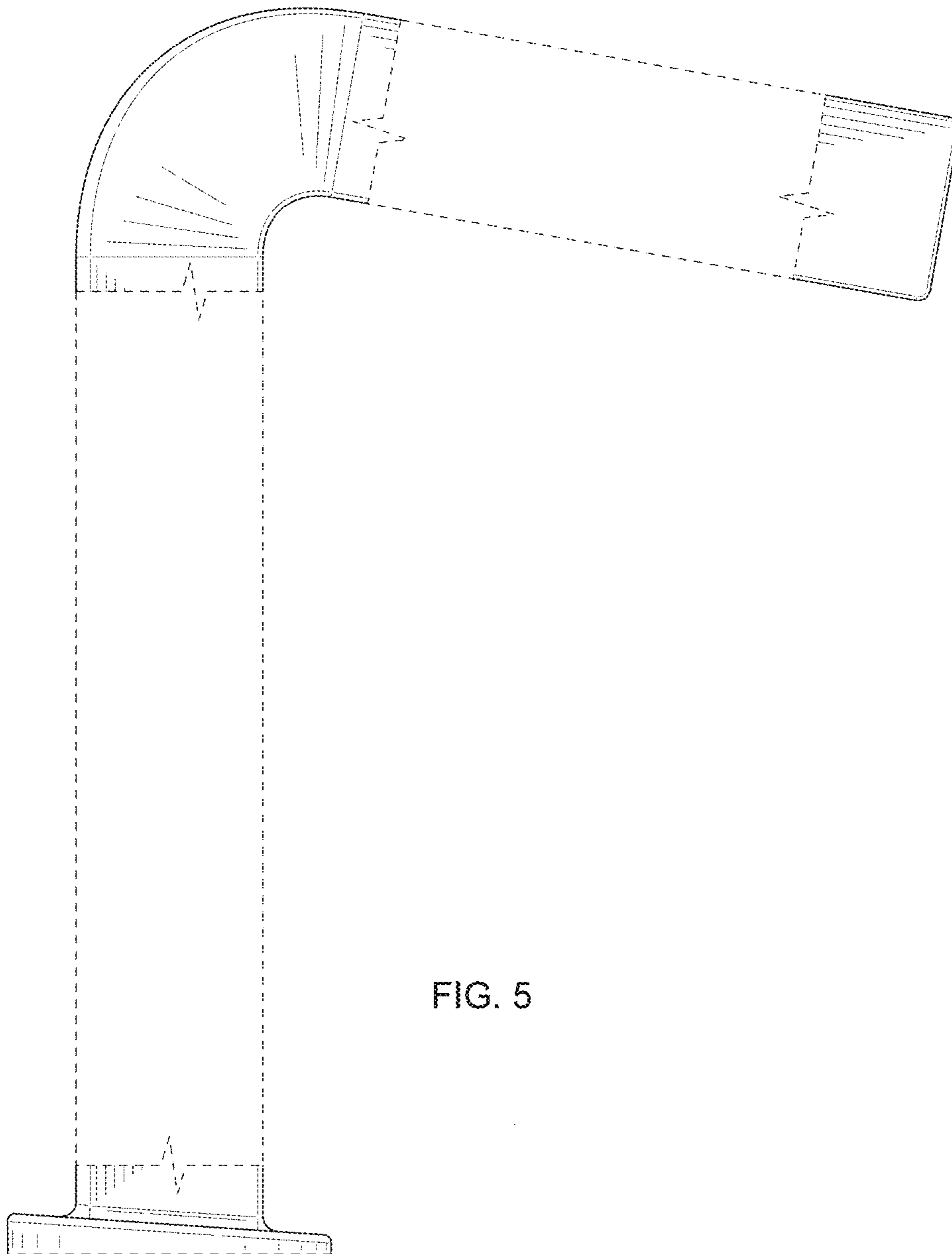


FIG. 4



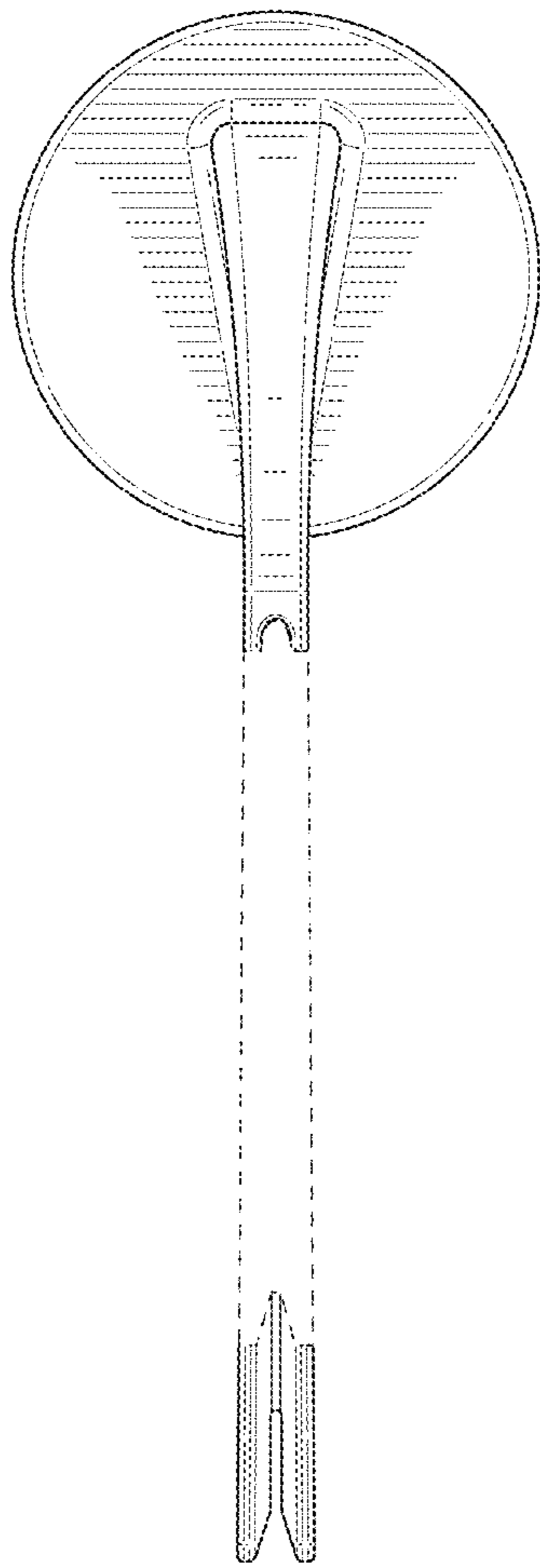


FIG. 6

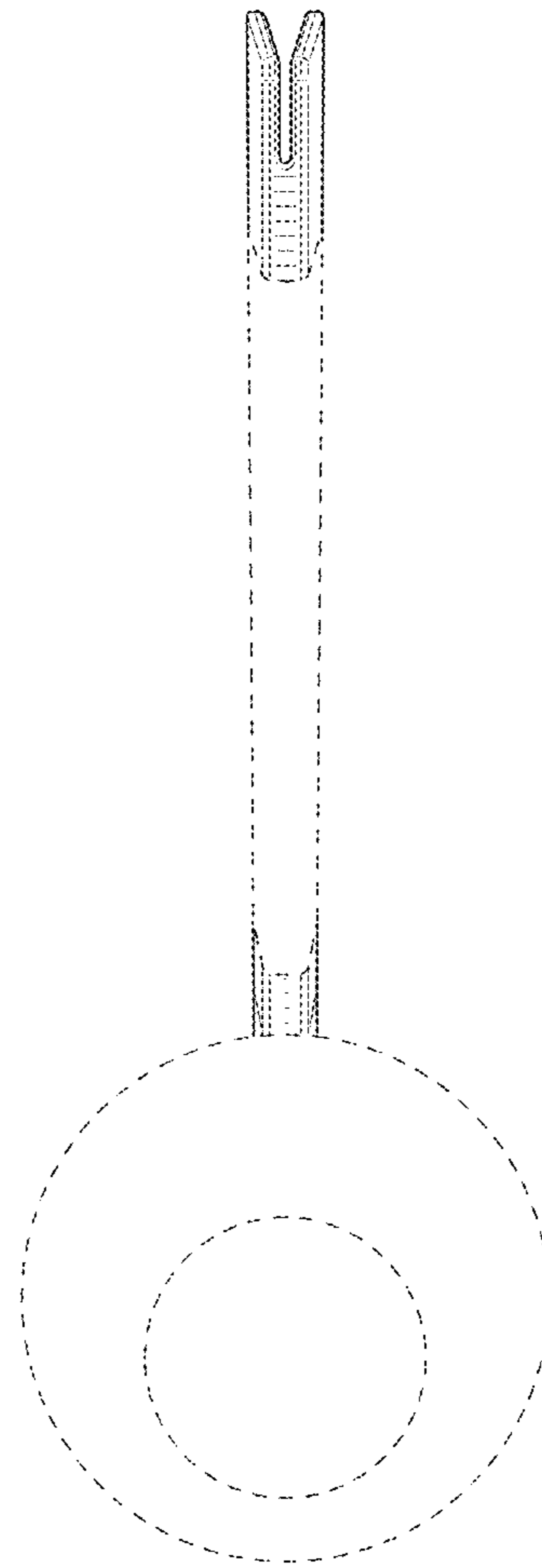


FIG. 7