



US00D859584S

(12) **United States Design Patent**  
**Ramsuer**

(10) **Patent No.:** **US D859,584 S**

(45) **Date of Patent:** **\*\* Sep. 10, 2019**

(54) **HOSE END SPRAYER**  
(71) Applicant: **Silgan Dispensing Systems Corporation**, Grandview, MO (US)  
(72) Inventor: **Brandon L. Ramsuer**, Henrico, VA (US)  
(73) Assignee: **Silgan Dispensing Systems Corporation**, Grandview, MO (US)  
(\*\*) Term: **15 Years**  
(21) Appl. No.: **29/630,861**

D205,337 S \* 7/1966 Sheldall ..... D23/225  
3,363,842 A \* 1/1968 Burns ..... A62C 31/03  
239/441  
D445,872 S \* 7/2001 Ketcham ..... D23/225  
D509,560 S \* 9/2005 Hubmann ..... A62C 31/02  
D23/213  
D709,988 S \* 7/2014 Ford ..... A62C 31/02  
D23/213  
D760,870 S \* 7/2016 Popek ..... A62C 31/02  
D23/225  
9,725,293 B2 \* 8/2017 Quasters ..... B65D 23/02  
D821,541 S \* 6/2018 McDonnell ..... B65D 47/247  
D23/213  
D825,030 S \* 8/2018 McDonnell ..... B05B 1/12  
D23/213  
D827,773 S \* 9/2018 Schneider ..... B05B 1/308  
D23/225

(22) Filed: **Dec. 22, 2017**  
(51) **LOC (12) Cl.** ..... **23-01**  
(52) **U.S. Cl.**  
USPC ..... **D23/213; D23/225**  
(58) **Field of Classification Search**  
USPC ..... D23/213, 223, 225; 222/566; D9/434,  
D9/435, 447, 448; 239/271-2  
CPC ..... A62C 31/02; A62C 31/03; B05B 1/304;  
B05B 1/308; B65D 47/247; B65D 47/24;  
B65D 47/32; B65D 47/06  
See application file for complete search history.

(Continued)

*Primary Examiner* — Robin V Webster  
(74) *Attorney, Agent, or Firm* — Barlow, Joseph & Holmes, Ltd.

(57) **CLAIM**

The ornamental design for a hose end sprayer, as shown and described.

(56) **References Cited**

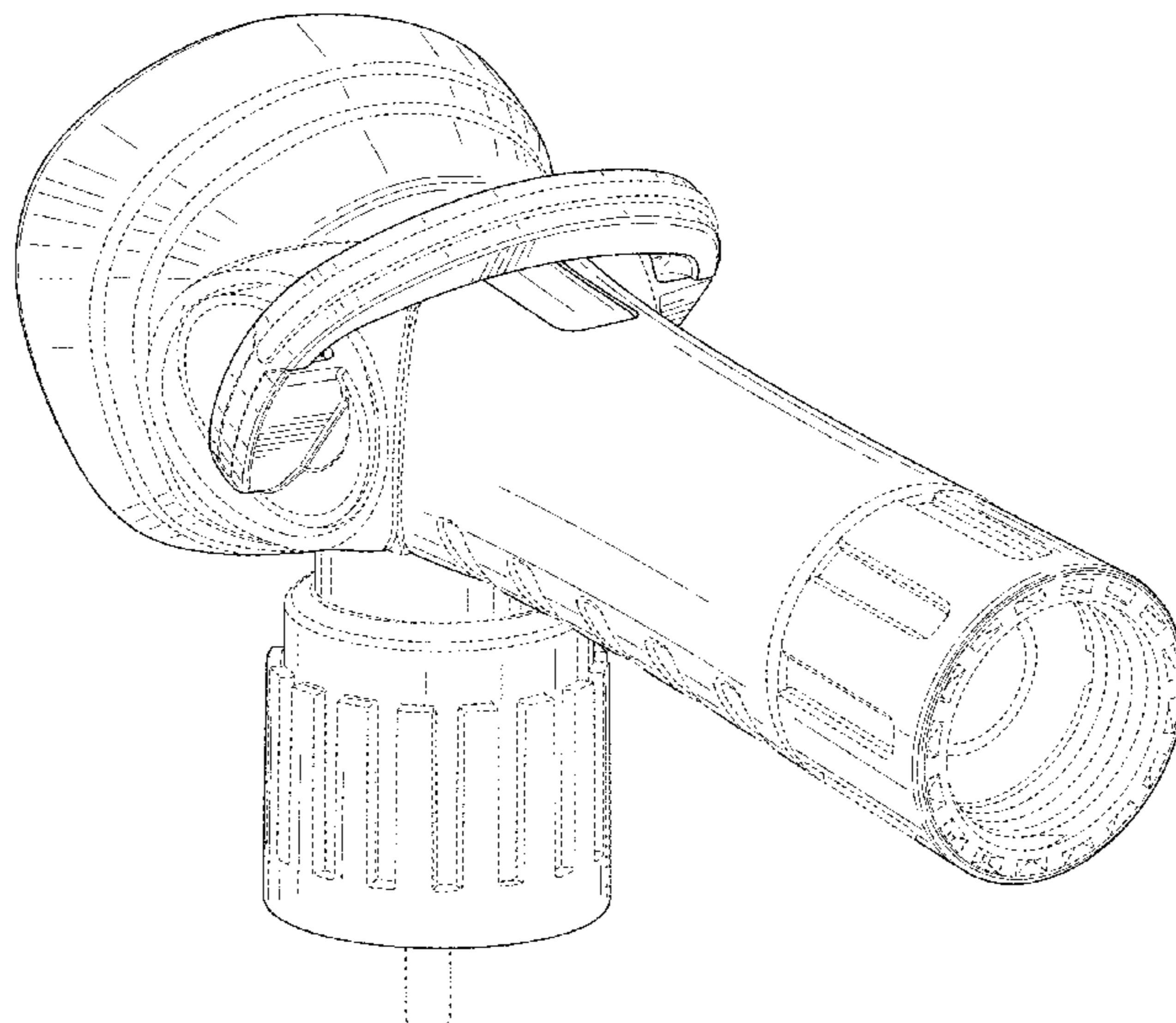
U.S. PATENT DOCUMENTS

2,343,647 A \* 3/1944 Doerr ..... B05B 1/308  
239/457  
2,364,905 A \* 12/1944 Lewis ..... A62C 31/02  
239/457  
2,376,881 A \* 5/1945 Nielsen ..... A62C 31/02  
239/441  
2,388,508 A \* 11/1945 Timpson ..... A62C 31/02  
169/14  
2,993,655 A \* 7/1961 O'Brien ..... B05B 1/12  
239/582.1  
3,001,725 A \* 9/1961 Lockett ..... B05B 1/12  
239/458  
D200,961 S \* 4/1965 Belnert ..... D23/225

**DESCRIPTION**

FIG. 1 is a perspective view of a hose end sprayer in accordance with the present design;  
FIG. 2 is a rear view thereof;  
FIG. 3 is a front view thereof;  
FIG. 4 is a left side view thereof;  
FIG. 5 is a right side view thereof;  
FIG. 6 is a top view thereof; and,  
FIG. 7 is a bottom view thereof.  
The elements shown in broken lines in the Figures are for environmental purposes only and form no part of the claimed design.

**1 Claim, 7 Drawing Sheets**



(56)

**References Cited**

U.S. PATENT DOCUMENTS

10,077,145 B1 \* 9/2018 Boucher ..... B65D 47/247  
D831,791 S \* 10/2018 Tse ..... B65D 23/02  
D23/213

\* cited by examiner

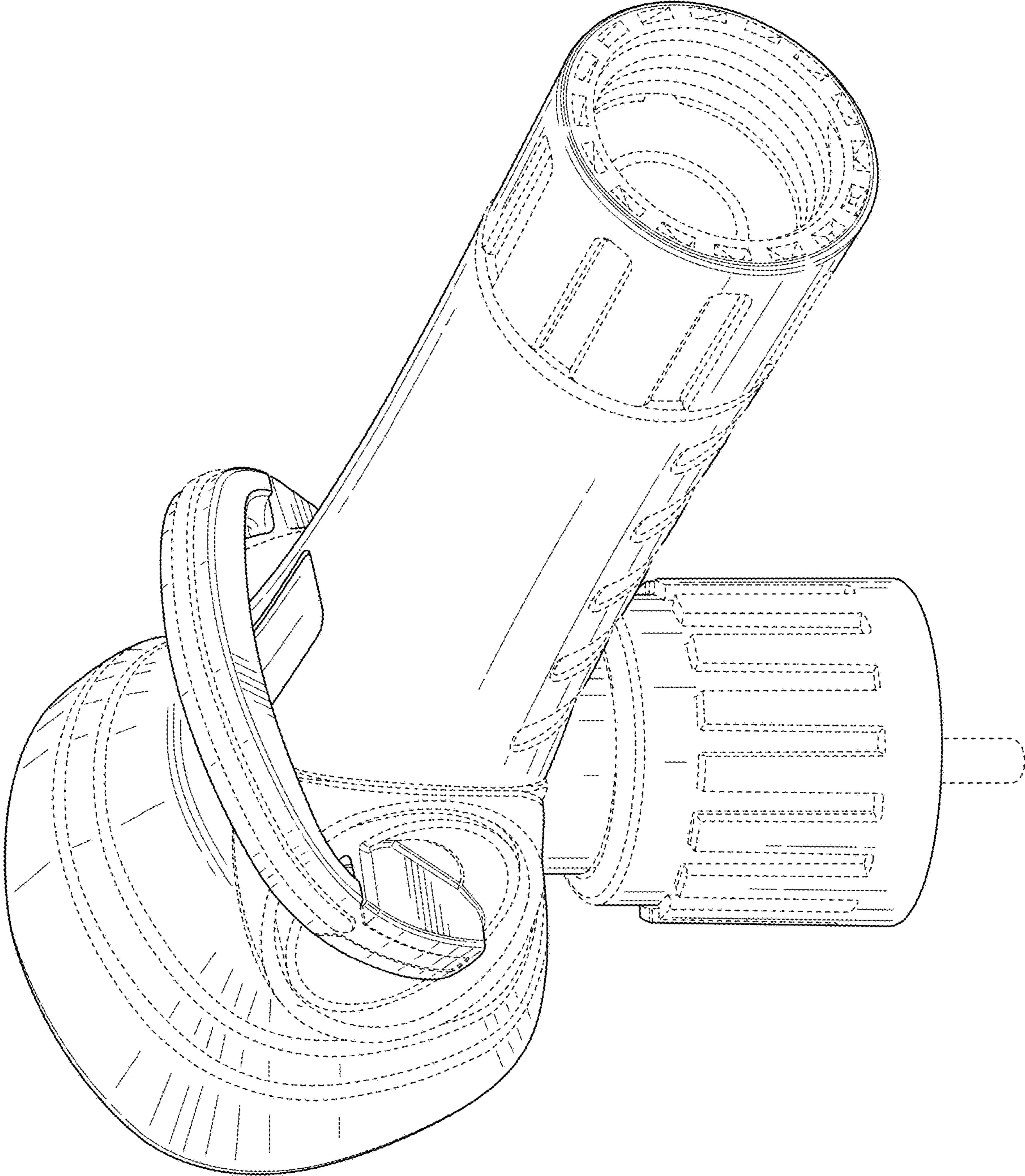


FIG. 1

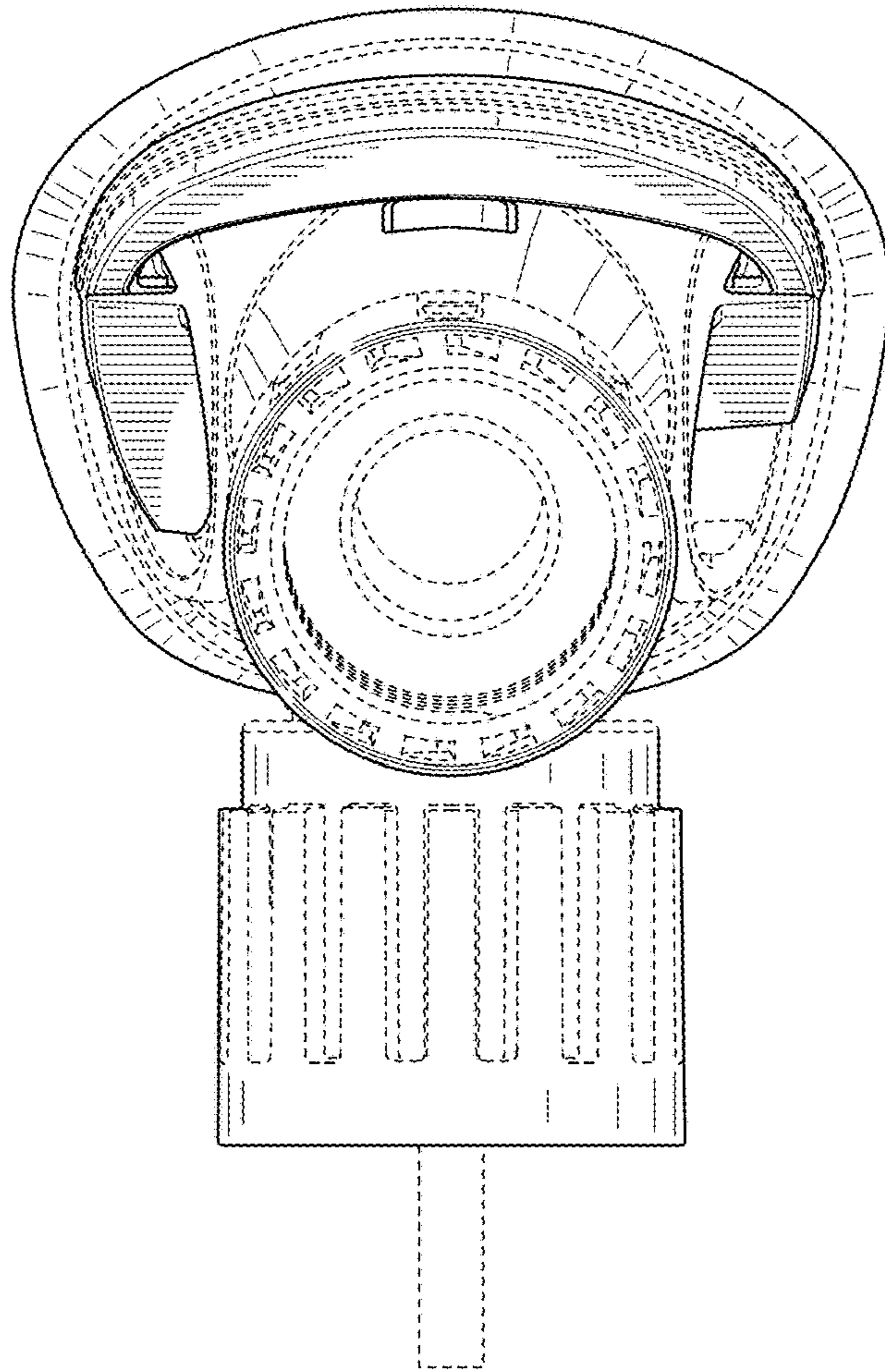


FIG. 2

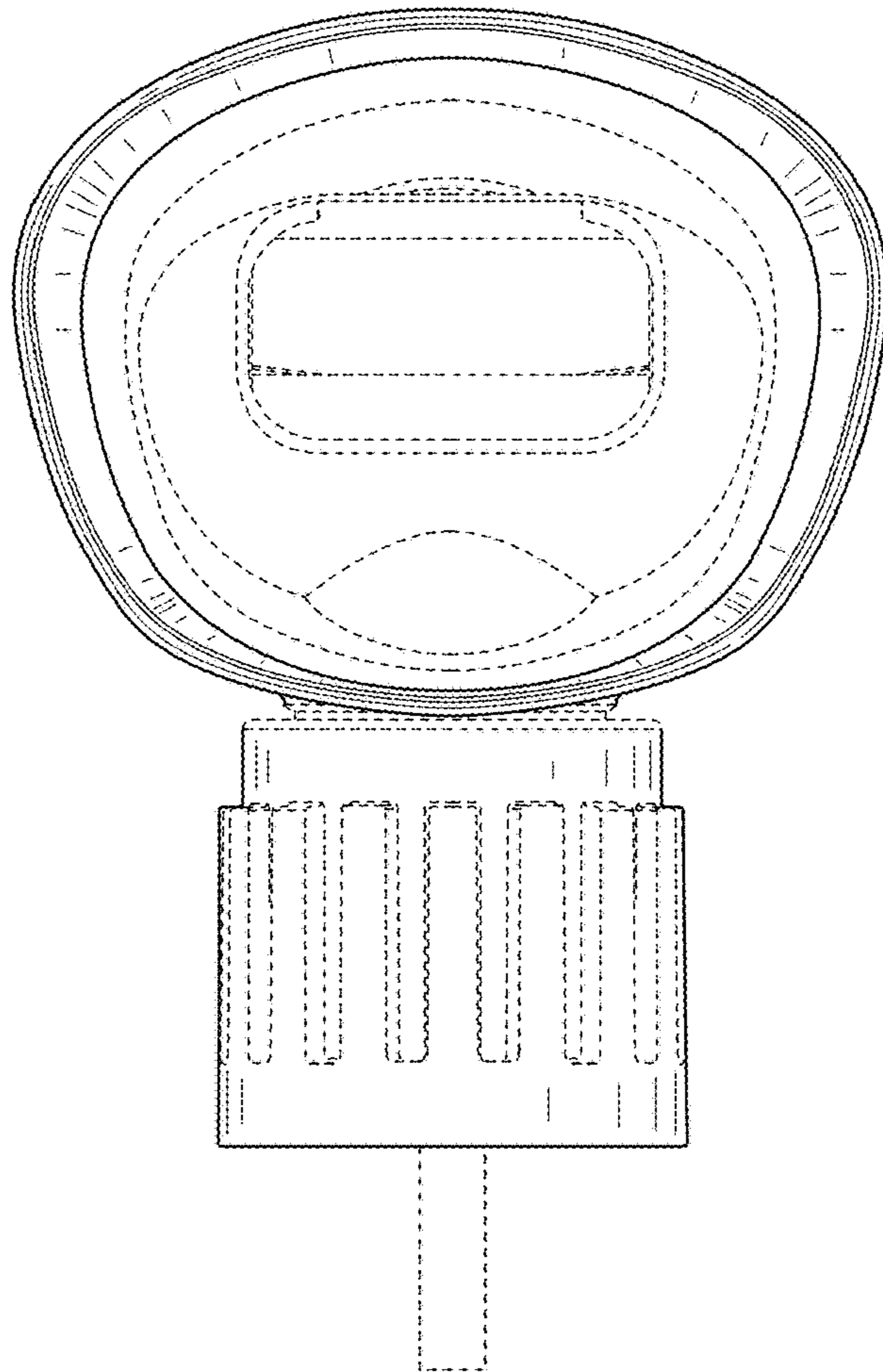


FIG. 3

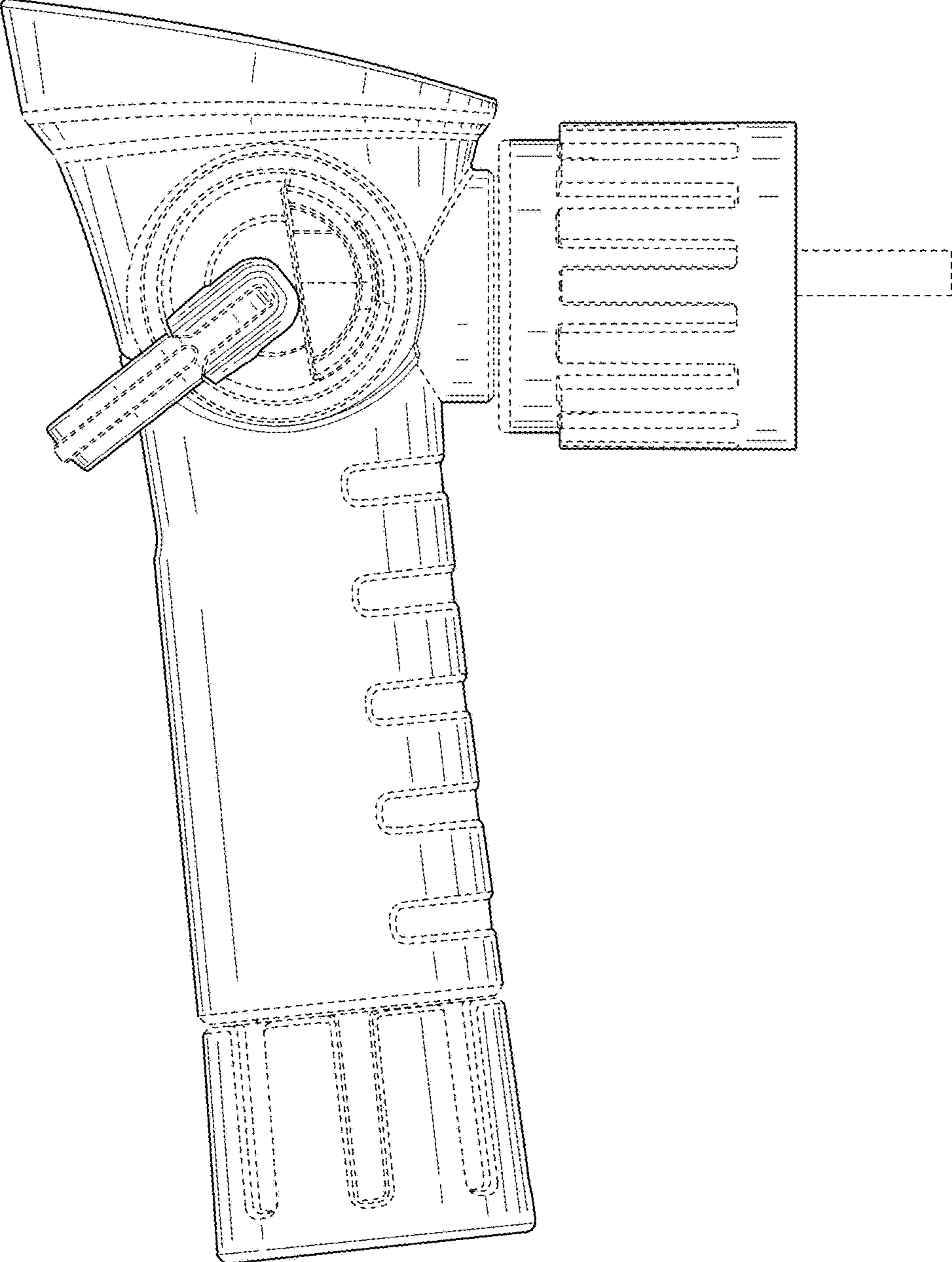


FIG. 4

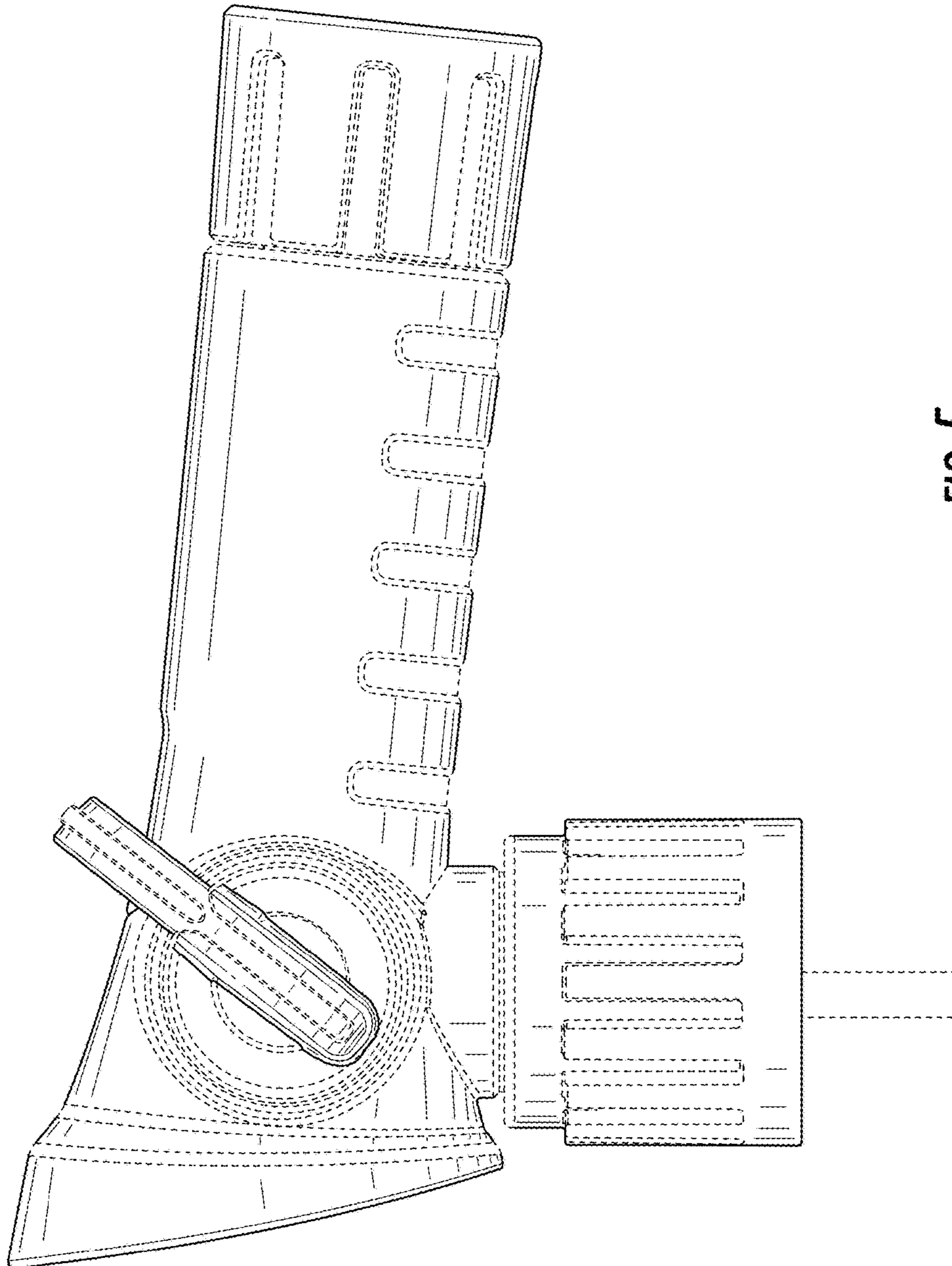
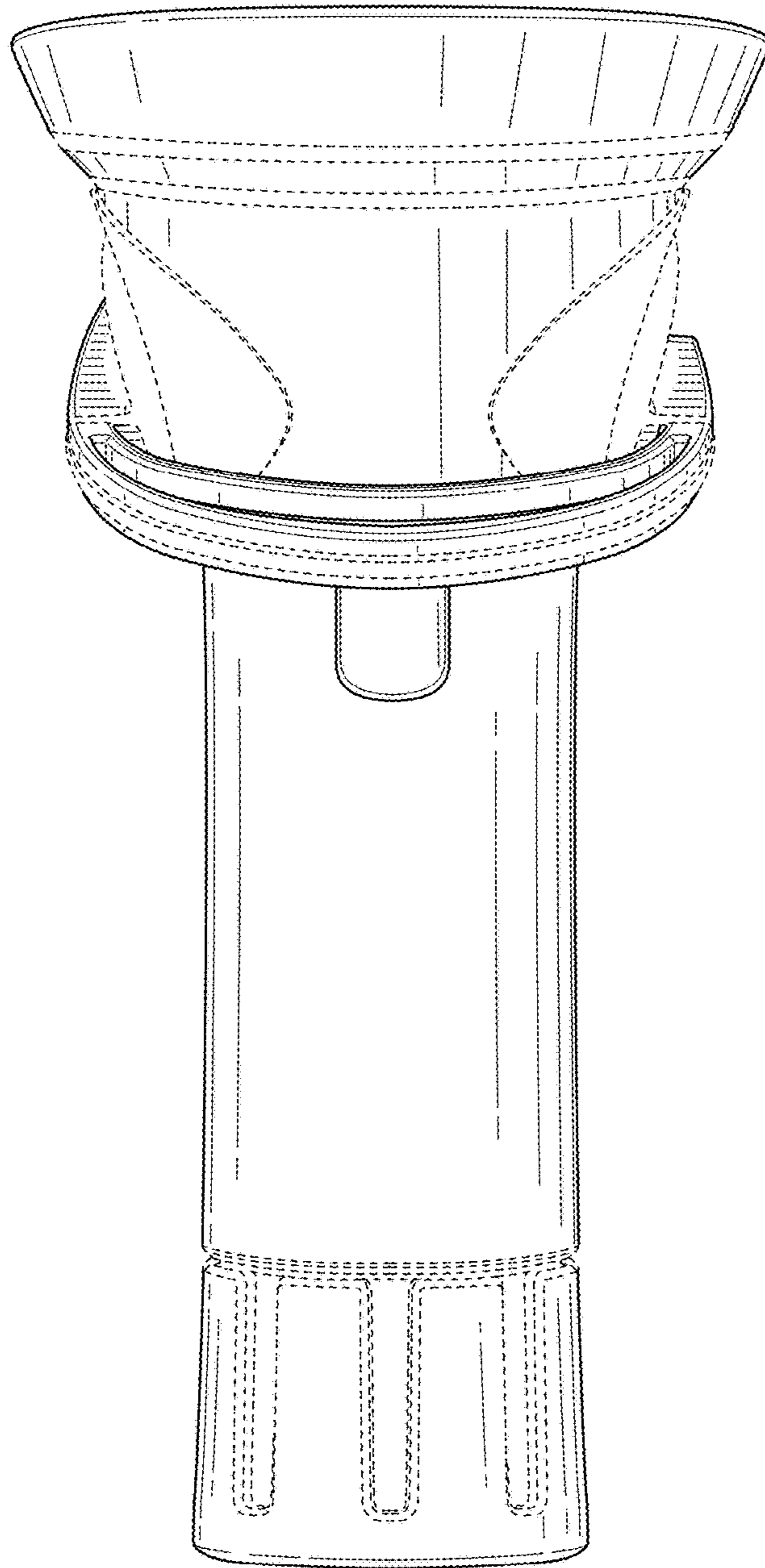
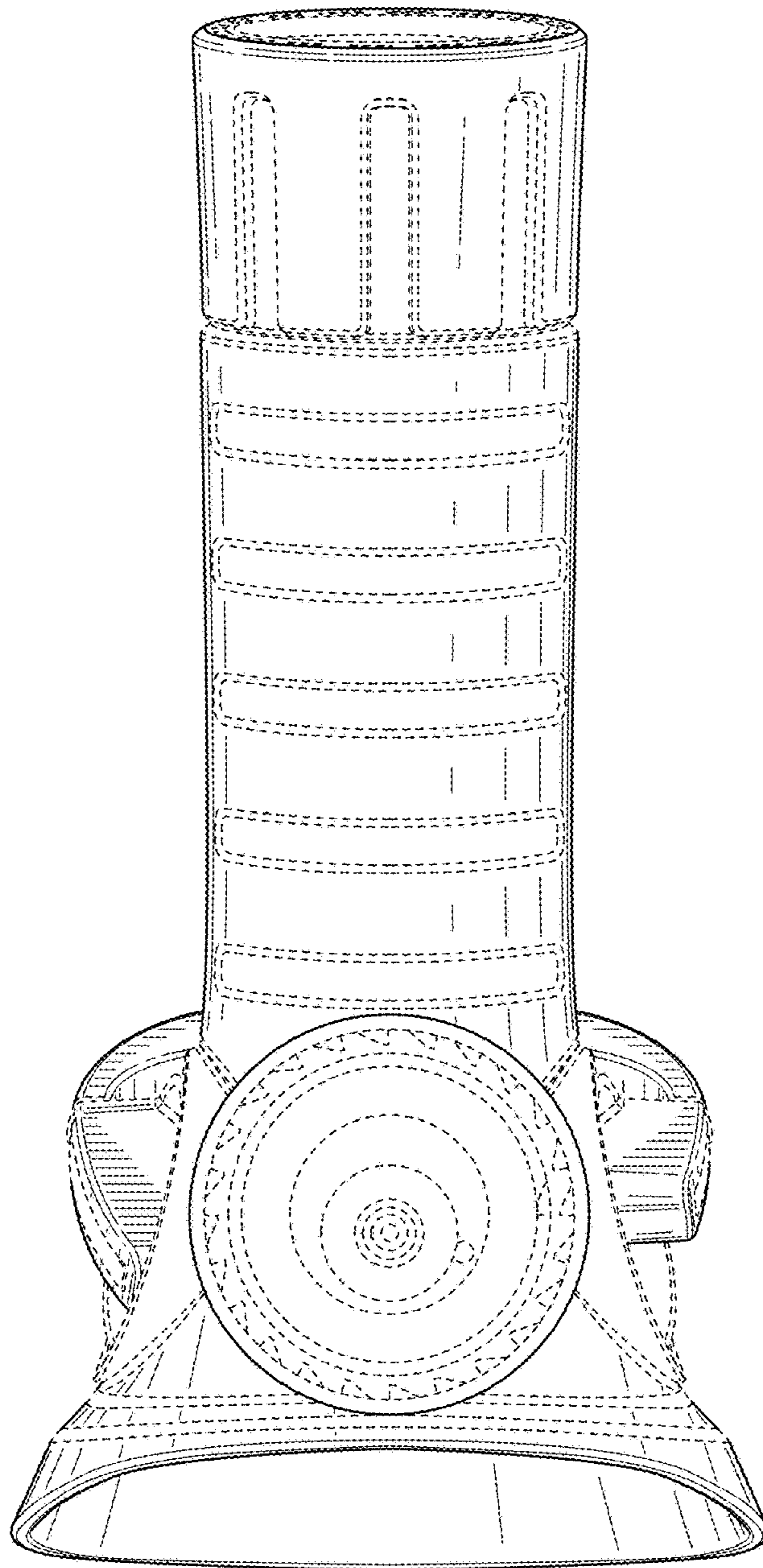


FIG. 5



**FIG. 6**





**FIG. 7**