



US00D859577S

(12) **United States Design Patent**
Newman

(10) **Patent No.:** **US D859,577 S**

(45) **Date of Patent:** **** Sep. 10, 2019**

(54) **FISHING DEVICE**

(71) Applicant: **Ralph R. Newman**, Englewood, CO
(US)

(72) Inventor: **Ralph R. Newman**, Englewood, CO
(US)

(**) Term: **15 Years**

(21) Appl. No.: **29/608,580**

(22) Filed: **Jun. 22, 2017**

(51) **LOC (12) Cl.** **22-05**

(52) **U.S. Cl.**
USPC **D22/134**

(58) **Field of Classification Search**
USPC D22/134, 149-150, 199; 43/15, 17.2,
43/42.72, 43.1, 42.74, 43.16, 43.49,
43/44.83, 44.85
CPC A01K 91/00; A01K 91/06; A01K 91/10;
A01K 91/053; A01K 83/00; A01K 97/24;
A01K 97/045
See application file for complete search history.

3,217,443 A * 11/1965 Goodman A01K 91/06
43/42.46

3,771,252 A * 11/1973 Odenwald A01K 95/00
43/44.97

D274,080 S * 5/1984 Hall D22/149

4,848,020 A * 7/1989 Lash A01K 97/24
43/17.2

4,989,360 A * 2/1991 Lewis A01K 91/053
43/42.49

5,301,455 A * 4/1994 Harold A01K 83/00
43/42.74

D666,690 S * 9/2012 Leistner D22/149

* cited by examiner

Primary Examiner — Catherine R Oliver-Garcia
(74) *Attorney, Agent, or Firm* — Reilly Intellectual
Property Law Firm

(57) **CLAIM**

The ornamental design for a fishing device, as shown and described.

DESCRIPTION

FIG. 1 is a front perspective view;
FIG. 2 is an expanded view of FIG. 1;
FIG. 3 is a top view of FIG. 1;
FIG. 4 is a front view of FIG. 1;
FIG. 5 is a side view of FIG. 1;
FIG. 6 is a rear view of FIG. 1;
FIG. 7 is a bottom view of FIG. 1; and,
FIG. 8 is an opposite side view of FIG. 5.
The broken lines included in FIGS. 1-10 are for the purpose of illustrating environmental structure and form no part of the claimed design.

1 Claim, 3 Drawing Sheets

(56) **References Cited**

U.S. PATENT DOCUMENTS

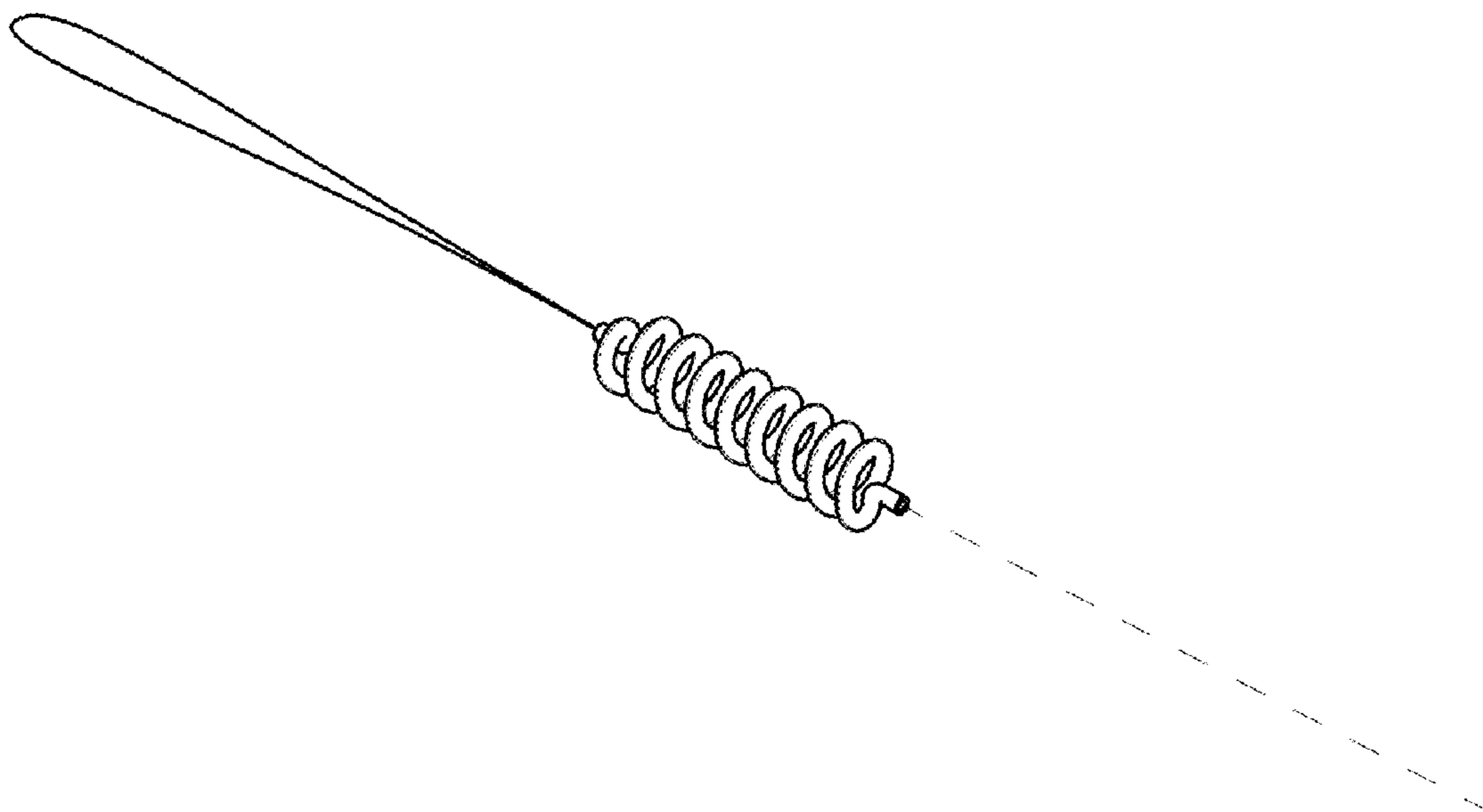
283,444 A * 8/1883 Wentworth 43/15

1,250,053 A * 12/1917 Tukey A01K 91/06
43/42.72

2,306,181 A * 12/1942 Neumann A01K 97/045
43/42.1

2,344,838 A * 3/1944 Van Sickle A01K 97/24
43/17.2

2,918,745 A * 12/1959 Haynie A01K 91/10
43/15



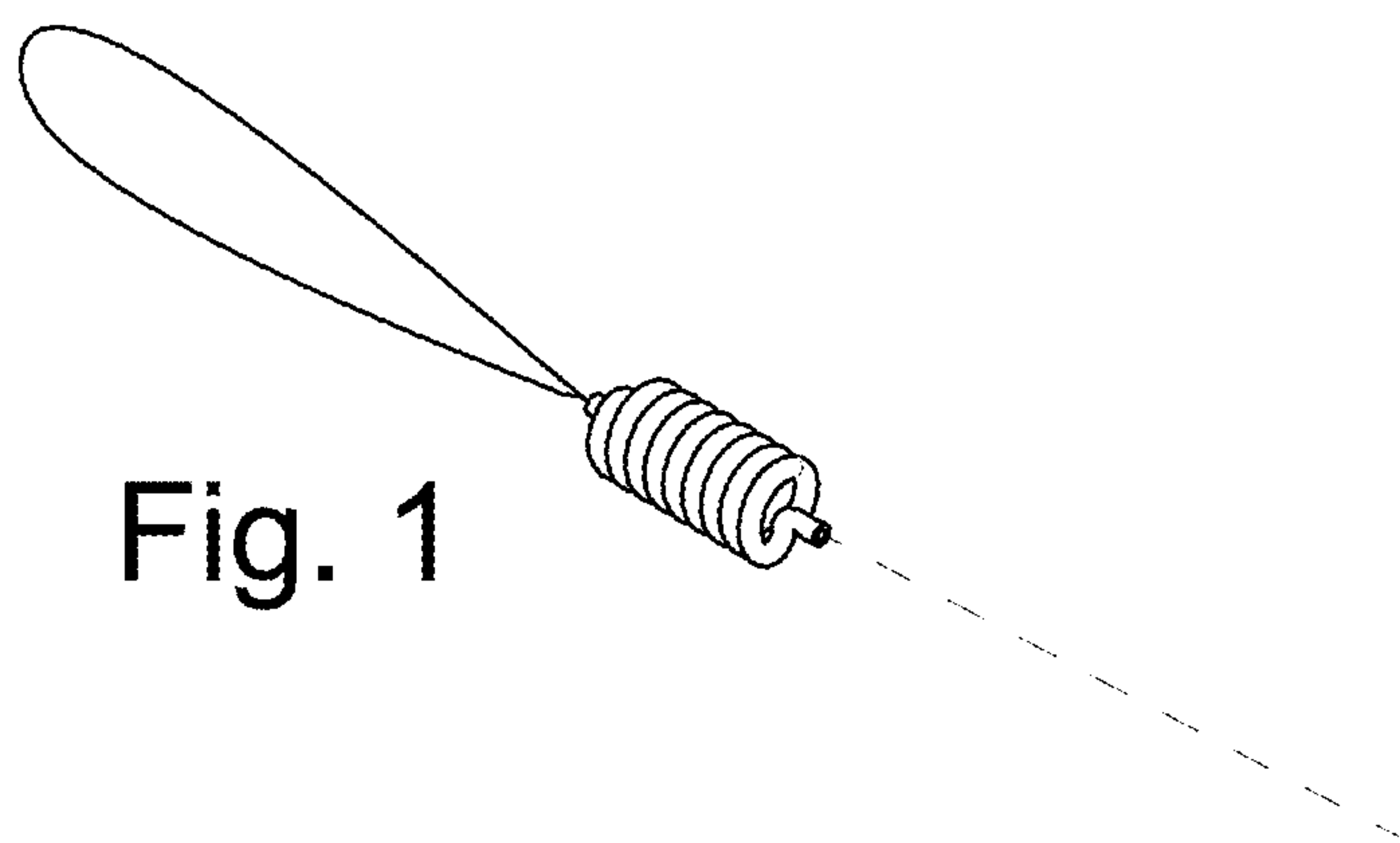


Fig. 1

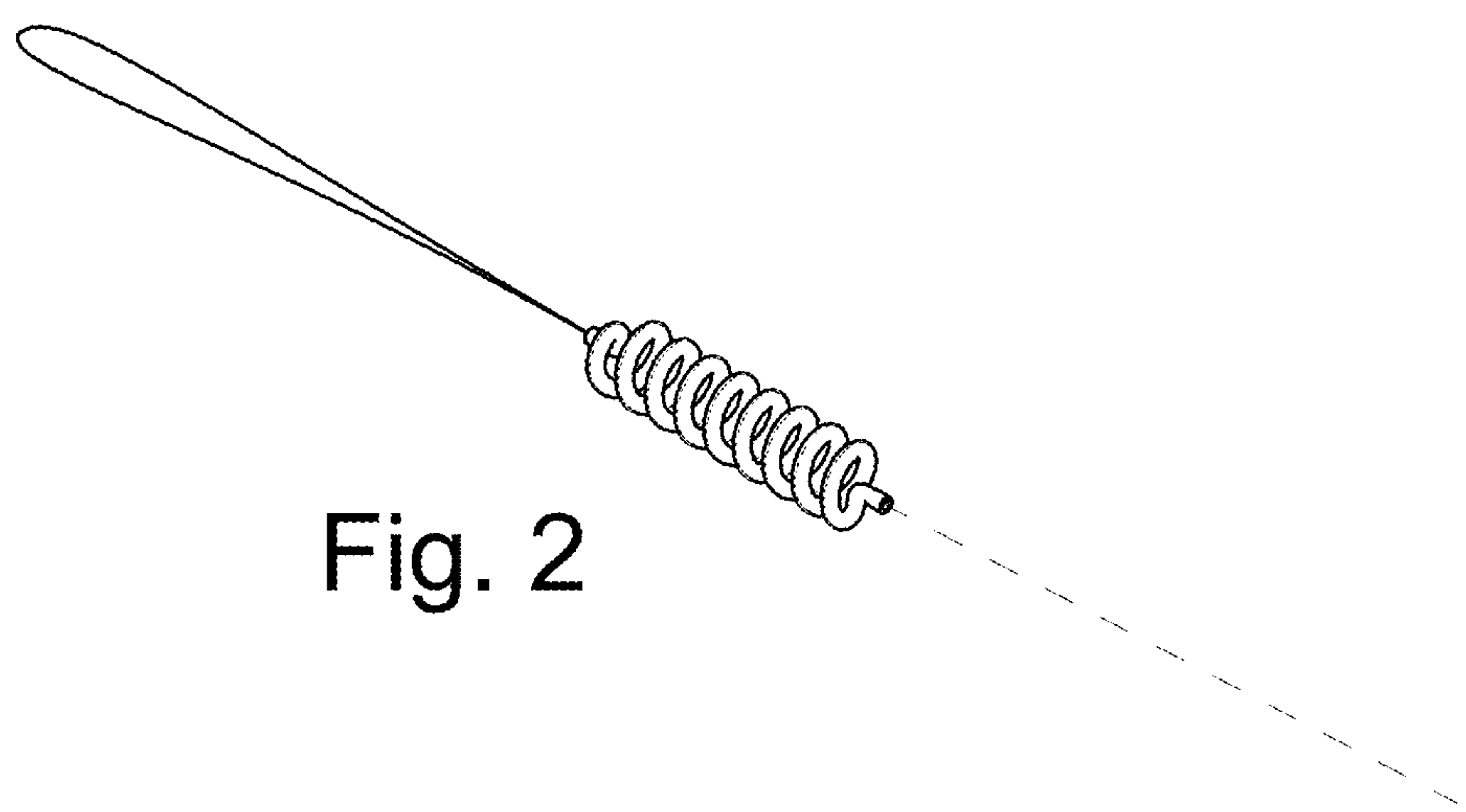


Fig. 2

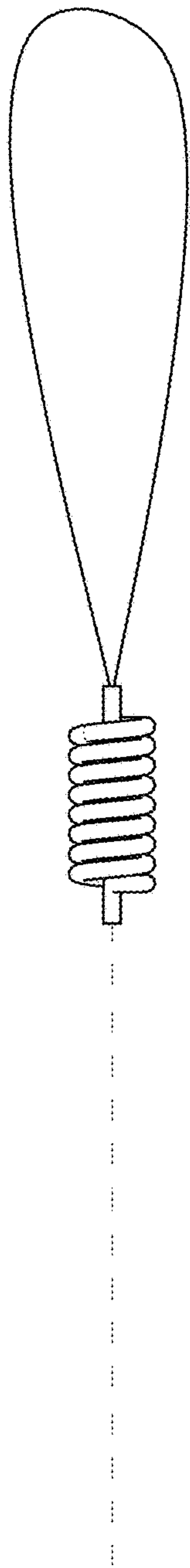


Fig. 4

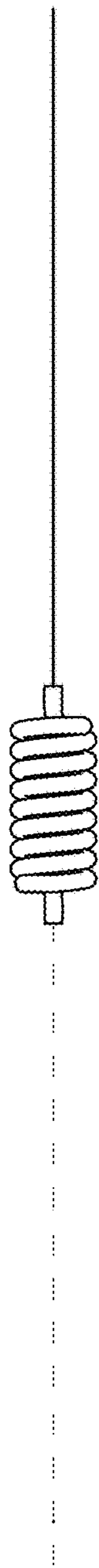


Fig. 5

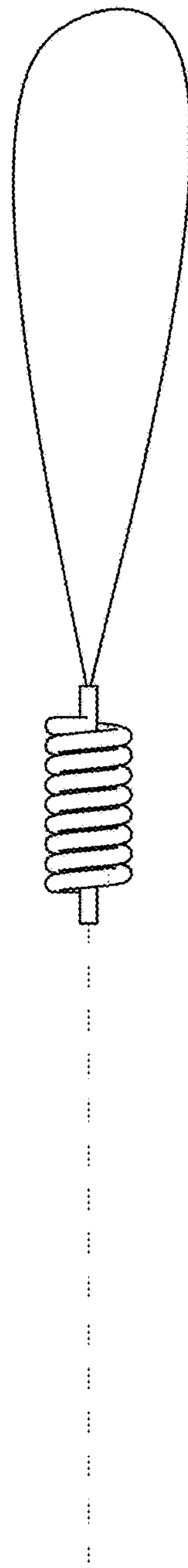


Fig. 6

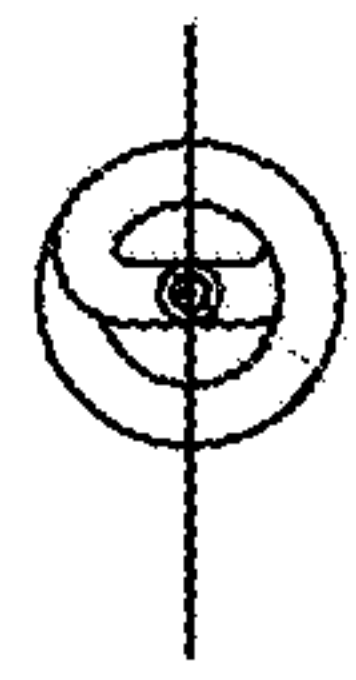


Fig. 7

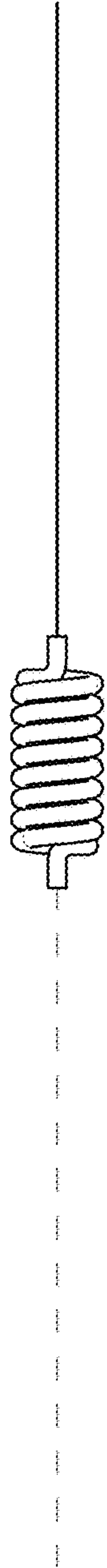


Fig. 8