



US00D859571S

(12) **United States Design Patent** (10) **Patent No.:** **US D859,571 S**
Spine (45) **Date of Patent:** **** Sep. 10, 2019**

(54) **HANDGUN MAGAZINE**

(56) **References Cited**

(71) Applicant: **HS PRODUKT D.O.O.**, Karlovac (HR)

U.S. PATENT DOCUMENTS

(72) Inventor: **Marijo Spine**, Karlovac (HR)

2017/0146310 A1* 5/2017 Biran F41A 17/46
2017/0363398 A1* 12/2017 McCloy F42B 8/08
2018/0058785 A1* 3/2018 Hefer F41A 9/83
2018/0066907 A1* 3/2018 Hefer F41A 9/83
2018/0347929 A1* 12/2018 Hsu F41A 9/72

(**) Term: **15 Years**

* cited by examiner

(21) Appl. No.: **35/505,308**

(22) Filed: **Jun. 22, 2018**

Primary Examiner — Michael A. Pratt

(80) **Hague Agreement Data**

(57) **CLAIM**

Int. Filing Date: **Jun. 22, 2018**

The ornamental design for handgun magazine, as shown and described.

Int. Reg. No.: **DM/101799**

Int. Reg. Date: **Jun. 22, 2018**

Int. Reg. Pub. Date: **Jul. 13, 2018**

DESCRIPTION

(51) **LOC (12) Cl.** **22-01**

1. Handgun magazine

(52) **U.S. Cl.**

1.1 : Perspective

USPC **D22/108**

1.2 : Left

(58) **Field of Classification Search**

USPC D22/108

1.3 : Right

CPC F41A 9/70; F41A 9/65; F41A 9/71; F41A

1.4 : Back

9/68; F41A 9/69; F41A 11/02; F41A

1.5 : Front

9/61; F41A 9/00; F41A 9/17; F41A 9/23;

1.6 : Perspective

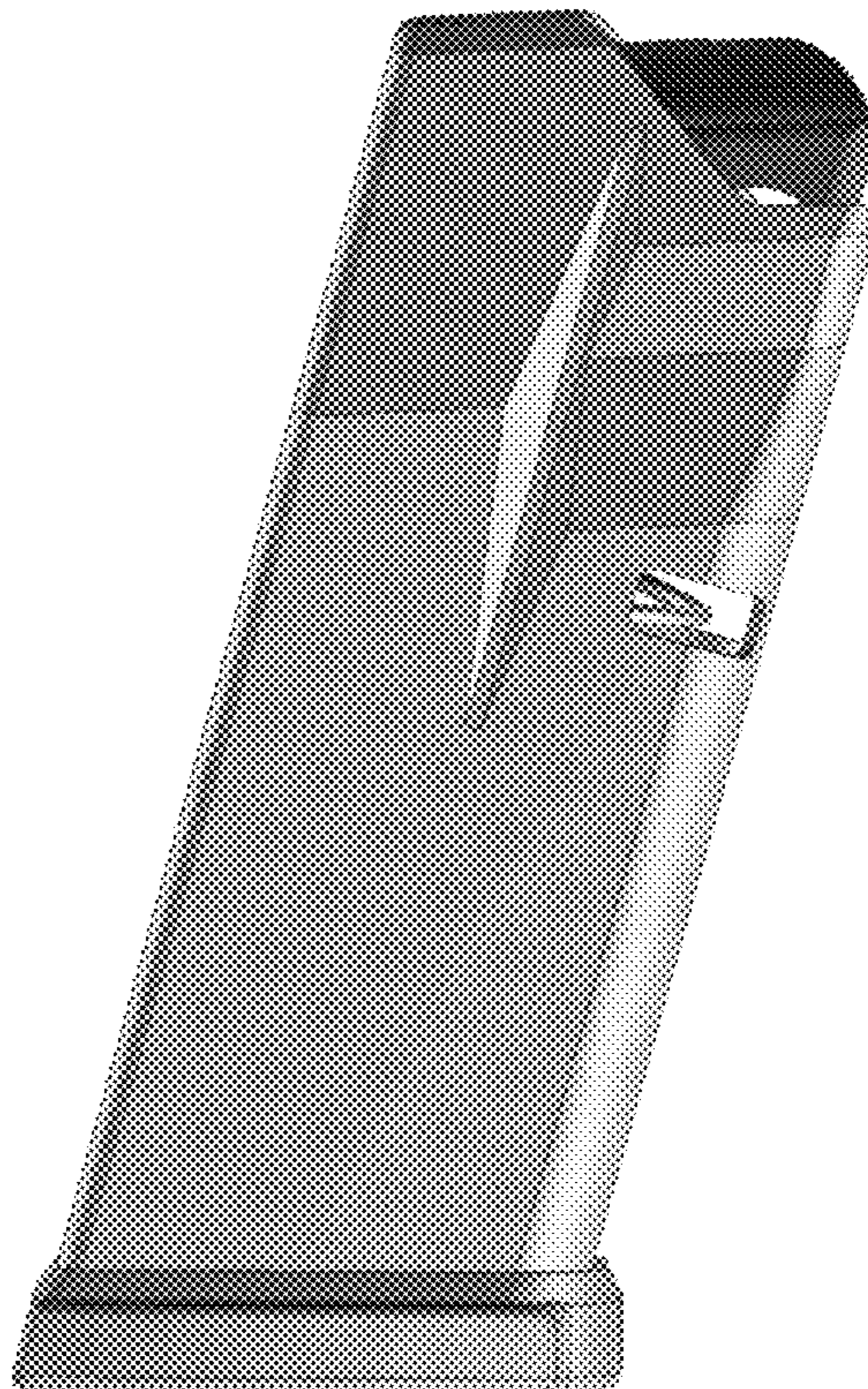
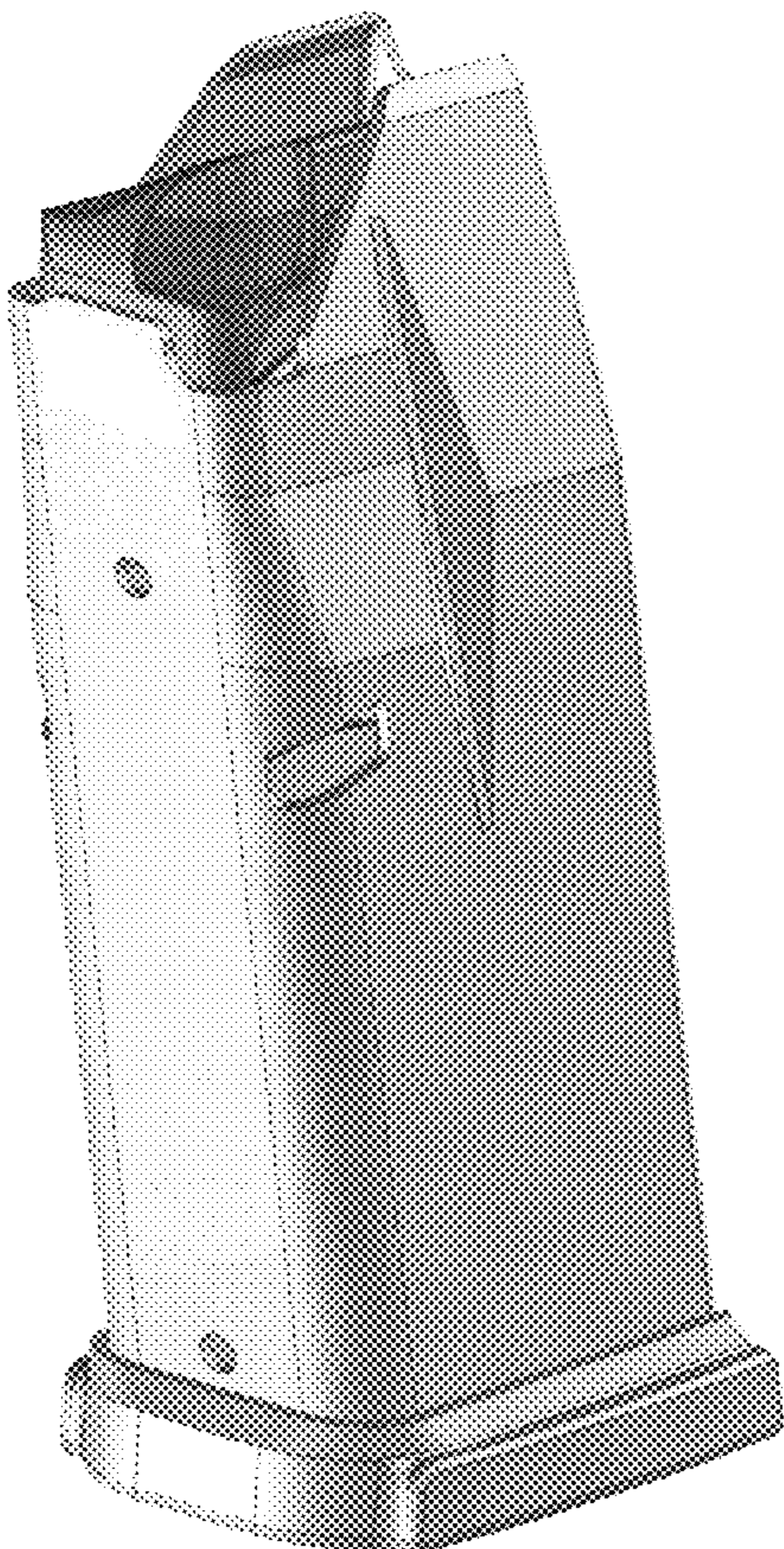
F41A 9/34; F41A 9/84

1.7 : Perspective

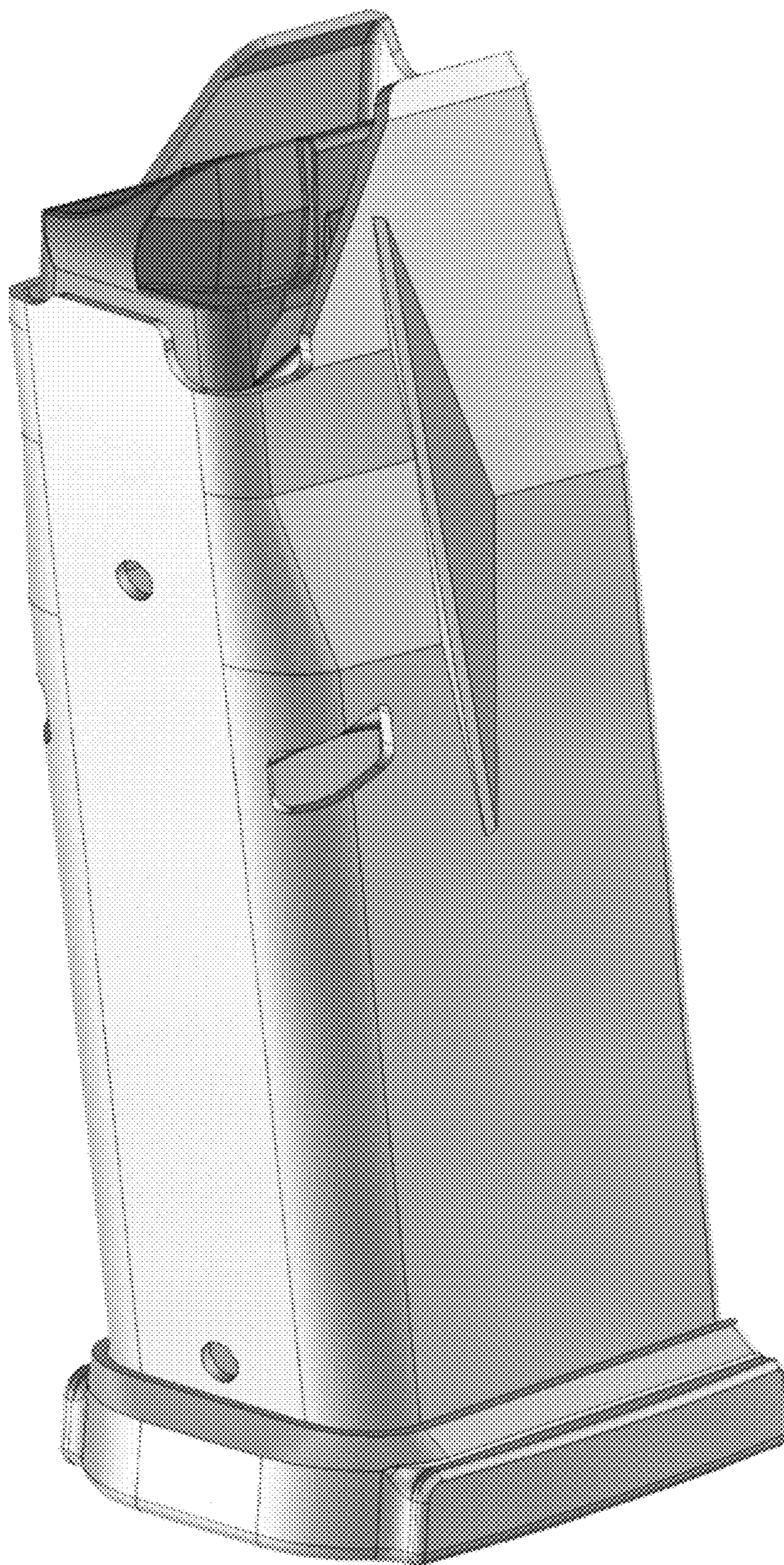
See application file for complete search history.

1.8 : Perspective

1 Claim, 8 Drawing Sheets



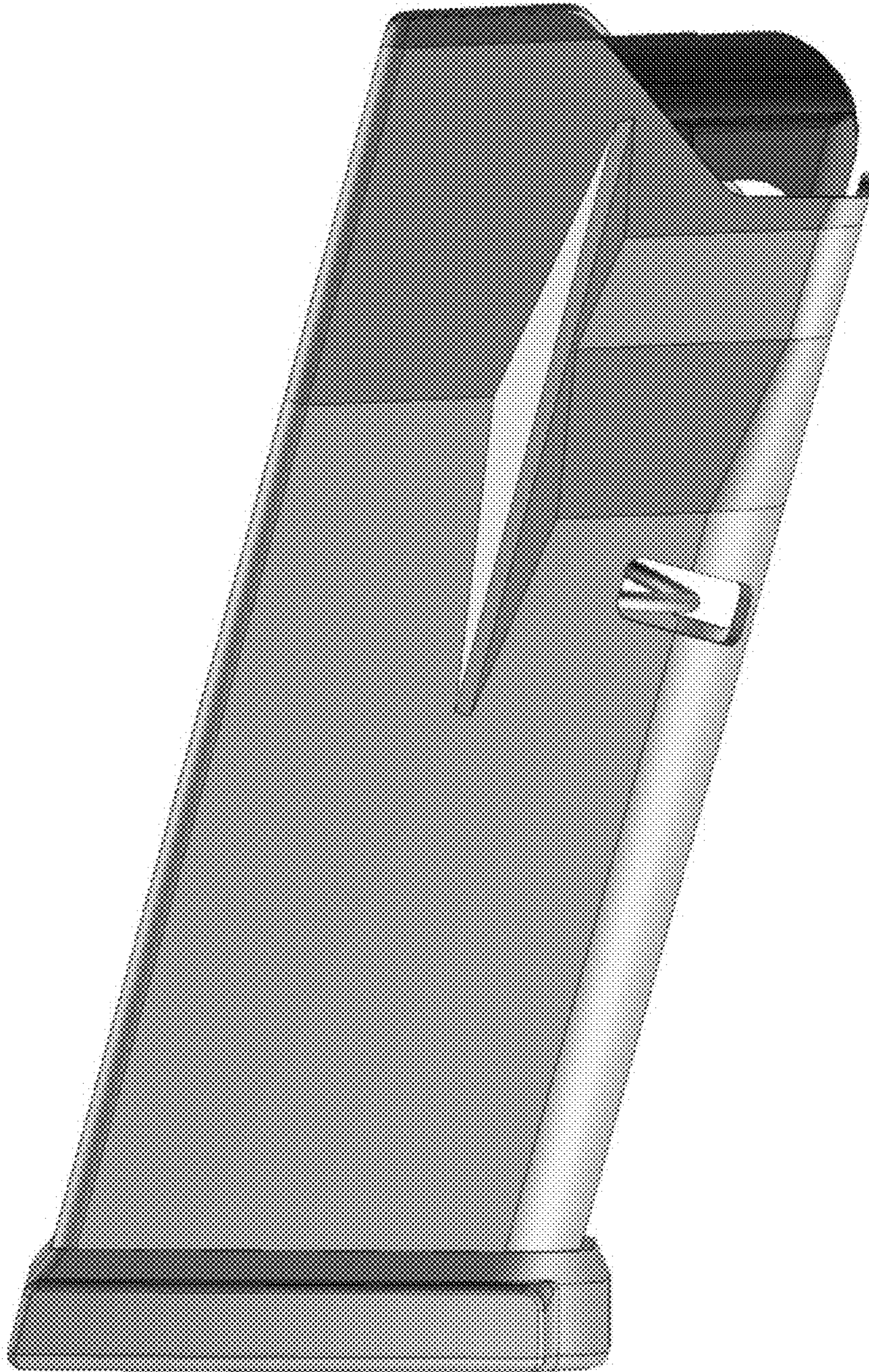
1.1



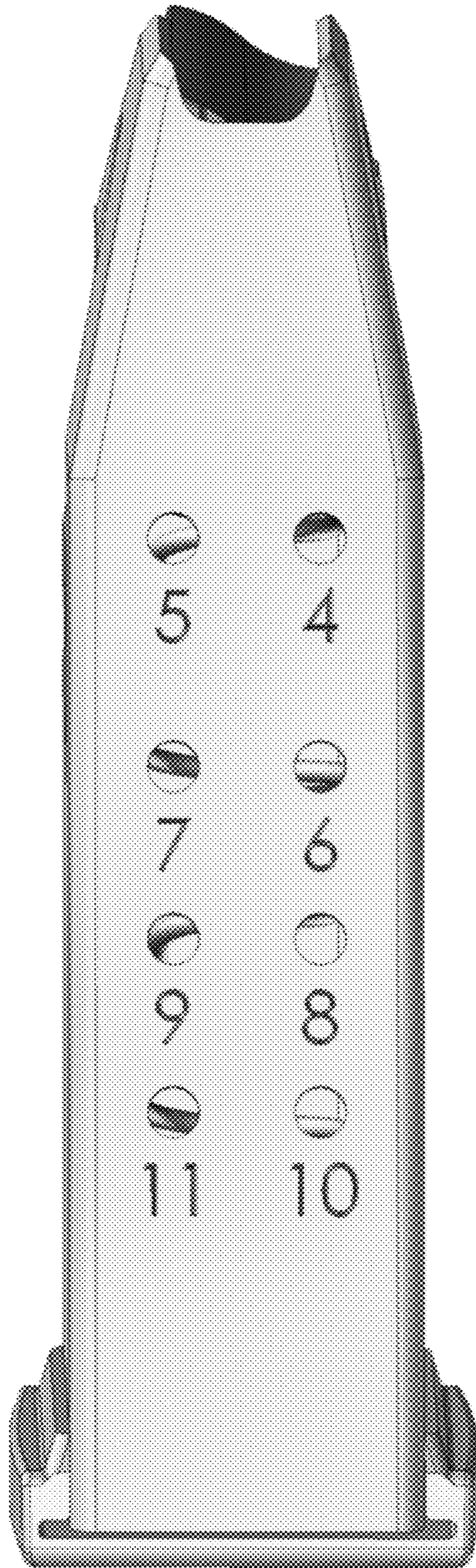
1.2



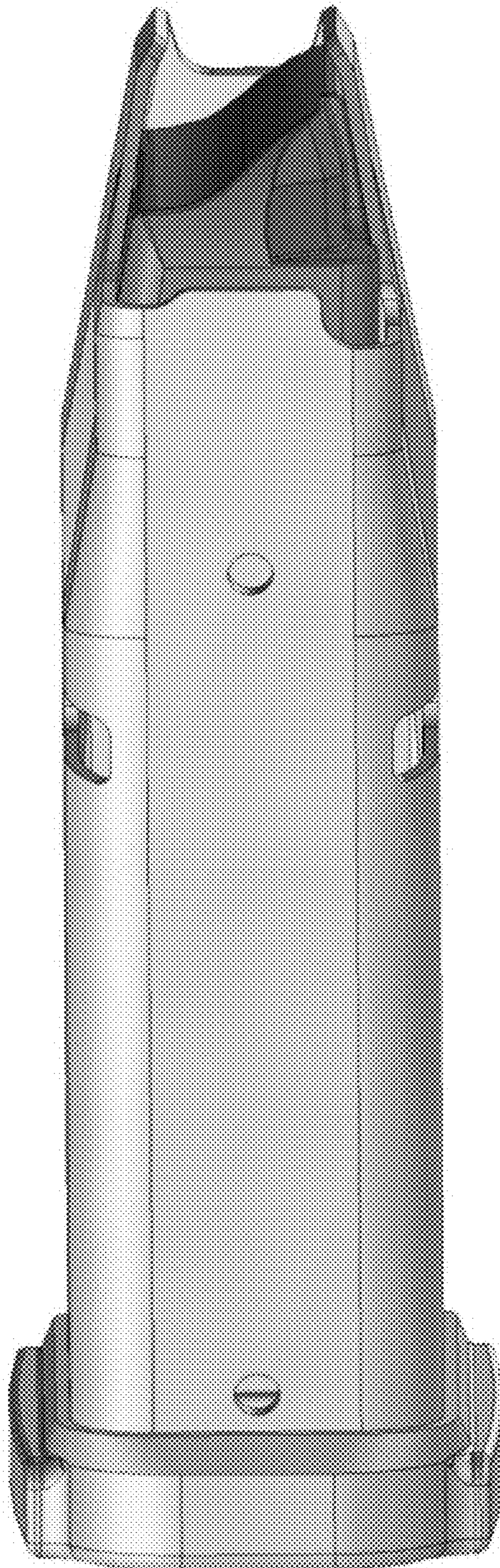
1.3



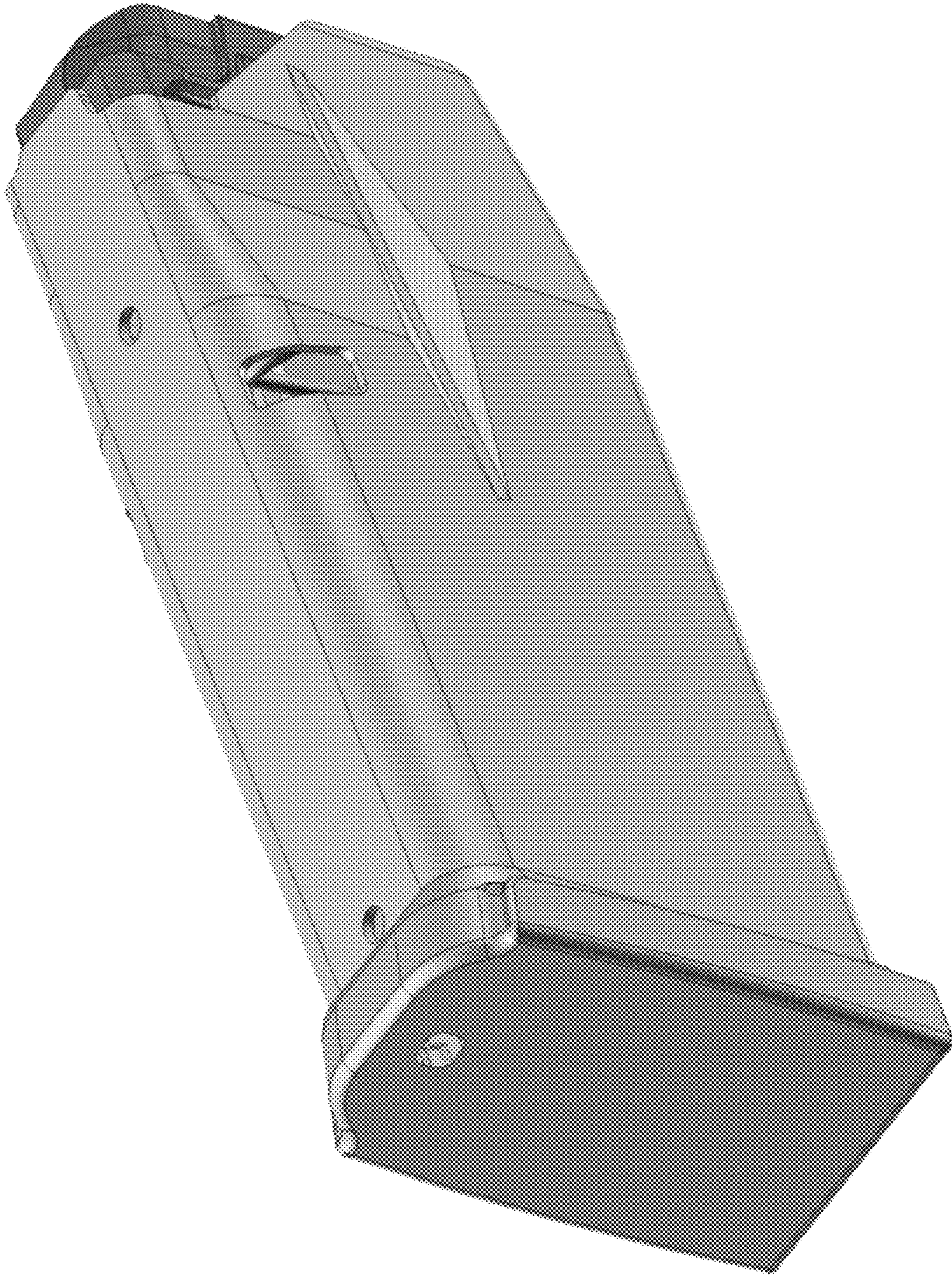
1.4



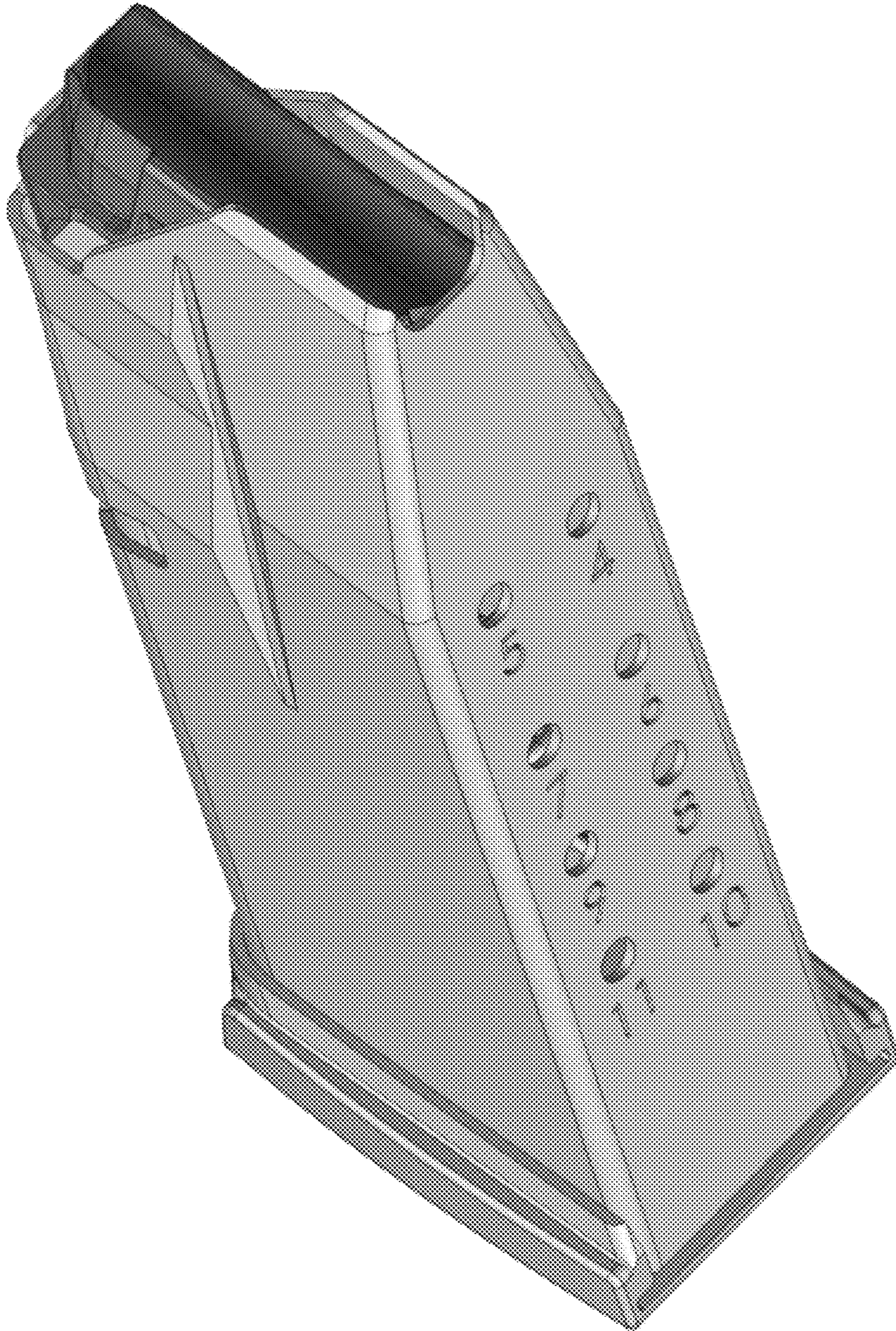
1.5



1.6



1.7



1.8

