



US00D859566S

(12) **United States Design Patent**  
**Mooty et al.**

(10) **Patent No.:** **US D859,566 S**

(45) **Date of Patent:** **\*\* Sep. 10, 2019**

(54) **SUPPRESSOR HEAT SHIELD ASSEMBLY**

(71) Applicant: **Sig Sauer, Inc.**, Newington, NH (US)

(72) Inventors: **Thomas Mooty**, Manchester, NH (US);  
**David Steimke**, Epping, NH (US);  
**Aaron C. Sakash**, Somersworth, NH (US)

(73) Assignee: **Sig Sauer, Inc.**, Newington, NH (US)

(\*\*) Term: **15 Years**

(21) Appl. No.: **29/606,248**

(22) Filed: **Jun. 2, 2017**

(51) **LOC (12) Cl.** ..... **22-01**

(52) **U.S. Cl.**  
USPC ..... **D22/108**

(58) **Field of Classification Search**  
USPC ..... D22/108, 199; D21/570, 573–575  
(Continued)

(56) **References Cited**

U.S. PATENT DOCUMENTS

D158,795 S \* 5/1950 Powell ..... 42/79  
D350,169 S \* 8/1994 Arad ..... D21/570  
(Continued)

FOREIGN PATENT DOCUMENTS

WO WO-2011140474 A2 \* 11/2011 ..... F41A 21/325  
WO 2015119700 A3 8/2015

OTHER PUBLICATIONS

PTS Griffin Armament M4SD-II Suppressor Gen 2, posted at Airsoft Junkiez, posting date Jun. 4, 2017. Site visited Mar. 5, 2019. URL: <<https://web.archive.org/web/20170604082112/http://www.airsoftjunkiez.com/pts-griffin-armament-m4sd-ii-suppressor-gen-2-black/>> (Year: 2017).\*

(Continued)

*Primary Examiner* — Kevin K Rudzinski

*Assistant Examiner* — Kathleen L Jones

(74) *Attorney, Agent, or Firm* — Finch & Maloney PLLC

(57) **CLAIM**

The ornamental design for a suppressor heat shield assembly, as shown and described.

**DESCRIPTION**

FIG. 1 is an exploded, distal-end, top, and left-side perspective view of a suppressor heat shield assembly showing our new design;

FIG. 2 is a top, distal-end, and left-side perspective view showing the suppressor heat shield assembly in assembled form;

FIG. 3 is a top, proximal-end, and right-side perspective view thereof;

FIG. 4 is a distal-end elevational view thereof;

FIG. 5 is a proximal-end elevational view thereof;

FIG. 6 is a left-side elevational view thereof, and of which the right-side is a mirror image;

FIG. 7 is a top plan view thereof;

FIG. 8 is a bottom plan view thereof;

FIG. 9 is a top, distal-end, and left-side perspective detailed view of the heat sink portion of the suppressor heat shield assembly shown in the FIG. 1 exploded view, shown separate and enlarged for clarity of illustration;

FIG. 10 is a top, proximal-end, and right-side perspective view thereof;

FIG. 11 is a distal-end elevational view thereof;

FIG. 12 is a proximal-end elevational view thereof;

FIG. 13 is a left-side elevational view thereof, and of which the right-side is a mirror image;

FIG. 14 is a top plan view thereof;

FIG. 15 is a bottom plan view thereof;

FIG. 16 is a top, distal-end, and left-side perspective detailed view of the outer shield portion of the suppressor heat shield assembly shown in the FIG. 1 exploded view, shown separate and enlarged for clarity of illustration;

FIG. 17 is a top, proximal-end, and right-side perspective view thereof;

FIG. 18 is a distal-end elevational view thereof;

FIG. 19 is a proximal-end elevational view thereof;

(Continued)

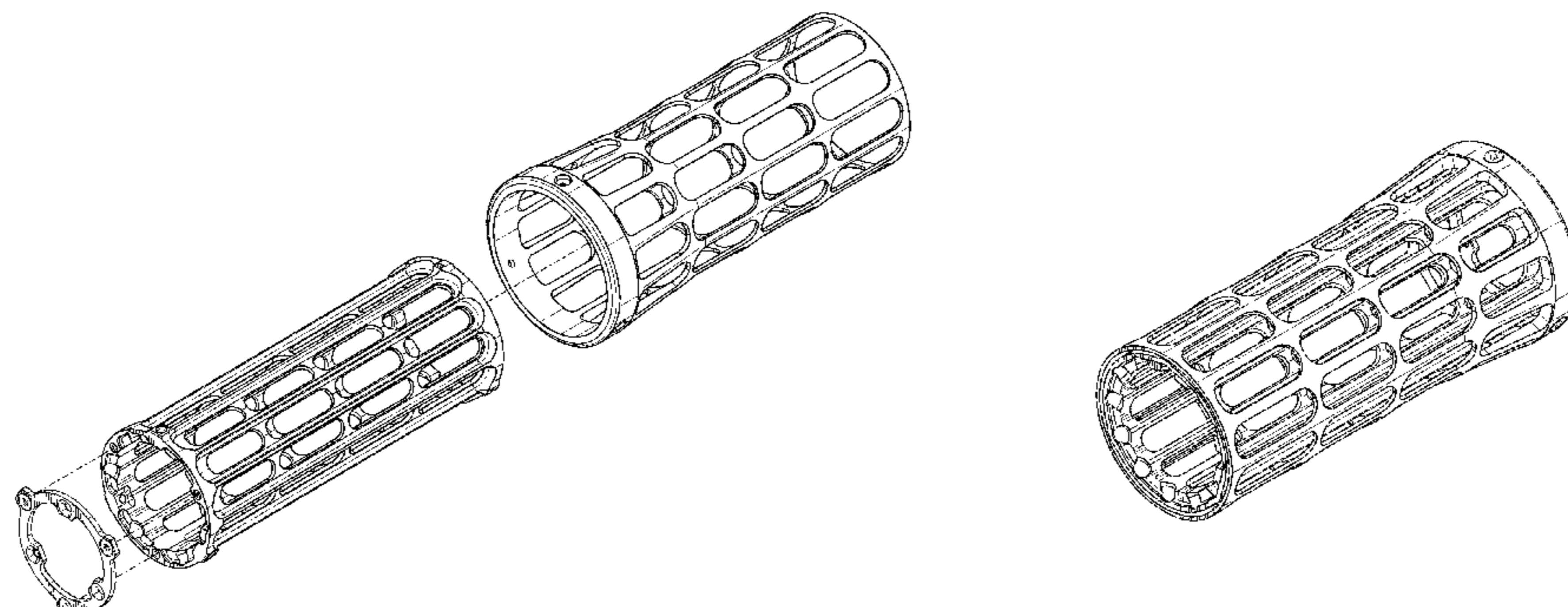


FIG. 20 is a left-side elevational view thereof, and of which the right-side is a mirror image;  
 FIG. 21 is a top plan view thereof;  
 FIG. 22 is a bottom plan view thereof;  
 FIG. 23 is a distal-end and left-side perspective detailed view of the mounting bracket portion of the suppressor heat shield assembly shown in the FIG. 1 exploded view, shown separate and enlarged for clarity of illustration;  
 FIG. 24 is a proximal-end and left-side perspective view thereof;  
 FIG. 25 is a distal-end elevational view thereof;  
 FIG. 26 is a proximal-end elevational view thereof;  
 FIG. 27 is a left-side elevational view thereof, and of which the right-side is a mirror image;  
 FIG. 28 is a top plan view thereof; and,  
 FIG. 29 is a bottom plan view thereof.  
 The broken lines showing the screw features in FIGS. 2-4 and 6-8 are included for the purpose of illustrating environmental structure and form no part of the claimed design.

**1 Claim, 11 Drawing Sheets**

(58) **Field of Classification Search**

CPC ..... F41A 21/487; F41A 13/00; F41A 13/10;  
 F41A 13/12

See application file for complete search history.

(56) **References Cited**

U.S. PATENT DOCUMENTS

6,343,536	B1 *	2/2002	Rossier .....	F41A 5/02 89/129.01
D559,923	S *	1/2008	Broersma .....	D21/573
7,587,969	B2 *	9/2009	Silvers .....	F41A 21/30 181/223
D623,717	S *	9/2010	Saur .....	D22/108
D636,453	S *	4/2011	Fitzpatrick .....	D22/108

D651,680	S *	1/2012	DeGroat .....	D22/108
D685,874	S *	7/2013	Andrews, Jr. ....	D22/108
D692,516	S *	10/2013	Yan .....	D22/108
D702,982	S *	4/2014	DeMaria .....	D7/301
D709,140	S *	7/2014	Coulter .....	D21/573
8,807,005	B2	8/2014	Moss et al.	
9,102,010	B2 *	8/2015	Wilson .....	F41A 21/30
9,103,610	B2 *	8/2015	Wilcox .....	F41A 5/18
9,103,618	B2 *	8/2015	Daniel .....	F41A 21/325
9,140,511	B2	9/2015	Michal et al.	
D767,706	S *	9/2016	Shults .....	D22/108
D776,226	S *	1/2017	Green .....	D22/108
D816,794	S *	5/2018	Geissele .....	D22/108
D829,845	S *	10/2018	Oglesby .....	D22/108
D837,922	S *	1/2019	McDonald .....	D22/108
D839,375	S *	1/2019	James .....	D22/108
10,254,060	B2 *	4/2019	Hoon .....	F41A 9/52
2013/0340313	A1 *	12/2013	Myers .....	F41A 21/30 42/90
2014/0082990	A1 *	3/2014	Lee .....	F41A 21/24 42/96
2015/0308778	A1 *	10/2015	Vossler .....	F41A 21/36 89/14.3
2016/0278561	A1 *	9/2016	Chan .....	A47J 19/02
2017/0153080	A1	6/2017	Roberts et al.	
2018/0142975	A1 *	5/2018	Hoon .....	F41A 9/52
2018/0172383	A1 *	6/2018	James .....	F41A 21/30
2018/0292164	A1 *	10/2018	Thompson .....	F41A 21/325
2019/0093974	A1 *	3/2019	Smith .....	F41A 21/325

OTHER PUBLICATIONS

VMAC .45ACP Fake Suppressor W. Heat Shield, posted at AtlanticFirearms, posting date not available. Site visited Mar. 6, 2019. URL: <<https://www.atlanticfirearms.com/products/mac-45acp-fake-suppressor-and-heat-shield>>.\*  
 IA-SC9-Integral CZ Scorpion, posted at Innovative Arms Silencers, copyright 2015. Site visited Mar. 6, 2019. URL: <<https://www.innovativearms.com/portfolio/scor-integral-cz-scorpion/>> (Year: 2015).\*  
 Mills-Brown, Joseph, et al. "Thermal and tensile properties of polysialate composites." *Ceramics International* 39 (2013): 8917-8924, 8 pgs.

\* cited by examiner

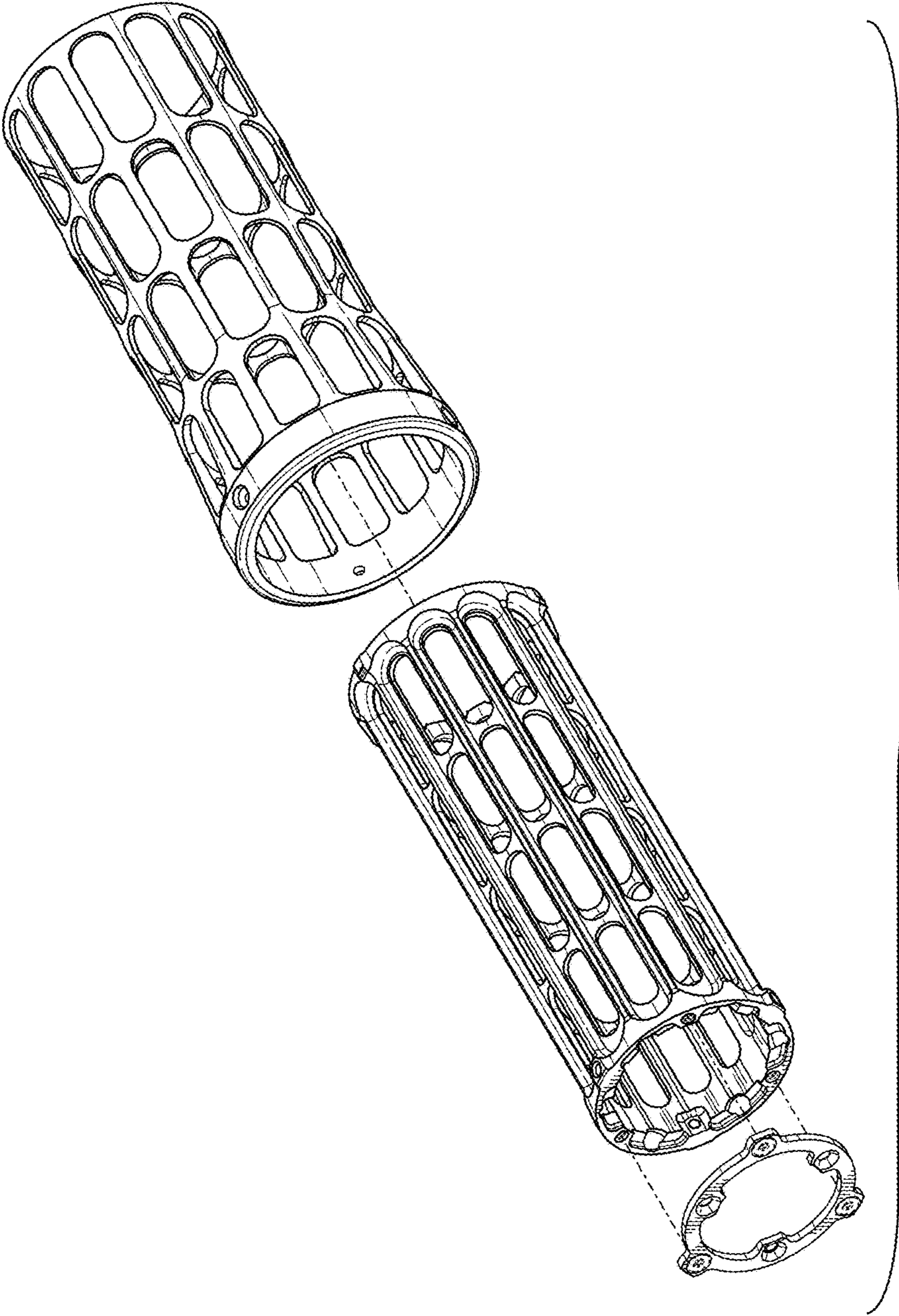


FIG. 1

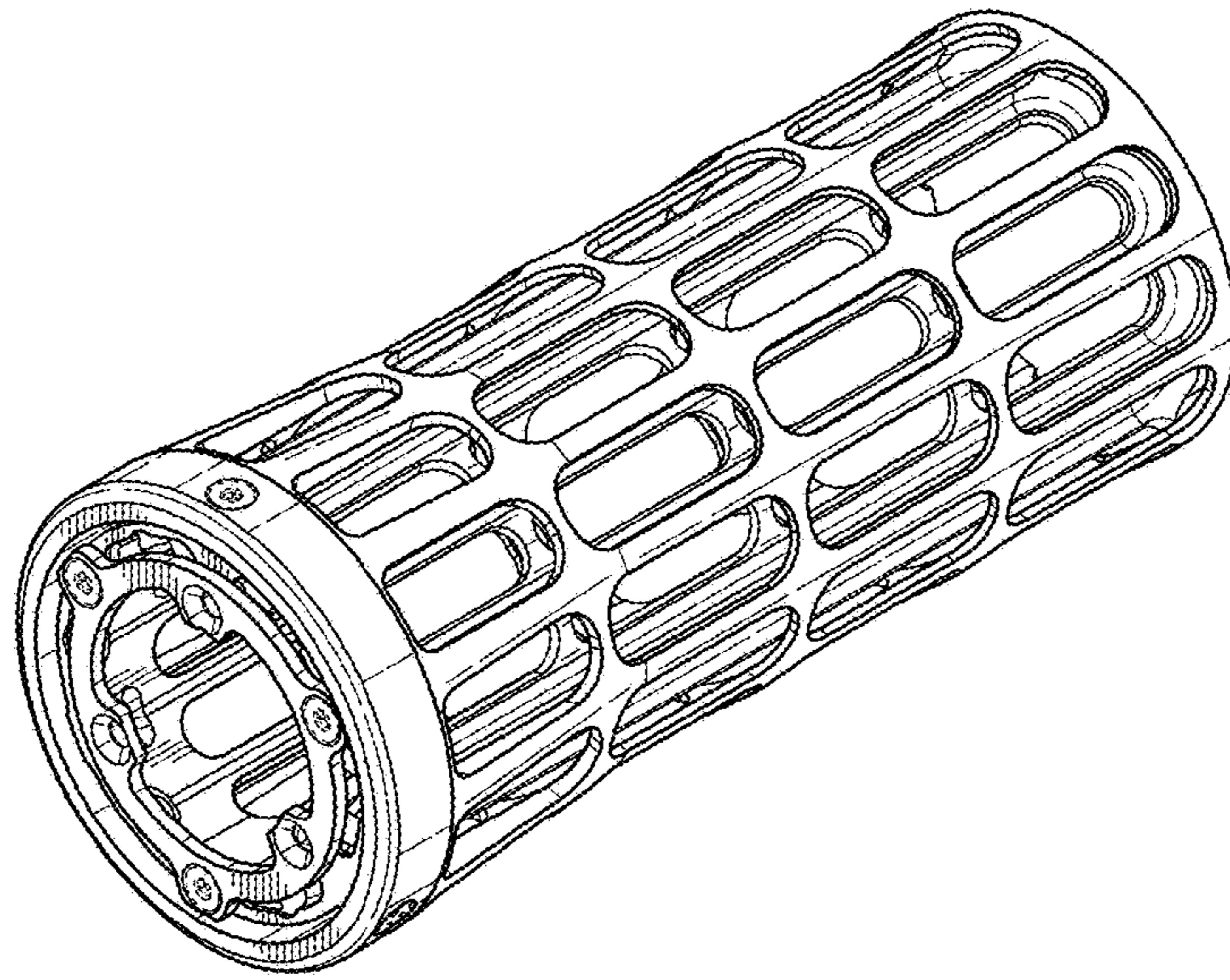


FIG. 2

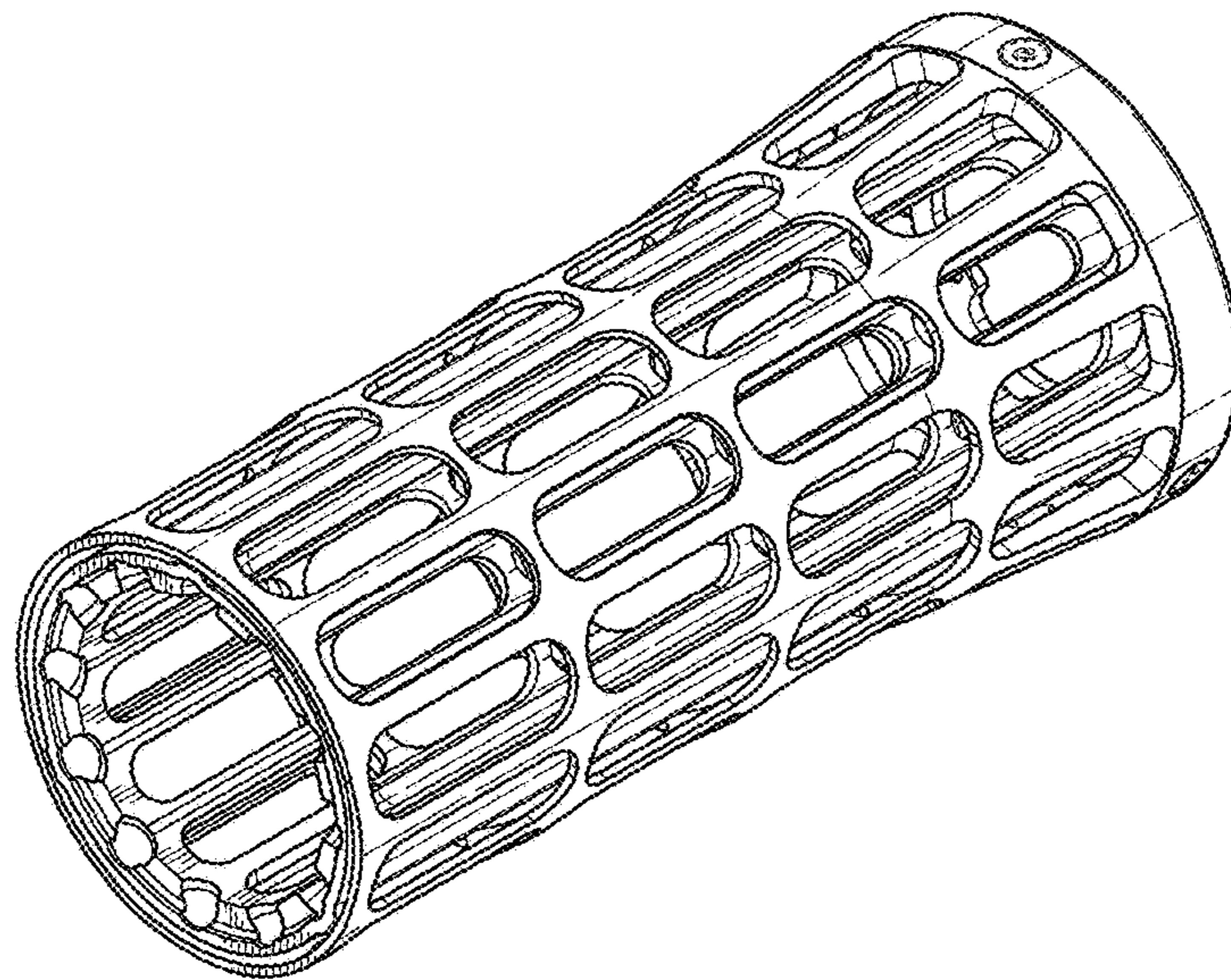


FIG. 3

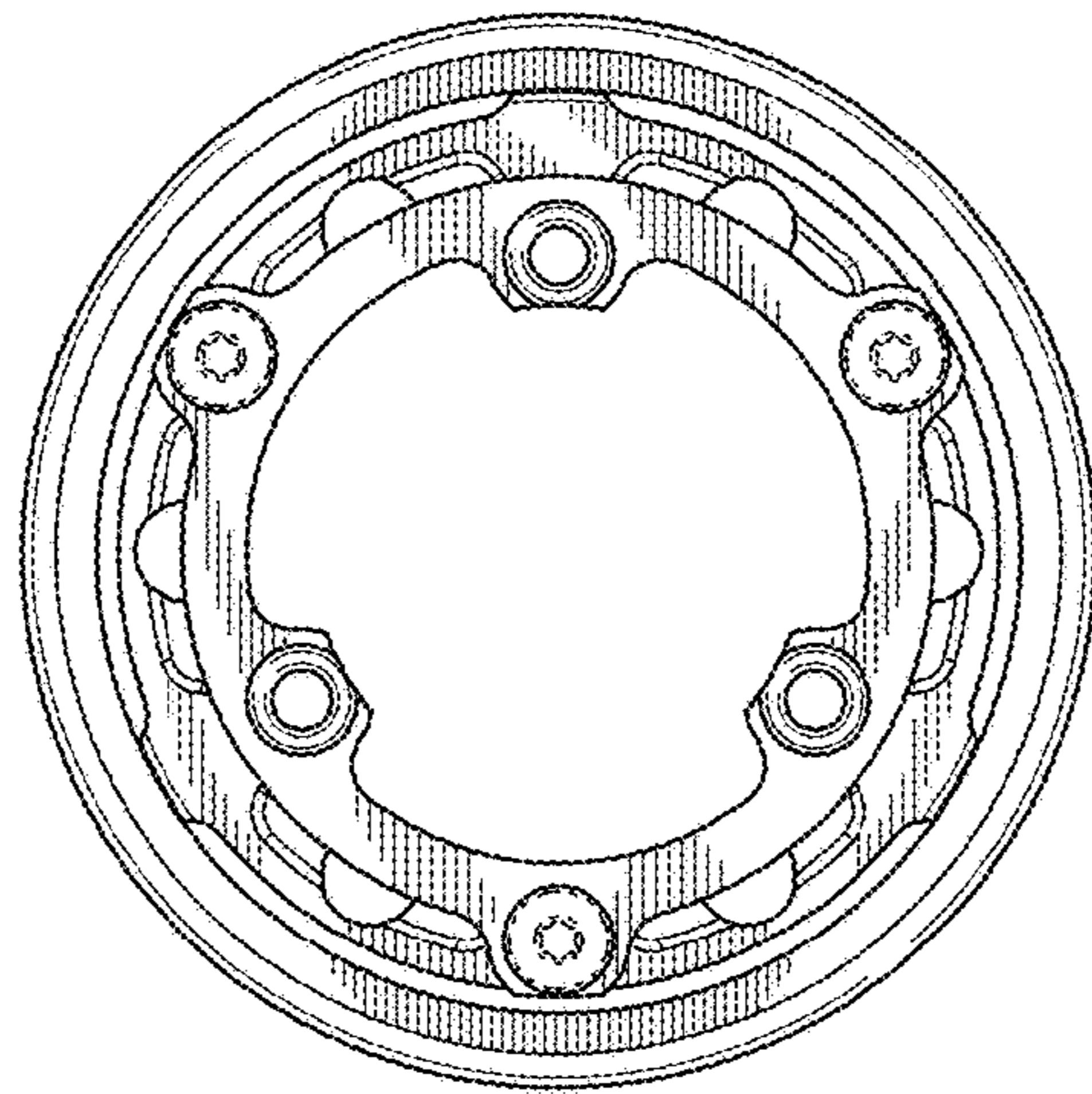


FIG. 4

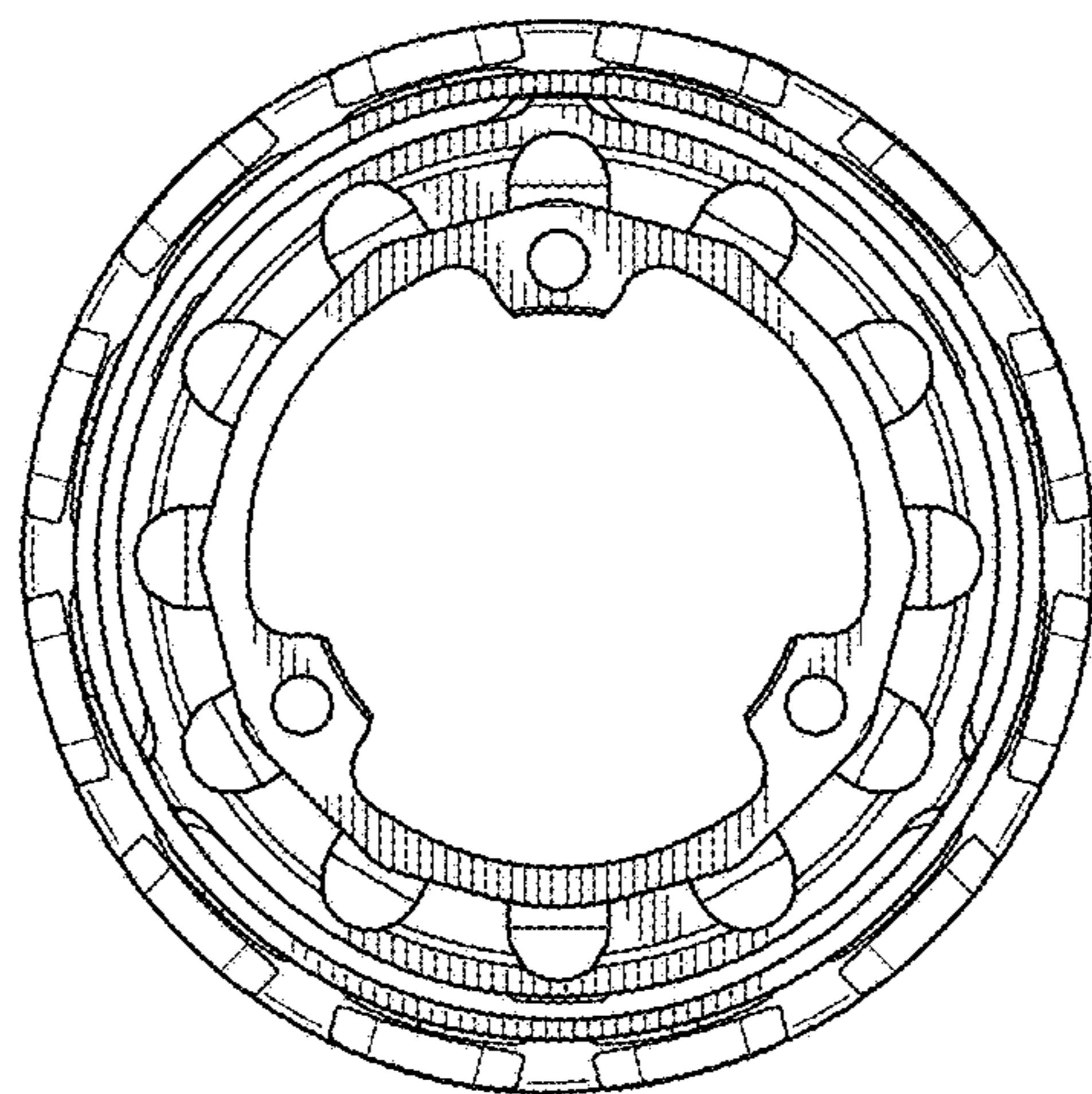


FIG. 5

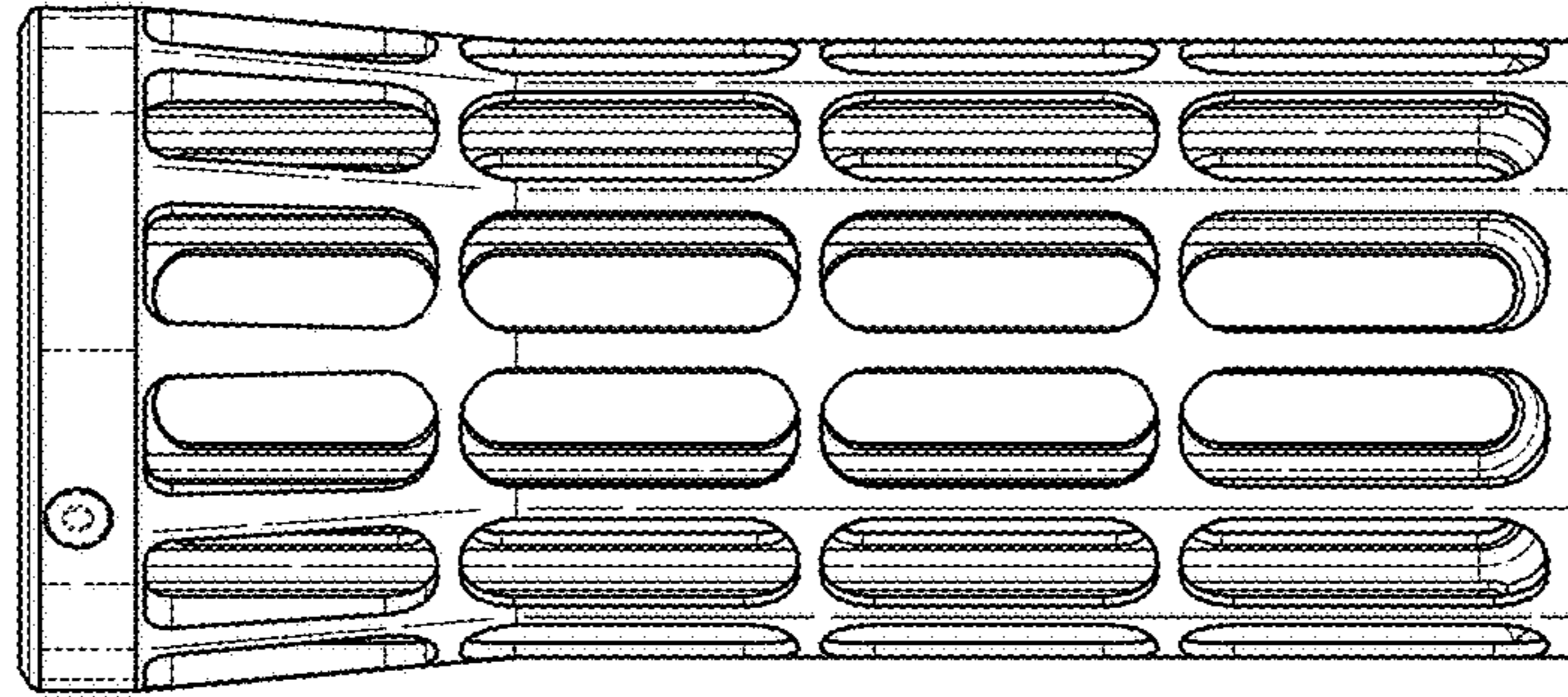


FIG. 6

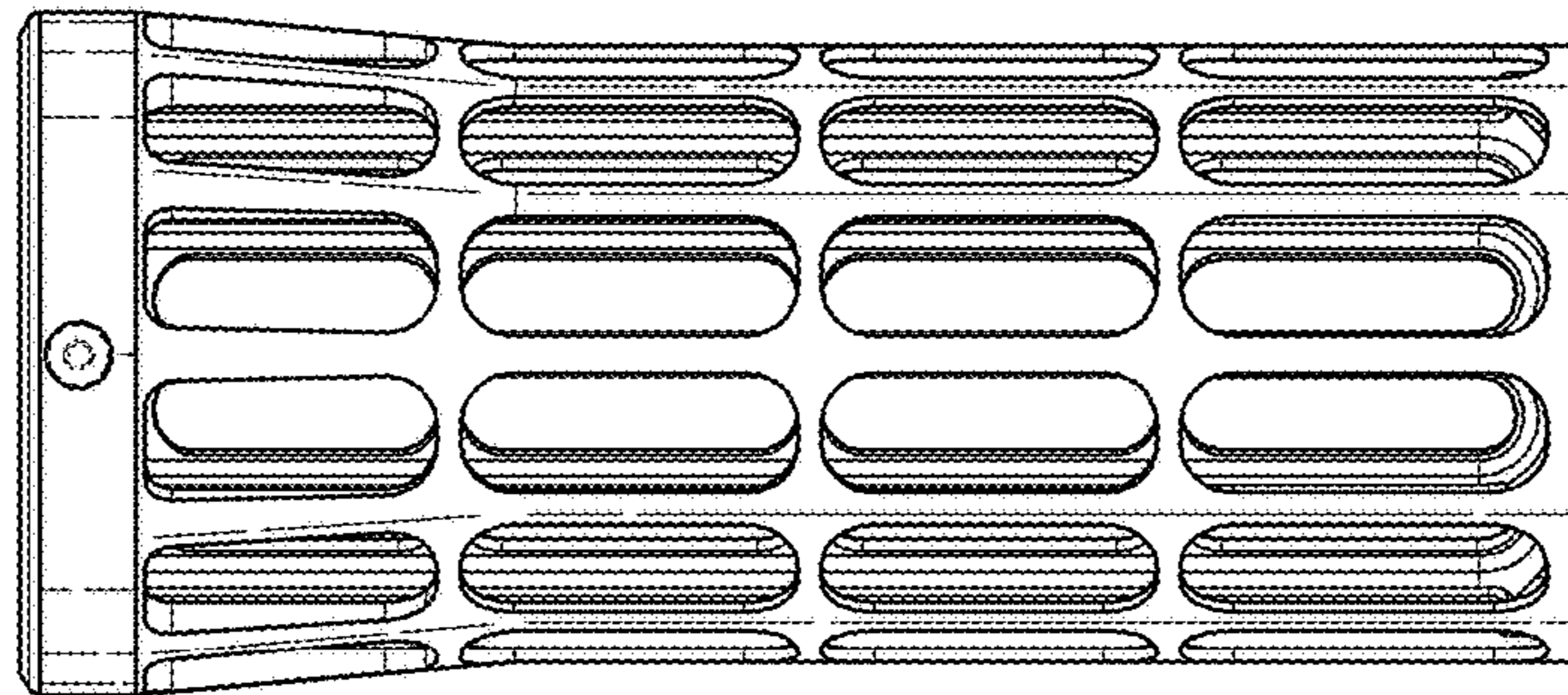


FIG. 7

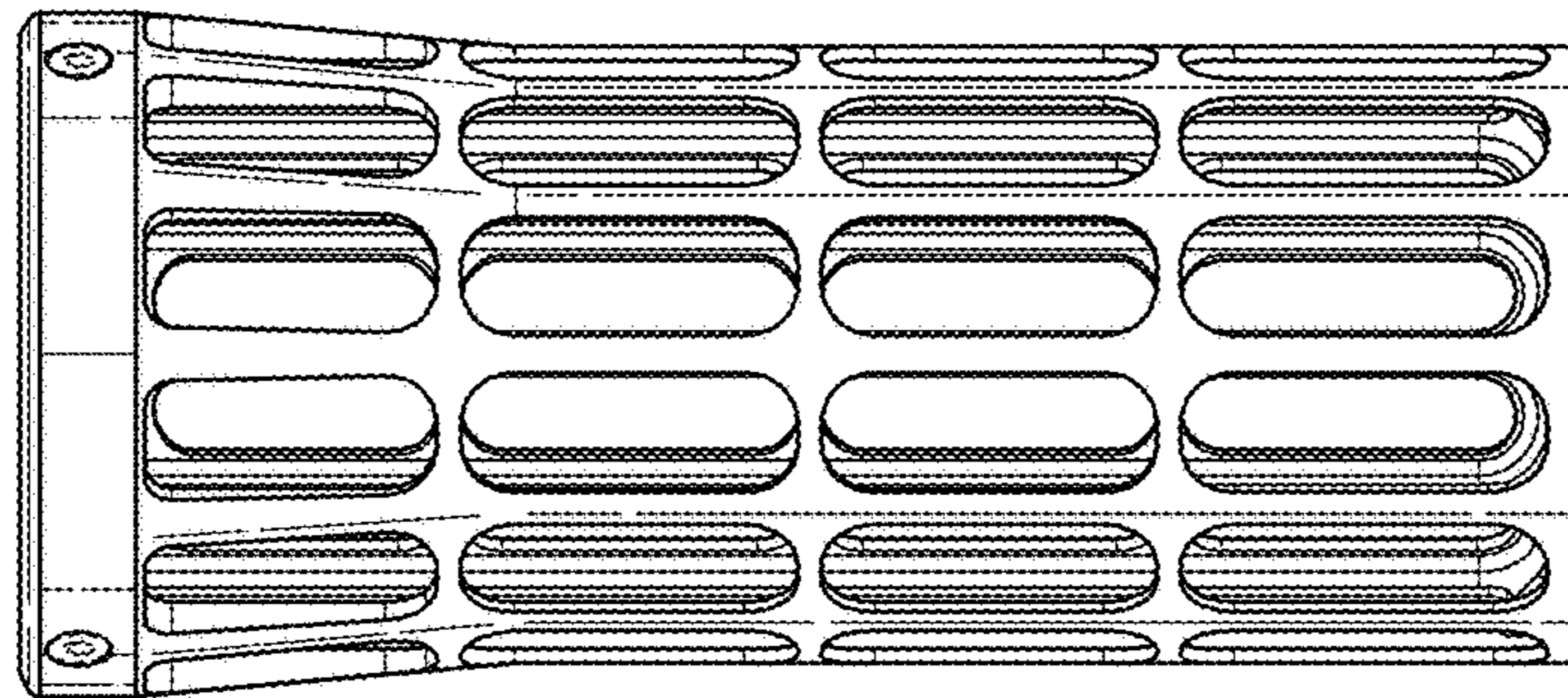


FIG. 8

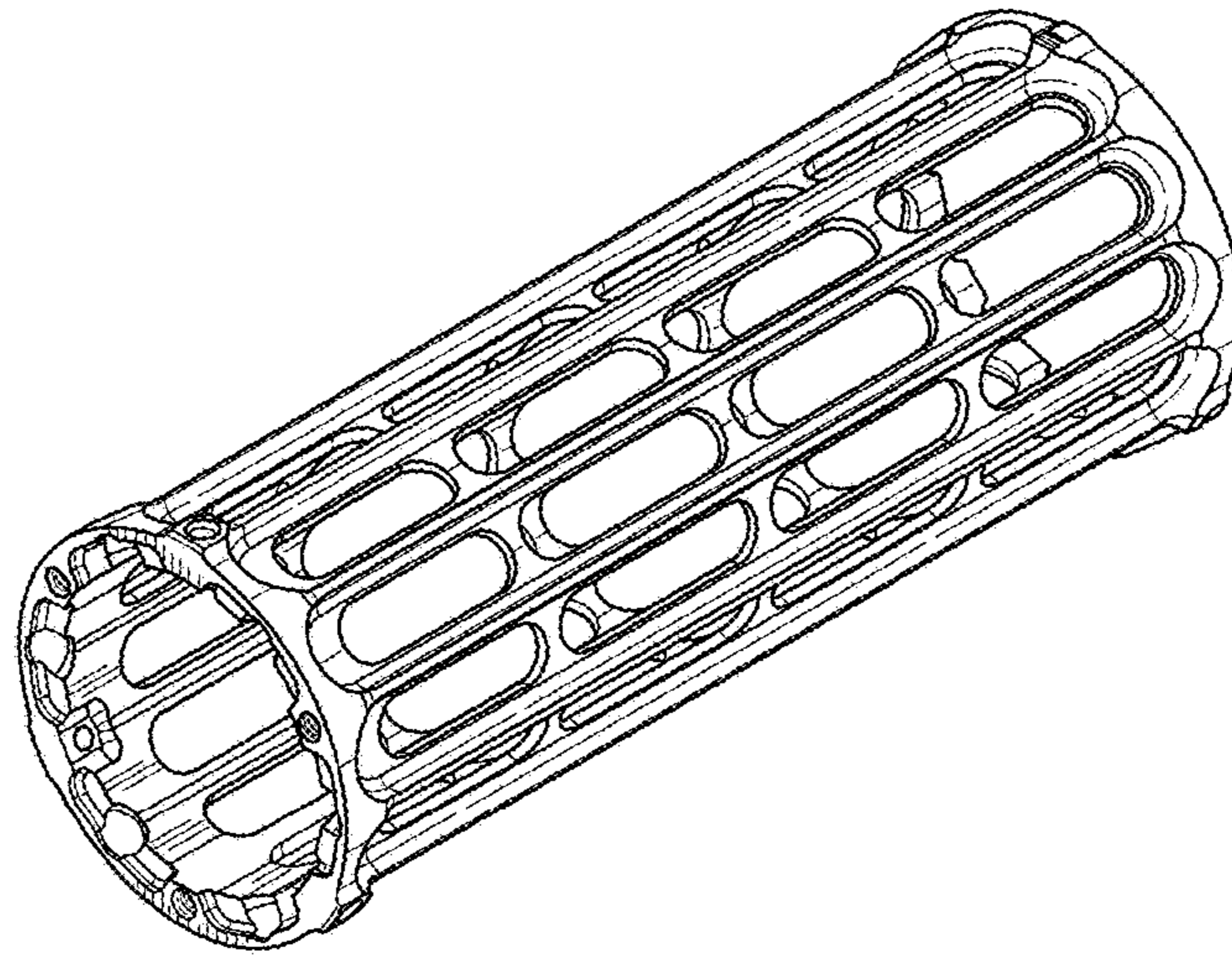


FIG. 9

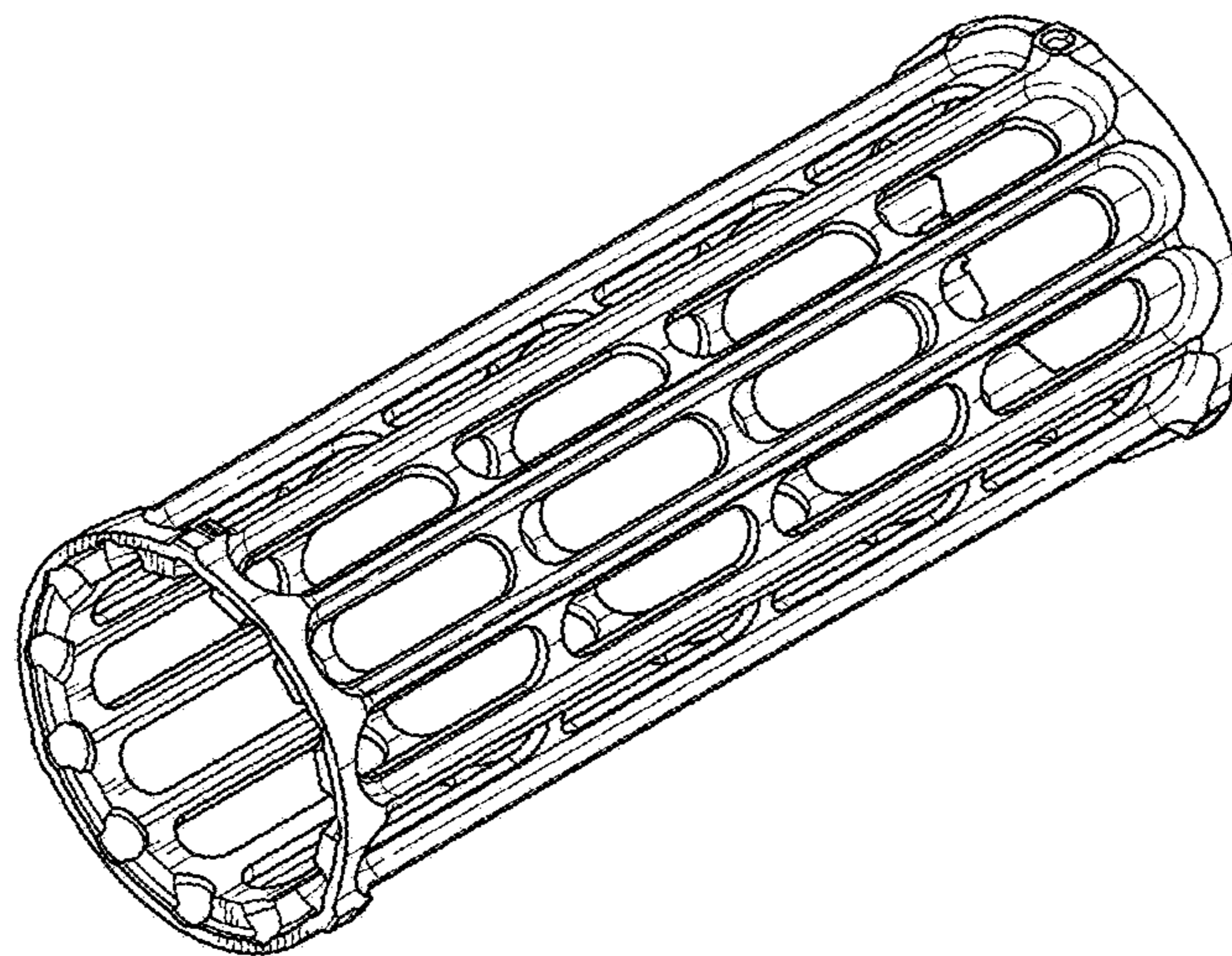


FIG. 10

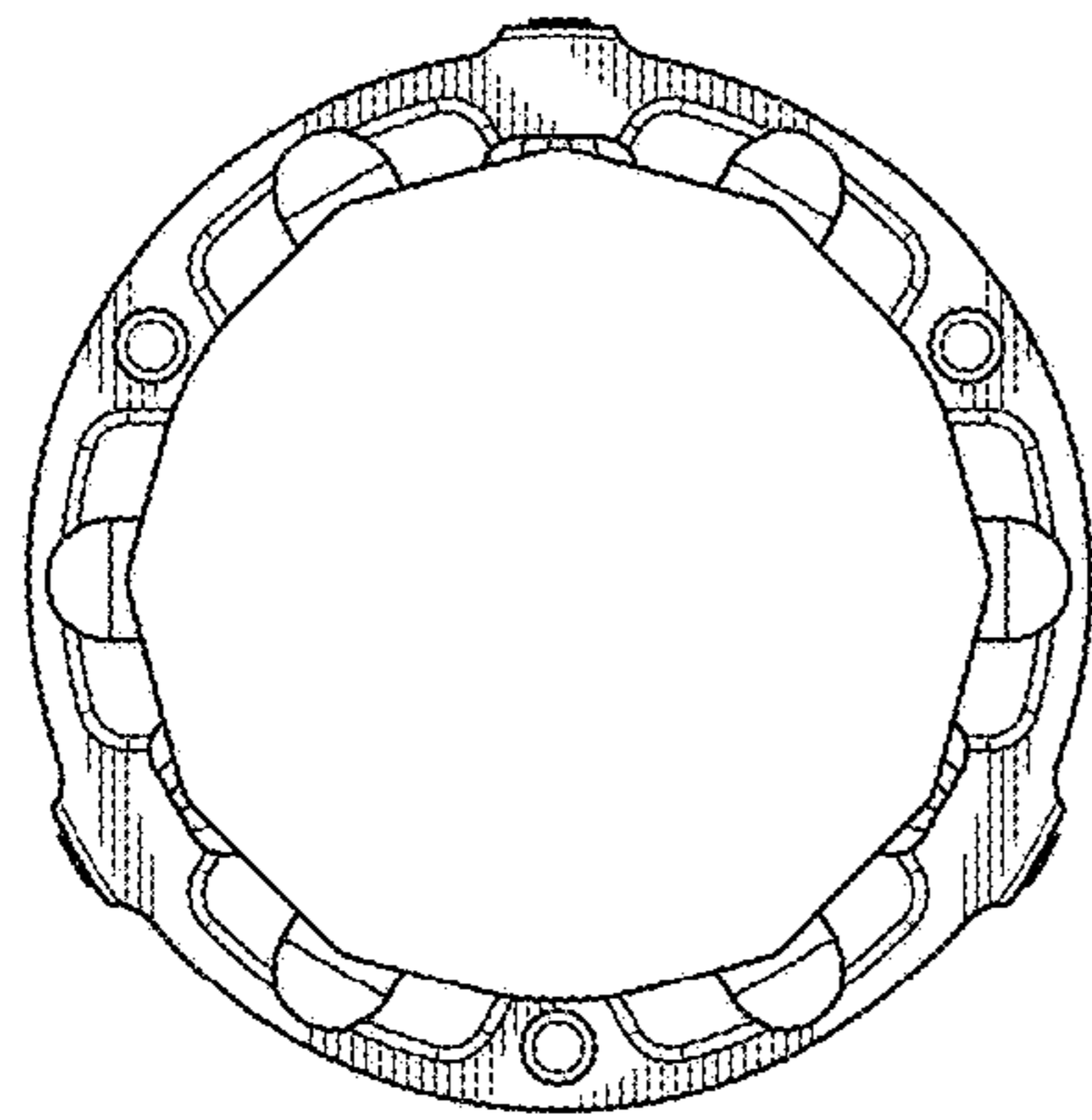


FIG. 11

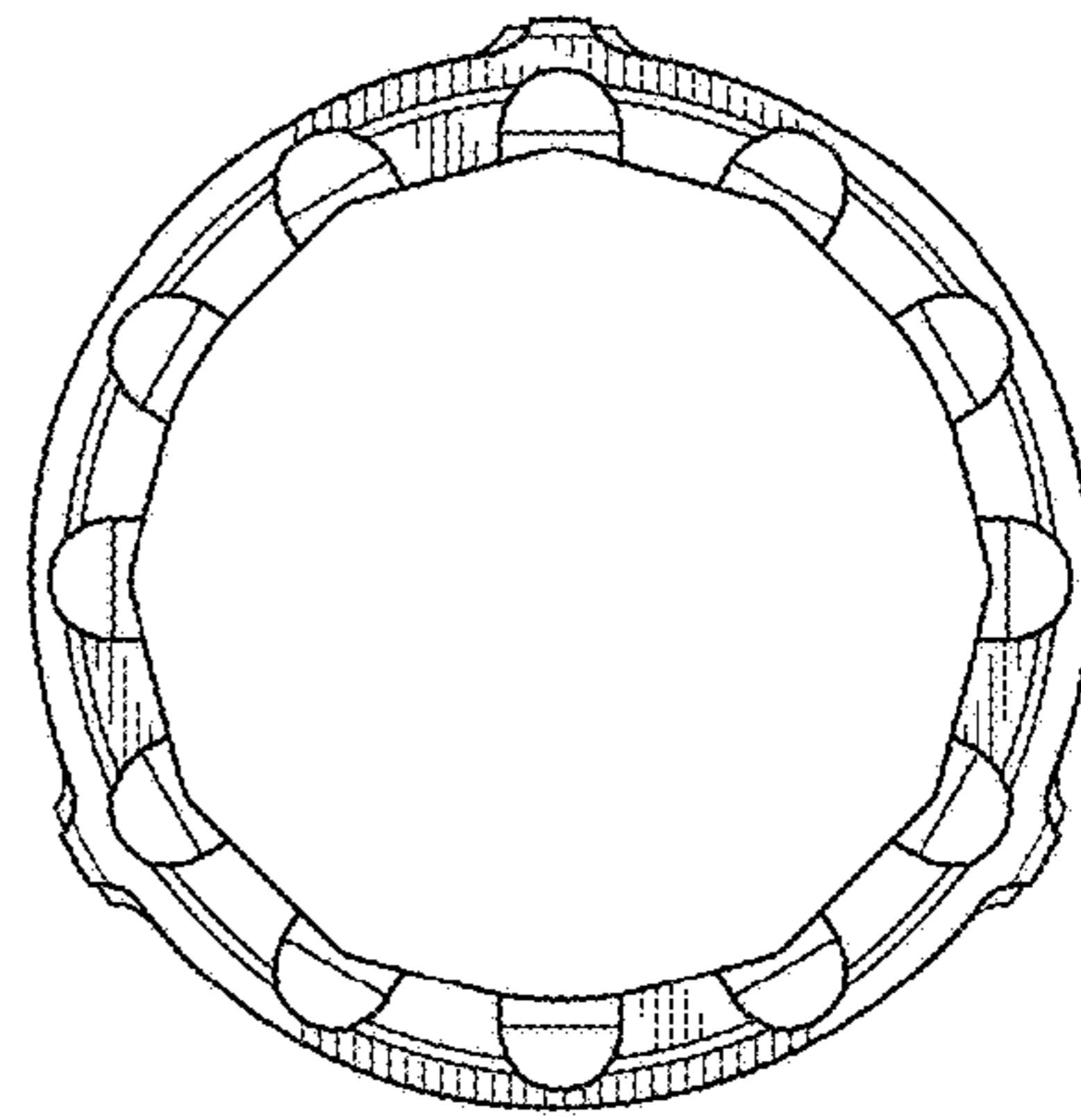


FIG. 12

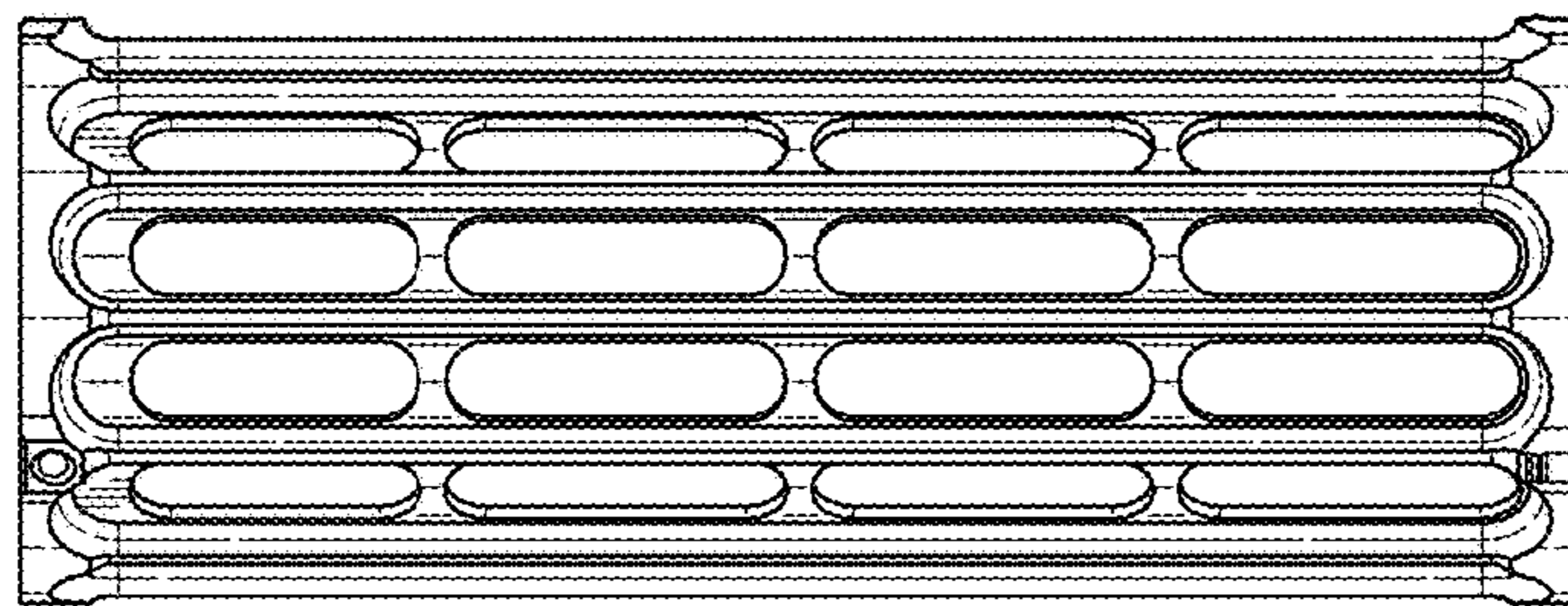


FIG. 13



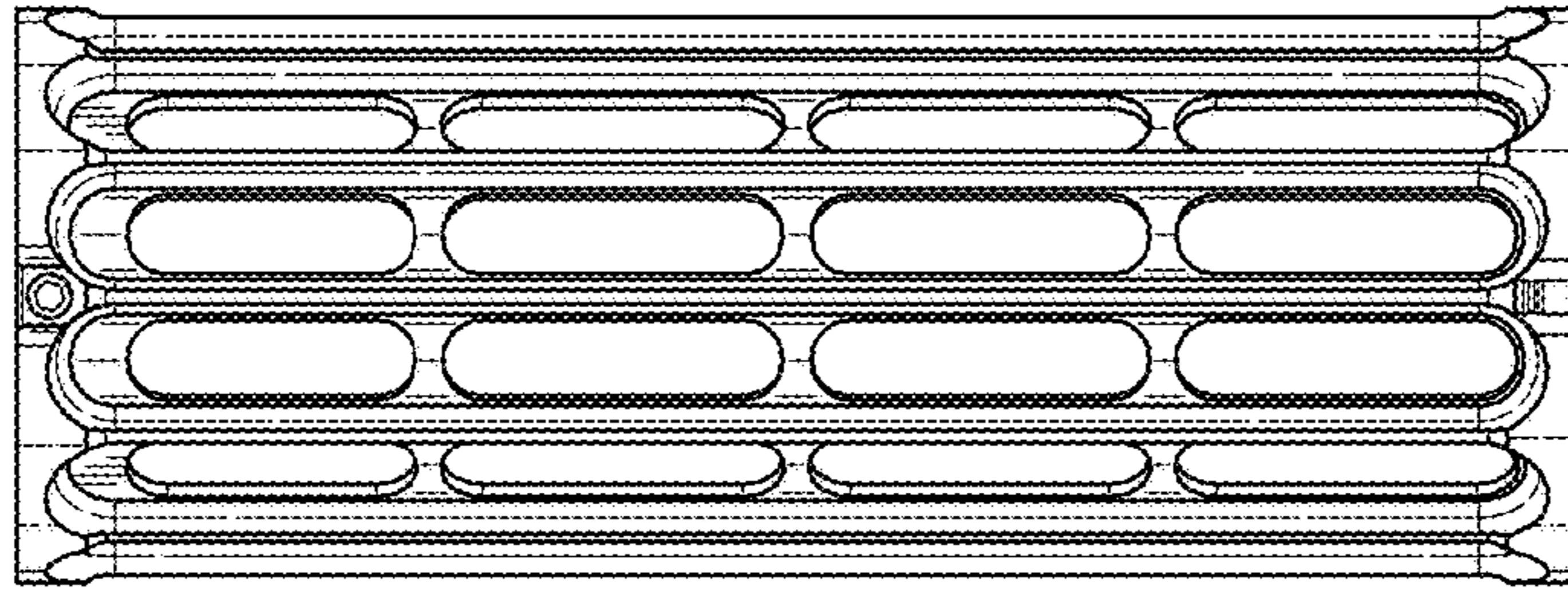


FIG. 14

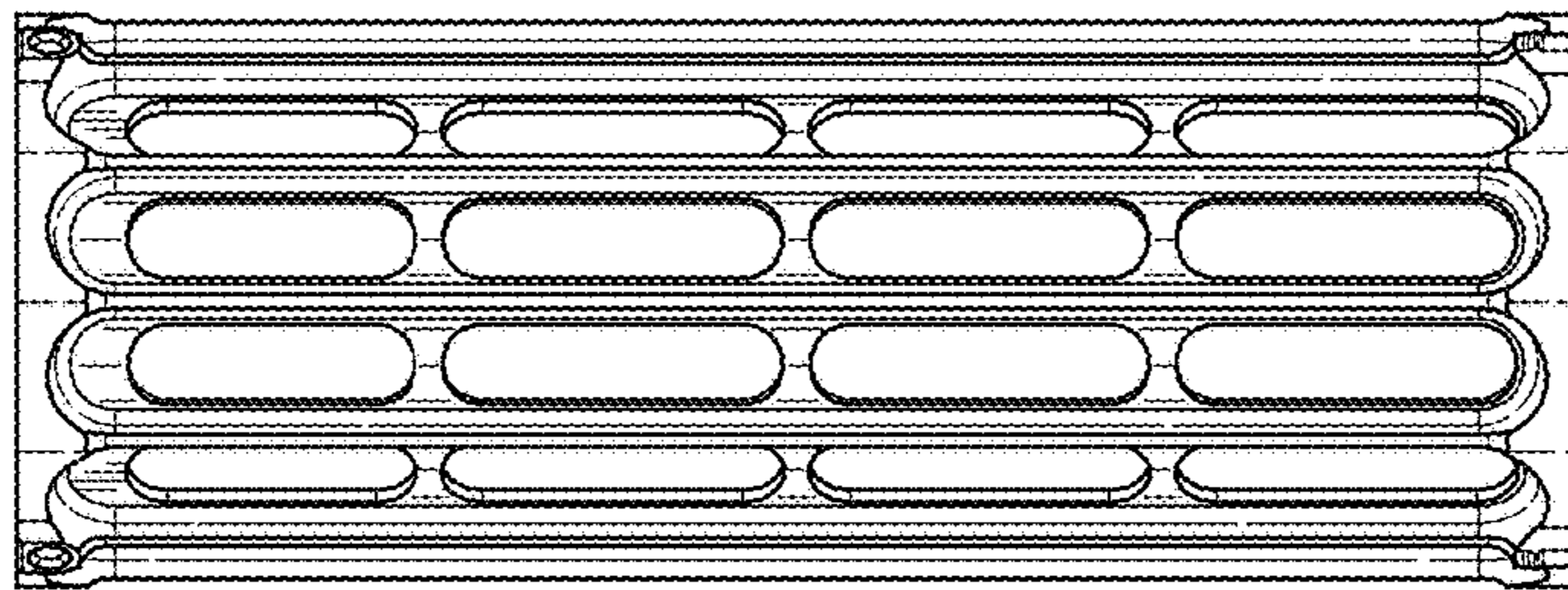


FIG. 15

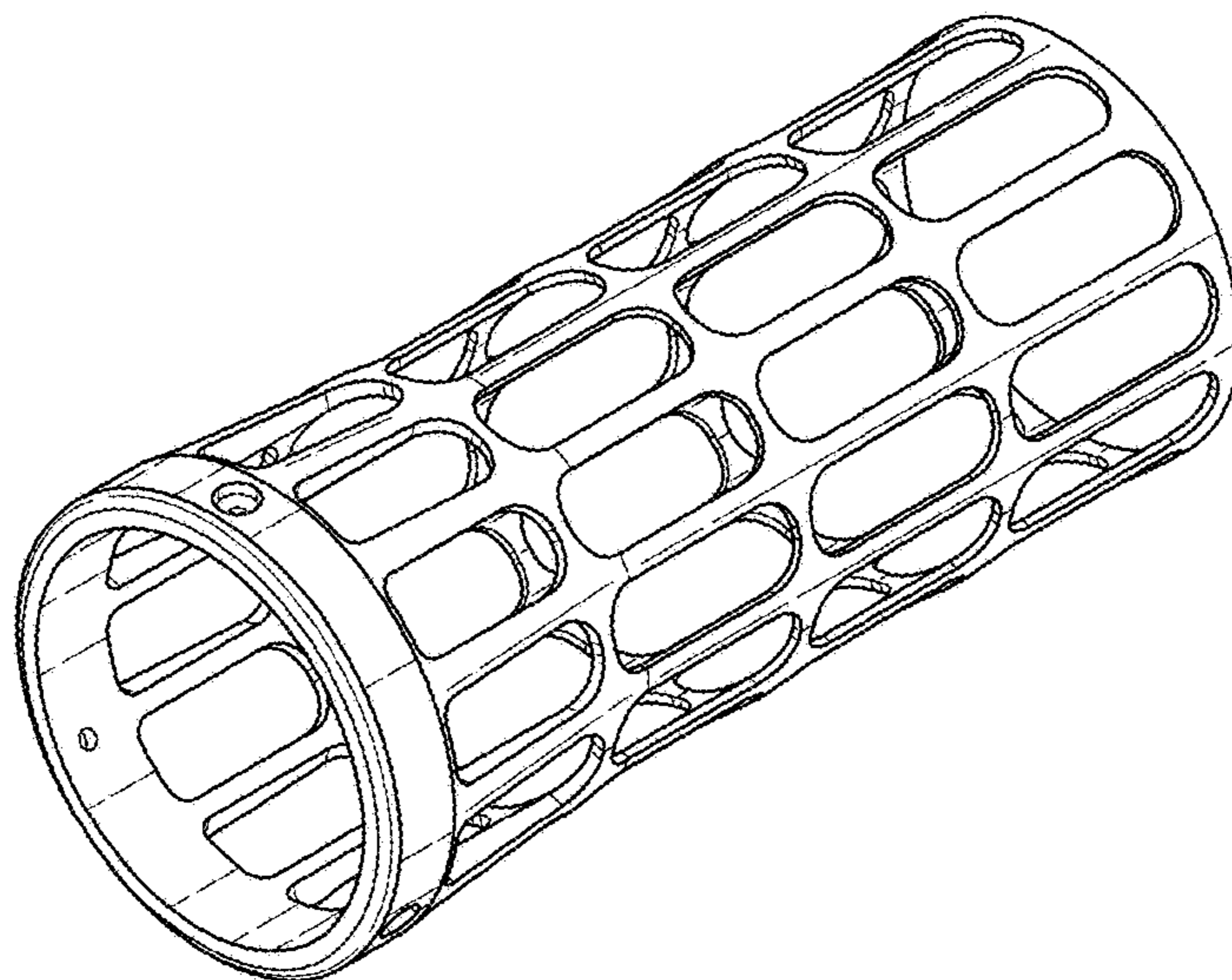


FIG. 16

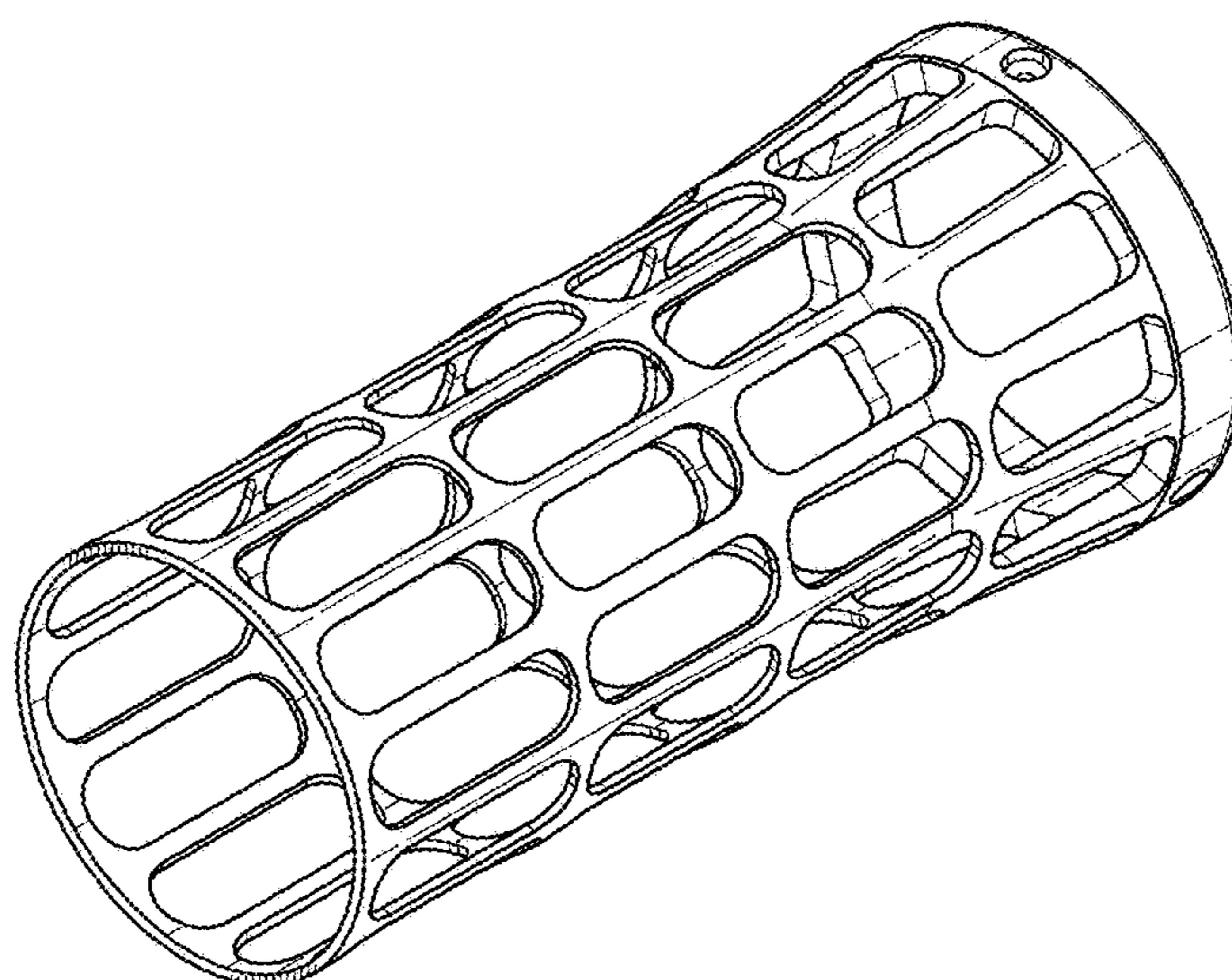


FIG. 17

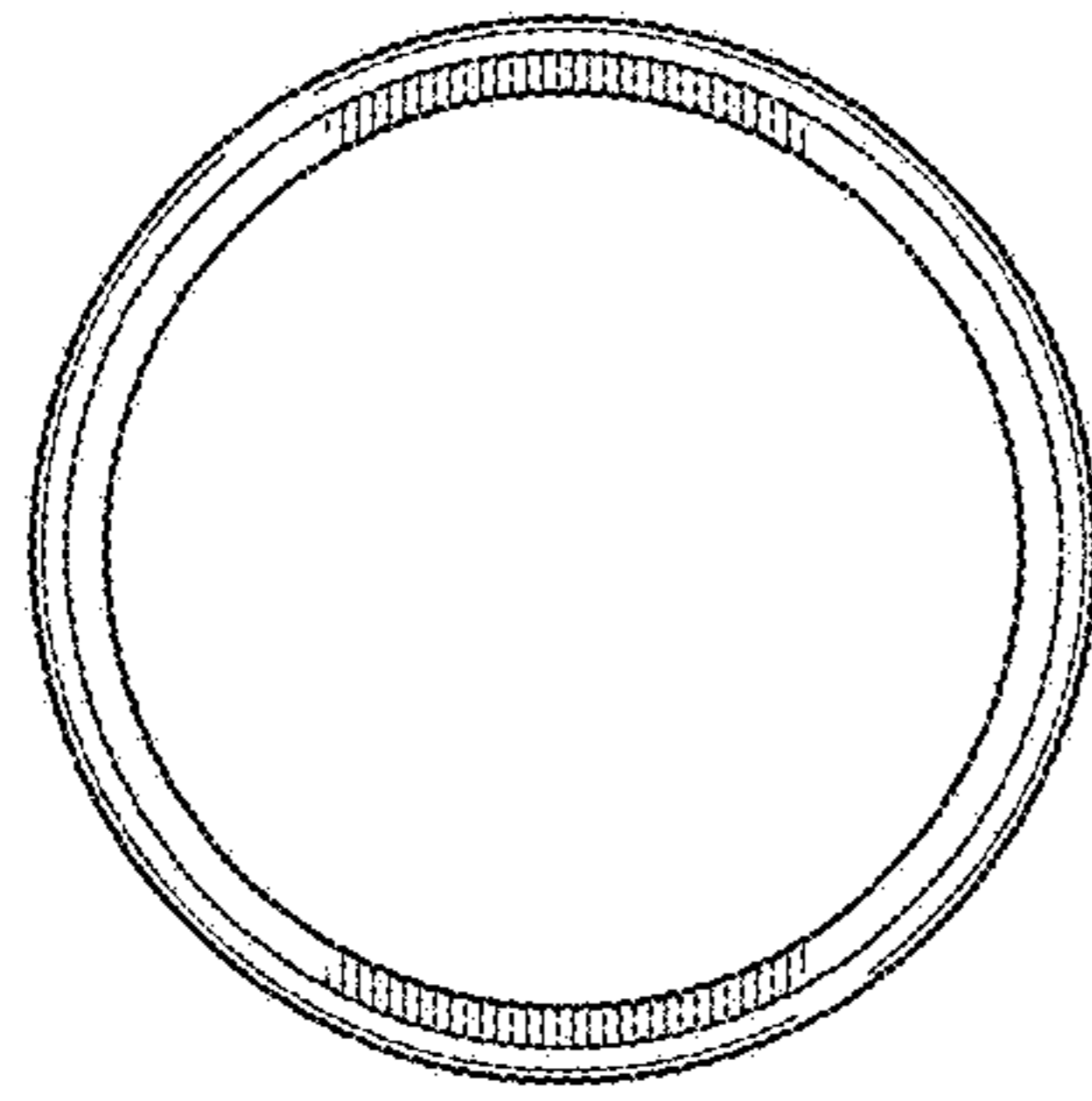


FIG. 18

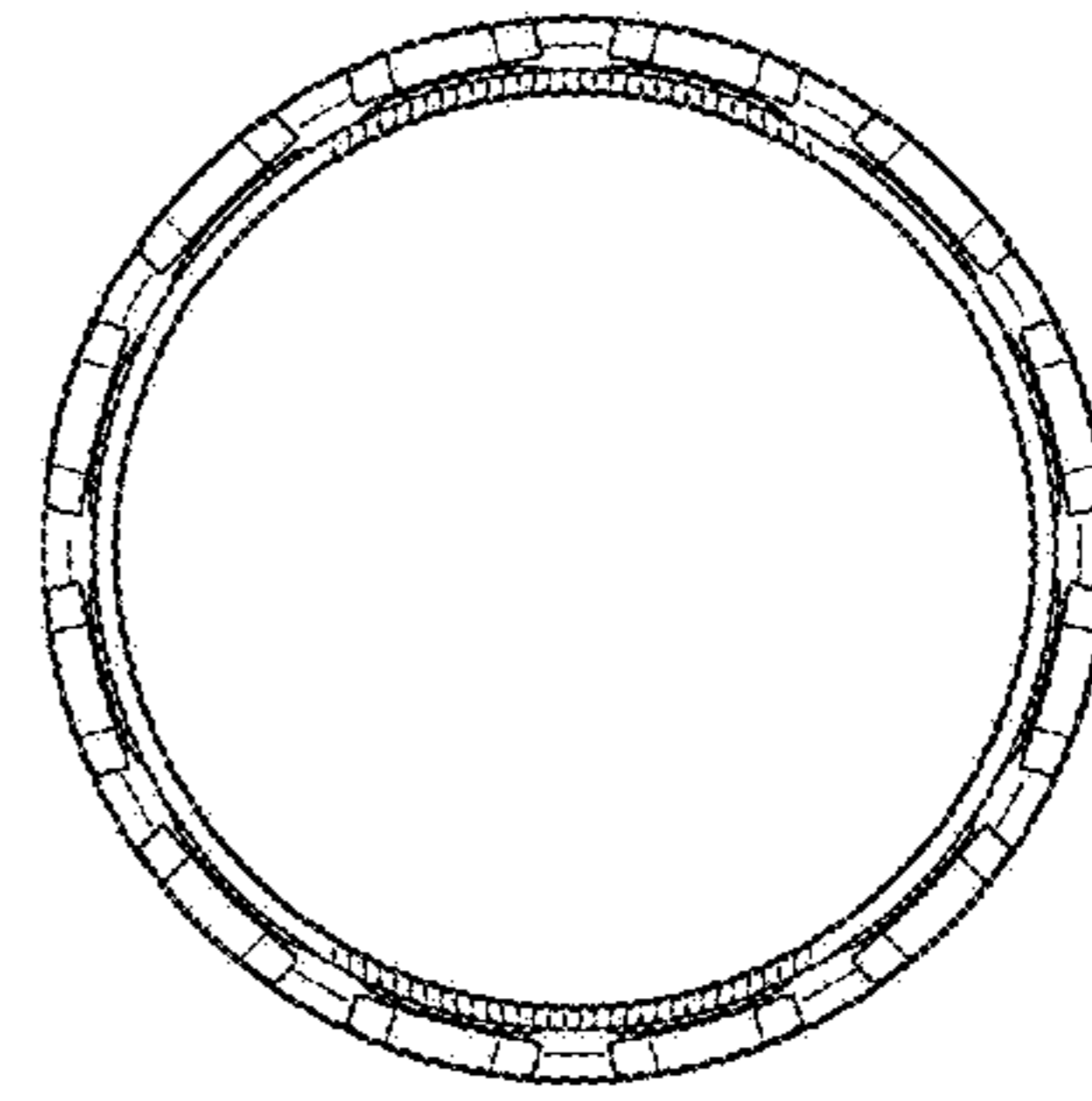


FIG. 19

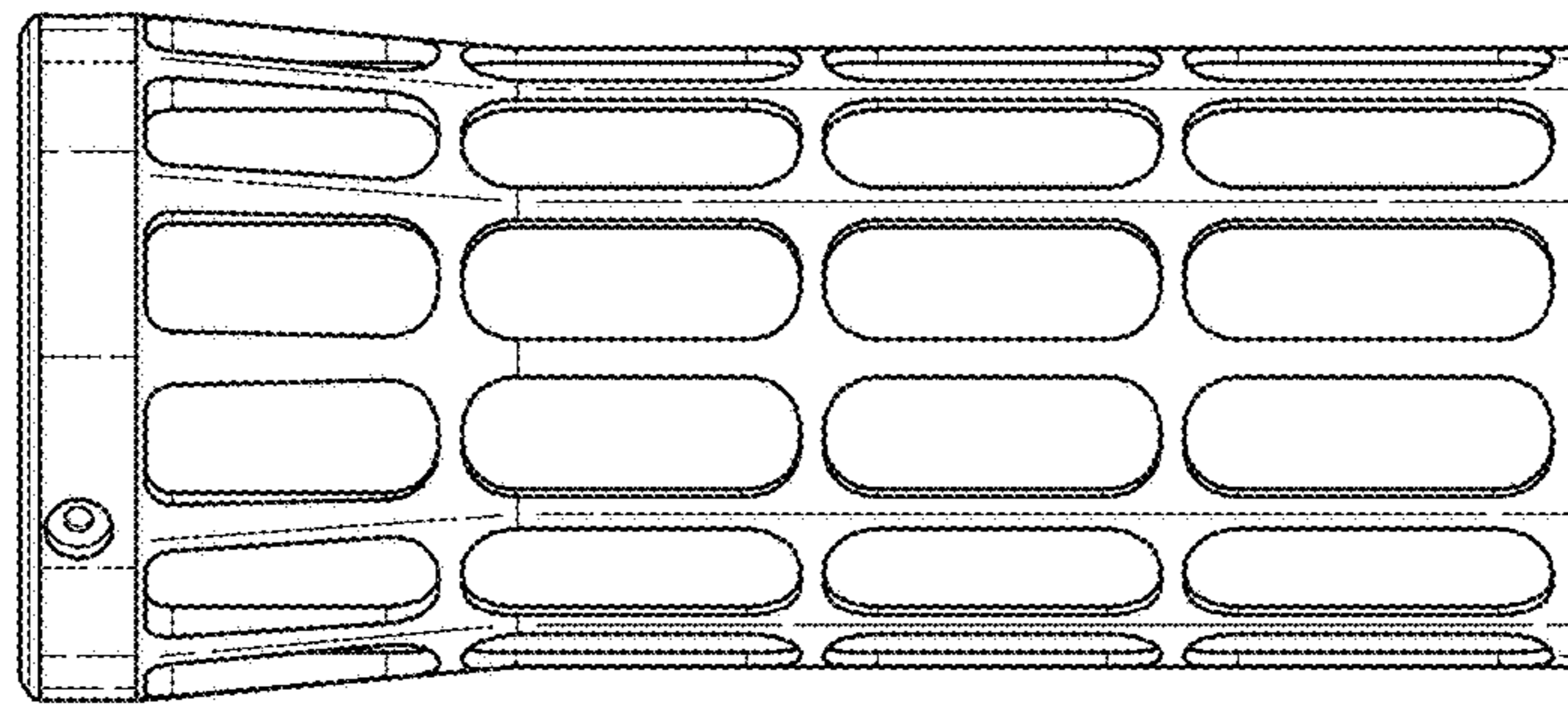


FIG. 20

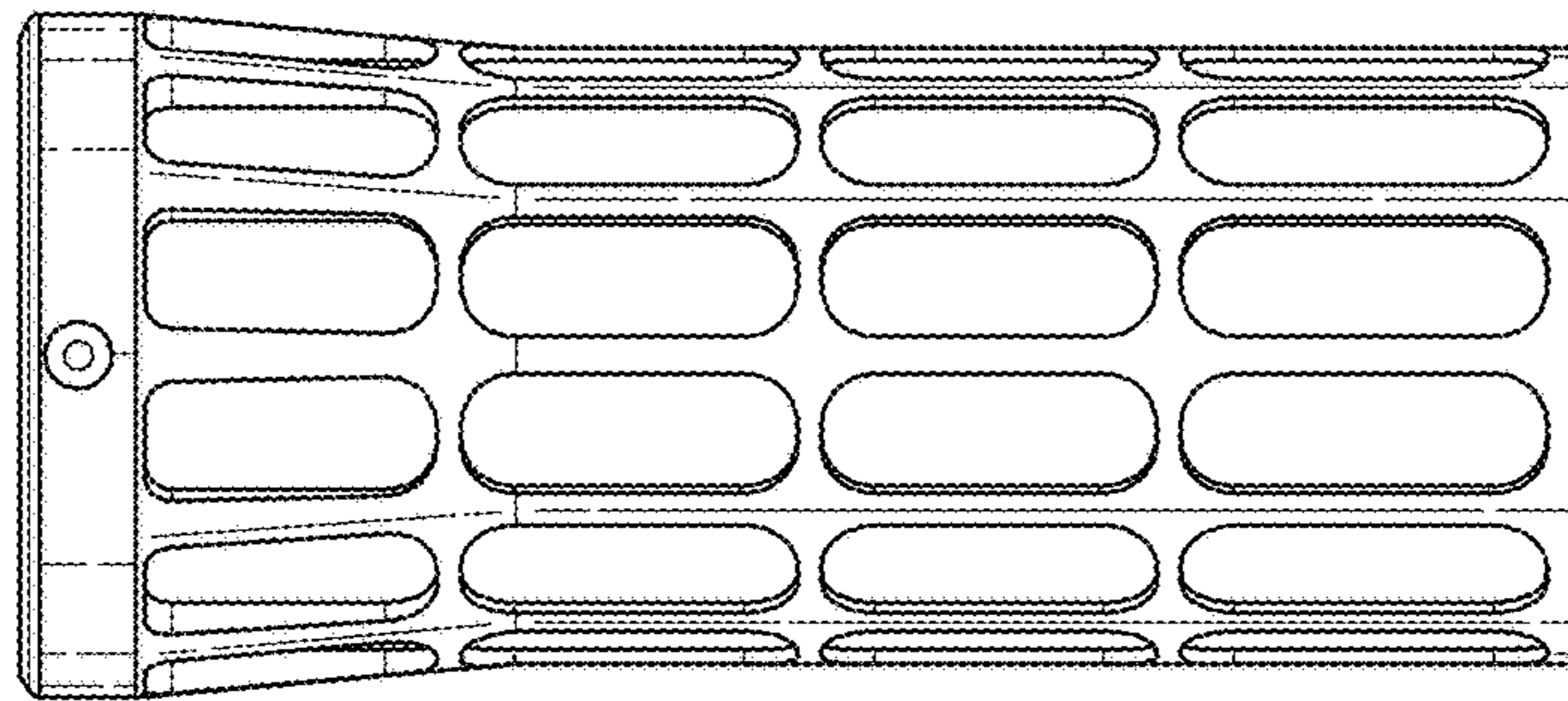


FIG. 21

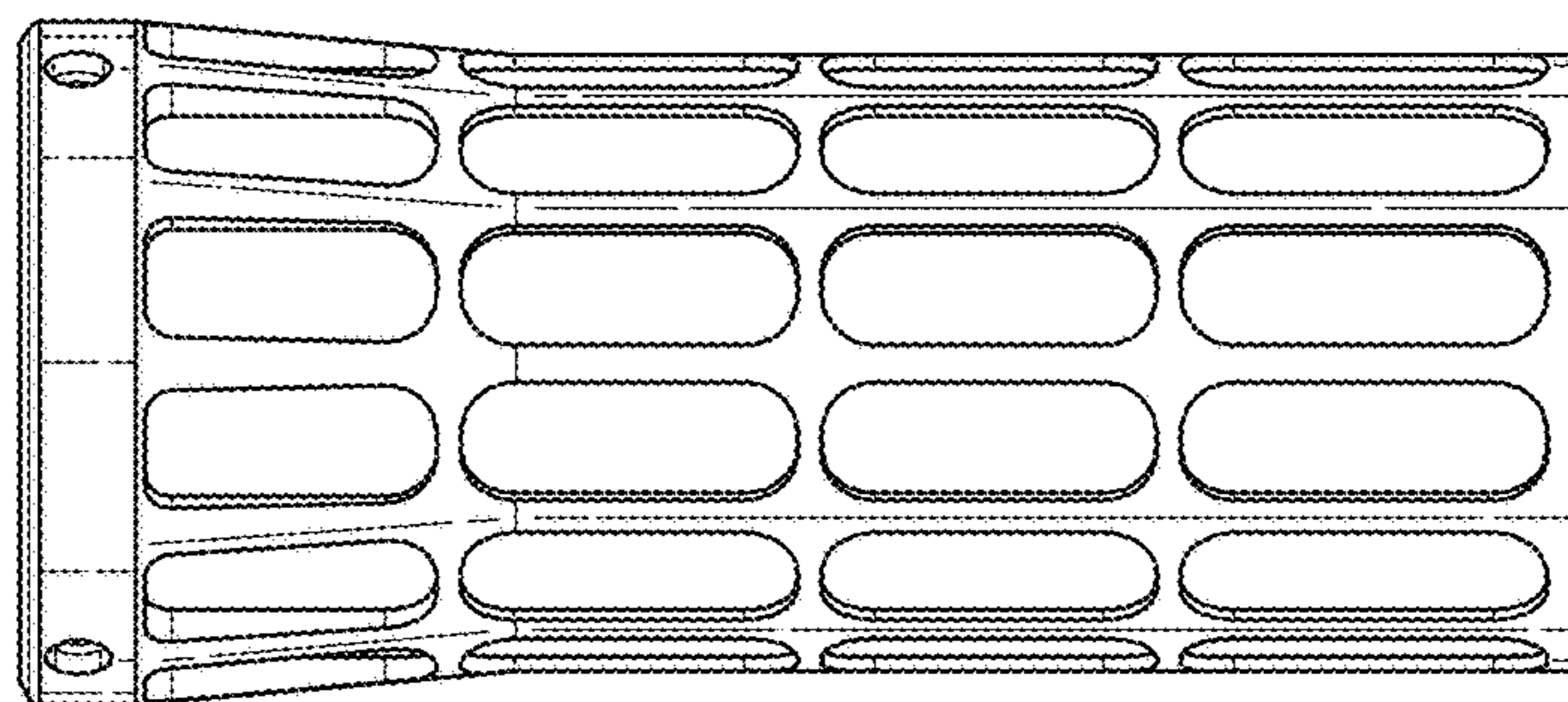


FIG. 22

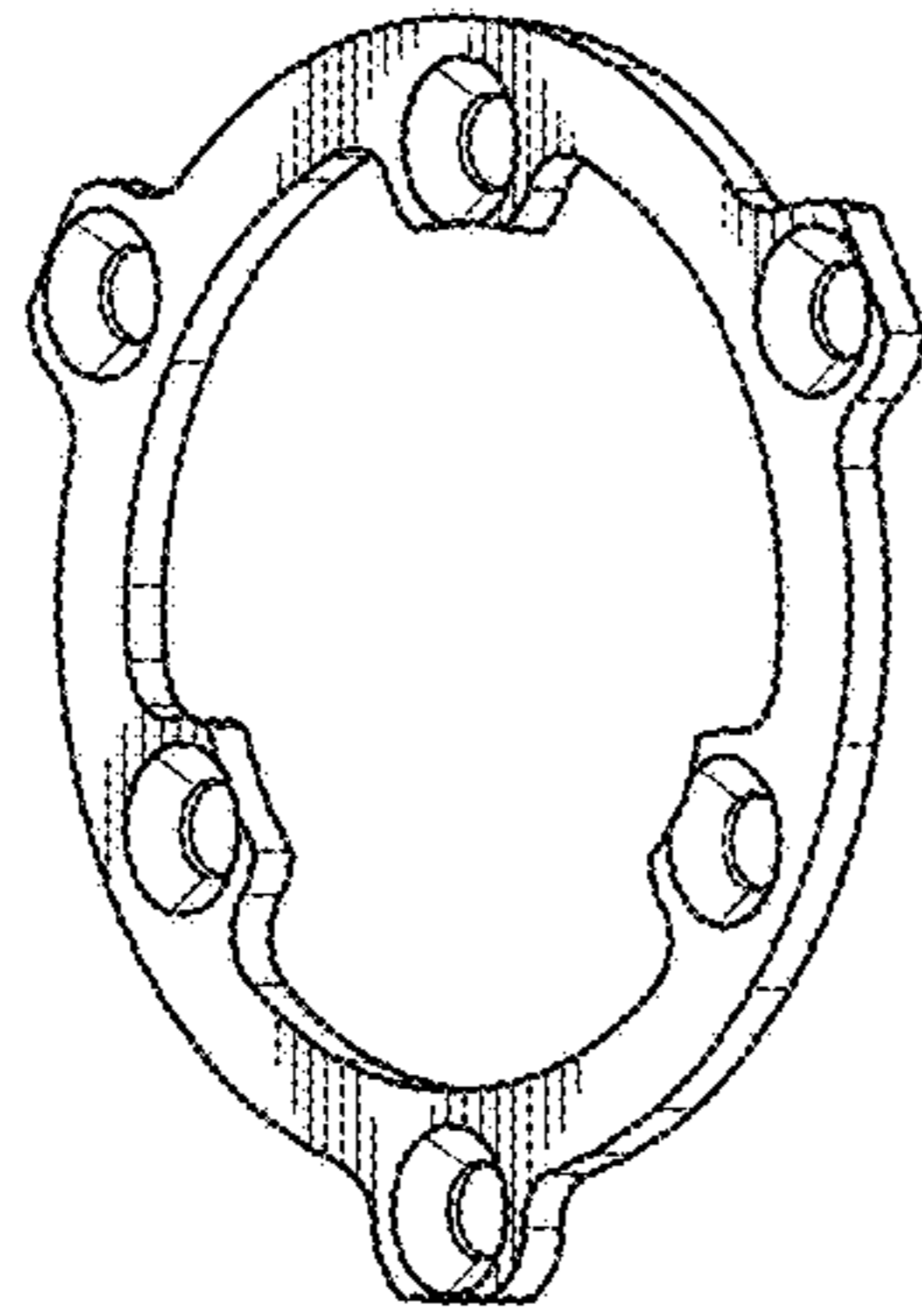


FIG. 23

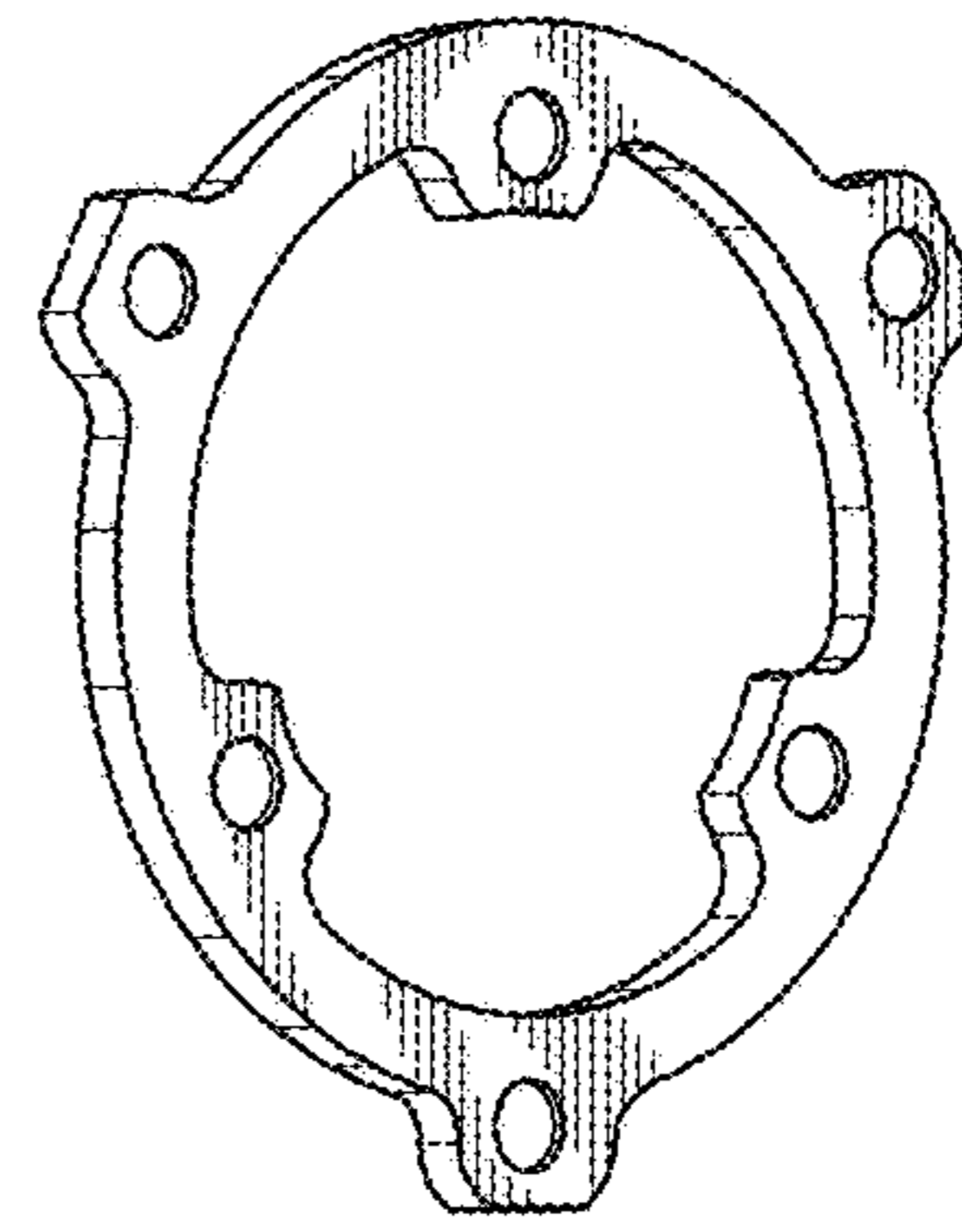


FIG. 24

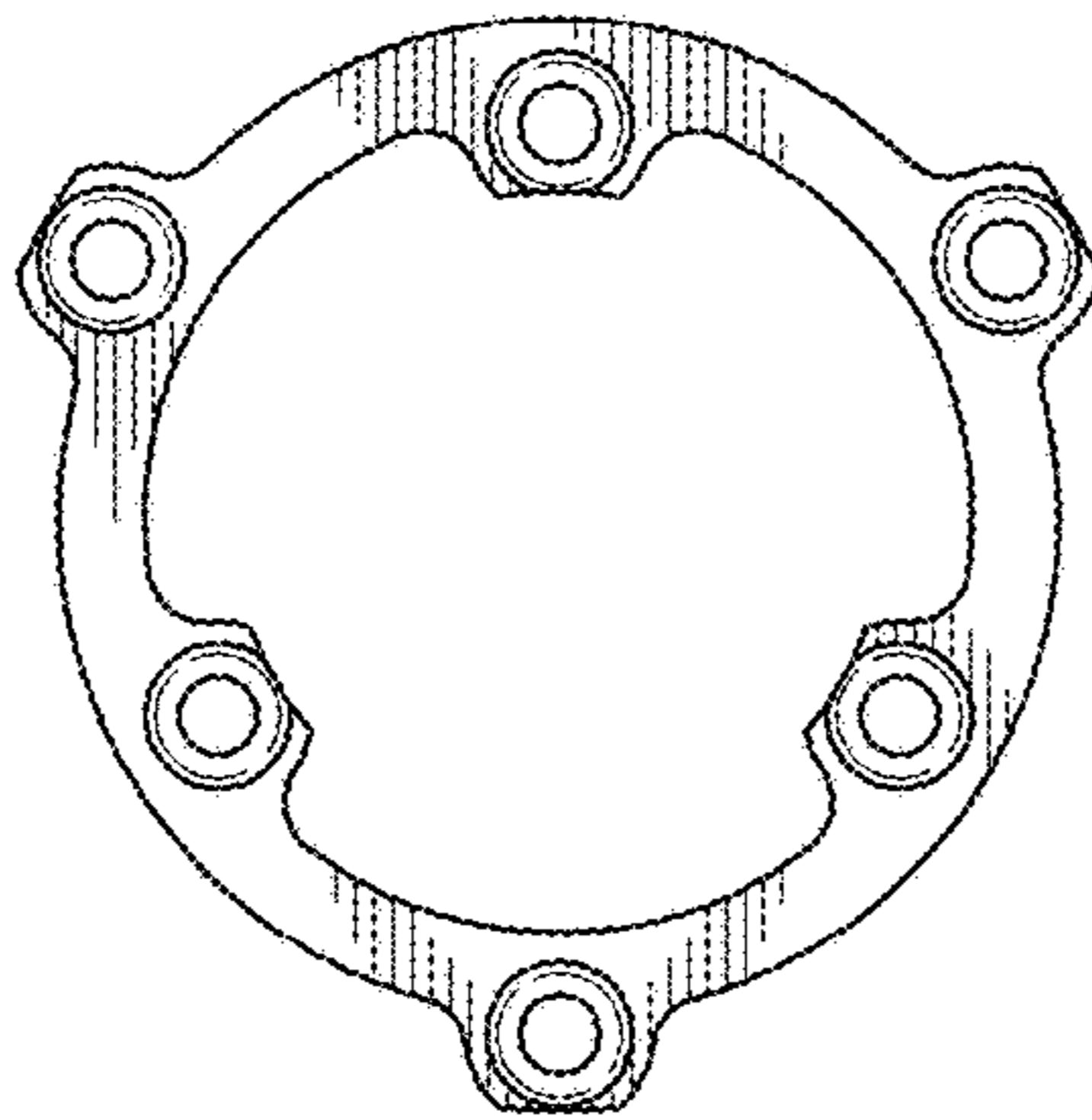


FIG. 25

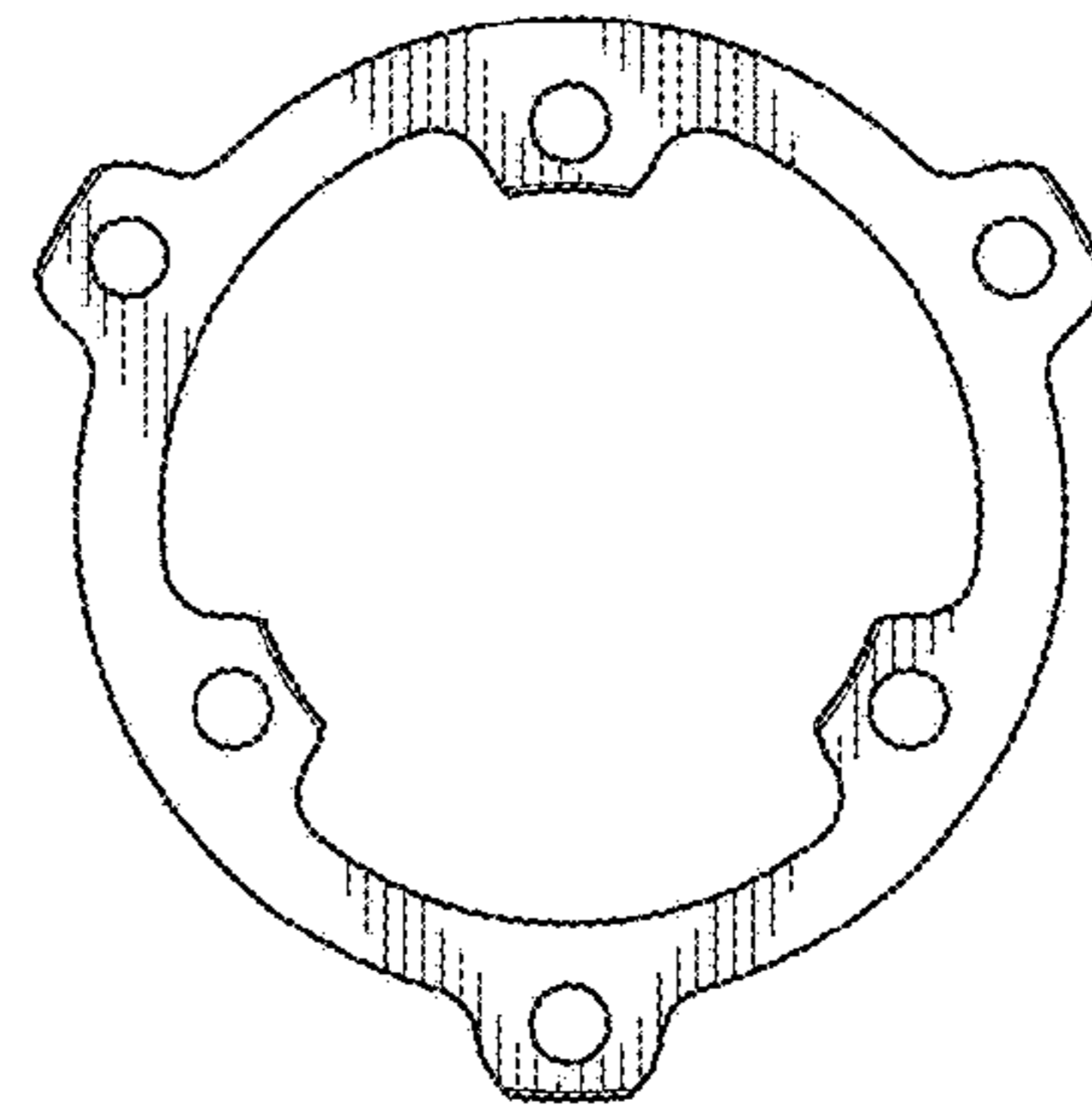


FIG. 26



FIG. 27

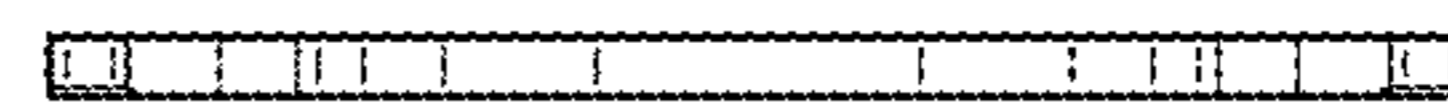


FIG. 28

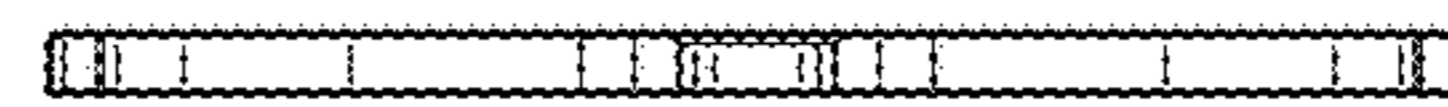


FIG. 29