



US00D859565S

(12) **United States Design Patent** (10) **Patent No.:** **US D859,565 S**
Oglesby (45) **Date of Patent:** **** Sep. 10, 2019**

(54) **MUZZLE PORTION OF A PISTOL SLIDE**

(71) Applicant: **Paul A. Oglesby**, Darley (GB)

(72) Inventor: **Paul A. Oglesby**, Darley (GB)

(**) Term: **15 Years**

(21) Appl. No.: **29/602,687**

(22) Filed: **May 2, 2017**

(51) **LOC (12) Cl.** **22-01**

(52) **U.S. Cl.**
USPC **D22/108**

(58) **Field of Classification Search**
USPC D22/108, 199, 104; D21/572-575
CPC F41A 21/34; F41A 21/325; F41A 21/32;
F41A 21/28; F41A 3/14; F41A 3/30;
F41A 17/44; F41A 11/00; F41C 27/00
See application file for complete search history.

(56) **References Cited**

U.S. PATENT DOCUMENTS

3,417,499	A *	12/1968	Allyn	F41A 5/18 42/75.01
D593,629	S *	6/2009	Bantle	D22/104
D760,859	S *	7/2016	Venegas	D22/108
D772,367	S *	11/2016	Wigant	D22/108
D777,871	S *	1/2017	Niswander	D22/108
D791,262	S *	7/2017	Brown	D22/104
2012/0204466	A1 *	8/2012	Bayne	F41A 17/00 42/84
2015/0121734	A1 *	5/2015	Kresser	F41A 3/72 42/16
2016/0102938	A1 *	4/2016	Sroufe	F41A 3/72 42/16
2018/0043449	A1 *	2/2018	Pavlick	B23K 26/0006
2018/0106568	A1 *	4/2018	Hedeen	H04N 5/2257
2018/0112945	A1 *	4/2018	Sroufe	F41A 11/00

OTHER PUBLICATIONS

Razorback Glock Gen 4 19 Stipped Camo Slides, posted at Lantac, posting date not available. [Site visited Dec. 4, 2018] URL: <<https://www.lantac-usa.com/glock-upgrades>>.*
Sig's Carry Cure: The Striker-Fired Reflex-Ready P320 RX Compact, posted at Athlon Outdoors, posting date May 15, 2017. [Site visited Dec. 4, 2018] URL: <<https://www.personaldefenseworld.com/2017/05/sig-sauer-p320-rx-compact/>> (Year: 2017).*

* cited by examiner

Primary Examiner — Kevin K Rudzinski

Assistant Examiner — Kathleen L Jones

(74) *Attorney, Agent, or Firm* — Shaddock Law Group, PC

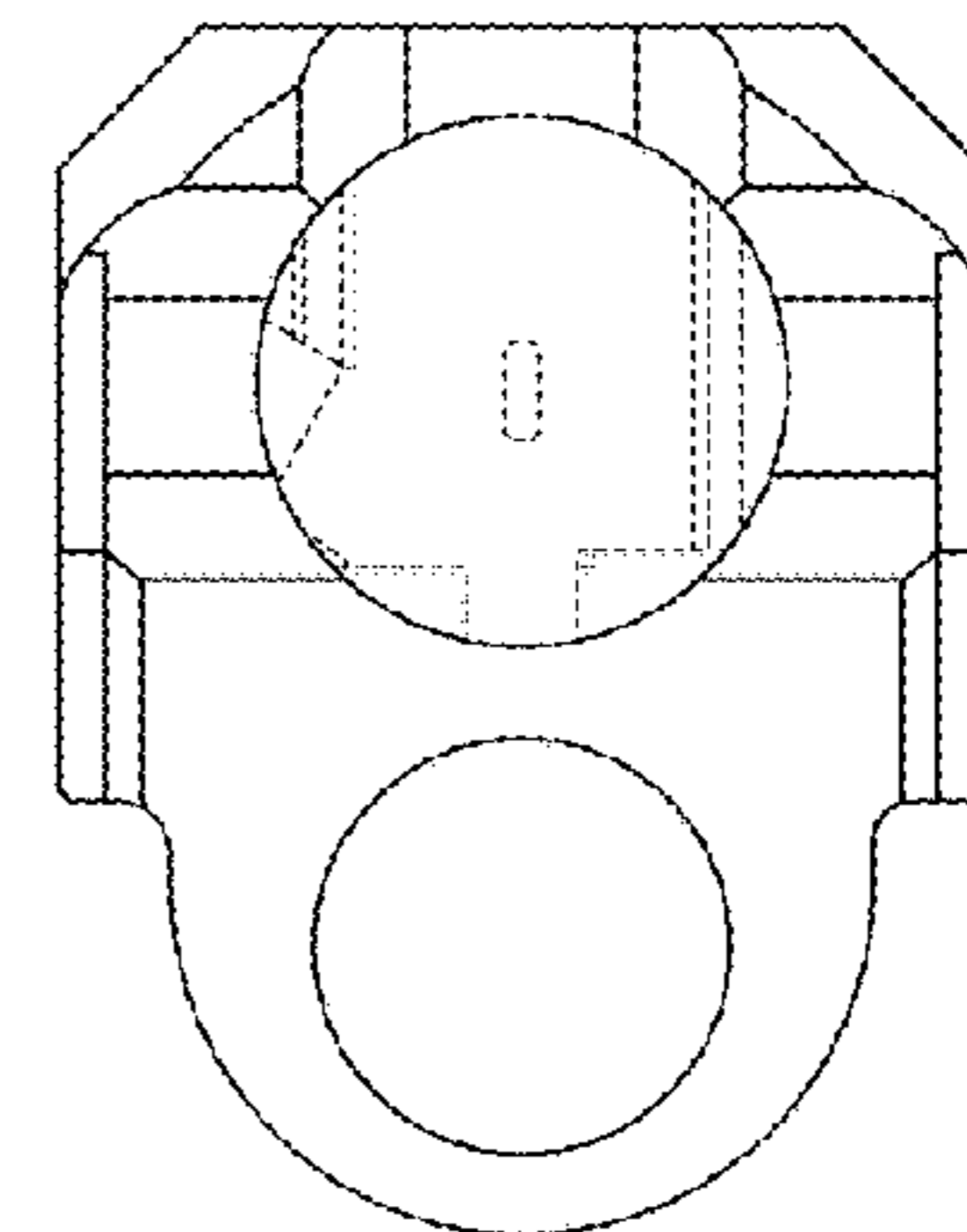
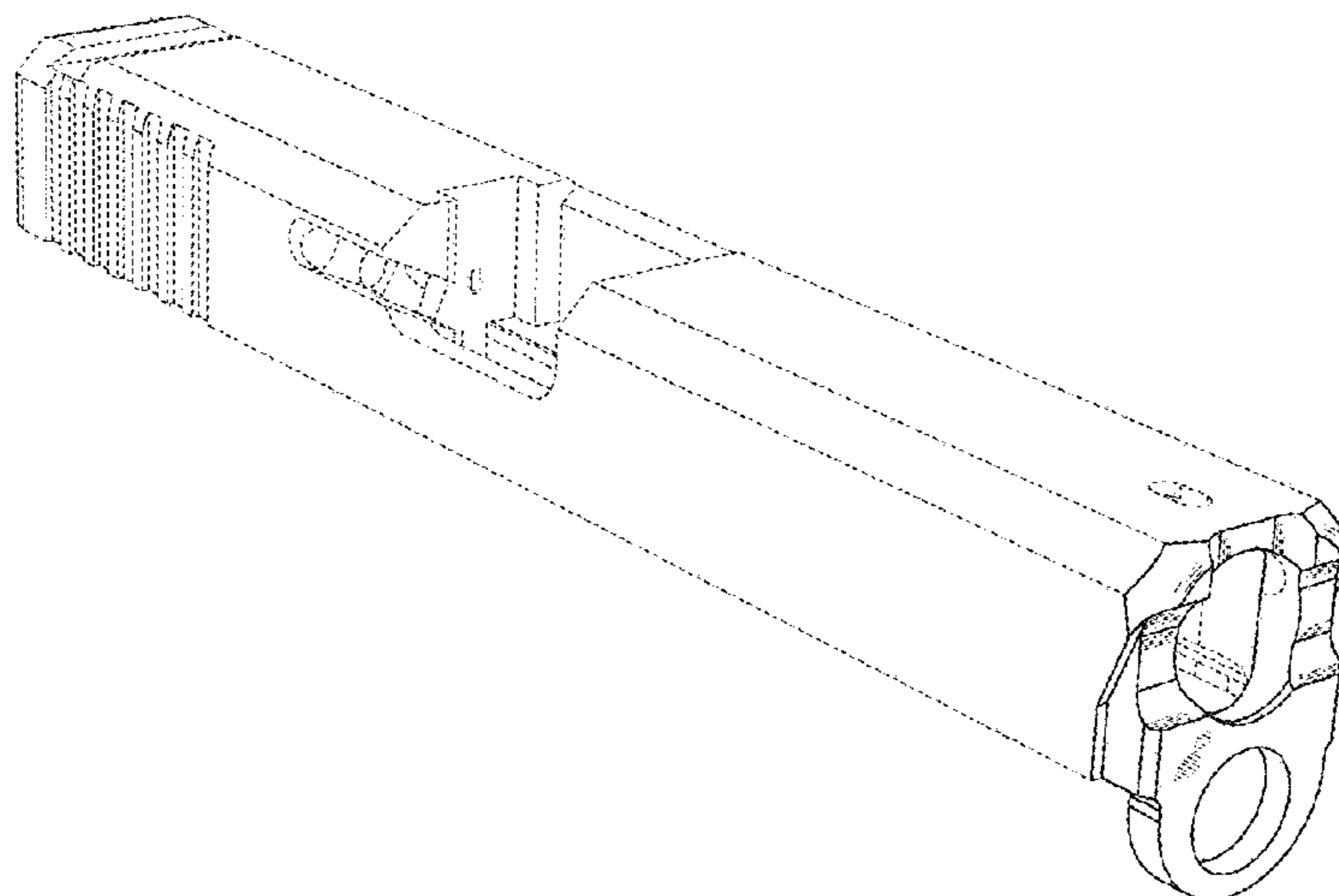
(57) **CLAIM**

The ornamental design for a muzzle portion of a pistol slide, as shown and described.

DESCRIPTION

FIG. 1 is an upper, right, front perspective view of the muzzle portion of a pistol slide, showing my new design; FIG. 2 is an upper, left, front perspective view thereof; FIG. 3 is a right side view thereof; FIG. 4 is a left side view thereof; FIG. 5 is a top plan view thereof; FIG. 6 is a bottom plan view thereof; FIG. 7 is a front view thereof; and, FIG. 8 is a rear view thereof.
The broken lines showing the remainder of the pistol slide are included to illustrate environmental structure and form no part of the claimed design.

1 Claim, 4 Drawing Sheets



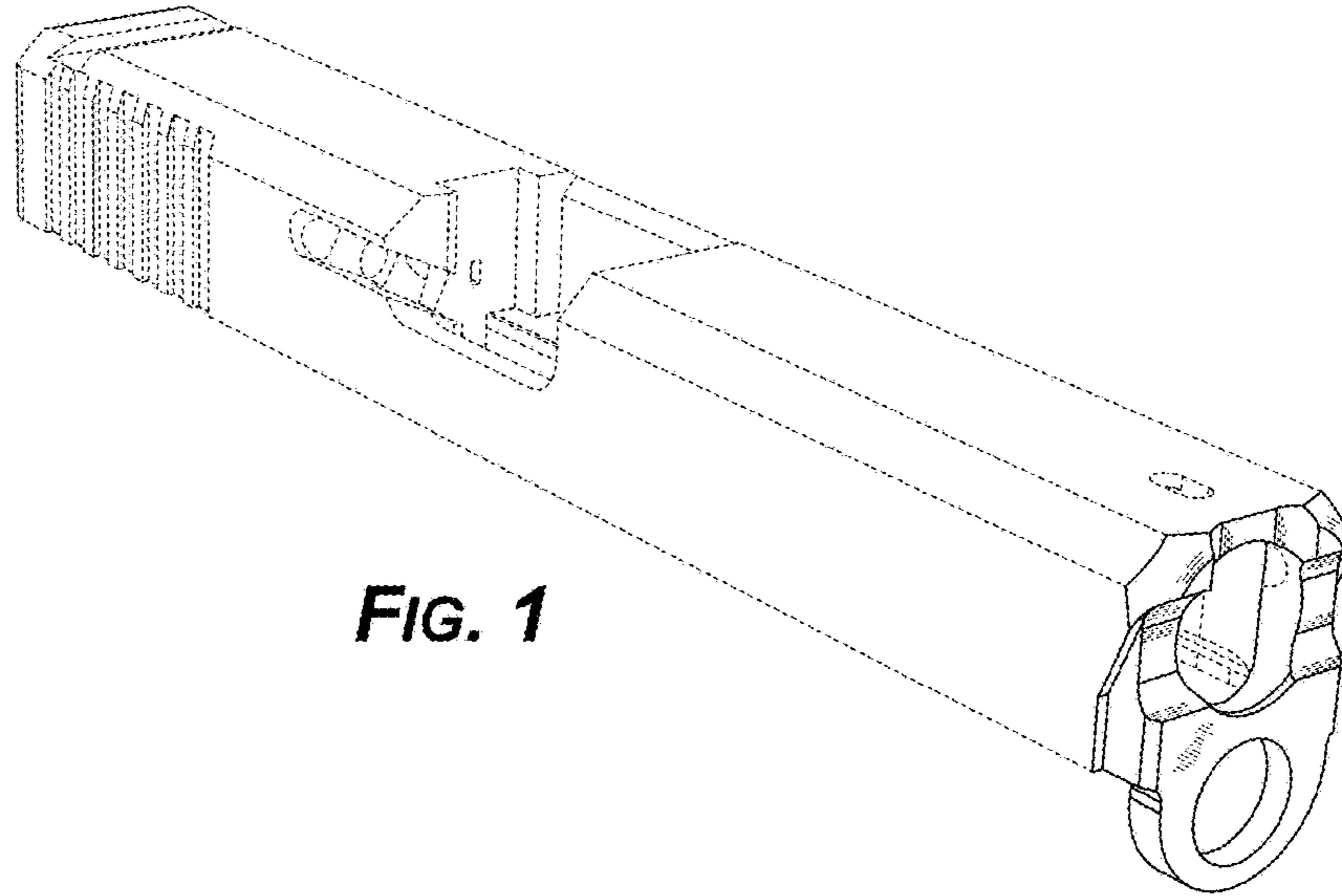


FIG. 1

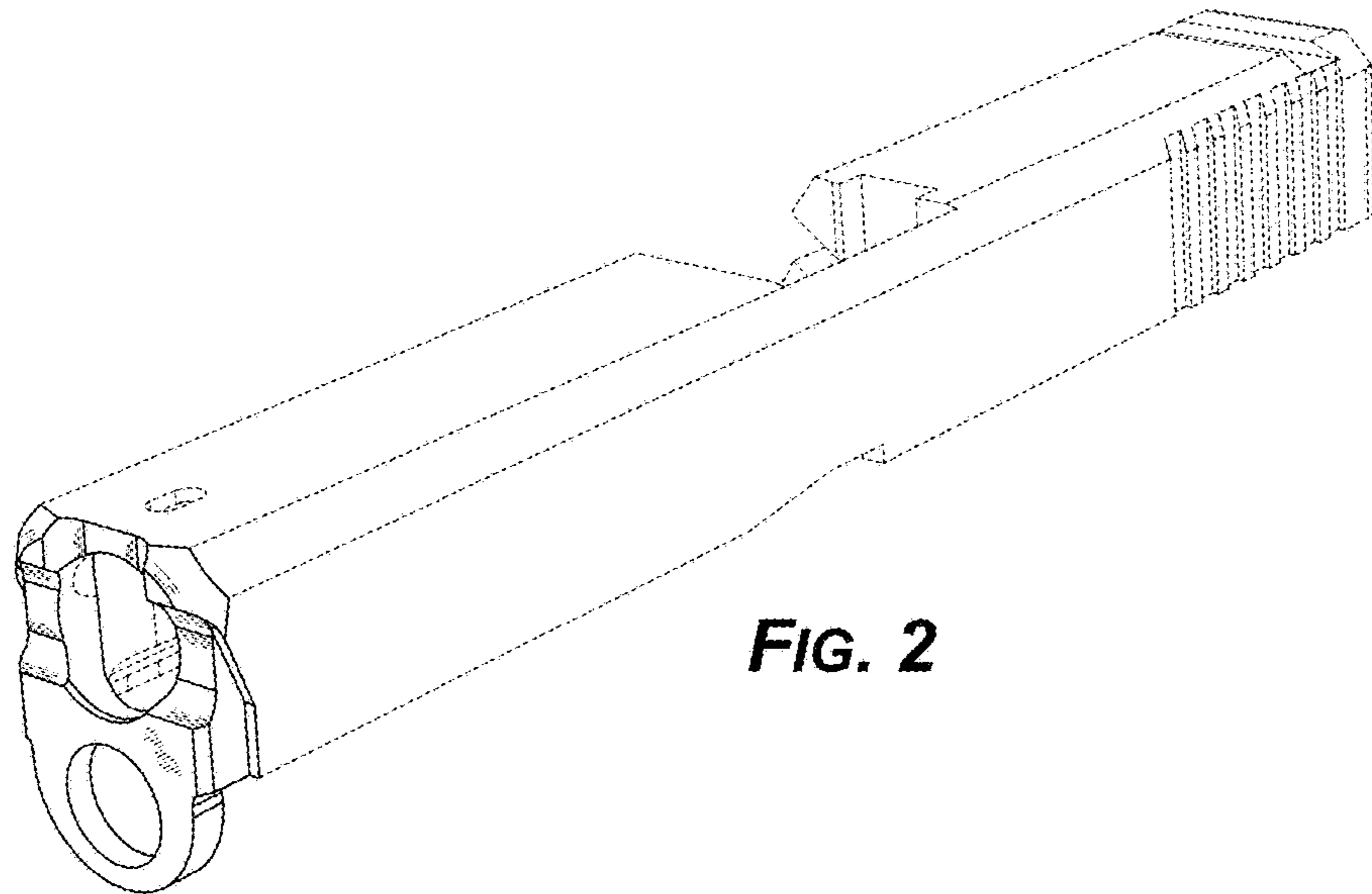


FIG. 2

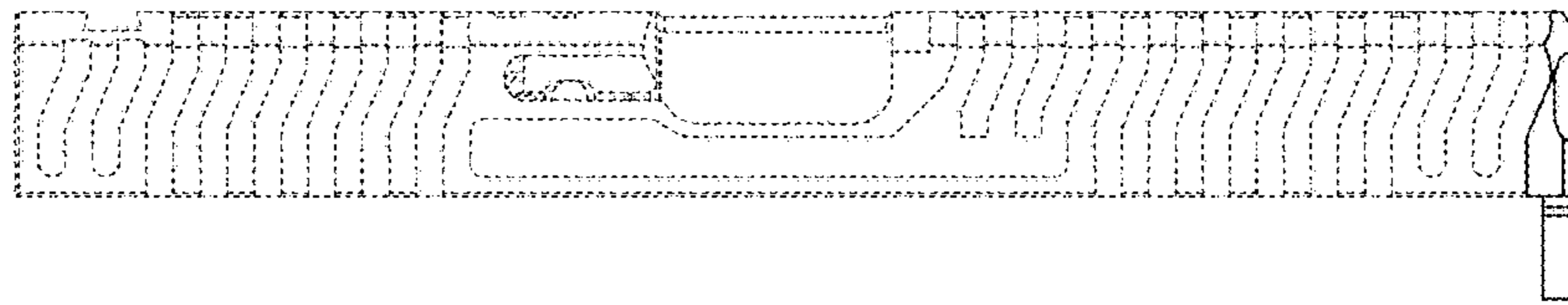


FIG. 3

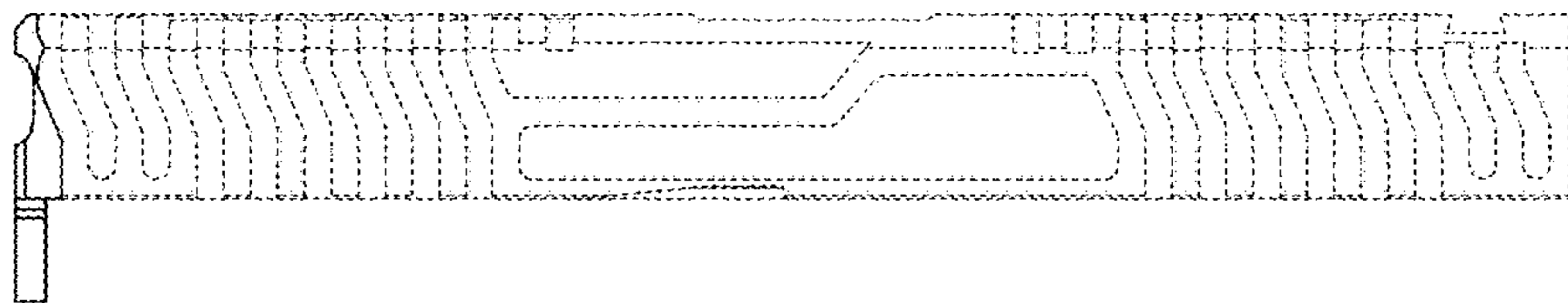


FIG. 4

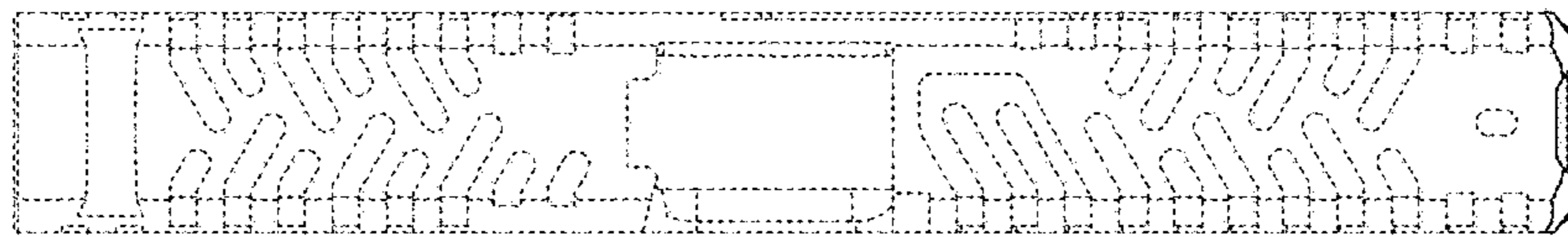


FIG. 5

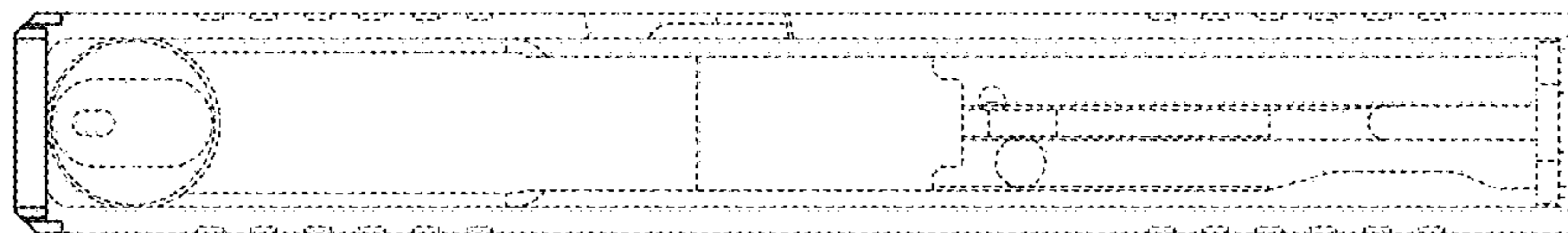


FIG. 6

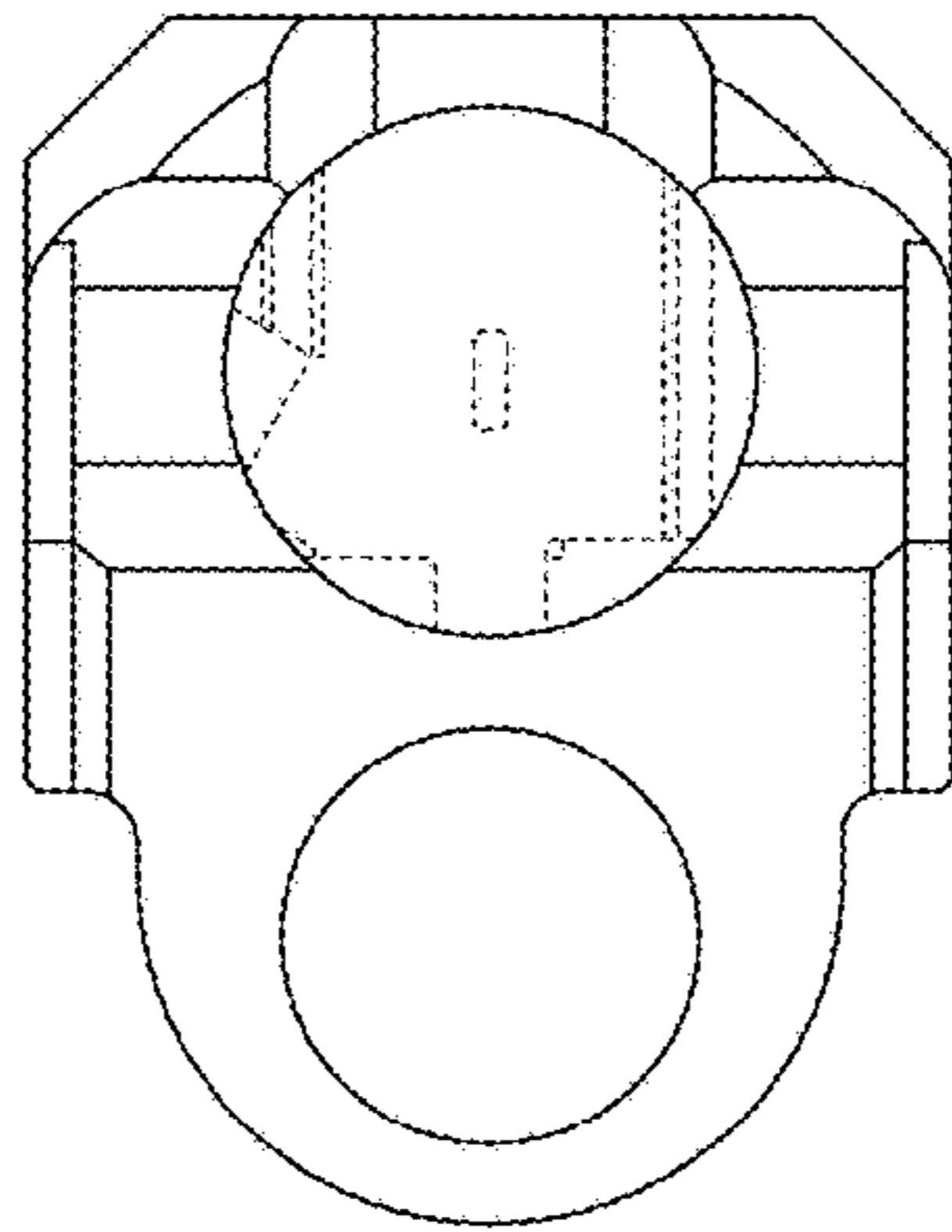


FIG. 7

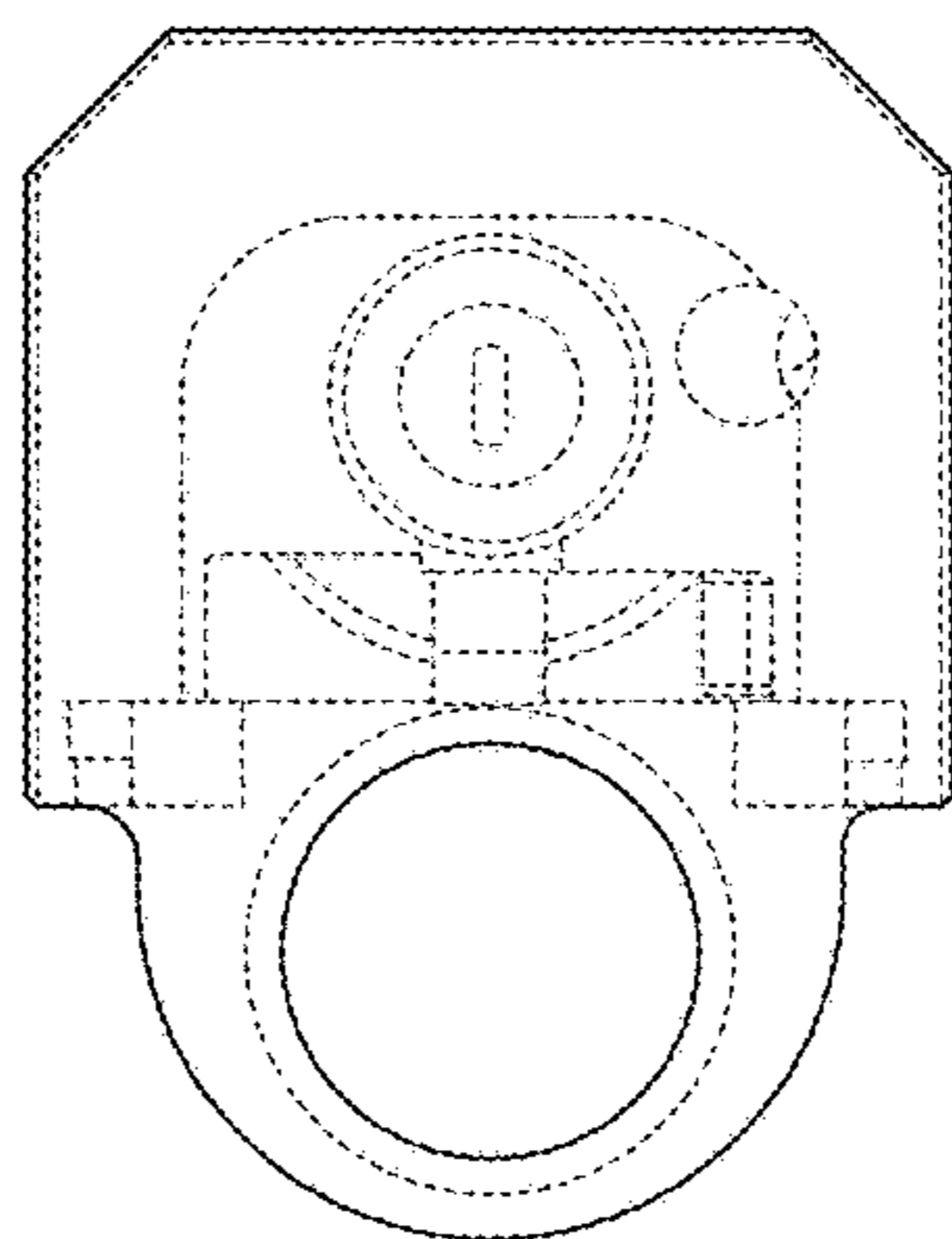


FIG. 8