



US00D859564S

(12) **United States Design Patent** (10) **Patent No.:** **US D859,564 S**
Choi (45) **Date of Patent:** **** Sep. 10, 2019**

(54) **TENT FRAME WITH EAVES** 5,421,356 A * 6/1995 Lynch E04H 15/50
135/145
(71) Applicant: **Campvalley (Xiamen) Co., Ltd.,** 5,794,640 A 8/1998 Jang
Xiamen (CN) 5,813,425 A 9/1998 Carter
5,944,040 A * 8/1999 Jang E04H 15/50
135/126

(72) Inventor: **Kwan Jun Choi**, Xiamen (CN) (Continued)

(73) Assignee: **Campvalley (Xiamen) Co., LTD.,** FOREIGN PATENT DOCUMENTS
Xiamen (CN)

(**) Term: **15 Years** CA 2895981 A1 12/2015
CN 2401649 Y 10/2000
(Continued)

(21) Appl. No.: **29/600,927**

(22) Filed: **Apr. 17, 2017**

(51) **LOC (12) Cl.** **21-04**

(52) **U.S. Cl.**
USPC **D21/839**

(58) **Field of Classification Search**
USPC D21/834, 835, 836, 837, 838, 839, 840
CPC E04H 15/00; E04H 15/02; E04H 15/18;
E04H 15/28; E04H 15/32; E04H 15/34;
E04H 15/40; E04H 15/42; E04H 15/425;
E04H 15/50

See application file for complete search history.

(56) **References Cited**

U.S. PATENT DOCUMENTS

1,061,547 A 5/1913 Kennedy
1,347,107 A 7/1920 McCann
3,888,056 A 6/1975 Kelly
4,286,612 A * 9/1981 Neal A01K 1/033
135/115
4,630,627 A 12/1986 Windows
4,641,676 A * 2/1987 Lynch E04H 15/50
135/115
4,793,371 A * 12/1988 O'Ferrell E04H 15/44
135/118
4,944,321 A 7/1990 Moyet-Ortiz
5,224,507 A * 7/1993 Vosse E04H 15/58
135/115
5,275,188 A 1/1994 Tsai

FOREIGN PATENT DOCUMENTS

CA 2895981 A1 12/2015
CN 2401649 Y 10/2000

(Continued)

OTHER PUBLICATIONS

U.S. Appl. No. 14/753,989, filed Jun. 29, 2015.

(Continued)

Primary Examiner — Robin V Webster
Assistant Examiner — Keith J Wilson
(74) *Attorney, Agent, or Firm* — Morgan, Lewis &
Bockius LLP

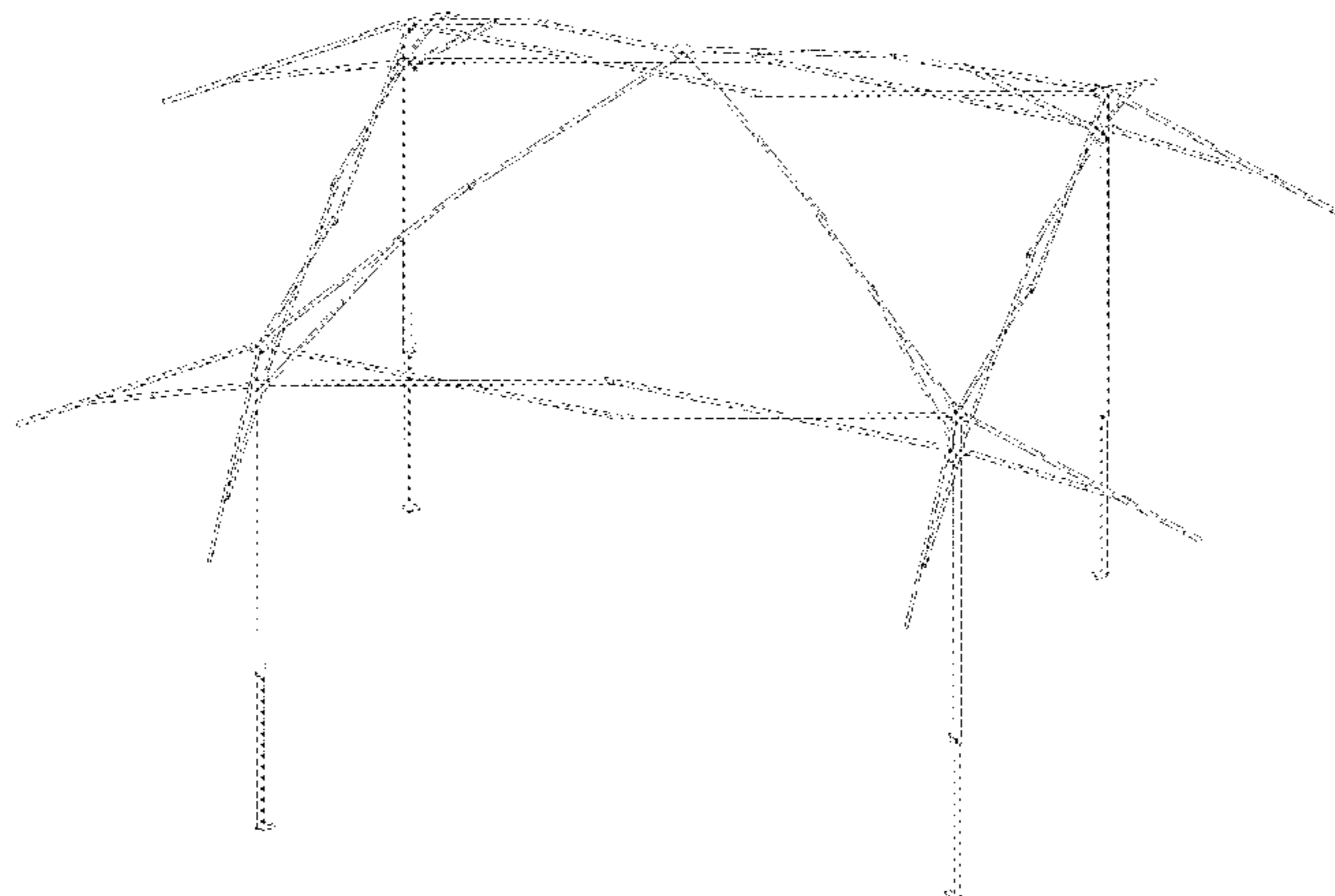
(57) **CLAIM**

The ornamental design for a tent frame with eaves, as shown and described.

DESCRIPTION

FIG. 1 is a perspective view of our new design of a tent frame with eaves;
FIG. 2 is a first side view thereof;
FIG. 3 is a second side view thereof;
FIG. 4 is a third side view thereof;
FIG. 5 is a fourth side view thereof;
FIG. 6 is a top view thereof; and,
FIG. 7 is a bottom view thereof.
The broken lines in the above described FIGS. 1-7 are for illustrative purposes only, depict environmental matter only, and form no part of the claimed design.

1 Claim, 7 Drawing Sheets



(56)

References Cited

U.S. PATENT DOCUMENTS

6,182,917 B1 2/2001 Lai
 6,206,020 B1* 3/2001 Lynch E04H 15/50
 135/128
 6,463,948 B2 10/2002 Lee
 6,598,614 B2 7/2003 Liu
 6,708,707 B2 3/2004 Dotterweich
 6,718,995 B2 4/2004 Dotterweich
 6,848,461 B2 2/2005 Tsai
 6,929,017 B2 8/2005 Byun
 7,055,538 B2 6/2006 Deng
 7,240,686 B2 7/2007 Seo
 7,296,584 B2* 11/2007 Goldwitz E04H 15/44
 135/121
 7,299,813 B2 11/2007 Ochi
 7,316,239 B2 1/2008 Yang
 7,360,549 B2 4/2008 Seo
 7,395,830 B2* 7/2008 Seo E04H 15/46
 135/120.3
 7,422,026 B2 9/2008 Kim
 8,220,477 B2* 7/2012 Park E04H 15/50
 135/131
 8,544,489 B2 10/2013 Choi
 8,616,226 B2 12/2013 Ma
 8,701,692 B2 4/2014 Holland
 D705,884 S 5/2014 Jin
 8,776,816 B2* 7/2014 Danziger E04H 15/48
 135/139
 8,893,737 B2 11/2014 Yang
 8,910,648 B2 12/2014 Jin
 9,243,422 B2* 1/2016 Hunt E04H 15/18
 9,528,292 B1 12/2016 Lovely, II
 9,580,929 B2 2/2017 Ma
 9,739,073 B2 8/2017 Huang
 9,869,110 B2* 1/2018 Krenzel E04H 15/18
 9,926,720 B2 3/2018 Huang
 2001/0050098 A1 12/2001 Lee
 2002/0074032 A1 6/2002 Park
 2004/0144412 A1 7/2004 Tsai
 2005/0241688 A1 3/2005 Wu
 2006/0169312 A1 8/2006 Choi
 2007/0012347 A1 1/2007 Ochi
 2007/0051397 A1 3/2007 Choi
 2007/0144572 A1 6/2007 Patel
 2007/0221626 A1 9/2007 Uchii
 2009/0032079 A1 2/2009 Choi
 2010/0043856 A1 2/2010 Park
 2011/0073148 A1 3/2011 Choi

2012/0291830 A1* 11/2012 Crimi E04H 15/58
 135/117
 2013/0014794 A1 1/2013 Jin
 2013/0247948 A1 9/2013 Lovley et al.
 2013/0284225 A1 10/2013 Holland
 2014/0174491 A1 6/2014 Yang
 2014/0261601 A1 9/2014 Jin
 2014/0261602 A1 9/2014 Ampoyo
 2014/0290710 A1 10/2014 Choi
 2015/0083177 A1 3/2015 Hotes
 2015/0247339 A1 9/2015 Lee
 2015/0308147 A1 10/2015 Lee
 2015/0376913 A1 12/2015 Choi
 2016/0108639 A1 4/2016 Huang
 2016/0348392 A1 12/2016 Jin
 2017/0121999 A1 5/2017 Ma
 2017/0292287 A1 10/2017 Lovely, II
 2018/0080242 A1 3/2018 Choi
 2018/0080243 A1 3/2018 Choi
 2018/0106066 A1 4/2018 Choi
 2018/0106067 A1 4/2018 Choi
 2018/0106068 A1 4/2018 Choi
 2018/0142493 A1 5/2018 Choi

FOREIGN PATENT DOCUMENTS

CN 201202302 Y 3/2009
 CN 103590650 B 2/2014
 CN 104265063 A 1/2015
 CN 104358468 A 2/2015
 CN 204163467 U 2/2015
 FR 1 121 851 8/1956
 FR 68588 5/1958
 JP 4557885 B2 10/2010
 WO WO 2010/104939 A1 9/2010
 WO WO 2011/022764 A1 3/2011
 WO WO 2013/116545 A1 8/2013

OTHER PUBLICATIONS

U.S. Appl. No. 29/600,929, filed Apr. 17, 2017.
 U.S. Appl. No. 15/709,222, filed Sep. 19, 2017.
 U.S. Appl. No. 15/709,234, filed Sep. 19, 2017.
 U.S. Appl. No. 15/782,699, filed Oct. 12, 2017.
 U.S. Appl. No. 15/782,717, filed Oct. 12, 2017.
 U.S. Appl. No. 15/782,726, filed Oct. 12, 2017.
 U.S. Appl. No. 15/821,019, filed Nov. 22, 2017.
 U.S. Appl. No. 15/170,566, filed Jun. 1, 2016.
 U.S. App. No. 15/170,587, filed Jun. 1, 2016.

* cited by examiner

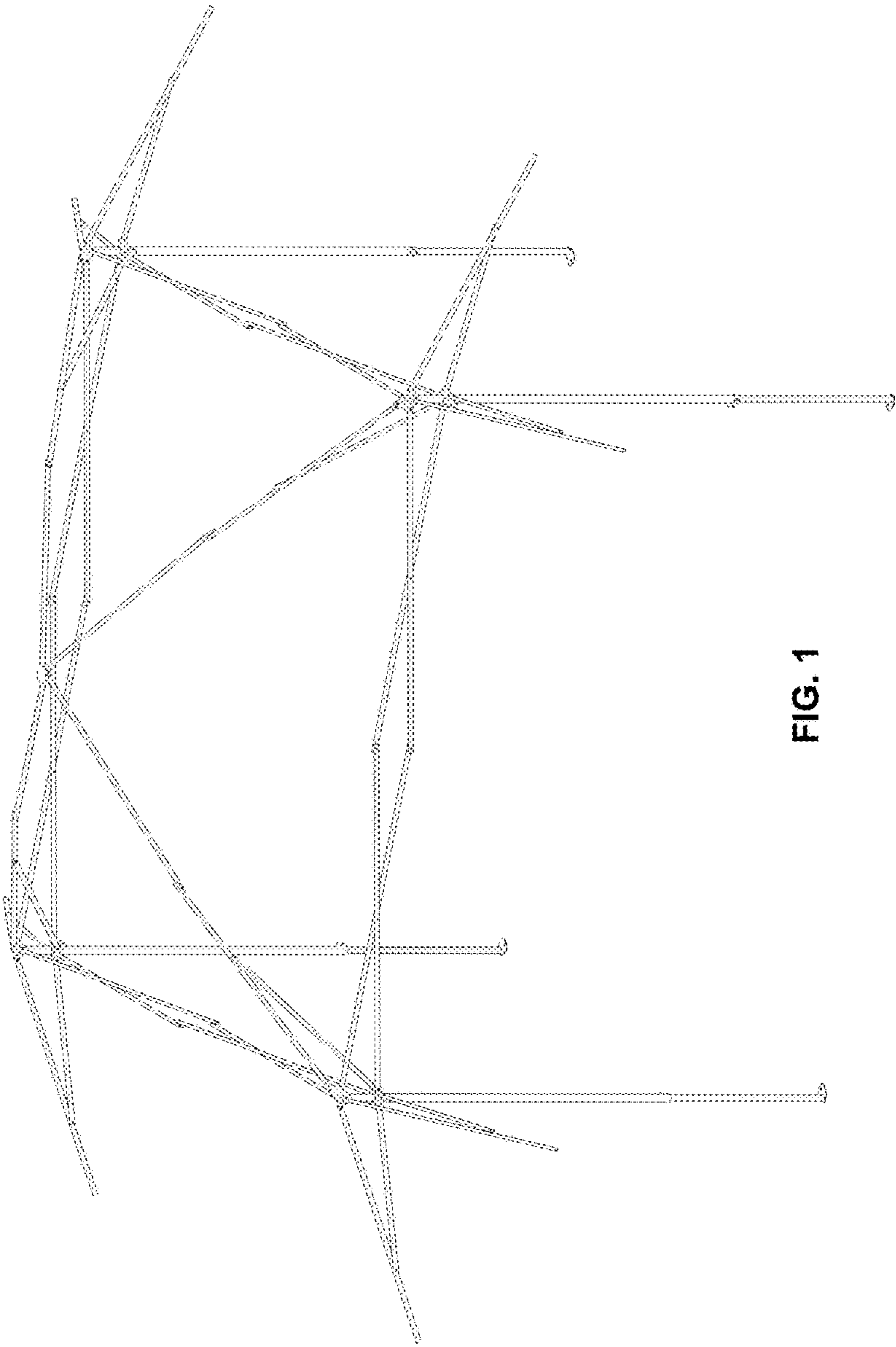


FIG. 1

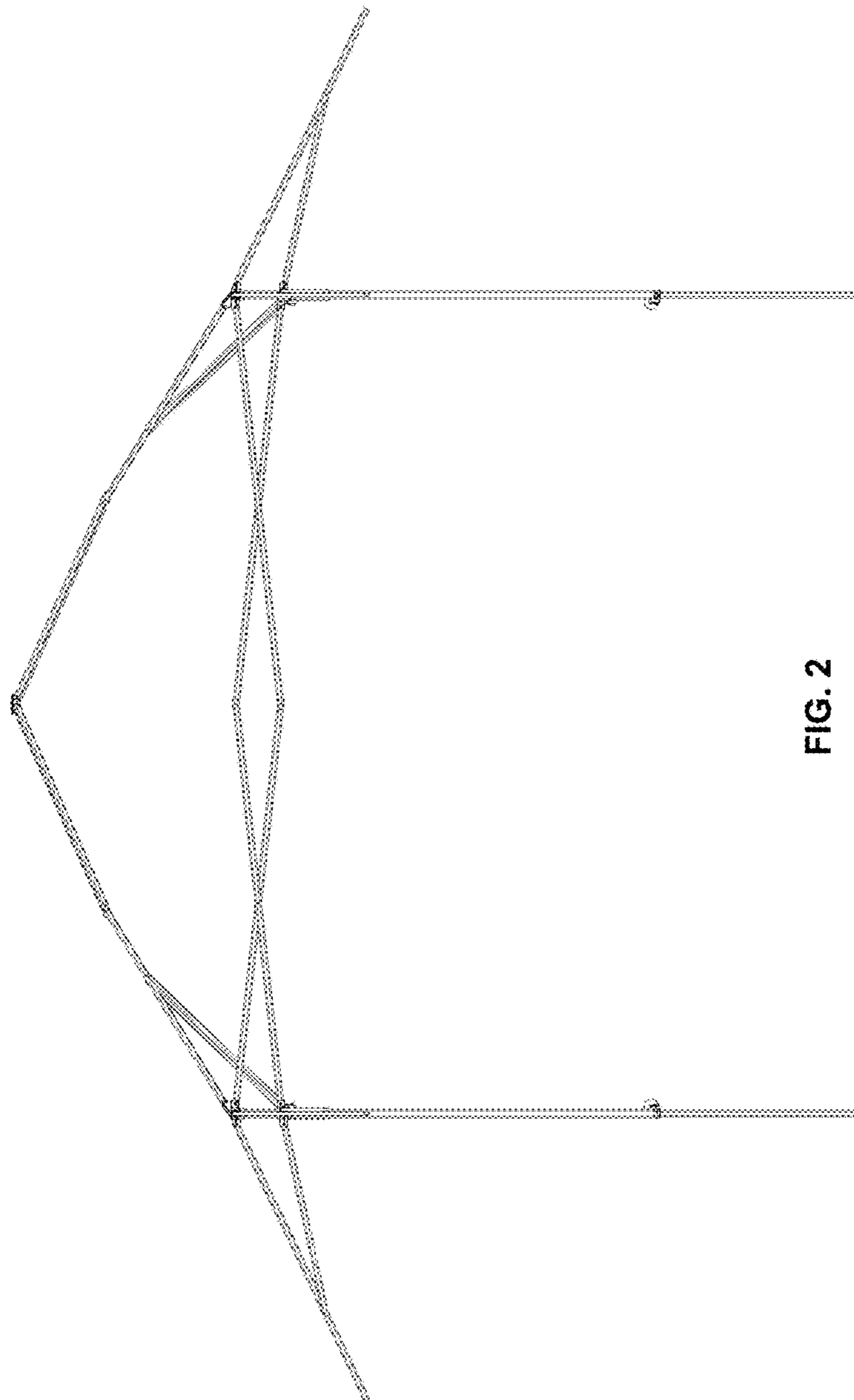


FIG. 2

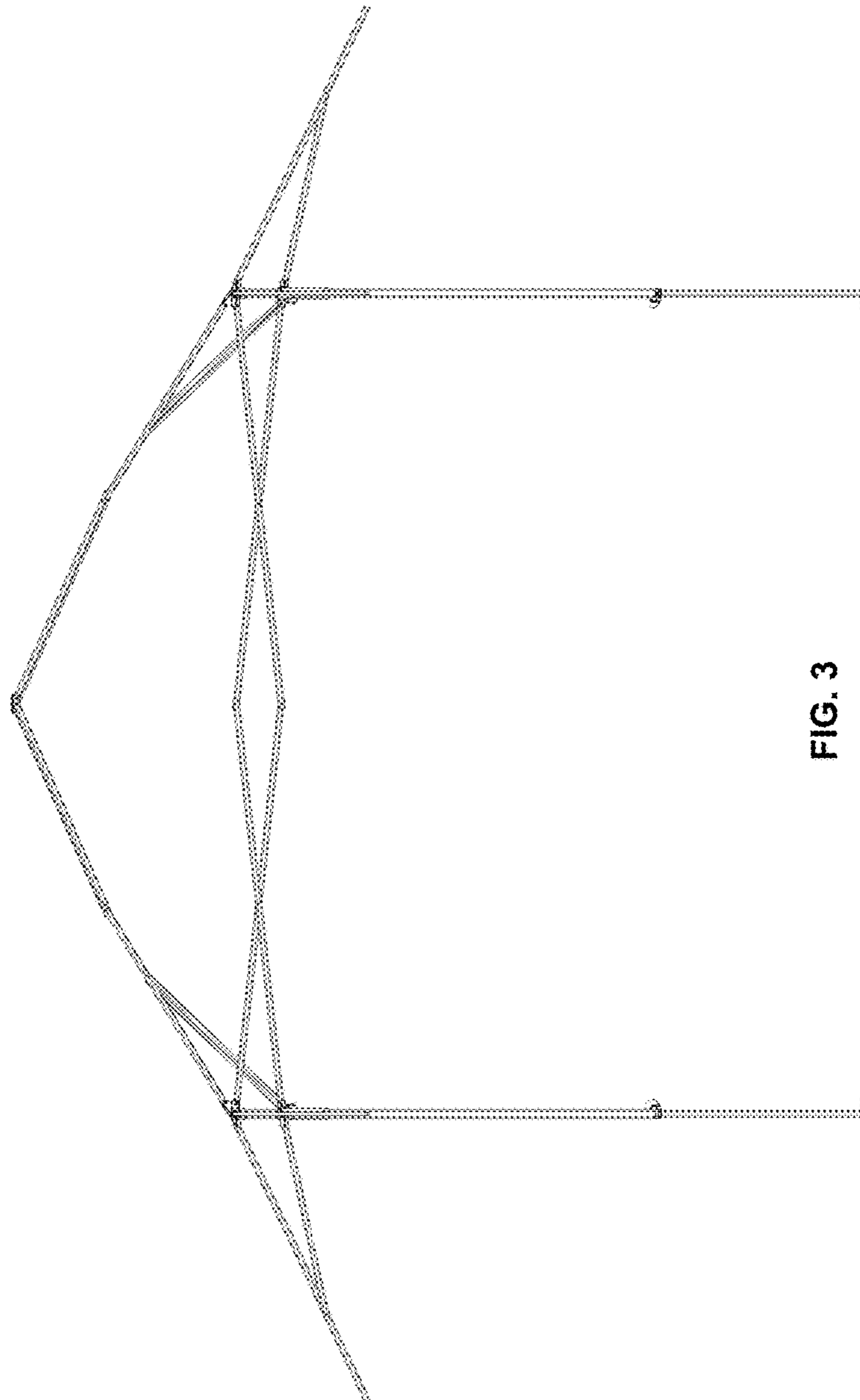


FIG. 3

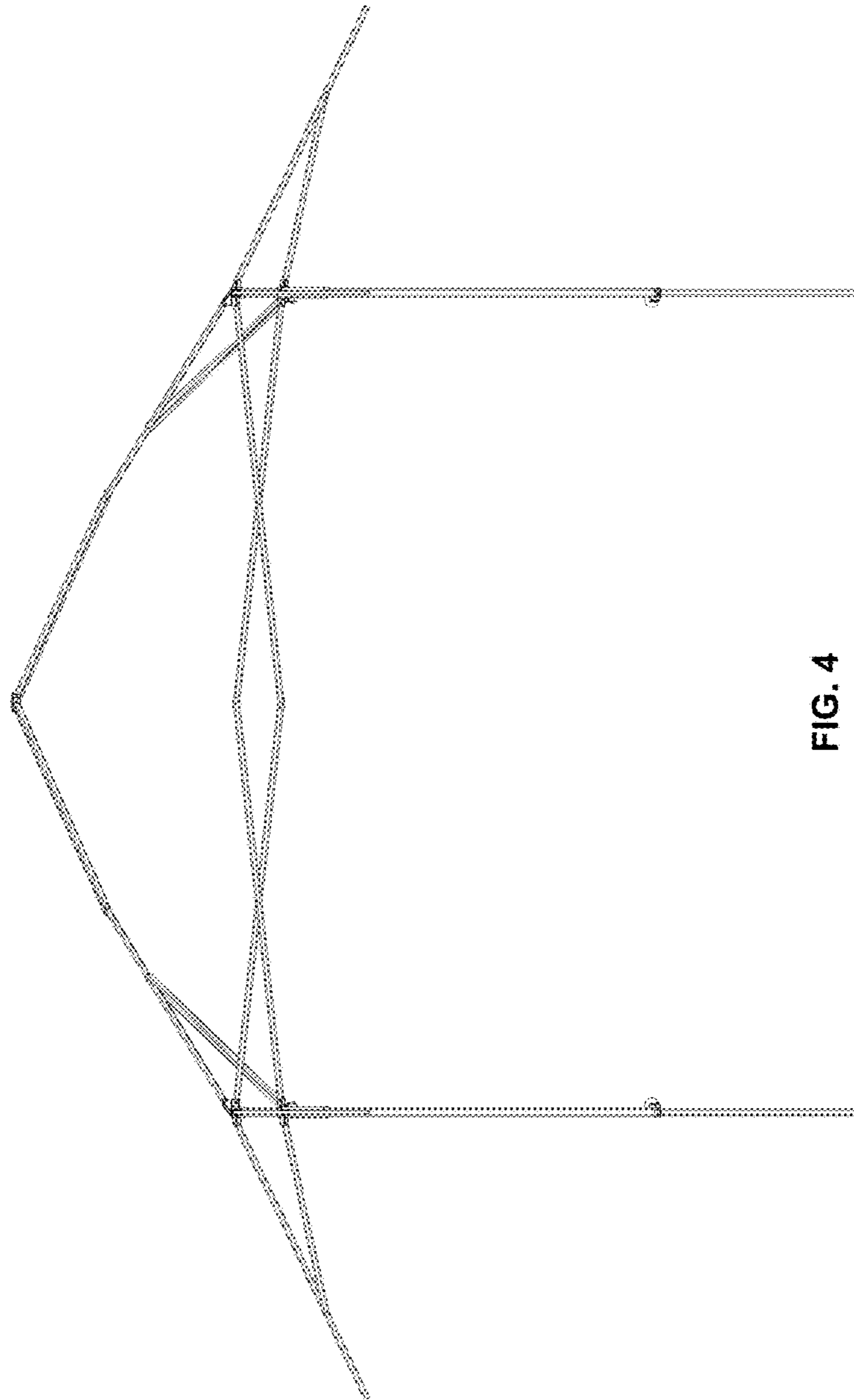


FIG. 4

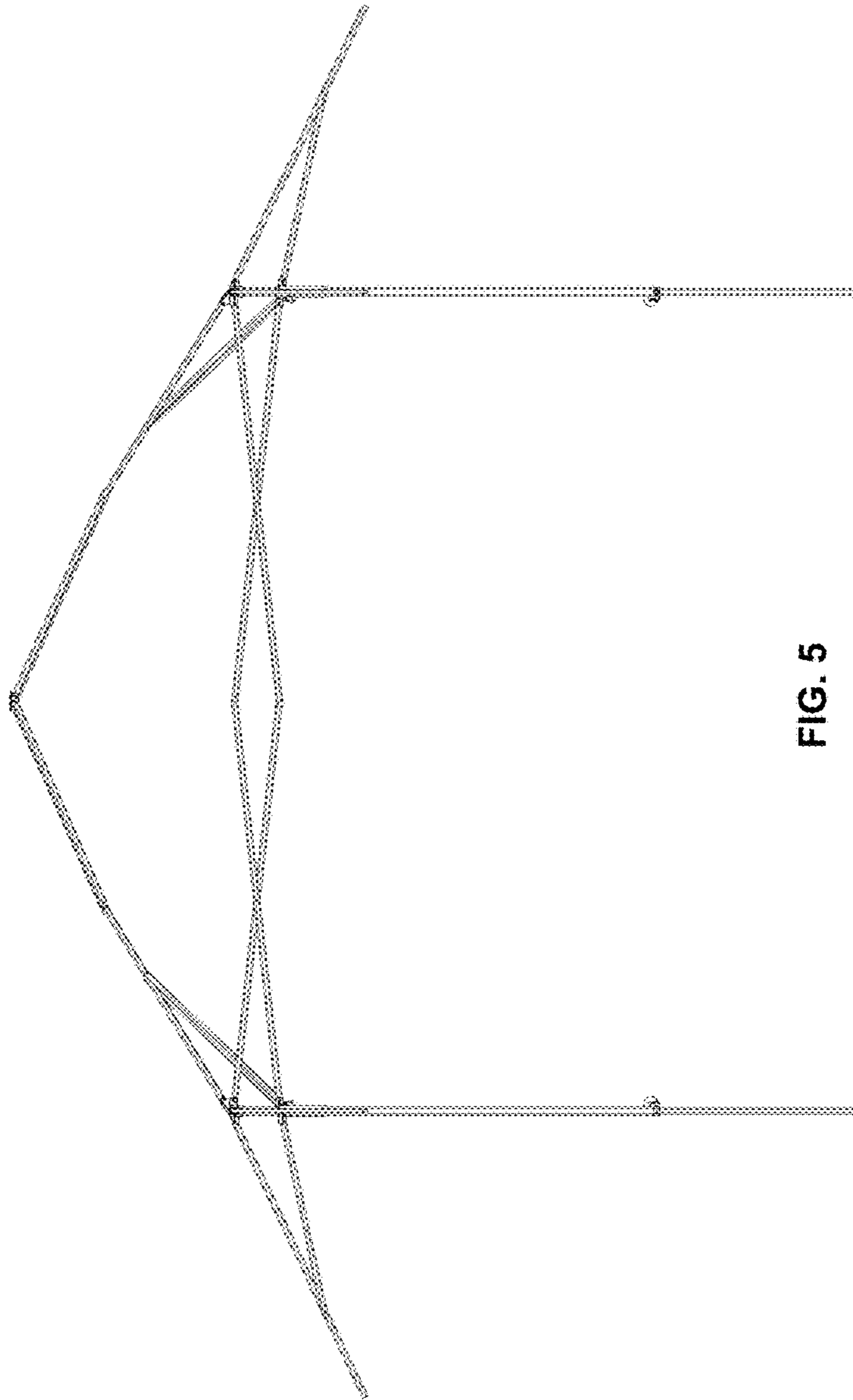


FIG. 5

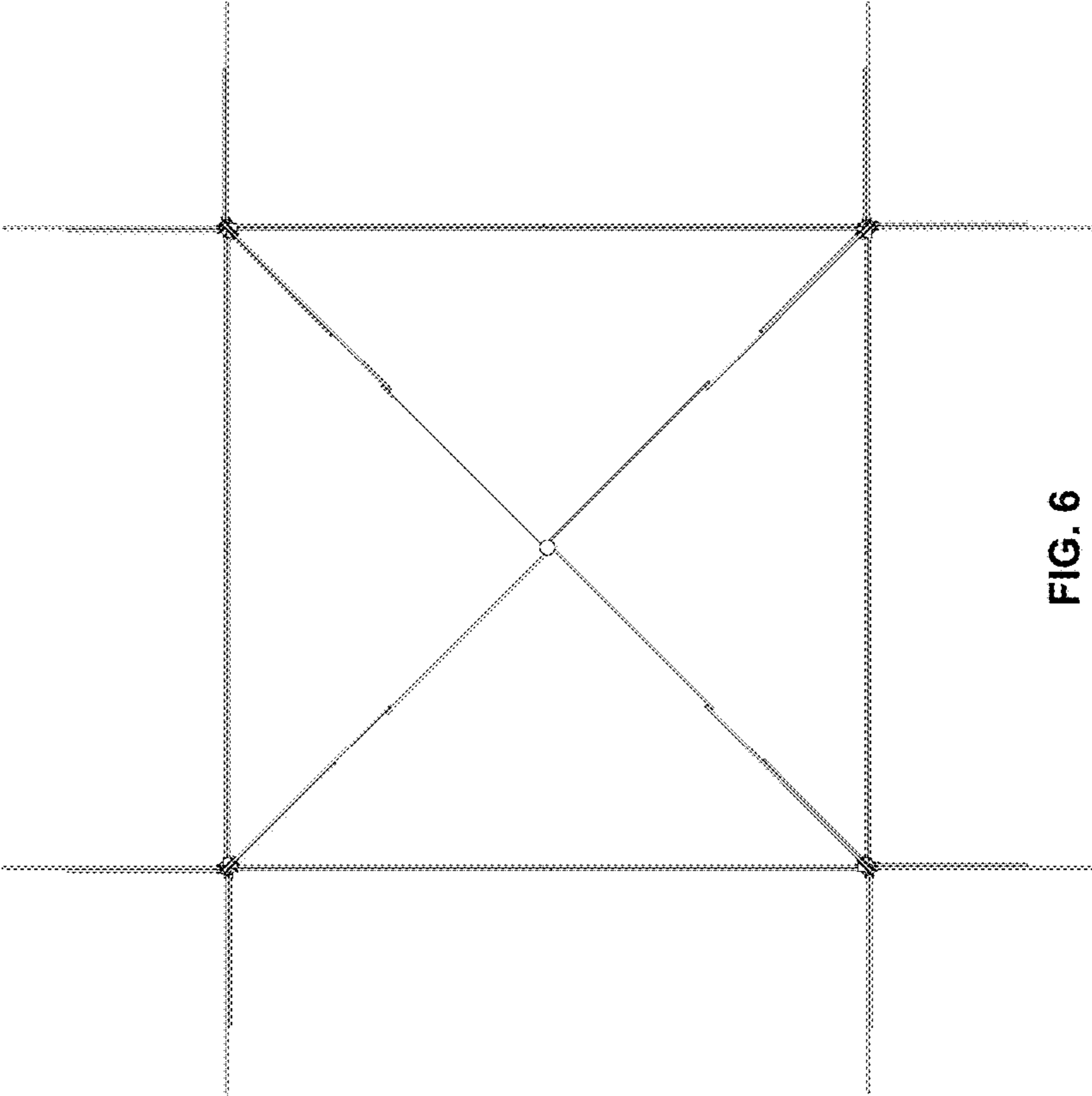


FIG. 6

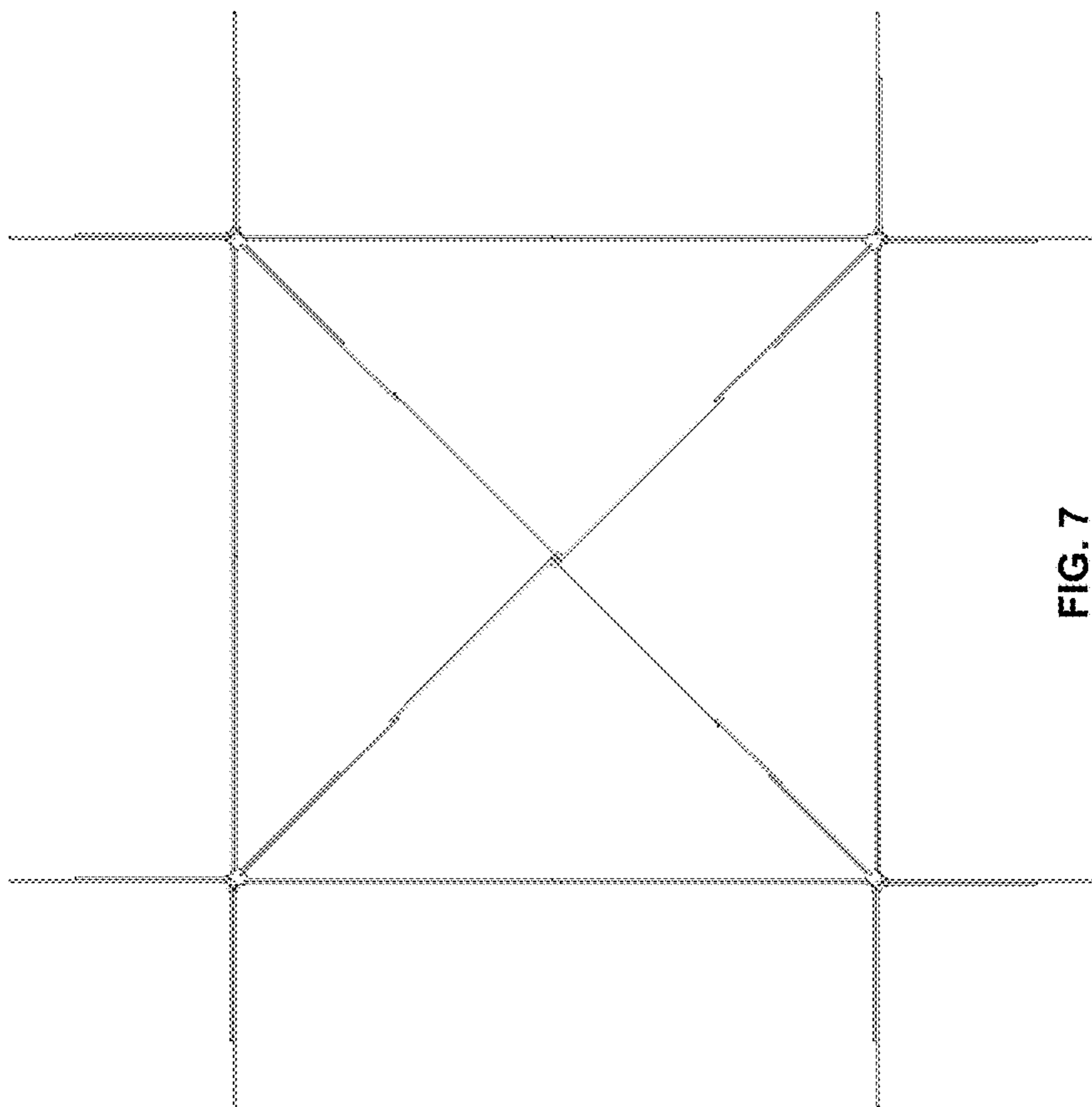


FIG. 7