



US00D859563S

(12) **United States Design Patent** (10) **Patent No.:** **US D859,563 S**  
**Keller** (45) **Date of Patent:** **\*\* Sep. 10, 2019**

(54) **PLAY STRUCTURE**  
(71) Applicant: **Landscape Structures Inc.**, Delano, MN (US)  
(72) Inventor: **Thomas L. Keller**, Delano, MN (US)  
(73) Assignee: **LANDSCAPE STRUCTURES, INC.**, Delano, MN (US)  
(\*\*) Term: **15 Years**

D265,850 S \* 8/1982 Bradford ..... D21/511  
D271,037 S \* 10/1983 Gordon ..... D21/822  
D274,450 S \* 6/1984 Gordon ..... D21/822  
D277,222 S \* 1/1985 Mower ..... D21/822  
D281,447 S \* 11/1985 Gordon ..... D21/822  
D281,985 S \* 12/1985 Spirk, Jr. .... D21/818  
D281,992 S \* 12/1985 Saxman ..... D21/826  
D295,898 S \* 5/1988 Rupp ..... D25/1  
D302,198 S \* 7/1989 Mercer ..... D21/826  
D330,579 S \* 10/1992 Briggs ..... D21/822  
D334,610 S \* 4/1993 Aker ..... D21/818  
D340,099 S \* 10/1993 Warren ..... D21/818  
D340,273 S \* 10/1993 Ezell ..... D21/511

(Continued)

(21) Appl. No.: **29/628,521**  
(22) Filed: **Dec. 5, 2017**  
(51) **LOC (12) Cl.** ..... **21-03**  
(52) **U.S. Cl.**  
USPC ..... **D21/827**  
(58) **Field of Classification Search**  
USPC ..... D21/811, 814, 818-827, 506, 507, 508, D21/511  
CPC . A63G 21/00-21/22; A63G 9/00-9/22; A63G 31/00; A63B 9/00; A63B 2009/006; A63B 17/00; A63B 17/02; A63H 33/008  
See application file for complete search history.

*Primary Examiner* — Mitchell I. Siegel  
(74) *Attorney, Agent, or Firm* — Wesley W. Malherek; Kelly, Holt & Christenson PLLC

(57) **CLAIM**

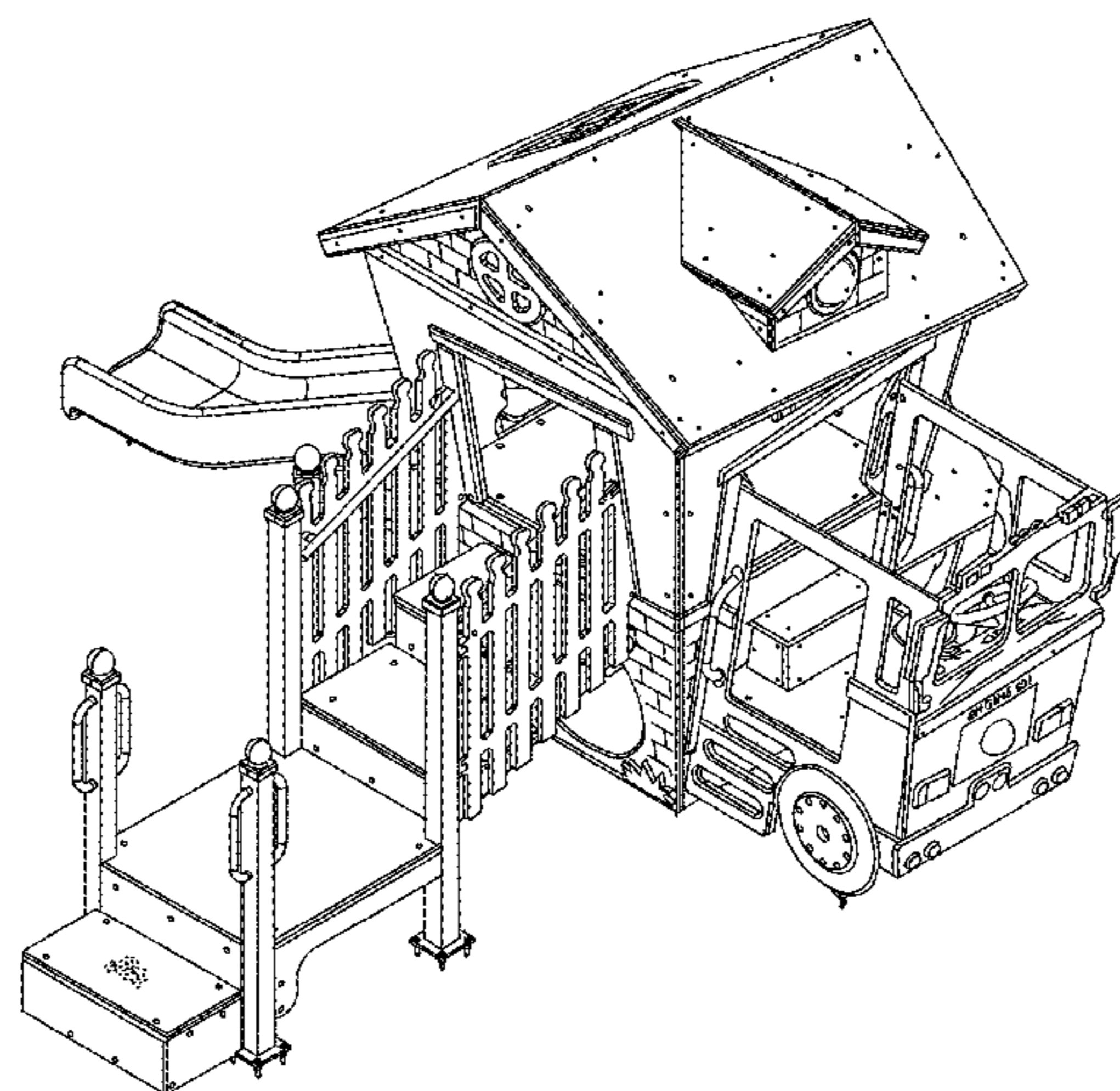
The ornamental design for the play structure, as shown and described.

**DESCRIPTION**

FIG. 1 is a perspective view of an embodiment of the play structure.  
FIG. 2 is a first side view of an embodiment of the play structure.  
FIG. 3 is a front view of an embodiment of the play structure.  
FIG. 4 is a top view of an embodiment of the play structure.  
FIG. 5 is a rear view of an embodiment of the play structure.  
FIG. 6 is a second side view of an embodiment of the play structure; and,  
FIG. 7 is a bottom view of an embodiment of the play structure.  
The broken line showing is included for the purpose of illustrating unclaimed subject matter and forms no part of the claimed design.

(56) **References Cited**  
U.S. PATENT DOCUMENTS  
D43,949 S \* 4/1913 Thayer et al. .... D21/511  
D44,041 S \* 5/1913 Thayer et al. .... D21/511  
D224,243 S \* 7/1972 Hock et al. .... D21/818  
D224,247 S \* 7/1972 Jamison ..... D21/818  
D250,784 S \* 1/1979 Dieter ..... D21/821  
D251,265 S \* 3/1979 Shorten ..... D21/511  
D253,362 S \* 11/1979 Dieter ..... D21/822  
D253,363 S \* 11/1979 Dieter ..... D21/821  
4,262,900 A \* 4/1981 Vinson ..... A63G 31/00  
472/116  
D259,804 S \* 7/1981 Dieter ..... D21/826  
D261,917 S \* 11/1981 Dieter ..... D21/818  
D262,818 S \* 1/1982 Works ..... D21/822

**1 Claim, 7 Drawing Sheets**



(56)

References Cited

U.S. PATENT DOCUMENTS

D347,458 S \* 5/1994 Cunard ..... D21/818  
 D361,614 S \* 8/1995 Aker ..... D21/821  
 D366,686 S \* 1/1996 Ziegler, Jr. .... D21/826  
 D367,310 S \* 2/1996 Ziegler, Jr. .... D21/827  
 D377,074 S \* 12/1996 Ford ..... D21/827  
 D385,941 S \* 11/1997 Carpenter ..... D21/511  
 D427,648 S \* 7/2000 Law ..... D21/511  
 D435,881 S \* 1/2001 Gardner ..... D21/820  
 D436,224 S \* 1/2001 Gardner ..... D21/820  
 D440,623 S \* 4/2001 Gardner ..... D21/818  
 6,482,095 B2 \* 11/2002 Zeilinger ..... A63B 17/02  
 104/69  
 D468,387 S \* 1/2003 Ezell ..... D21/826  
 D501,232 S \* 1/2005 Kirk ..... D21/511  
 D524,895 S \* 7/2006 VanDeusen ..... D21/820  
 D532,462 S \* 11/2006 DeBlanco ..... D21/511  
 D534,984 S \* 1/2007 Nye ..... D21/818  
 D536,406 S \* 2/2007 Nye ..... D21/818  
 D536,407 S \* 2/2007 Nye ..... D21/818

D536,408 S \* 2/2007 Nye ..... D21/818  
 D536,409 S \* 2/2007 Nye ..... D21/822  
 D536,410 S \* 2/2007 Nye ..... D21/822  
 D536,411 S \* 2/2007 Nye ..... D21/822  
 D569,450 S \* 5/2008 Halliday ..... D21/511  
 D569,451 S \* 5/2008 Halliday ..... D21/511  
 D575,840 S \* 8/2008 Sammann ..... D21/818  
 D577,408 S \* 9/2008 Ketcherside ..... D21/821  
 D587,776 S \* 3/2009 Robertson ..... D21/814  
 D594,070 S \* 6/2009 Ridens ..... D21/511  
 D618,814 S \* 6/2010 Ruhanen ..... D24/203  
 D690,382 S \* 9/2013 Kopp ..... D21/822  
 D693,418 S \* 11/2013 Tukker ..... D21/818  
 D693,419 S \* 11/2013 Tukker ..... D21/818  
 D694,838 S \* 12/2013 Tukker ..... D21/511  
 D807,978 S \* 1/2018 Keller ..... D21/814  
 D832,965 S \* 11/2018 Keller ..... D21/818  
 2006/0096188 A1 \* 5/2006 Byrd ..... A63G 31/00  
 52/198  
 2012/0193276 A1 \* 8/2012 Kim ..... A63G 31/007  
 210/167.1

\* cited by examiner

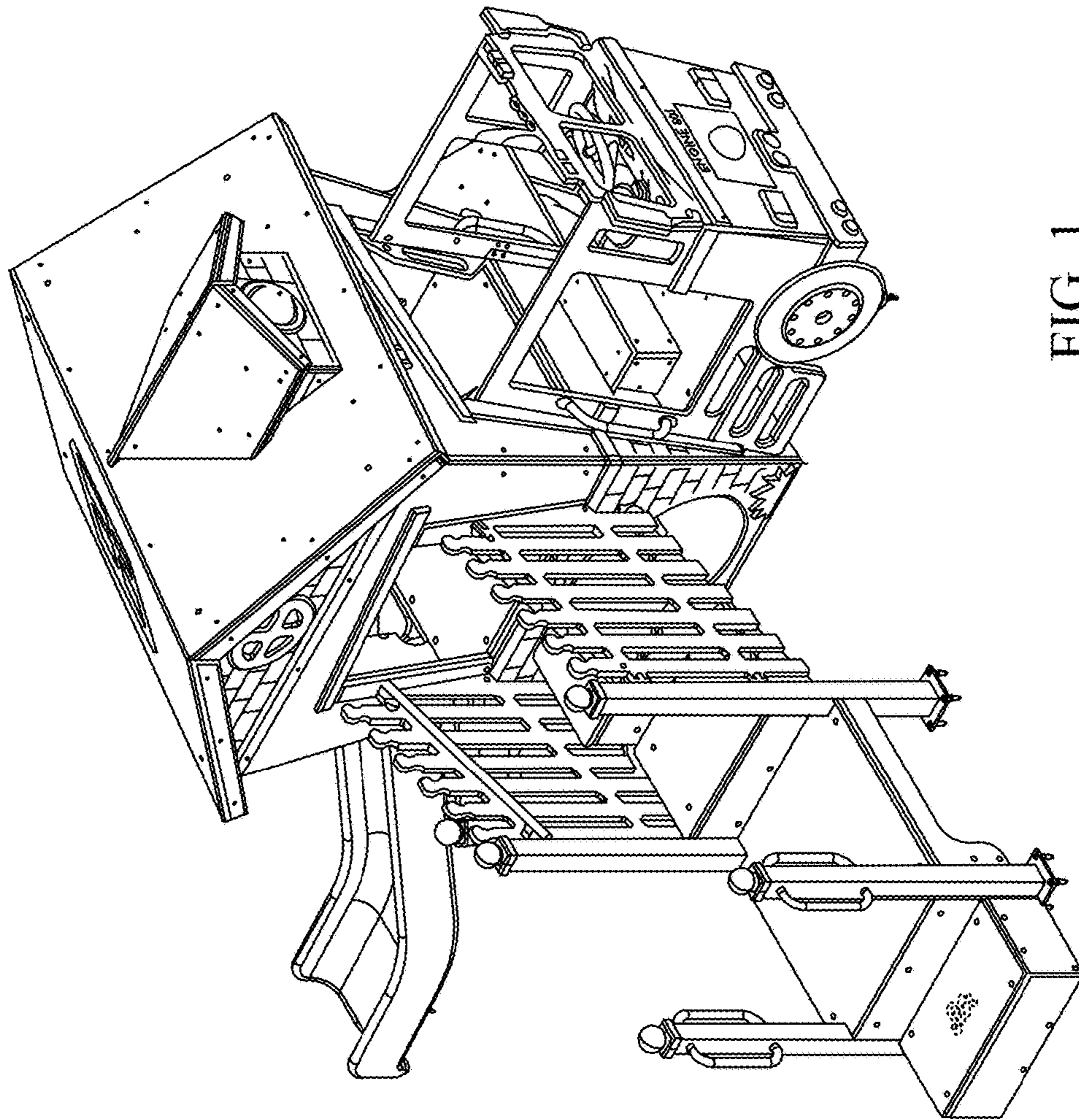


FIG. 1

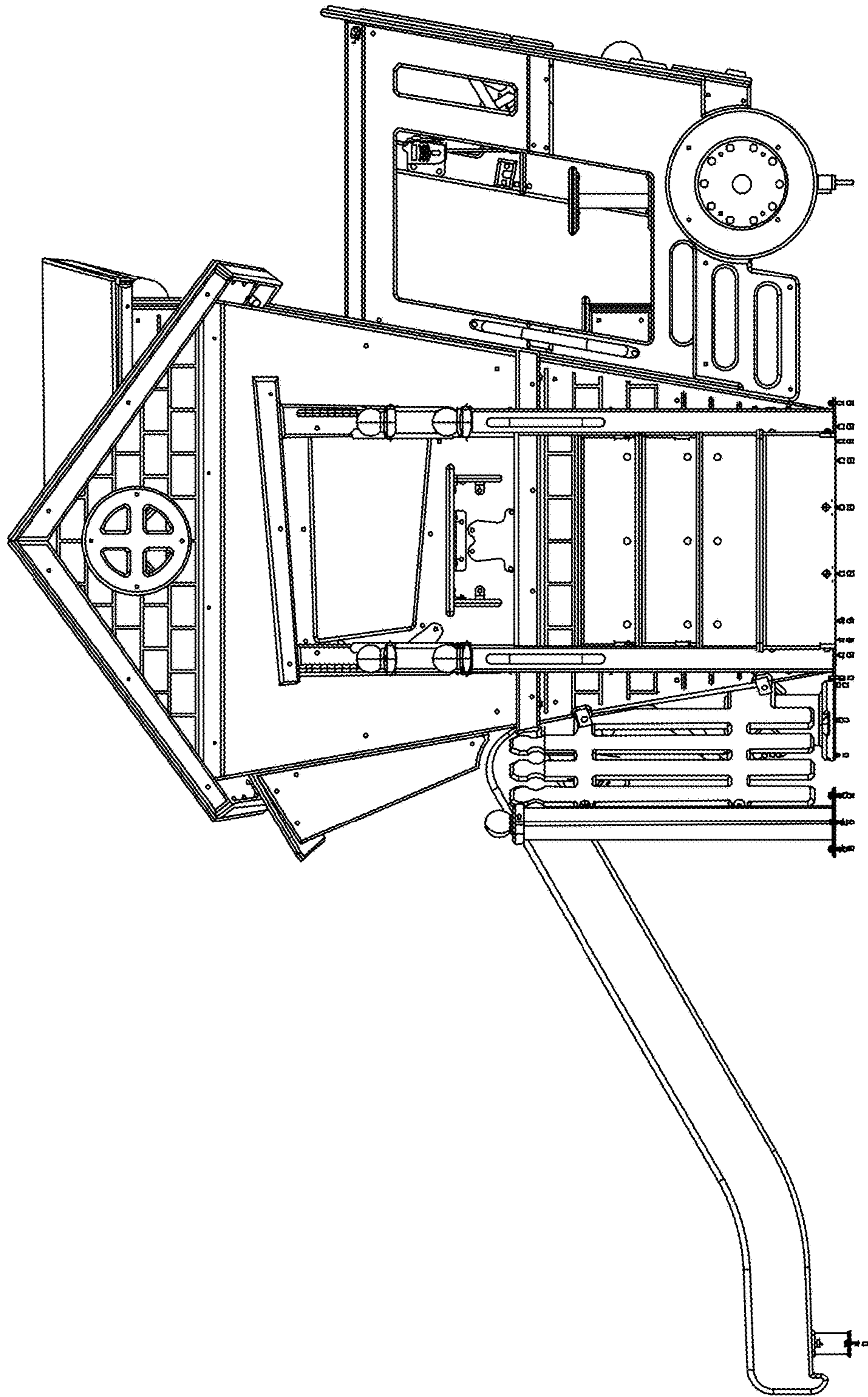
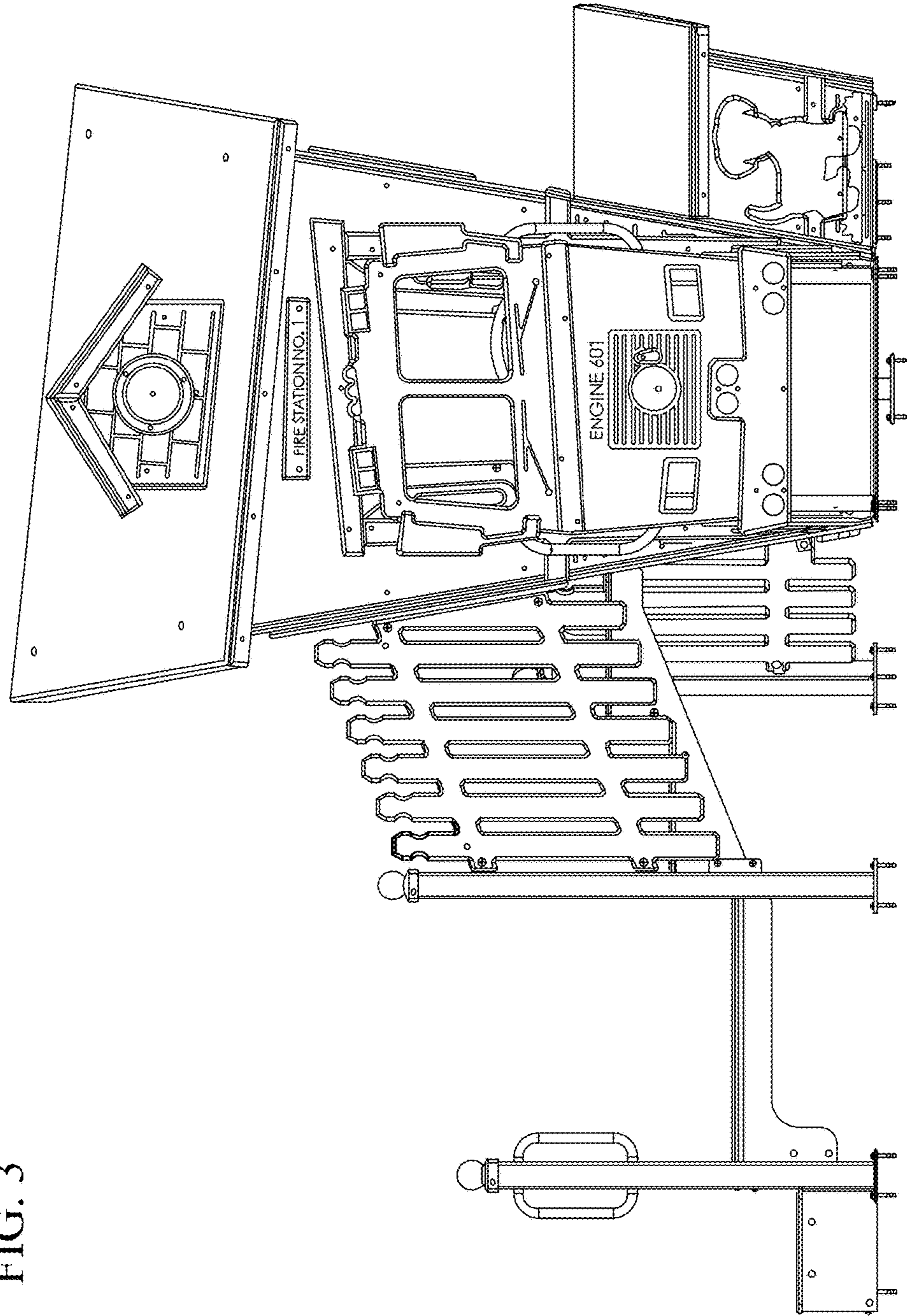


FIG. 2

FIG. 3



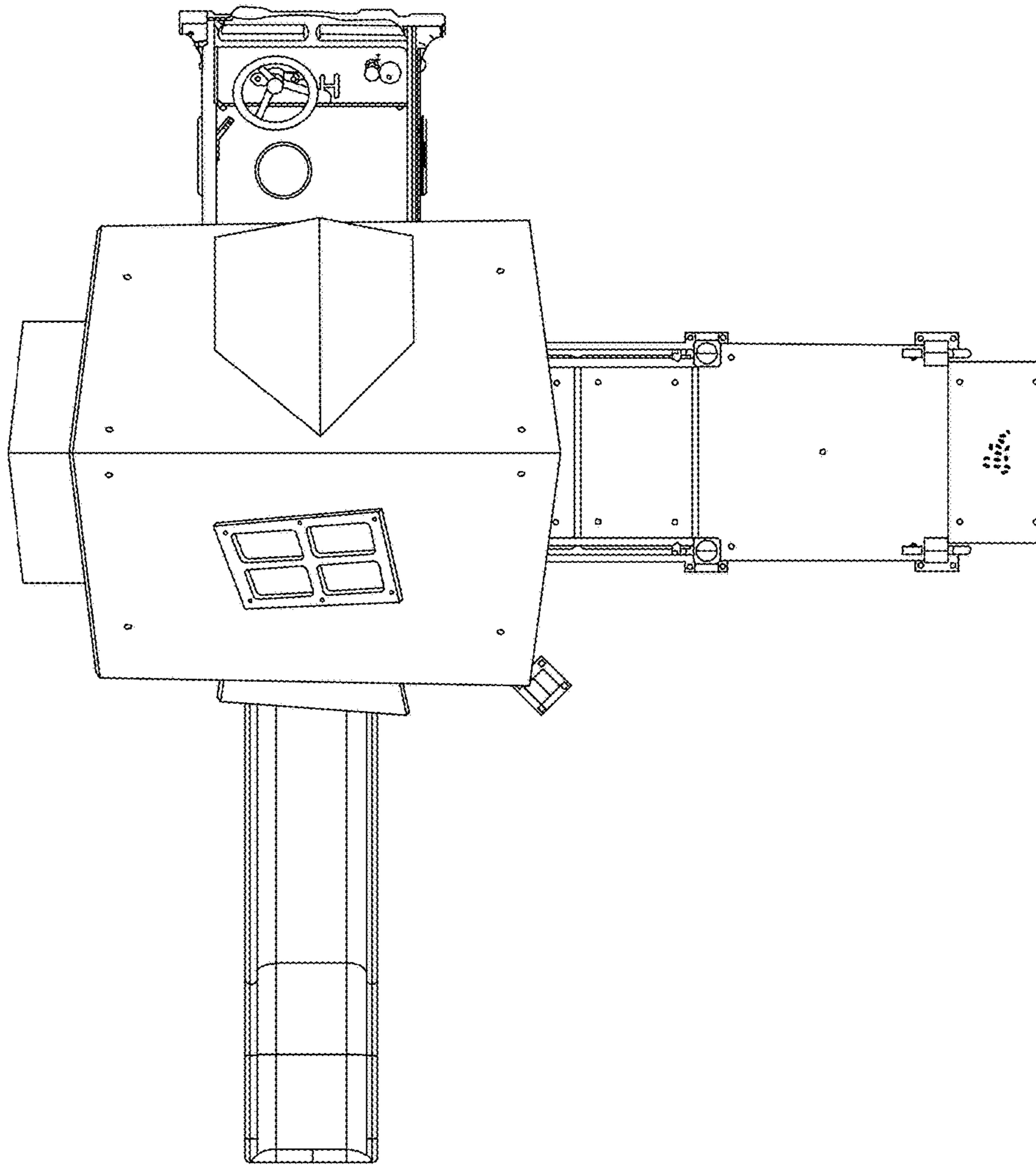


FIG. 4

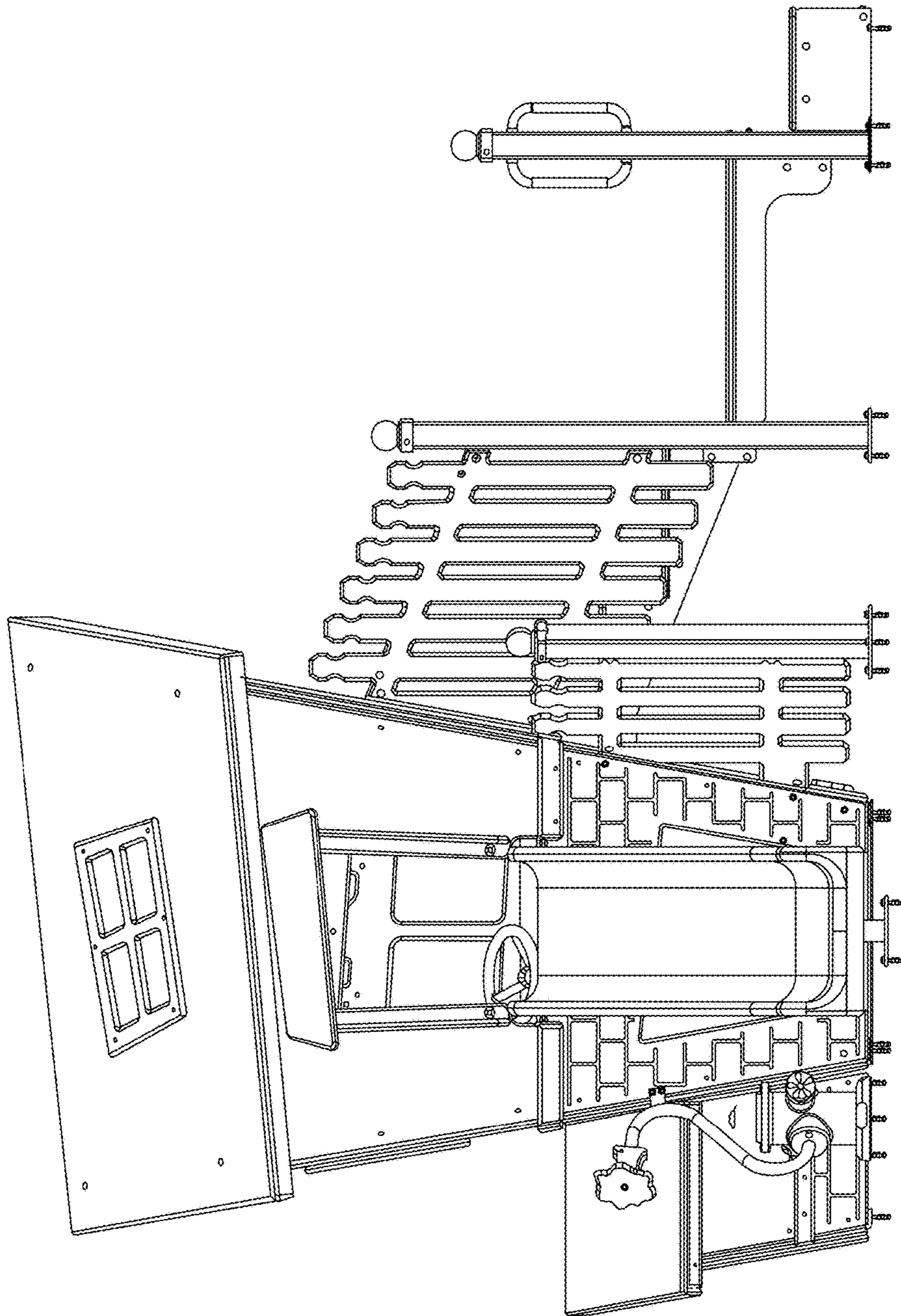


FIG. 5

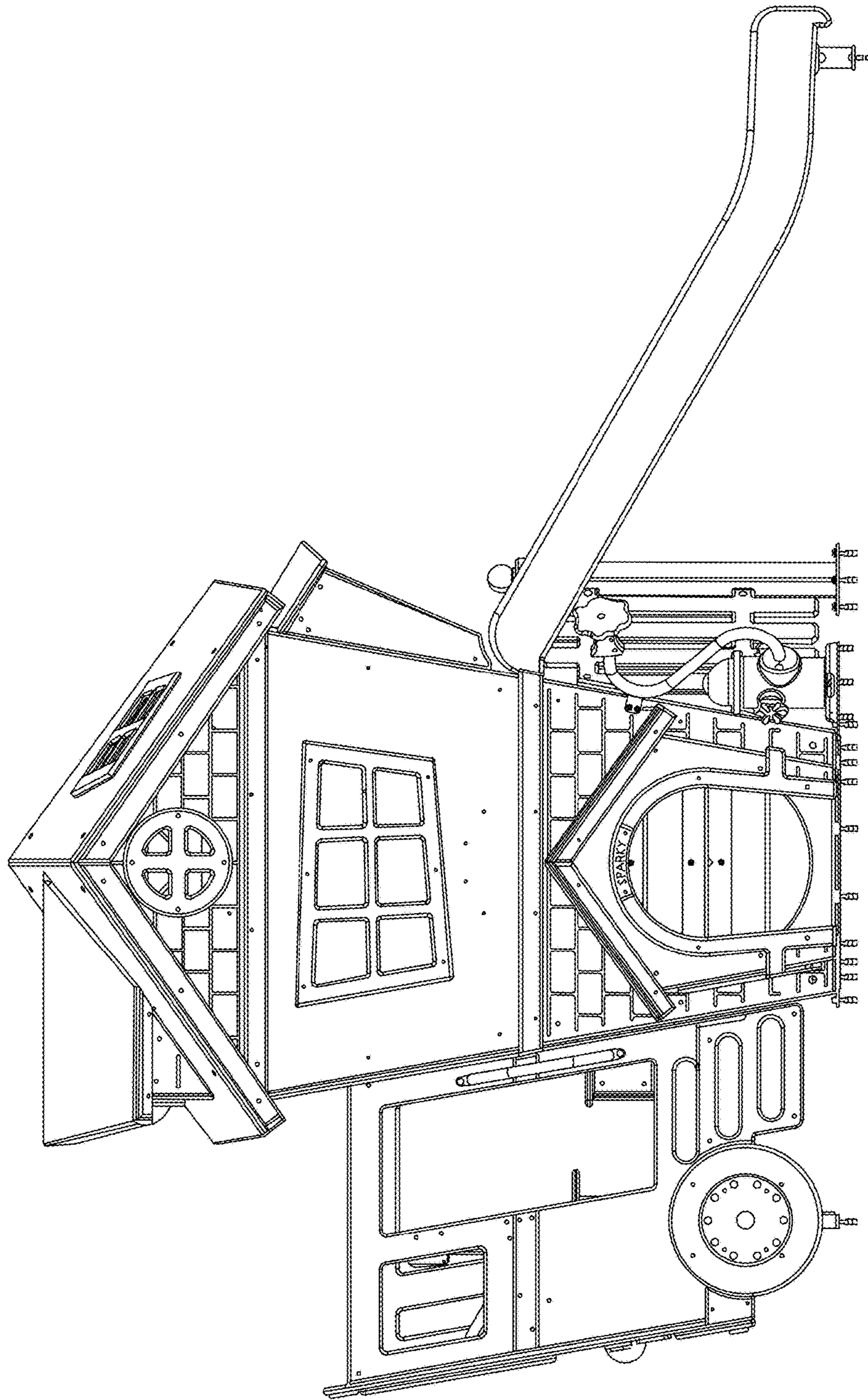


FIG. 6



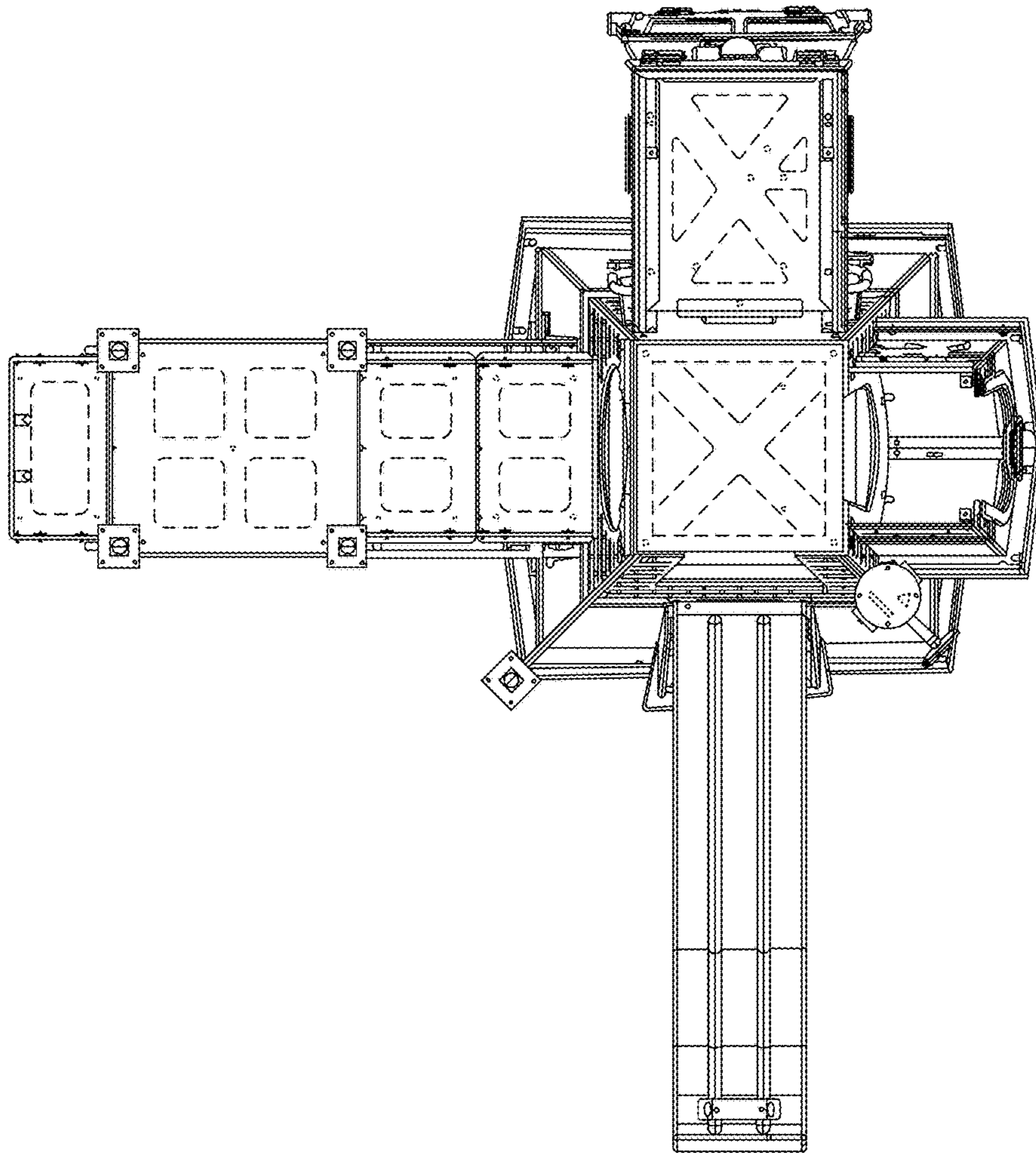


FIG. 7