



US00D859558S

(12) **United States Design Patent** (10) **Patent No.:** **US D859,558 S**
Schwimmer (45) **Date of Patent:** **** Sep. 10, 2019**

(54) **WATERMELON FLOAT**

(71) Applicant: **International Leisure Products, Inc.**,
Edgewood, NY (US)

(72) Inventor: **Larry Schwimmer**, New York, NY
(US)

(73) Assignee: **International Leisure Products, Inc.**,
Edgewood, NY (US)

(**) Term: **15 Years**

(21) Appl. No.: **29/645,892**

(22) Filed: **Apr. 30, 2018**

(51) **LOC (12) Cl.** **21-02**

(52) **U.S. Cl.**
USPC **D21/808**

(58) **Field of Classification Search**
USPC D21/803, 808, 809; D6/588, 596-597;
D1/130, 115, 106; D30/160
CPC A63H 3/06
See application file for complete search history.

(56) **References Cited**

U.S. PATENT DOCUMENTS

3,871,042	A *	3/1975	Farmer	B63B 7/08
					114/346
D287,528	S *	12/1986	Maxwell	D21/803
D315,592	S *	3/1991	Tager	D21/803
5,167,554	A *	12/1992	Tager	B63B 35/76
					222/79
5,476,404	A *	12/1995	Price	A47C 15/006
					441/126
D407,784	S *	4/1999	Peterson	D21/803
D432,199	S *	10/2000	Peterson	D12/316
D476,712	S *	7/2003	Peterson	D21/803
D549,298	S *	8/2007	Peterson	D21/803
8,047,886	B1 *	11/2011	McLarty	B63B 7/06
					114/346

(Continued)

OTHER PUBLICATIONS

Solstice 48" Watermelon 1 Person Towable Tube Inflatable Raft:
Published 2018 [online], site visited Jan. 31, 2019. Available from
Internet URL:https://www.amazon.com/Swimline-Inflatable-Single-
Watermelon-Towable/dp/B078YGP7ZG (Year: 2018).*

(Continued)

Primary Examiner — Jack Reickel

Assistant Examiner — Melvin L Davis

(74) *Attorney, Agent, or Firm* — Ware, Fressola, Maguire
& Barber LLP

(57) **CLAIM**

The ornamental design for an watermelon float, as shown
and described.

DESCRIPTION

FIG. 1 is a perspective view of a watermelon float in
accordance with the invention.

FIG. 2 is a top view of the watermelon float in accordance
with the invention.

FIG. 3 is a bottom view of the watermelon float in accor-
dance with the invention.

FIG. 4 is a first side view of the watermelon float in
accordance with the invention.

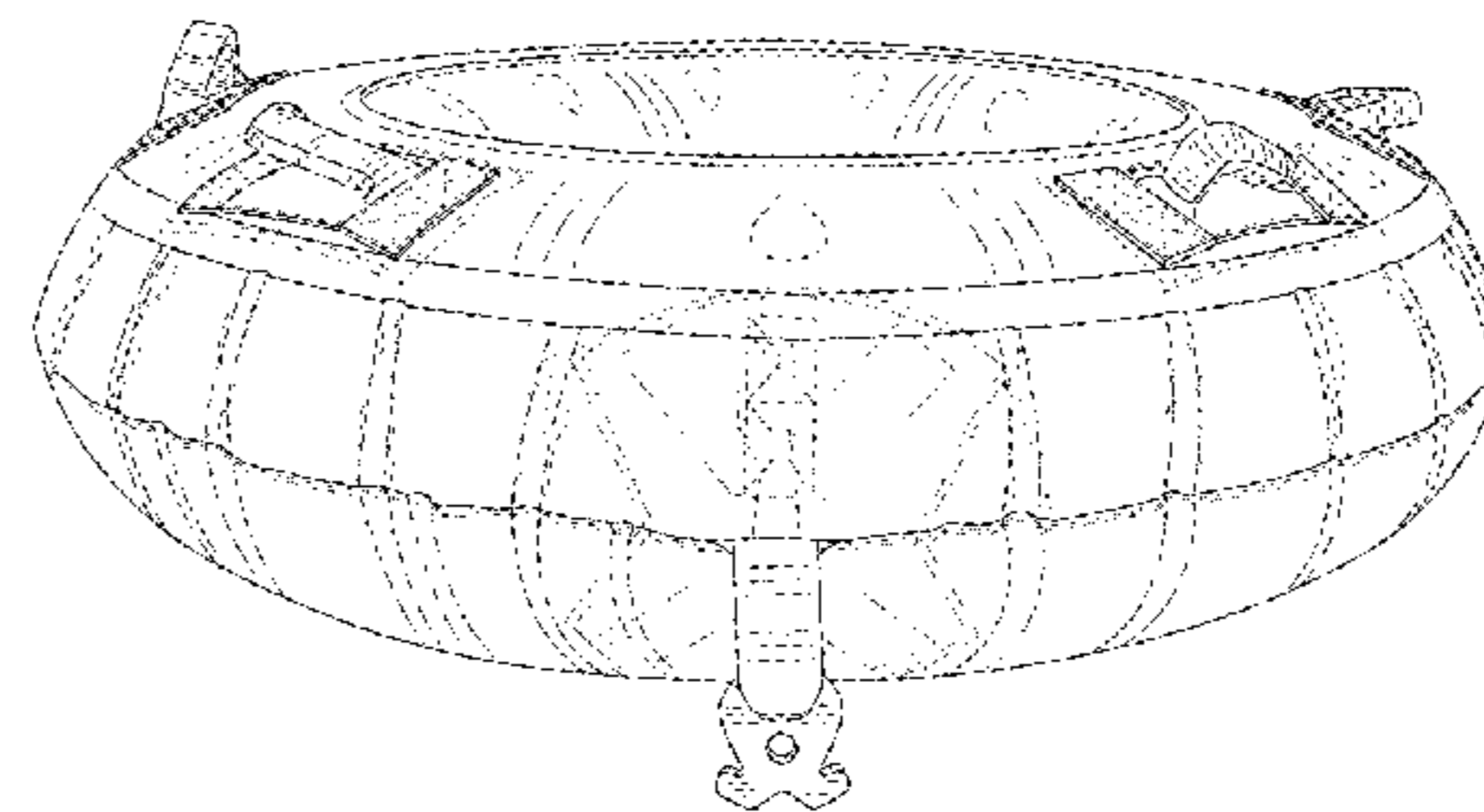
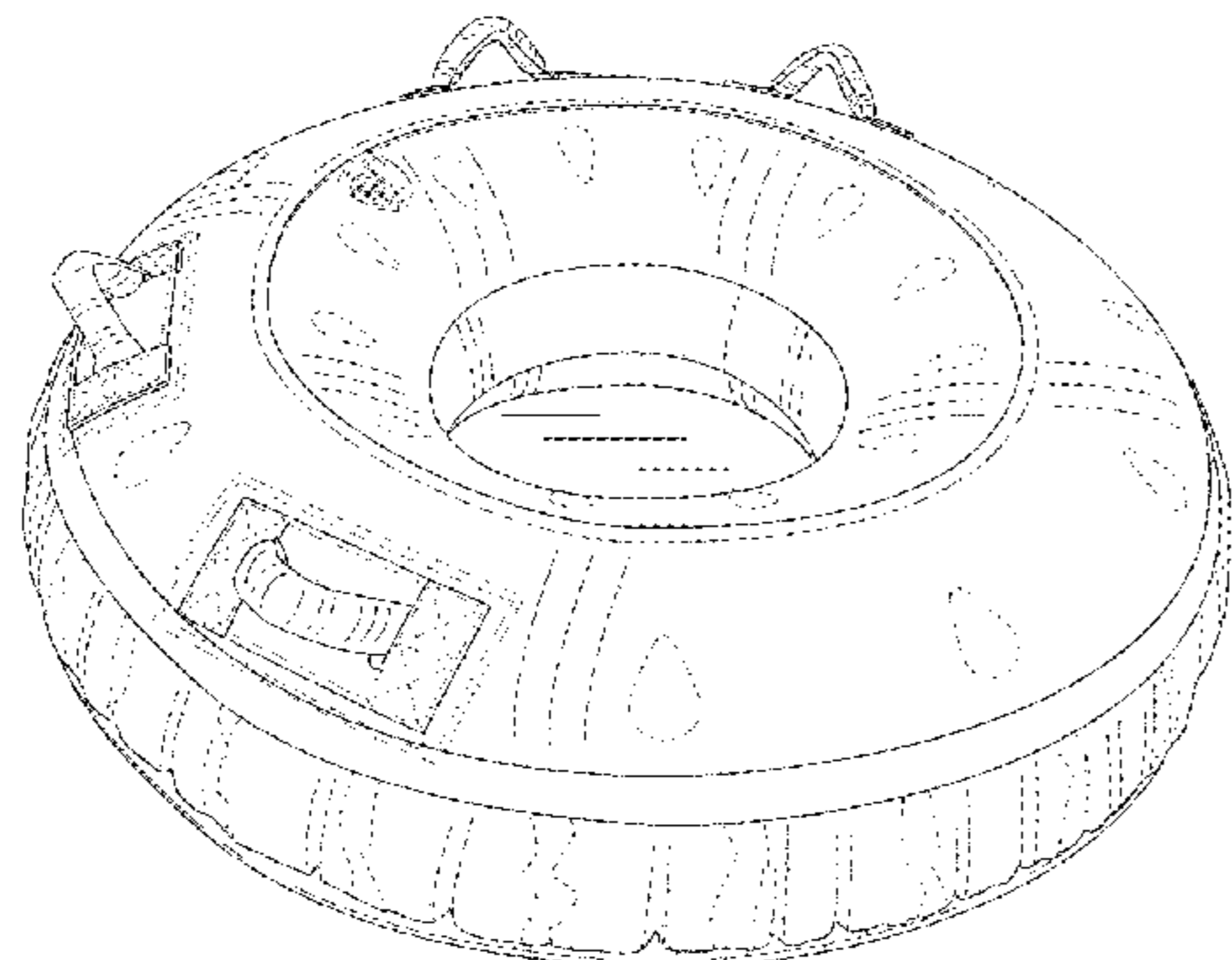
FIG. 5 is a second side view of the watermelon float in
accordance with the invention, wherein the second side is
opposite the first side.

FIG. 6 is a front view of the watermelon float in accordance
with the invention; and,

FIG. 7 is a rear view of the watermelon float in accordance
with the invention.

The larger type broken lines shown in FIGS. 1-7 are of
various surface features of the watermelon float that form no
part of the claimed design. The smaller type broken lines
shown in FIGS. 1-7 represent stitching and are part of the
claimed design.

1 Claim, 6 Drawing Sheets



(56)

References Cited

U.S. PATENT DOCUMENTS

2012/0258841 A1* 10/2012 James A63B 23/1236
482/91

OTHER PUBLICATIONS

Ho Sports Kiwi Towable—2 Person [86620110] Ho Sports: Published Nov. 17, 2017 [online], site visited Jun. 10, 2019. Available from Internet URL: https://www.amazon.com/dp/B0064FZBX6/ref=cm_sw_r_tw_dp_U_x_4-K.Cb35CK40K (Year: 2017).*

O'Brien Le Towable Tube, Red, 1 person O'Brien: Published Mar. 26, 2014 [online], site visited Jun. 10, 2019. Available from Internet URL: https://www.amazon.co.uk/dp/B00FLCKDQI/ref=cm_sw_r_tw_dp_U_x_meL.CbCVR25H5 (Year: 2014).*

* cited by examiner

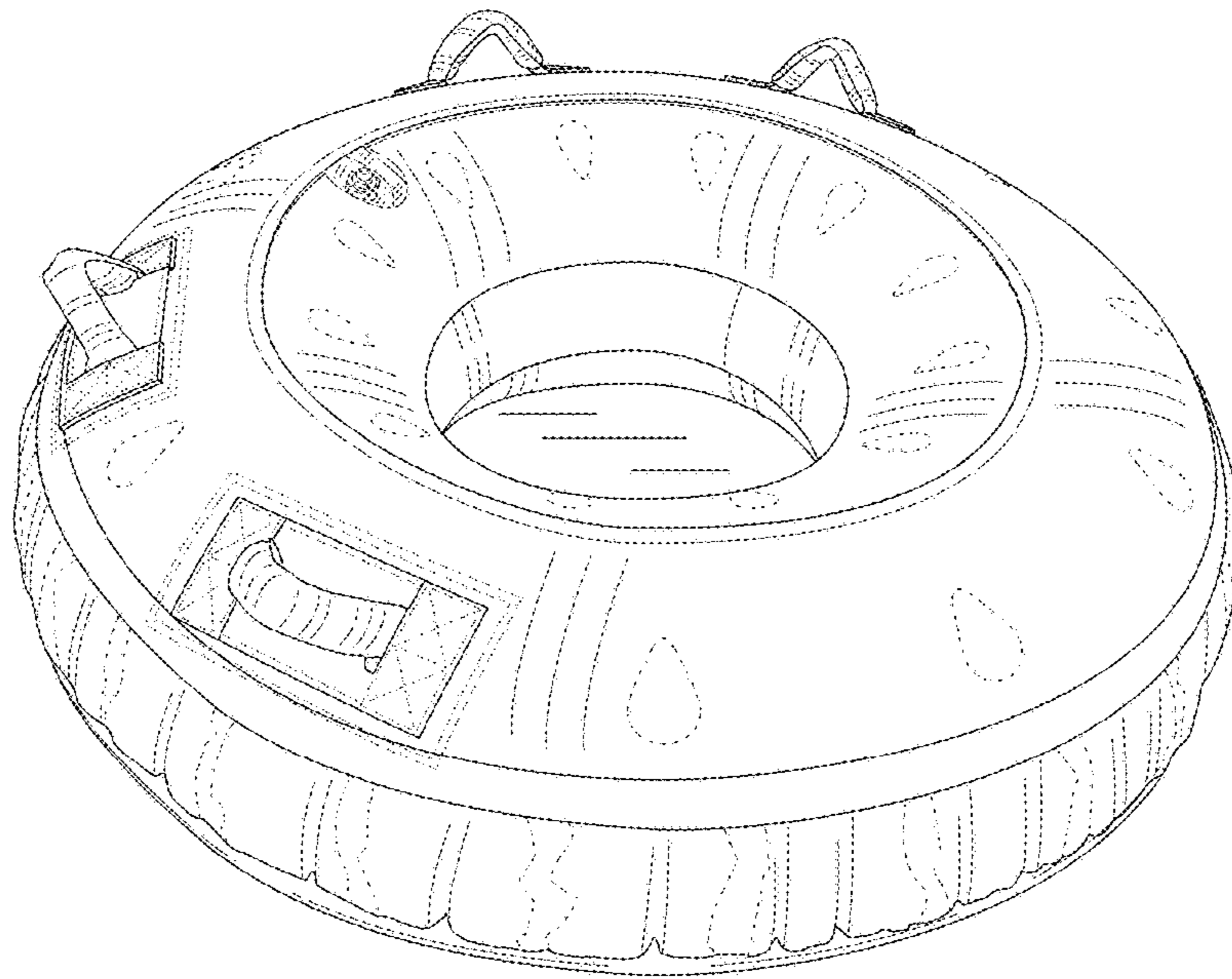


Fig. 1

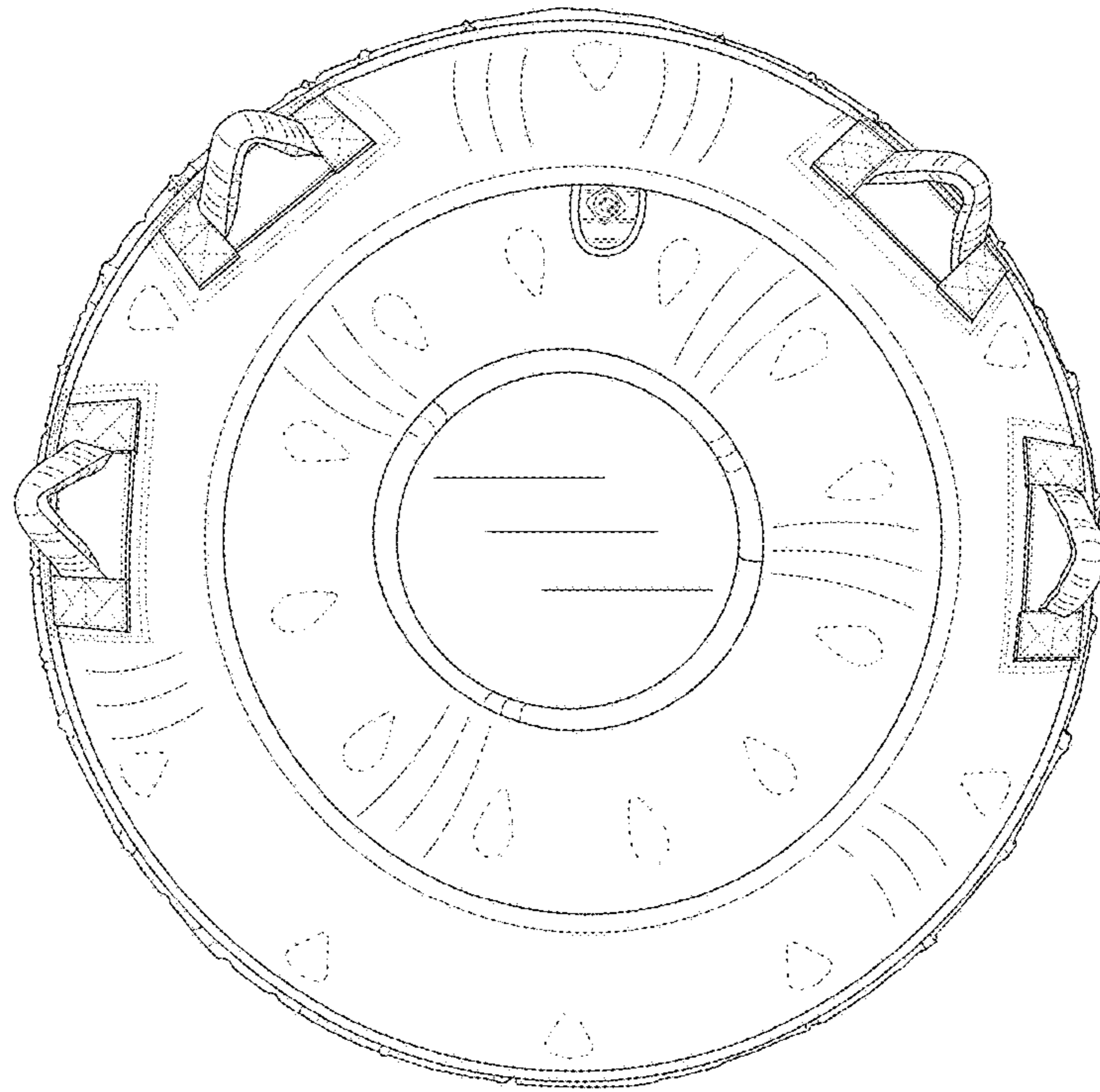


Fig. 2

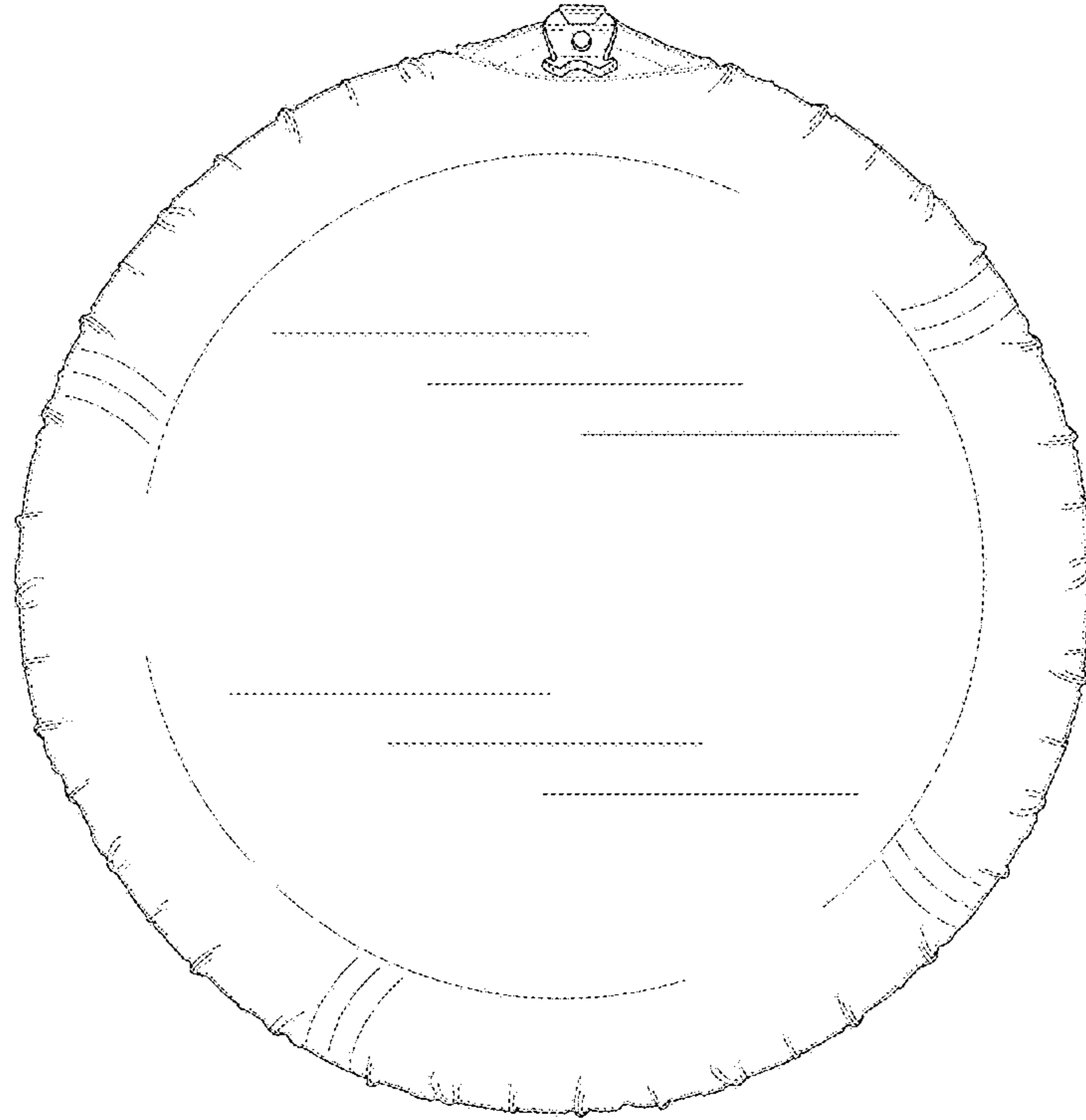


Fig. 3

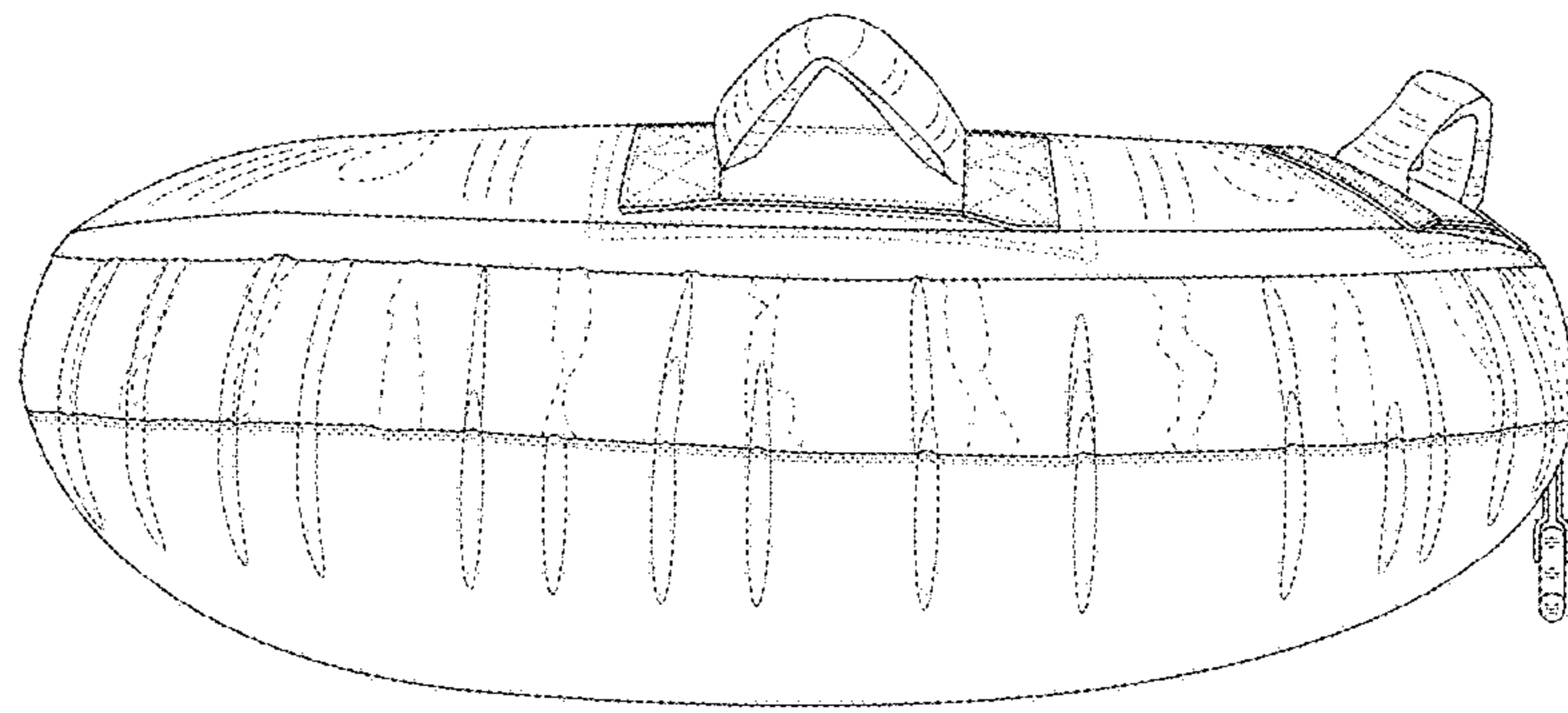


Fig. 4

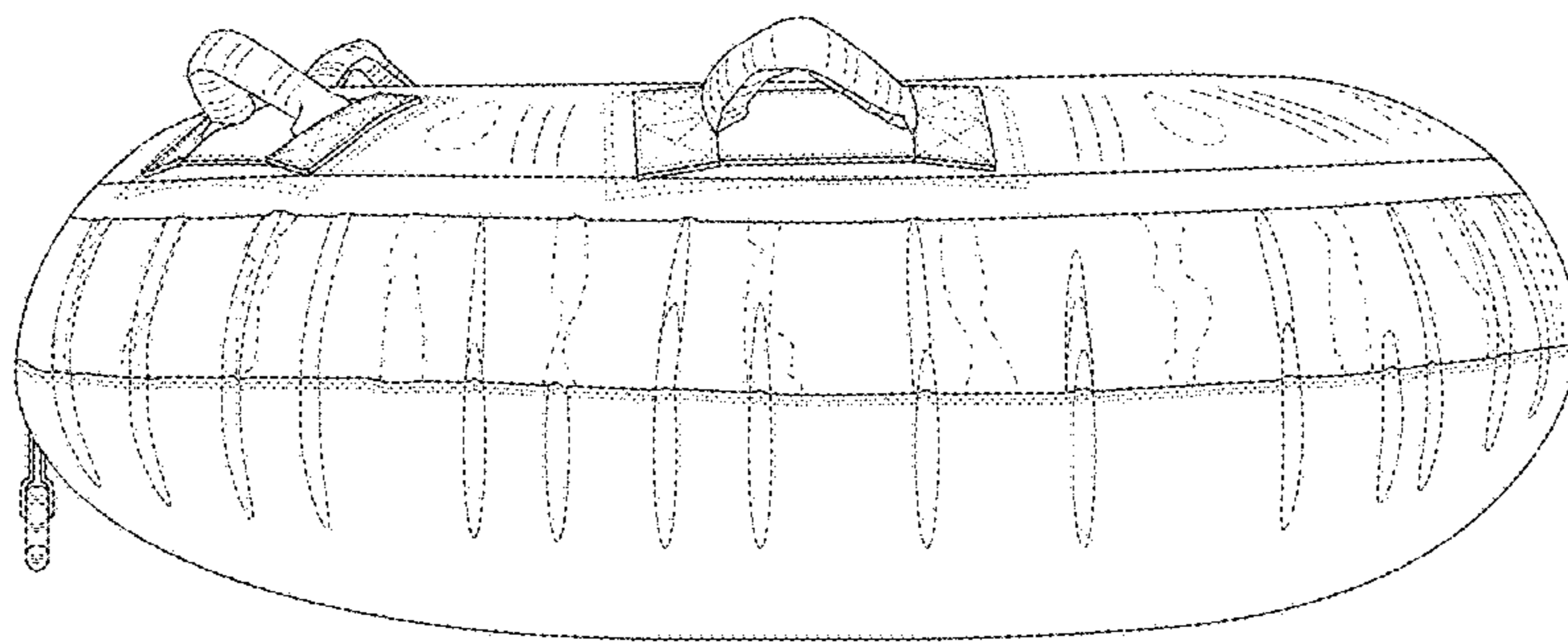


Fig. 5

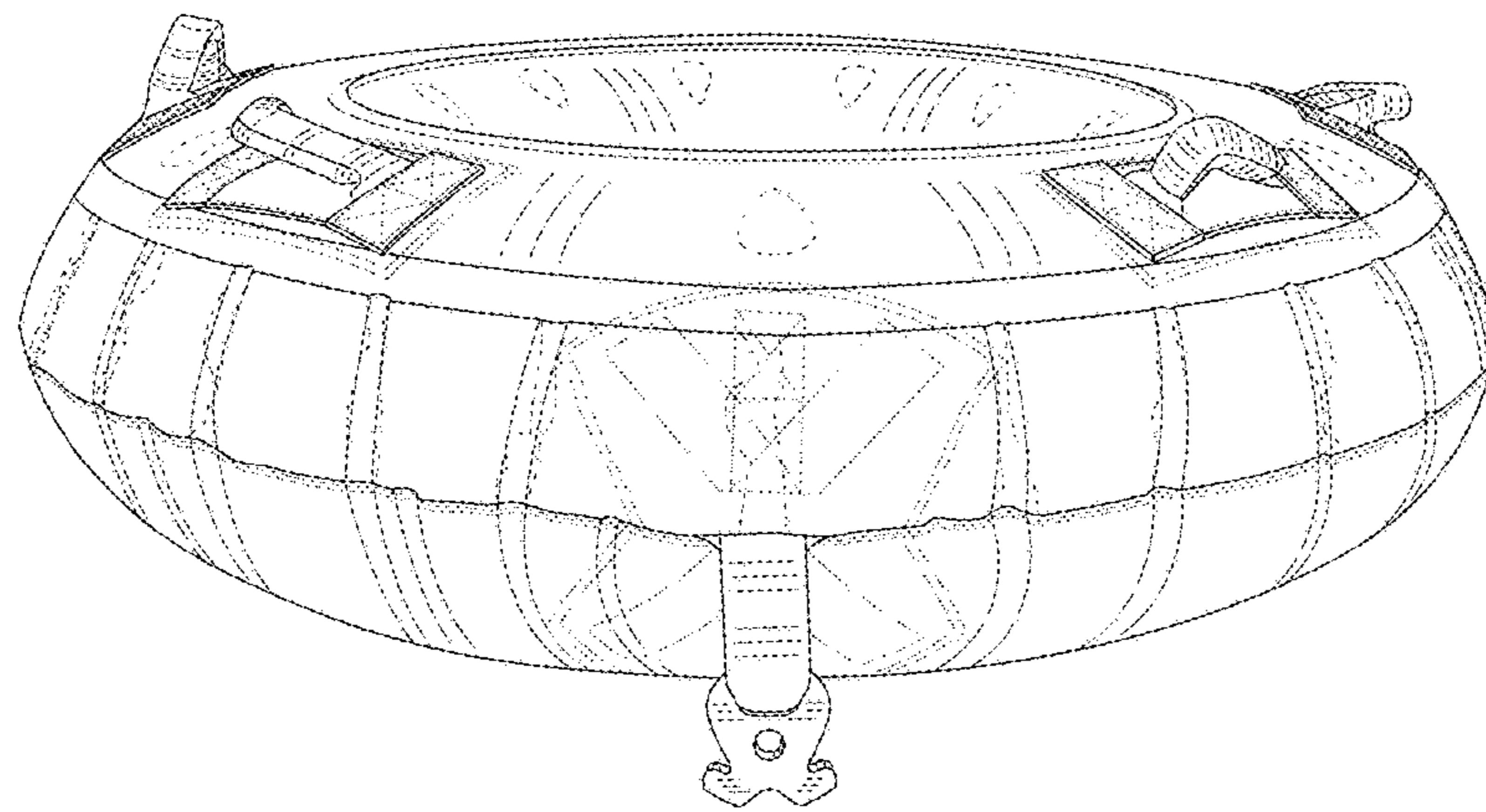


Fig. 6

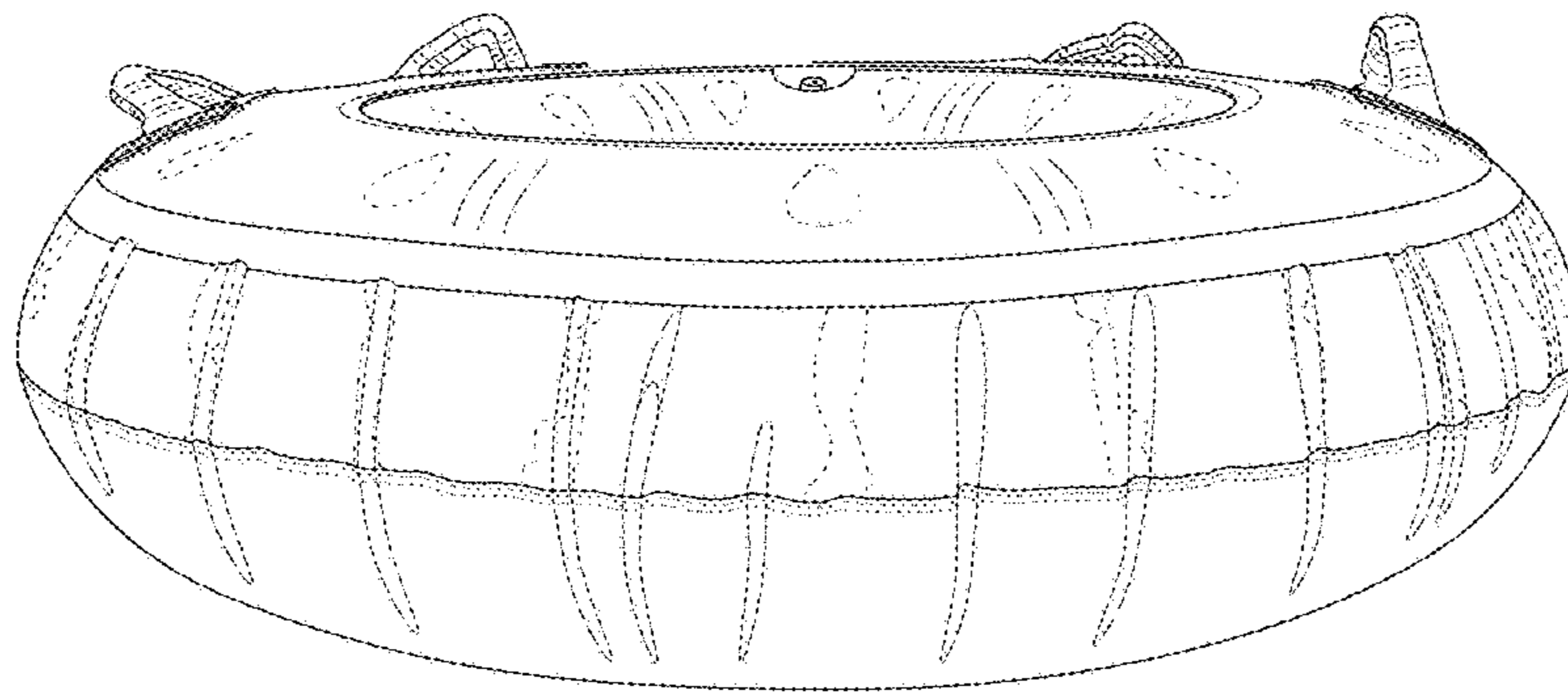


Fig. 7