



(12) **United States Design Patent**
Freund

(10) **Patent No.:** **US D859,555 S**
(45) **Date of Patent:** **** Sep. 10, 2019**

- (54) **PUTTING AID**
- (71) Applicant: **Craig Joseph Freund**, Pittsburgh, PA (US)
- (72) Inventor: **Craig Joseph Freund**, Pittsburgh, PA (US)
- (**) Term: **15 Years**
- (21) Appl. No.: **29/627,962**
- (22) Filed: **Nov. 30, 2017**

5,275,570 A *	1/1994	Hicks	A63B 69/3667 434/252
D366,302 S *	1/1996	Marsh	D21/792
D385,610 S *	10/1997	McDonald	D21/790
D427,267 S *	6/2000	Laperle	D21/791
D436,639 S *	1/2001	Haliyo	D21/791
D446,276 S *	8/2001	Bankhead	D21/791
D487,296 S *	3/2004	Lister	D21/791
D508,547 S *	8/2005	Llewellyn	D21/791
D536,404 S *	2/2007	Lister	D21/791
D568,432 S *	5/2008	Rubino	D21/790
D632,750 S *	2/2011	Callowhill	D21/791
D692,512 S *	10/2013	Fanfelle	D21/791
D717,898 S *	11/2014	Pfaff	D21/791
D732,130 S *	6/2015	Covino	D21/791
9,089,757 B2 *	7/2015	O'Donovan	A63B 69/3641
D794,737 S *	8/2017	Boan	D21/791

Related U.S. Application Data

- (63) Continuation-in-part of application No. 14/607,690, filed on Jan. 28, 2015, now abandoned, which is a continuation-in-part of application No. 13/269,987, filed on Feb. 3, 2012, now abandoned.
- (51) **LOC (12) Cl.** **21-02**
- (52) **U.S. Cl.**
USPC **D21/791**
- (58) **Field of Classification Search**
USPC D21/789, 791
CPC A63B 69/3676; A63B 69/3697; A63B 69/3608; A63B 69/3661; A63B 69/3667; A63B 57/40
See application file for complete search history.

* cited by examiner

Primary Examiner — Mitchell I. Siegel
(74) *Attorney, Agent, or Firm* — Dunlap Bennett & Ludwig PLLC

(57) **CLAIM**

The ornamental design for a putting aid, as shown and described.

DESCRIPTION

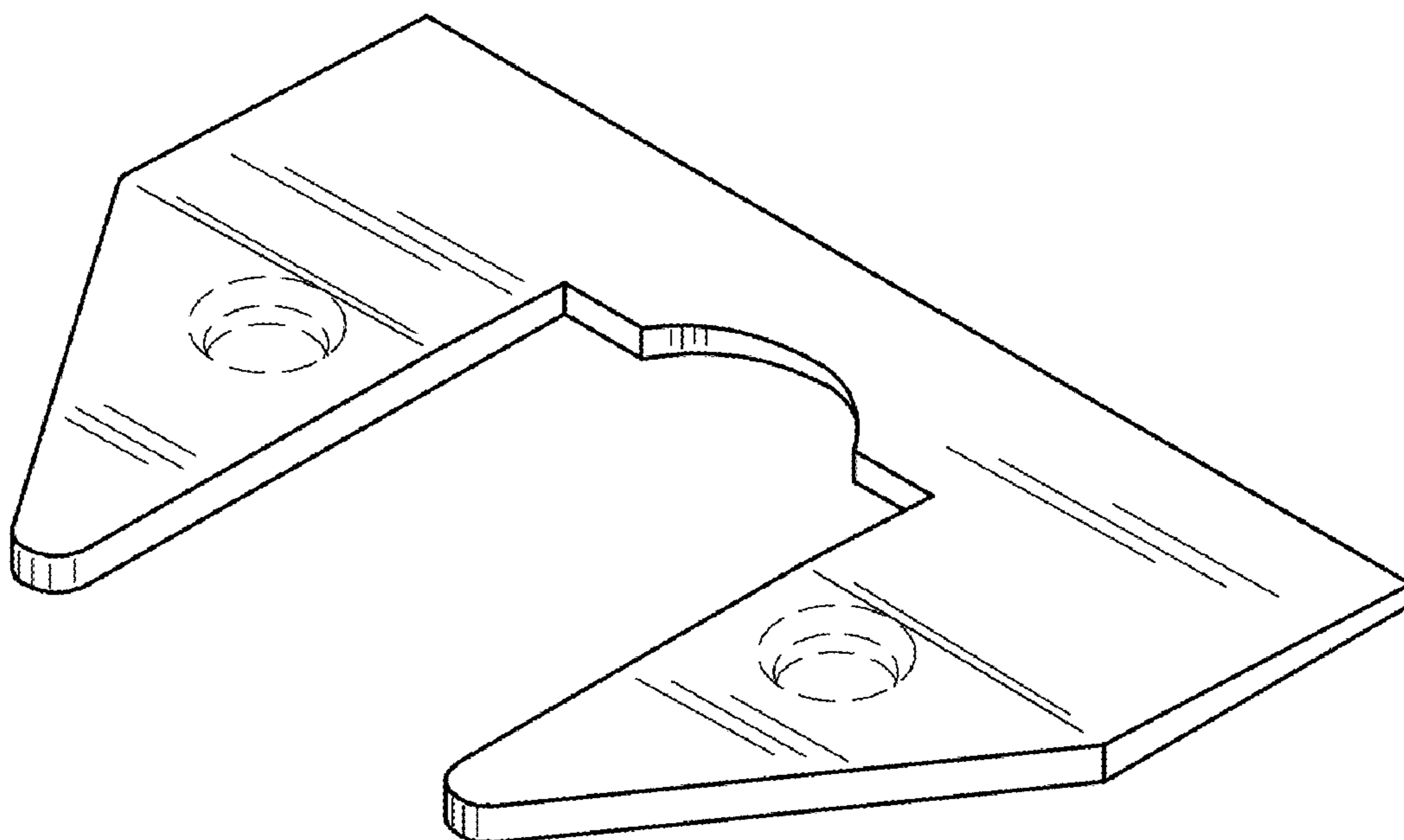
FIG. 1 is a top perspective view of a putting aid; FIG. 2 is a bottom perspective view of FIG. 1; FIG. 3 is a top plan view of FIG. 1; FIG. 4 is a right side elevational view of FIG. 1; the undisclosed left side is a mirror image; FIG. 5 is a bottom plan view of FIG. 1; FIG. 6 is a front elevational view of FIG. 1; and, FIG. 7 is a rear elevational view of FIG. 1. The broken lines shown in the drawings depict tee openings that form no part of the claimed invention.

1 Claim, 2 Drawing Sheets

(56) **References Cited**

U.S. PATENT DOCUMENTS

D237,633 S *	11/1975	Weber	D21/790
D332,816 S *	1/1993	Tarver	D21/791
5,205,559 A *	4/1993	Plopper	A63B 63/00 273/127 B
D338,940 S *	8/1993	Pellington	D21/792



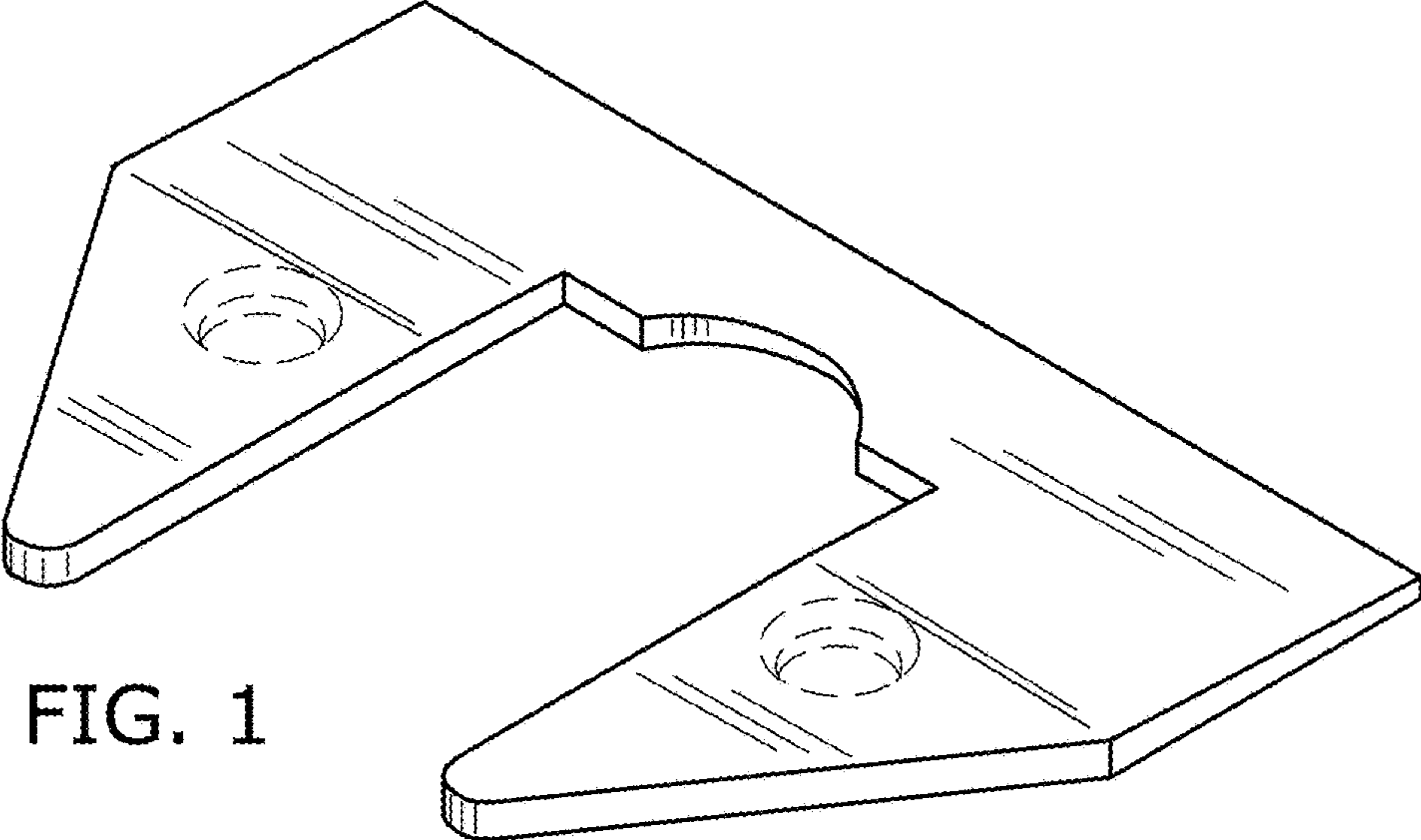


FIG. 1

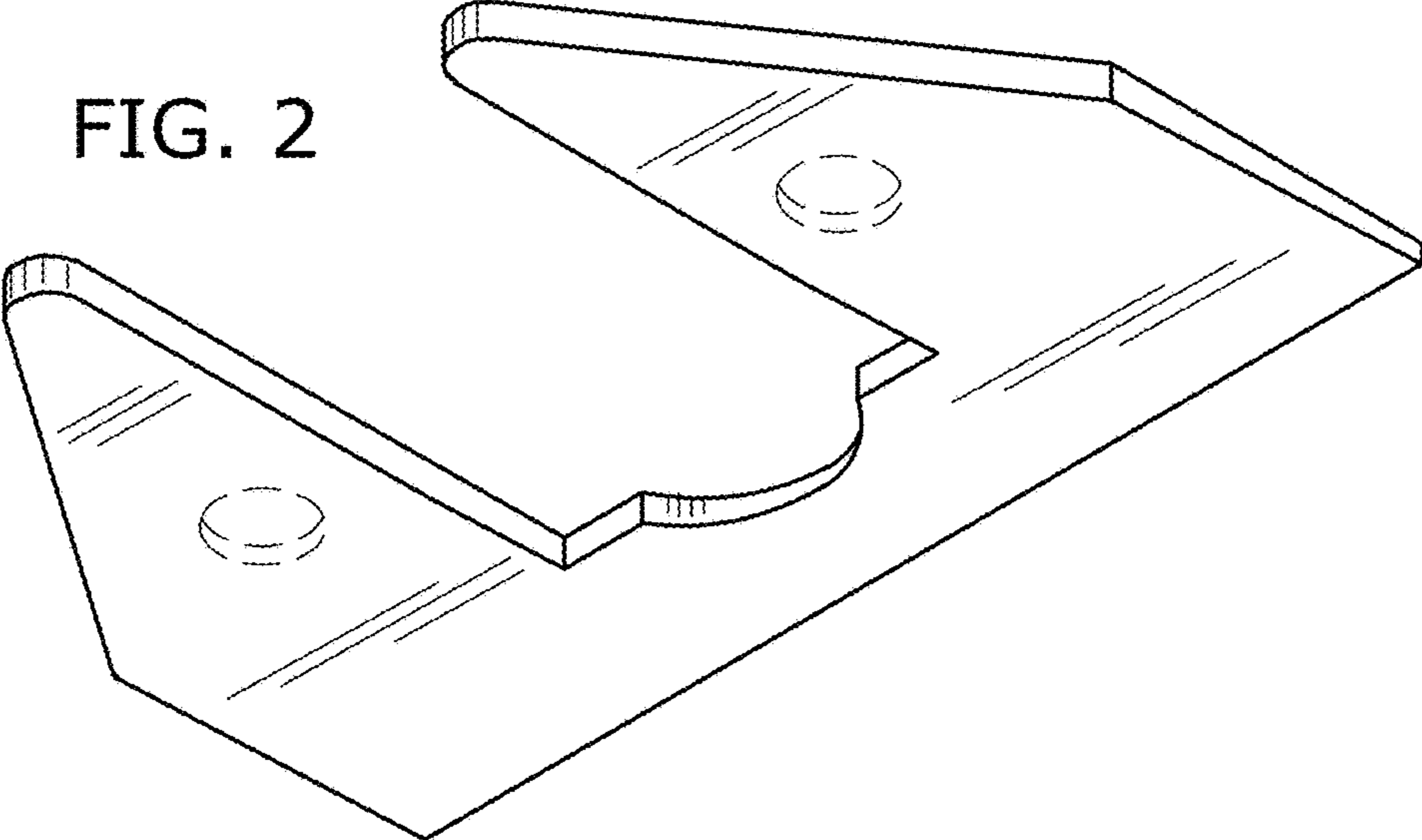


FIG. 2

FIG. 6

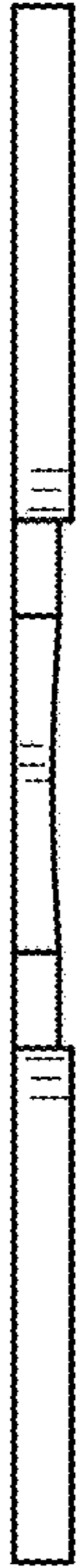


FIG. 3

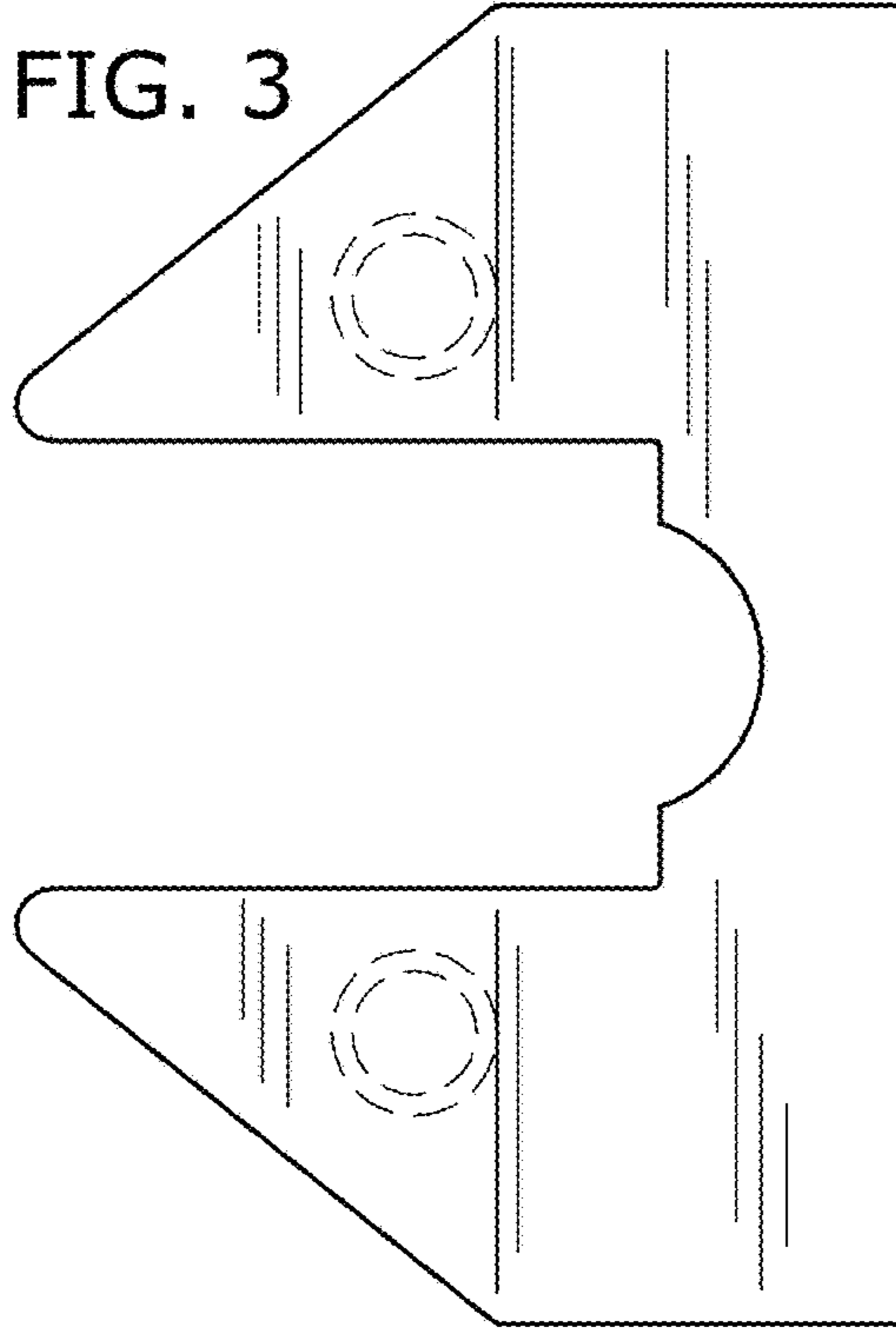


FIG. 4

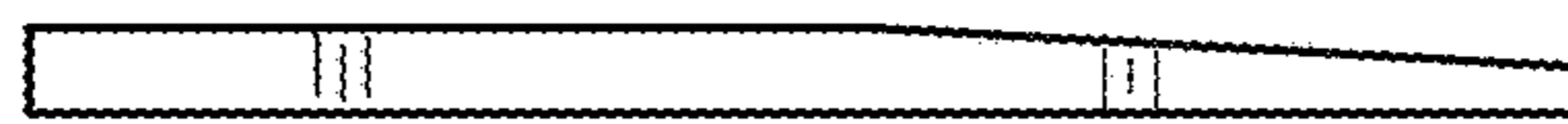


FIG. 5

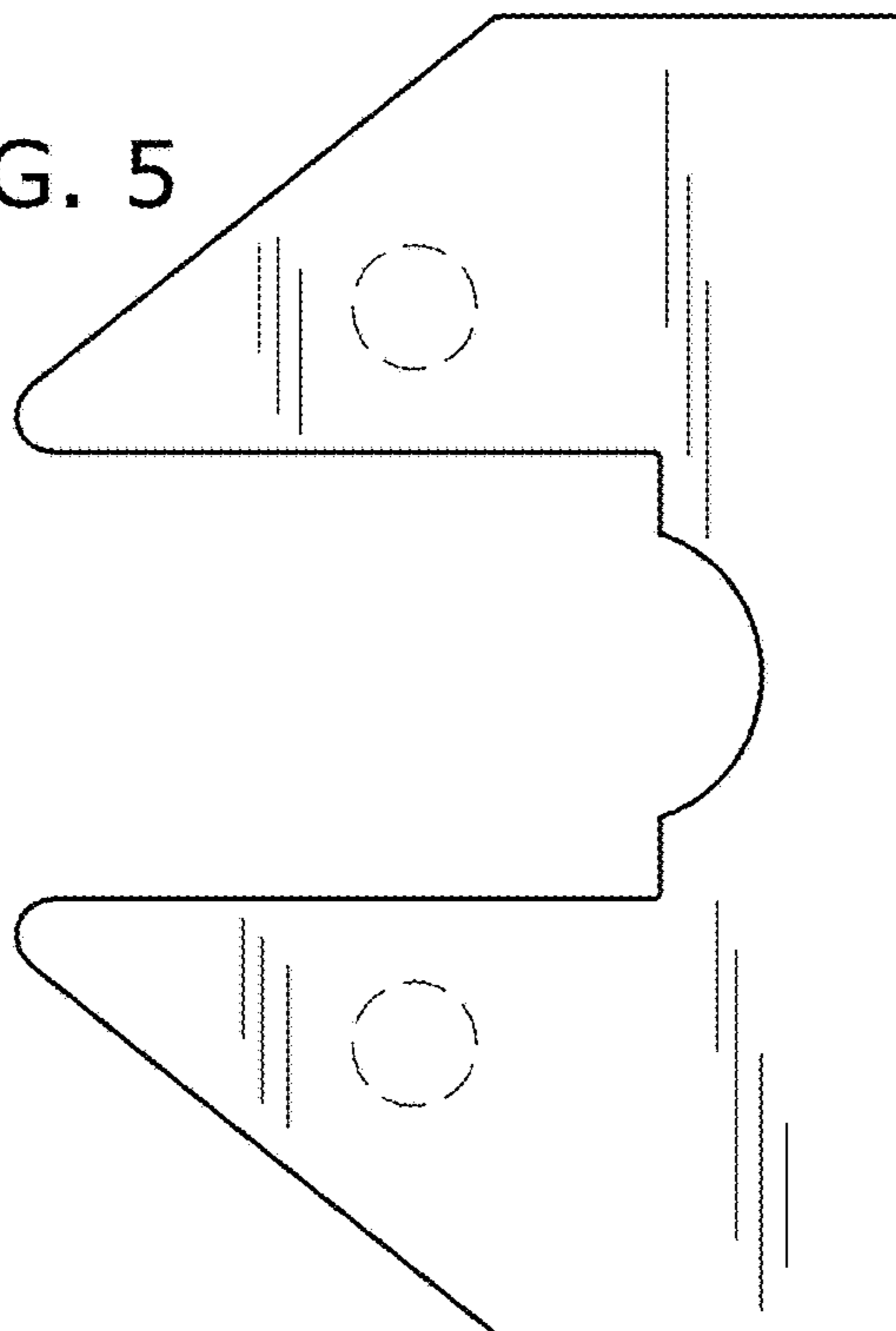


FIG. 7

