



US00D859554S

(12) **United States Design Patent**  
**Rogers**

(10) **Patent No.:** **US D859,554 S**

(45) **Date of Patent:** **\*\* Sep. 10, 2019**

(54) **TRAINING APPARATUS FOR THROWING A BASEBALL**

(71) Applicant: **Michael Scott Rogers**, Irvine, CA (US)

(72) Inventor: **Michael Scott Rogers**, Irvine, CA (US)

(\*\*) Term: **15 Years**

(21) Appl. No.: **29/602,123**

(22) Filed: **Apr. 28, 2017**

(51) **LOC (12) Cl.** ..... **21-02**

(52) **U.S. Cl.**

USPC ..... **D21/780**; D21/715

(58) **Field of Classification Search**

USPC ..... D21/303, 385, 392, 698, 715, 719, 720, D21/721, 722, 723, 754, 759, 780, 796; D2/610-612, 622, 639, 860, 911, 920, D2/943, 946, 980, 993; D29/100, D29/113-123; D24/188, 189, 190, 192, D24/193, 199; D32/1, 29.1, 30, 36, 37, D32/74, 40, 42, 52; D30/144-146, 151, D30/161, 162; D27/102-105, 172-193; D28/5, 8, 20, 63, 73; D22/119, 122, 135, D22/136; D9/702-714; D3/11, 20, 23, D3/200-202, 205-207, 212, 215, 218, D3/219-230, 232, 243, 244, 247-254, D3/256, 257, 259, 260-267, 273, 393, D3/399, 300, 303, 329; D11/143, 146, D11/148, 155, 164; 2/16, 19, 158, 161.1, 2/59, 917, 309, 322; 150/154, 160, 161, 150/163; 119/850-853; 602/3, 60-63, 602/78; 128/869, 873, 878, 879, 880, 128/882; 473/422, 423, 430, 451, 458, 473/464

CPC ..... A63B 47/001; A63B 59/20; A63B 69/002; A63B 69/0059; A63B 69/0086; A63B 69/38; A63B 2069/006; A63B 2069/0008; A63B 2069/0075; A63B 71/14; A63B 2225/09; A63B 2102/18; A63B 69/0002; A63B 65/12; A41D 13/08-088; A41D

13/00; A41D 13/0012; A41D 13/0015; A41D 13/0568; A41D 13/087; A41D 13/1236; A41D 13/1245; A41D 13/1254; A41D 13/1272; A41D 13/129; A41D 19/0041; A41D 19/0048; A41D 19/01; A41D 2300/30; A41D 2300/322; A41D 2300/33; A41D 2600/10; A61F 15/004

See application file for complete search history.

(56) **References Cited**

U.S. PATENT DOCUMENTS

2,137,563 A \* 11/1938 Caraway ..... A41F 19/00  
184/27.1  
D215,343 S \* 9/1969 Christie ..... D32/36  
3,741,203 A \* 6/1973 Liman ..... A61F 15/004  
602/3

(Continued)

FOREIGN PATENT DOCUMENTS

JP 08266697 A \* 10/1996  
JP 11244438 A \* 9/1999

*Primary Examiner* — Catherine A Tuttle

(74) *Attorney, Agent, or Firm* — Dunlap Bennett & Ludwig PLLC

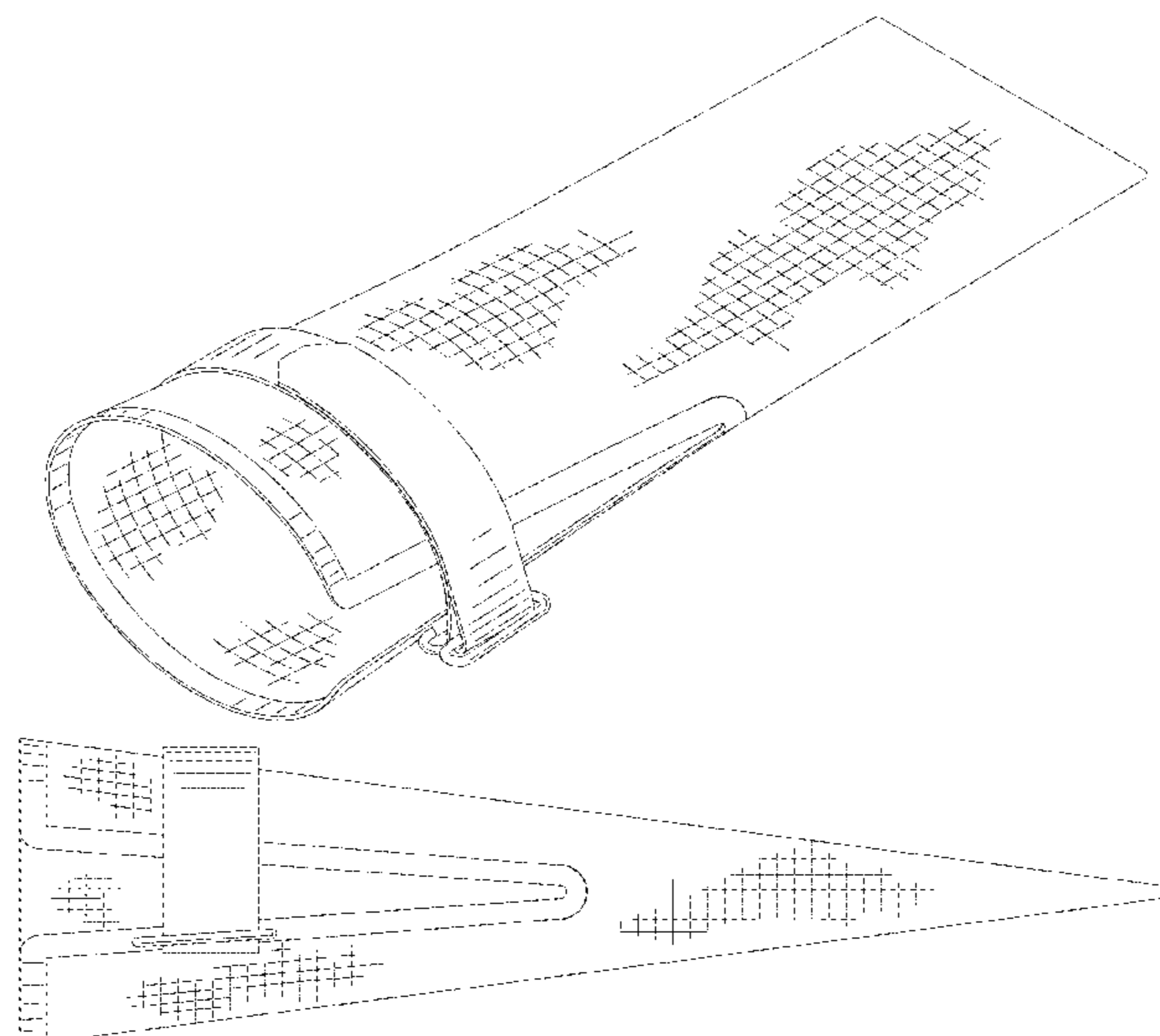
(57) **CLAIM**

The ornamental design for a training apparatus for throwing a baseball, as shown and described.

**DESCRIPTION**

FIG. 1 is a top front perspective view of a training apparatus; FIG. 2 is a front elevation view thereof; FIG. 3 is a rear elevation view thereof; FIG. 4 is a right side elevation view thereof; FIG. 5 is a left side elevation view thereof; FIG. 6 is a top elevation view thereof; and, FIG. 7 is a bottom elevation view thereof.

**1 Claim, 4 Drawing Sheets**



(56)

References Cited

U.S. PATENT DOCUMENTS

3,831,467 A *	8/1974	Moore	.....	A61F 5/0109	602/26	8,191,172 B2 *	6/2012	Polanish	.....	A41D 13/0015	2/244
D265,432 S *	7/1982	Desnick	.....	D28/63		D675,383 S *	1/2013	Shamis	.....	D29/120.1	
4,477,075 A *	10/1984	Outman	.....	A63B 69/0086	473/458	D740,565 S *	10/2015	Ludeman	.....	D3/290	
5,214,799 A *	6/1993	Fabry	.....	A41D 19/01523	2/161.6	D746,393 S *	12/2015	Voelkel	.....	D21/780	
D359,835 S *	7/1995	Hadfield	.....	D2/610		D756,595 S *	5/2016	Leggett	.....	D2/622	
5,704,066 A *	1/1998	Yamamoto	.....	A41D 19/015	2/160	2009/0038098 A1 *	2/2009	Chareyron	.....	A47L 13/18	15/227
5,882,320 A *	3/1999	Peterson	.....	A61F 13/041	128/876	2011/0152012 A1 *	6/2011	Dowdell	.....	A63B 69/0002	473/423
D423,596 S *	4/2000	Morrison	.....	D21/754		2011/0172036 A1 *	7/2011	Suppan	.....	A63B 69/0002	473/458
D487,171 S *	2/2004	Miller	.....	D29/120.1		2012/0052990 A1 *	3/2012	Arnold	.....	A63B 69/0002	473/458
D588,704 S *	3/2009	Duplessie	.....	D24/190		2013/0244815 A1 *	9/2013	Kuo	.....	A63B 69/0002	473/458
D638,547 S *	5/2011	Peavey	.....	D24/190		2015/0343287 A1 *	12/2015	Stover	.....	A63B 69/0002	473/458
						2016/0206941 A1 *	7/2016	Voelkel	.....	A63B 69/0002	

\* cited by examiner

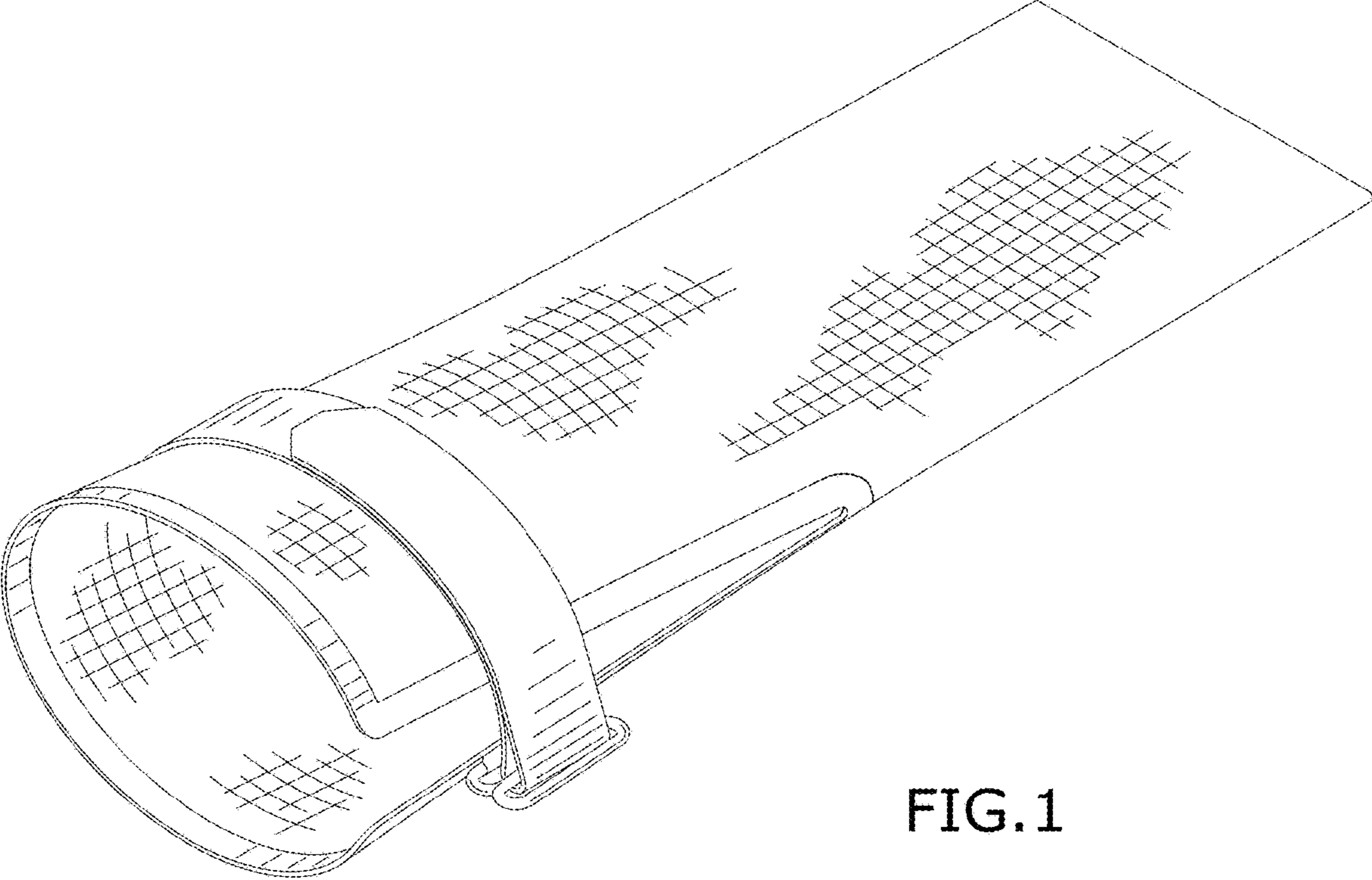


FIG. 1

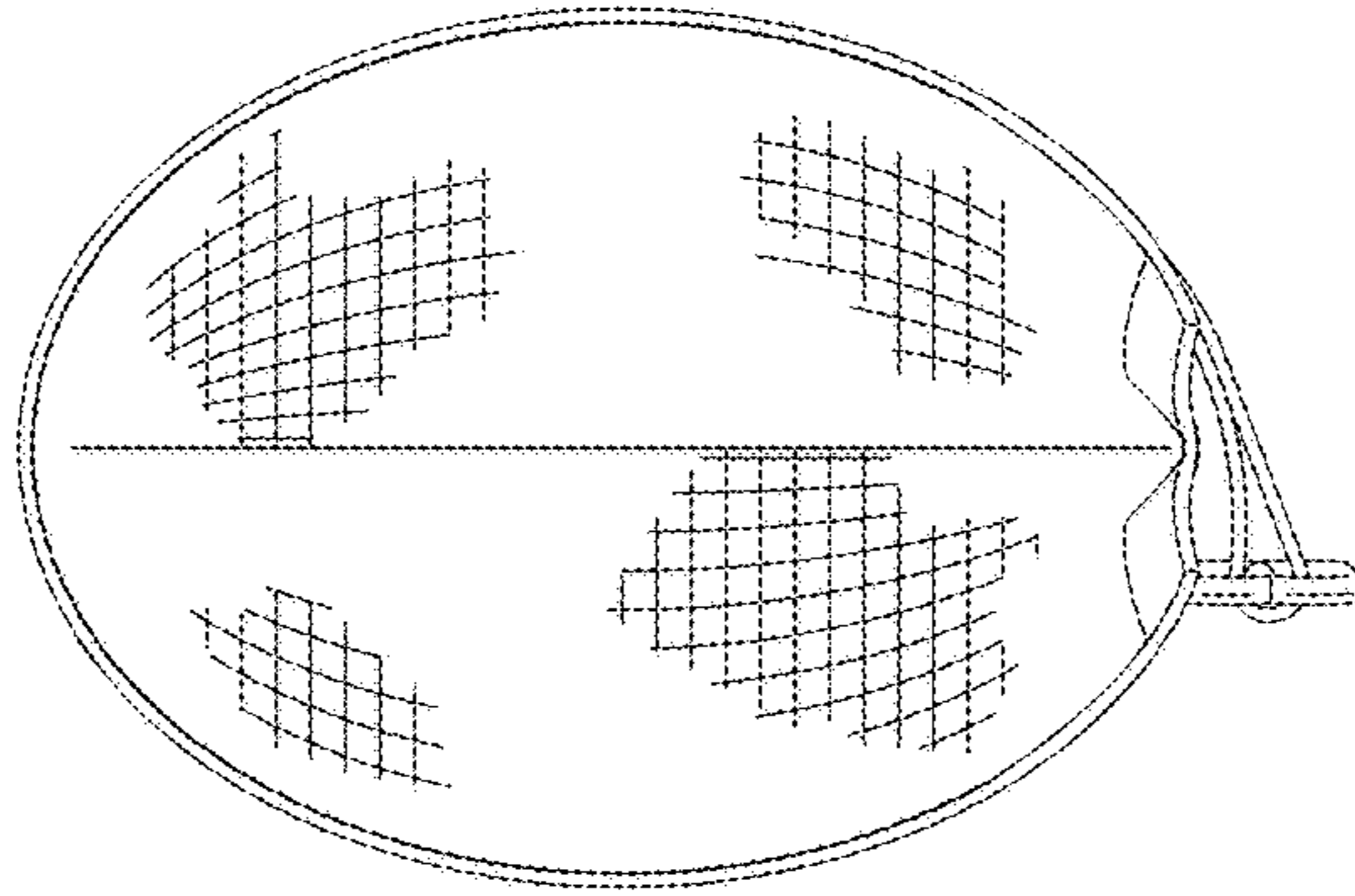


FIG. 2

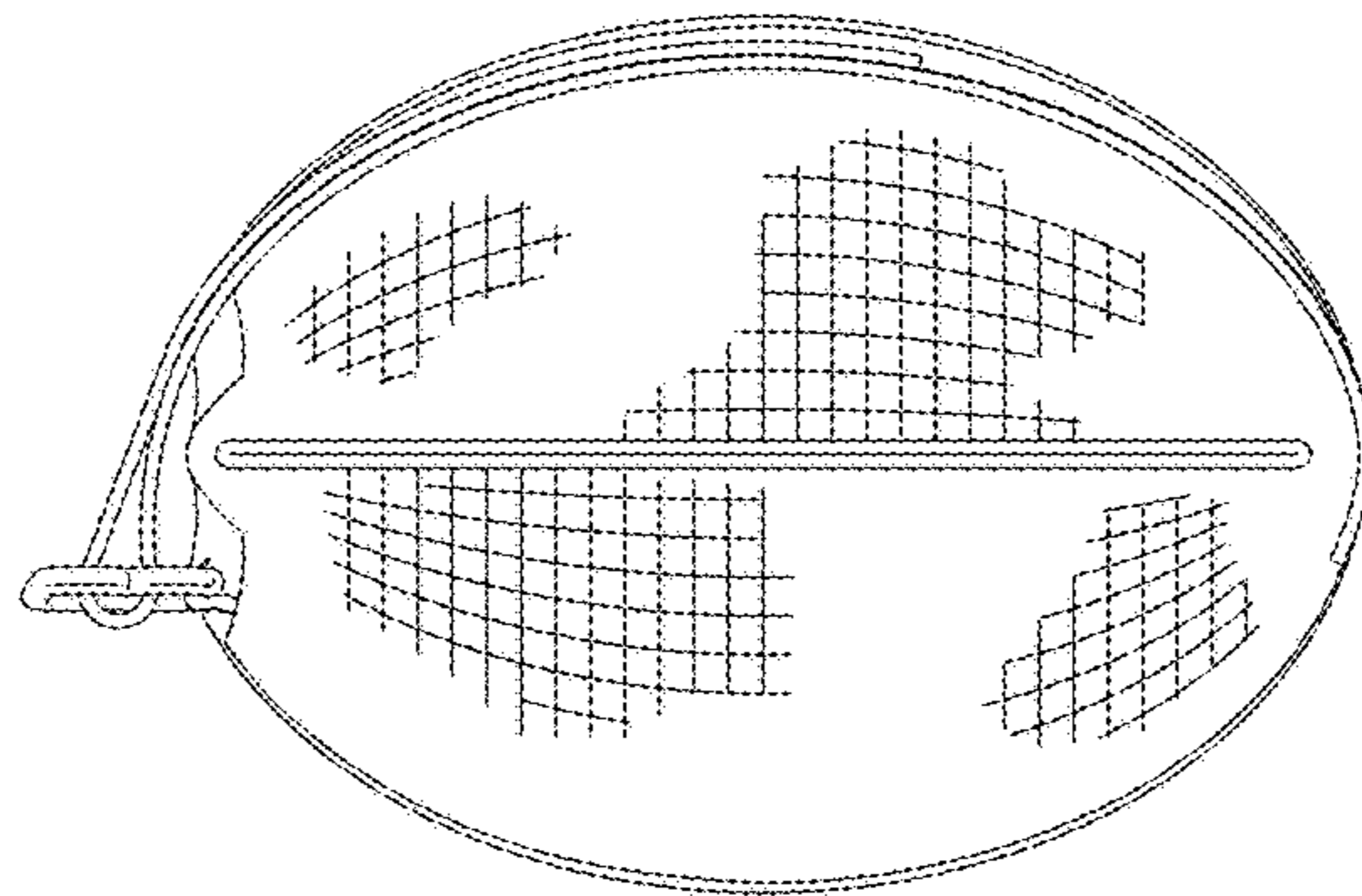


FIG. 3

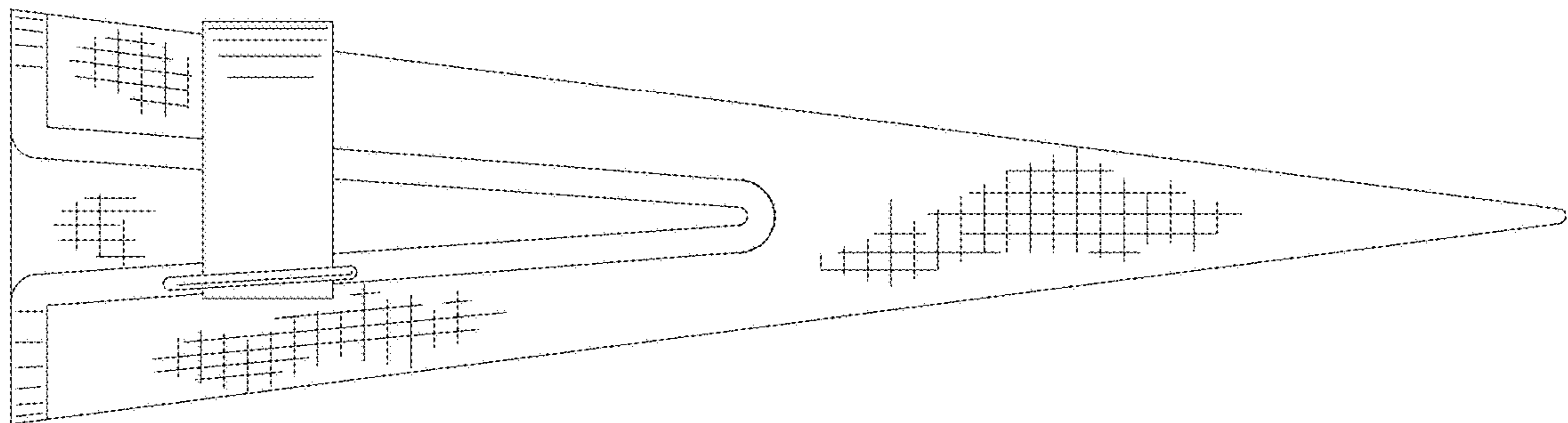


FIG. 4

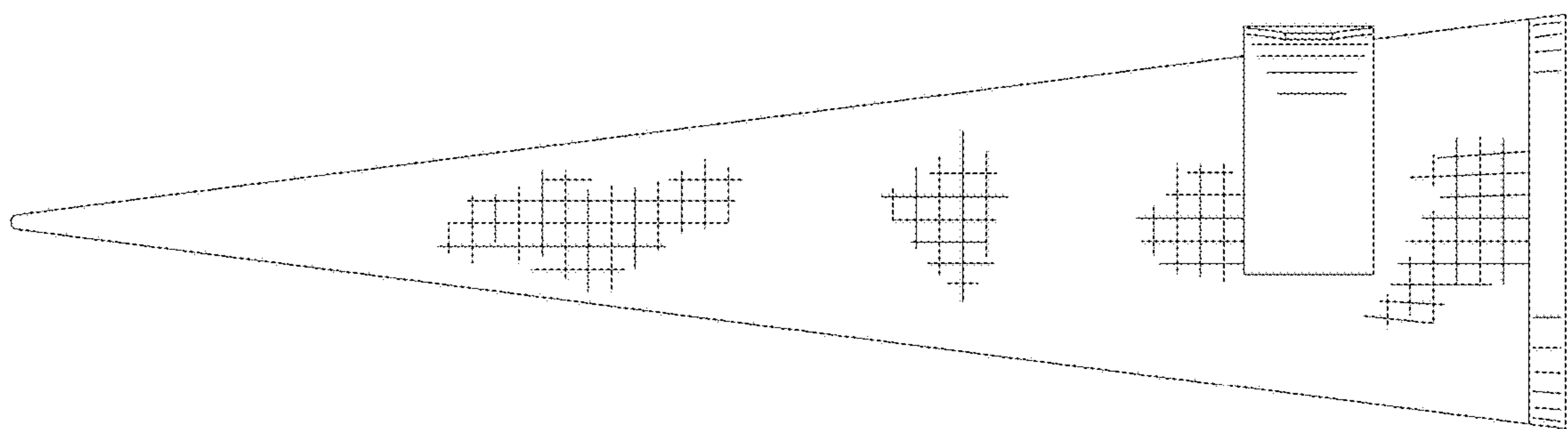


FIG. 5

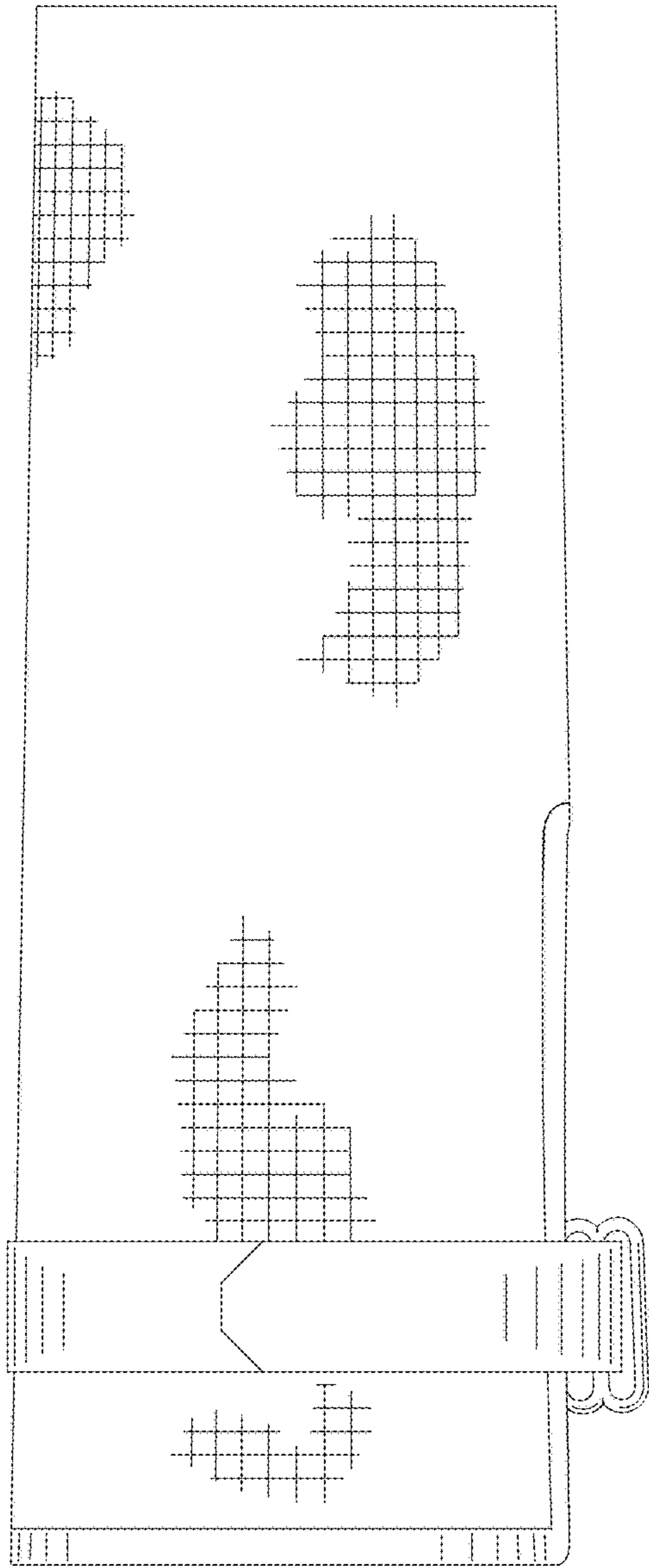


FIG. 6

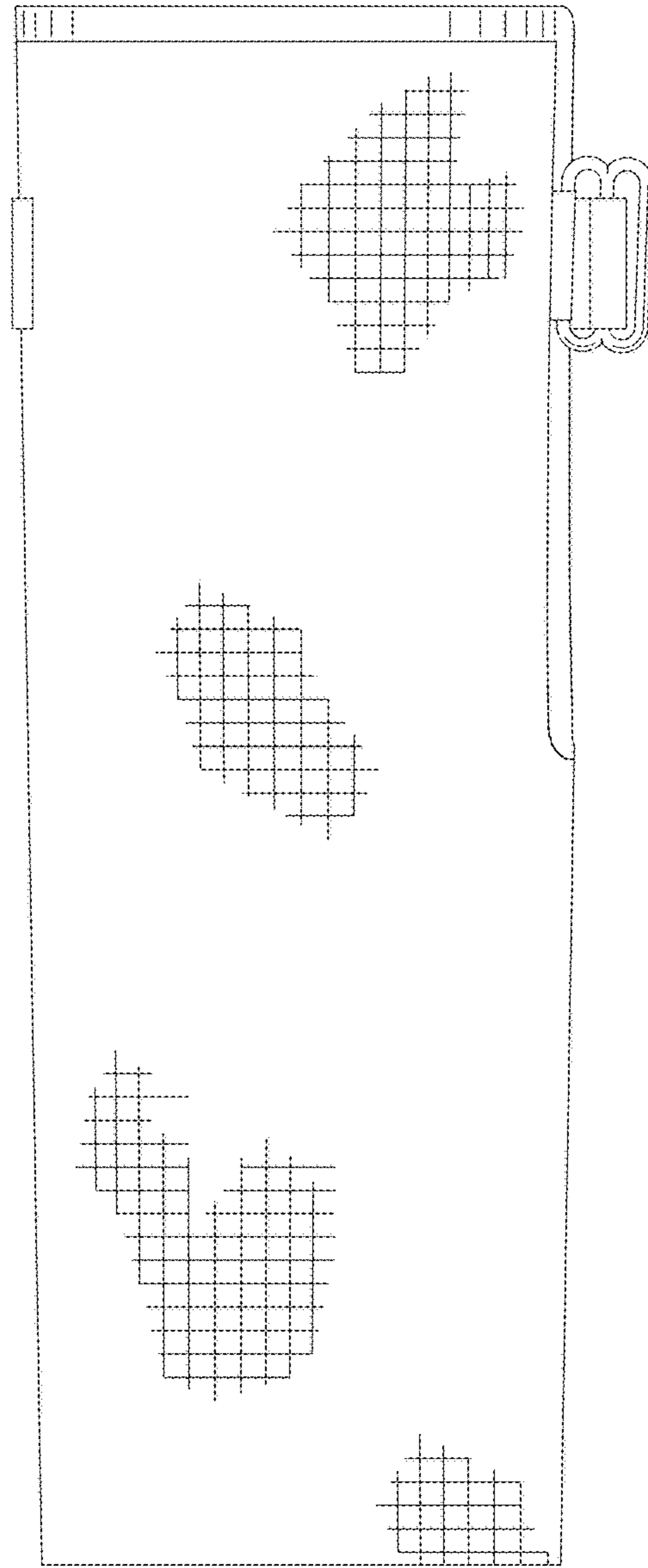


FIG. 7