



US00D859553S

(12) **United States Design Patent** (10) **Patent No.:** **US D859,553 S**
Chung (45) **Date of Patent:** **** Sep. 10, 2019**

(54) **SEPARATOR PAD FOR SURFBOARDS**
(71) Applicant: **John Hoon Chung**, Beverly Hills, CA (US)
(72) Inventor: **John Hoon Chung**, Beverly Hills, CA (US)

(**) Term: **15 Years**

(21) Appl. No.: **29/505,788**

(22) Filed: **Feb. 8, 2016**

(51) **LOC (12) Cl.** **21-02**

(52) **U.S. Cl.**
USPC **D21/771**

(58) **Field of Classification Search**
USPC D21/771, 801, 803; D6/392, 595, 596, D6/601, 604, 605, 681
CPC B63B 35/58; B63B 35/73; B63B 35/76; B63B 35/79; B63B 35/83; B63B 35/02; B63B 35/56; B63B 35/60; A63G 31/00; A63H 23/10
See application file for complete search history.

(56) **References Cited**

U.S. PATENT DOCUMENTS

2,964,315 A * 12/1960 Dinning A63B 69/18 434/253
D262,170 S * 12/1981 Sultzbaugh D6/681

D621,464 S * 8/2010 Durante D21/771
D635,630 S * 4/2011 Durante D21/771
D660,393 S * 5/2012 Bradley D21/771
D663,000 S * 7/2012 Trotter D21/771
D755,320 S * 5/2016 Aguilo D21/771
D772,599 S * 11/2016 Kovari D6/522
D817,853 S * 5/2018 Abrantes D12/406

* cited by examiner

Primary Examiner — Zenia I Bennett

(74) *Attorney, Agent, or Firm* — Andrew Cate

(57) **CLAIM**

The ornamental design for a separator pad for surfboards, as shown and described.

DESCRIPTION

FIG. 1 is a right side elevation view of a separator pad showing my new design;

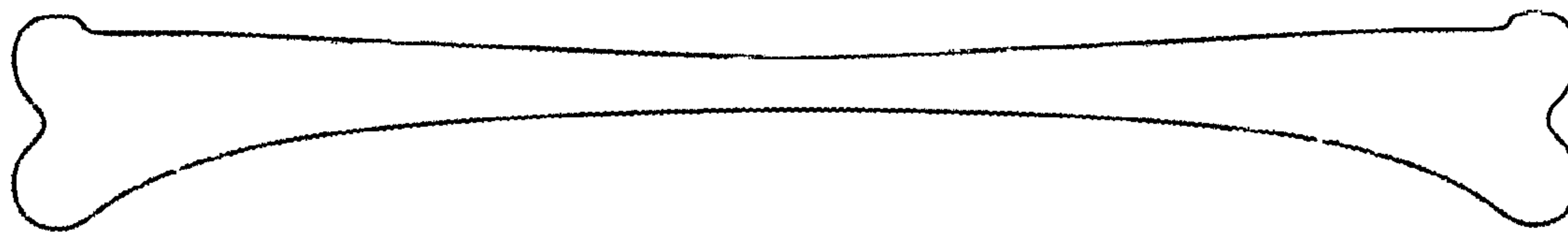
FIG. 2 is a top side perspective view thereof;

FIG. 3 is a bottom side perspective view thereof; and,

FIG. 4 is a view of a separator pad for surfboards shown in use with surfboards.

The broken lines in the drawings are for the purpose of illustrating portions of the separator pad for surfboards, which form no part of the claimed design.

1 Claim, 4 Drawing Sheets



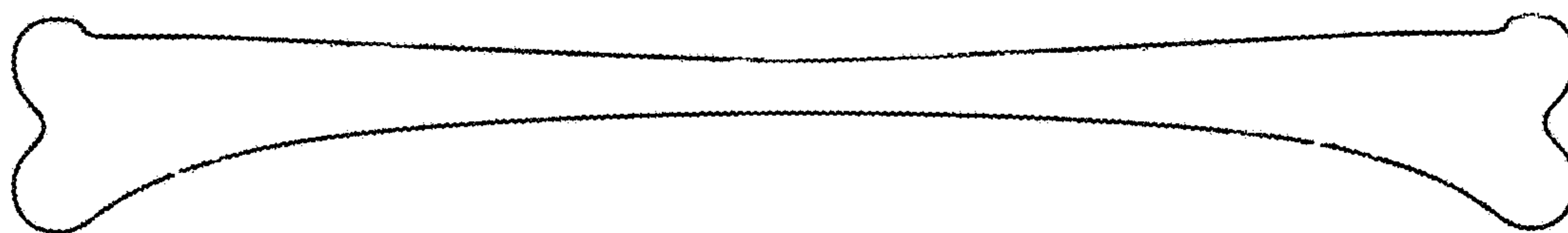


Fig. 1

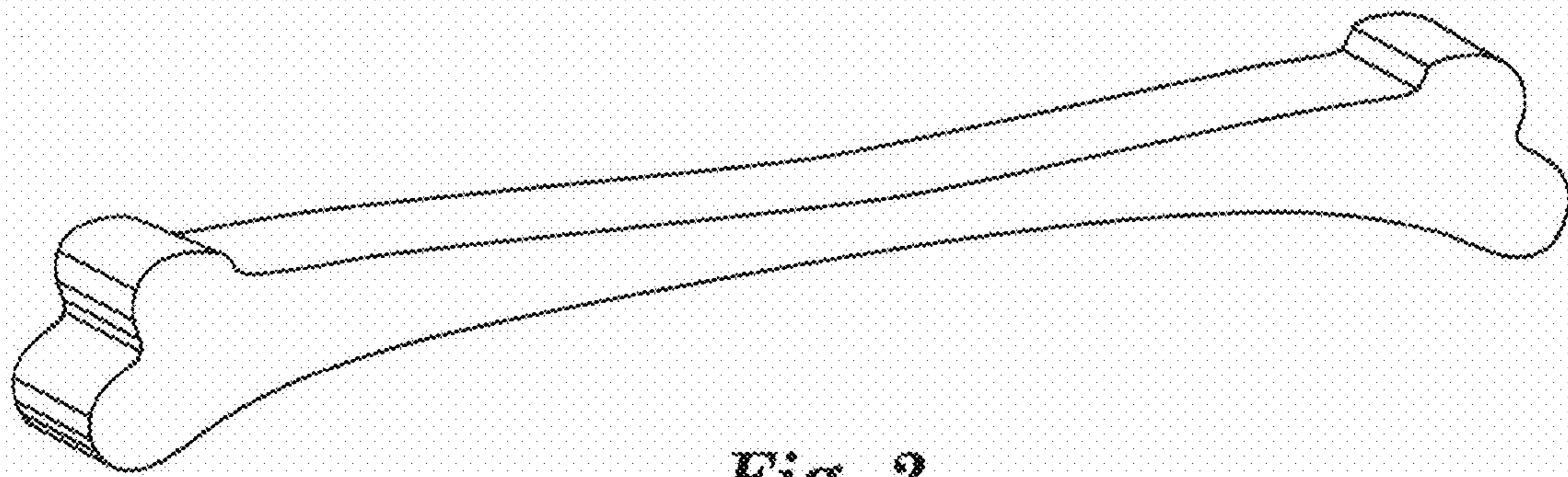


Fig. 2

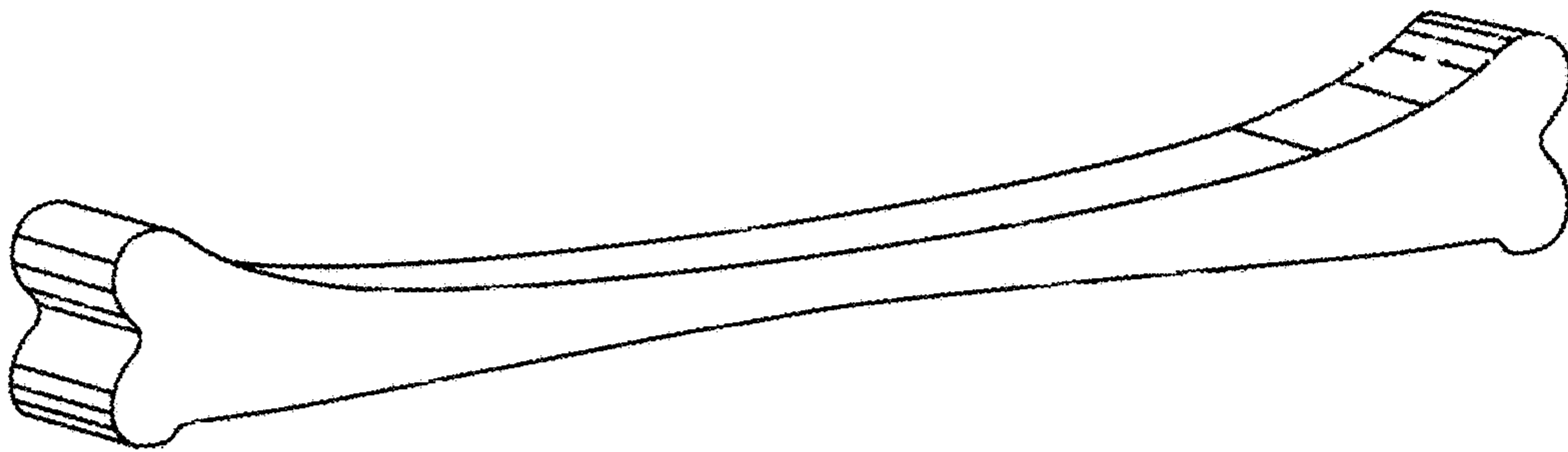


Fig. 3

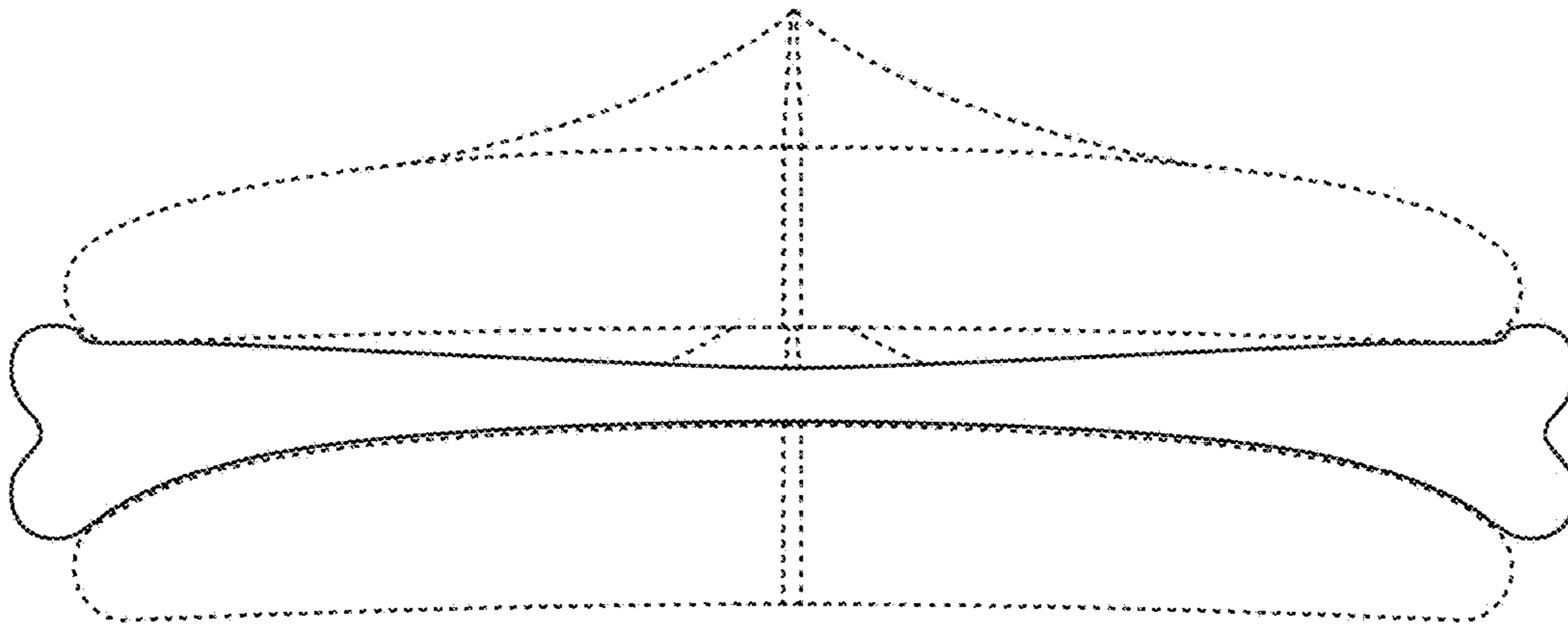


Fig. 4