



US00D859550S

(12) **United States Design Patent**  
**Asatsuma**

(10) **Patent No.:** **US D859,550 S**

(45) **Date of Patent:** **\*\* Sep. 10, 2019**

(54) **GOLF CLUB HEAD**

(71) Applicant: **SUMITOMO RUBBER INDUSTRIES, LTD.**, Kobe-shi, Hyogo (JP)

(72) Inventor: **Hajime Asatsuma**, Kobe (JP)

(73) Assignee: **SUMITOMO RUBBER INDUSTRIES, LTD.**, Kobe-Shi, Hyogo (JP)

(\*\*) Term: **15 Years**

(21) Appl. No.: **29/657,461**

(22) Filed: **Jul. 23, 2018**

(30) **Foreign Application Priority Data**

Feb. 8, 2018 (JP) ..... 2018-002581

(51) **LOC (12) Cl.** ..... **21-02**

(52) **U.S. Cl.**  
USPC ..... **D21/759**

(58) **Field of Classification Search**  
USPC ..... D21/747-751, 759  
CPC ..... A63B 53/00; A63B 53/02; A63B 53/04;  
A63B 53/047; A63B 53/0475; A63B  
2053/0479; A63B 2053/0483; A63B  
2053/0445; A63B 60/00; A63B 60/46  
See application file for complete search history.

(56) **References Cited**

**U.S. PATENT DOCUMENTS**

D163,961 S \* 7/1951 Penna ..... D21/751  
D475,107 S \* 5/2003 Madore ..... D21/759

D487,127 S \* 2/2004 Madore ..... D21/747  
D516,649 S \* 3/2006 Imamoto ..... D21/747  
D517,629 S \* 3/2006 Madore ..... D21/759  
7,125,343 B2 \* 10/2006 Imamoto ..... A63B 53/04  
473/332  
D720,026 S \* 12/2014 Llewellyn ..... D21/759  
D736,872 S \* 8/2015 Llewellyn ..... D21/759  
D736,873 S \* 8/2015 Voshall ..... D21/759  
D738,448 S \* 9/2015 Asatsuma ..... D21/759  
D780,867 S \* 3/2017 Asatsuma ..... D21/759

\* cited by examiner

*Primary Examiner* — Mitchell I. Siegel

(74) *Attorney, Agent, or Firm* — Birch, Stewart, Kolasch & Birch, LLP

(57) **CLAIM**

The ornamental design for a golf club head, as shown and described.

**DESCRIPTION**

FIG. 1 is a perspective view of a golf club head showing our new design;  
FIG. 2 is a front view thereof;  
FIG. 3 is a back view thereof;  
FIG. 4 is a top view thereof;  
FIG. 5 is a bottom view thereof;  
FIG. 6 is a right view thereof;  
FIG. 7 is a left view thereof; and,  
FIG. 8 is an enlarged cross-sectional view taken on line 8-8 of FIG. 3.  
The broken lines shown in the figures are included for the purpose of illustrating unclaimed subject matter and forms no part of the claimed design.

**1 Claim, 4 Drawing Sheets**

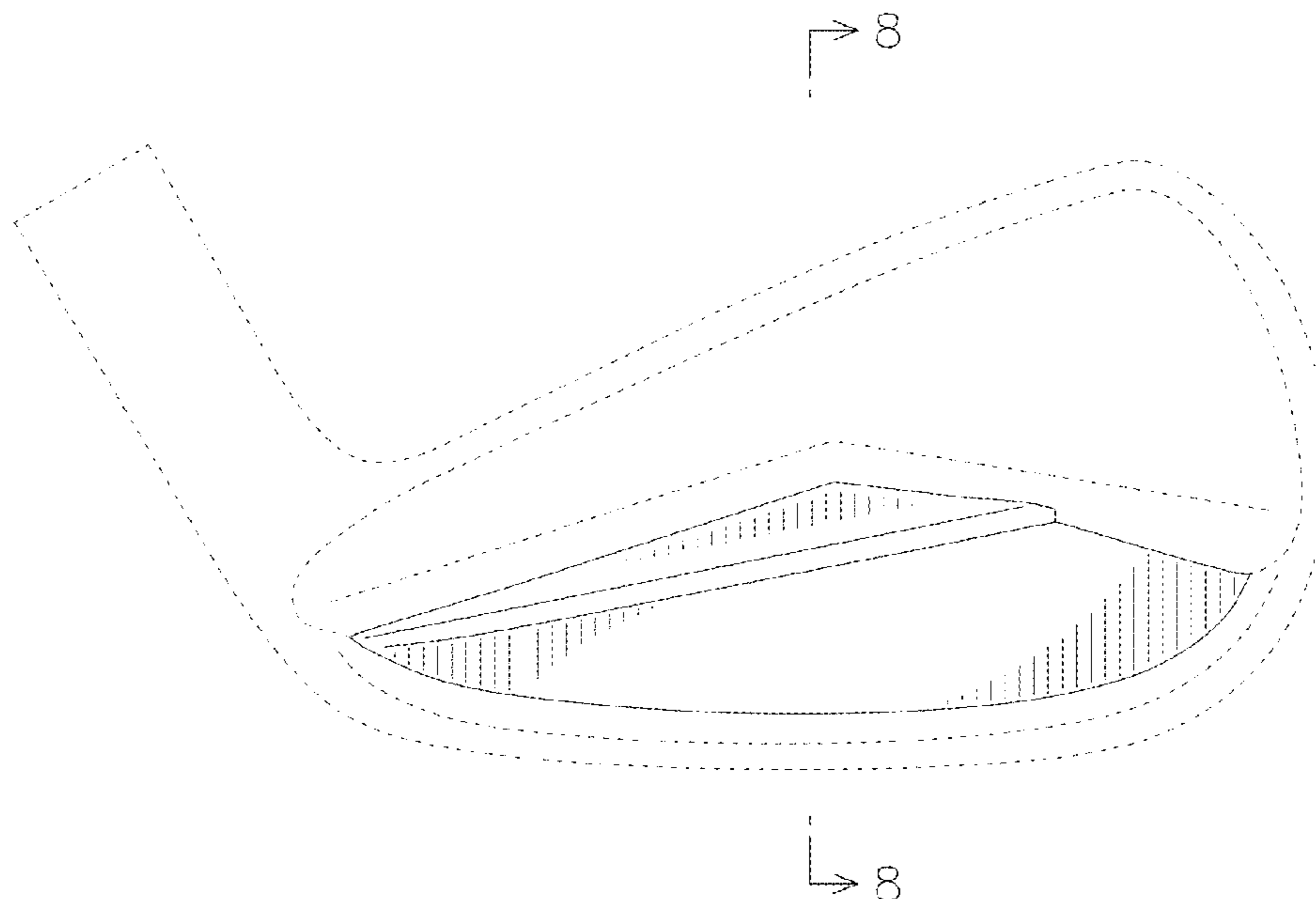


Fig.1

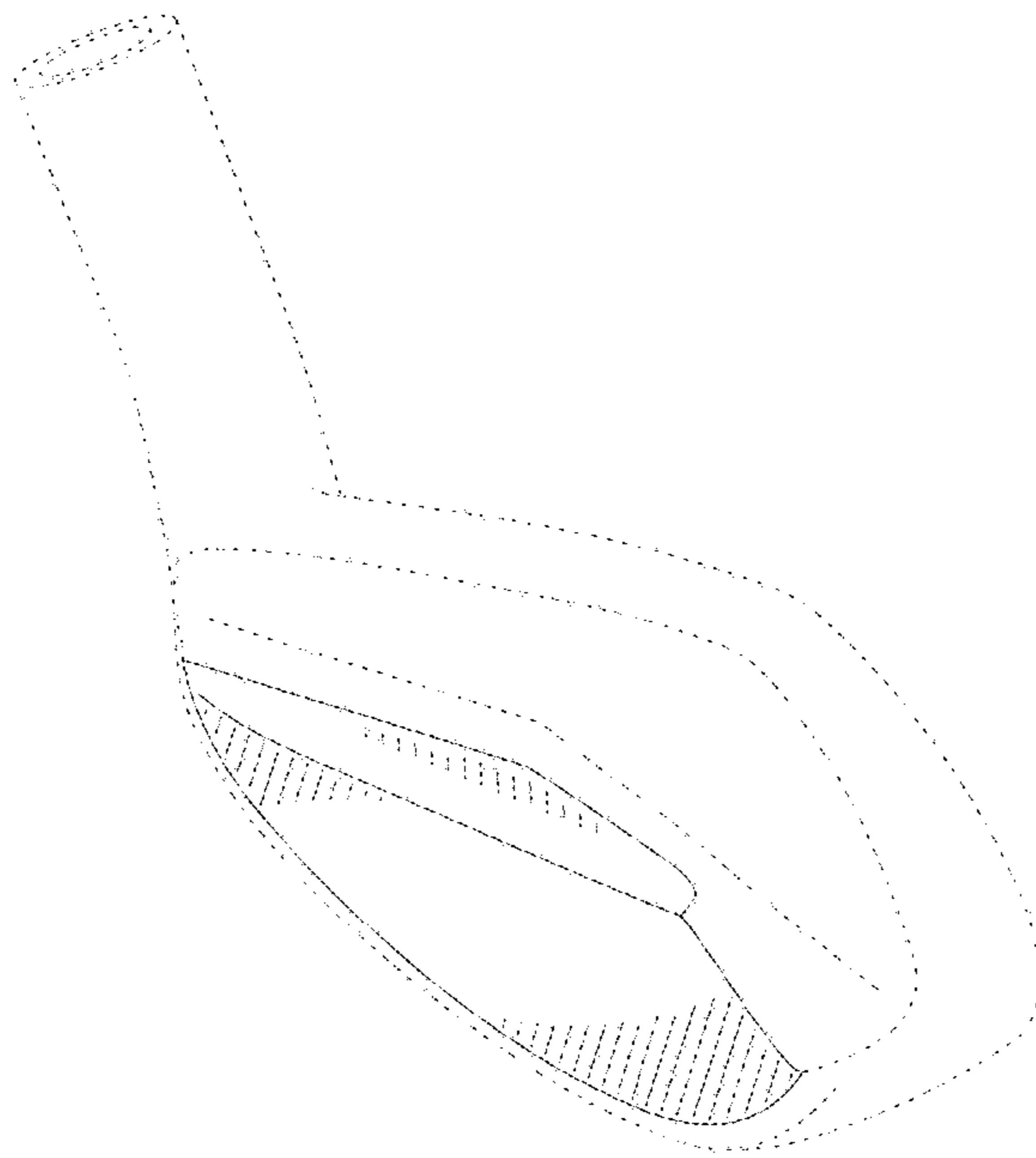


Fig.2

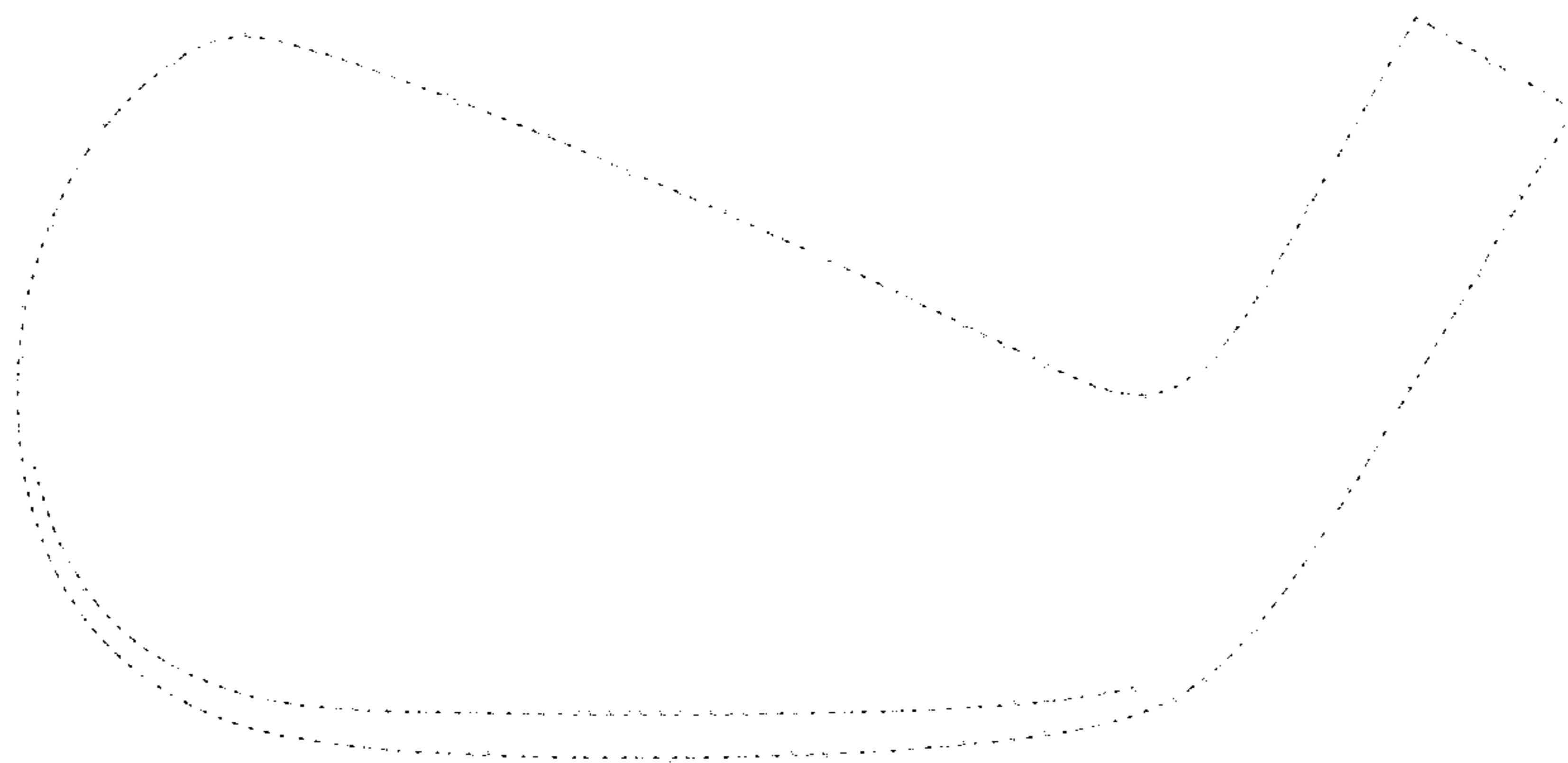


Fig.3

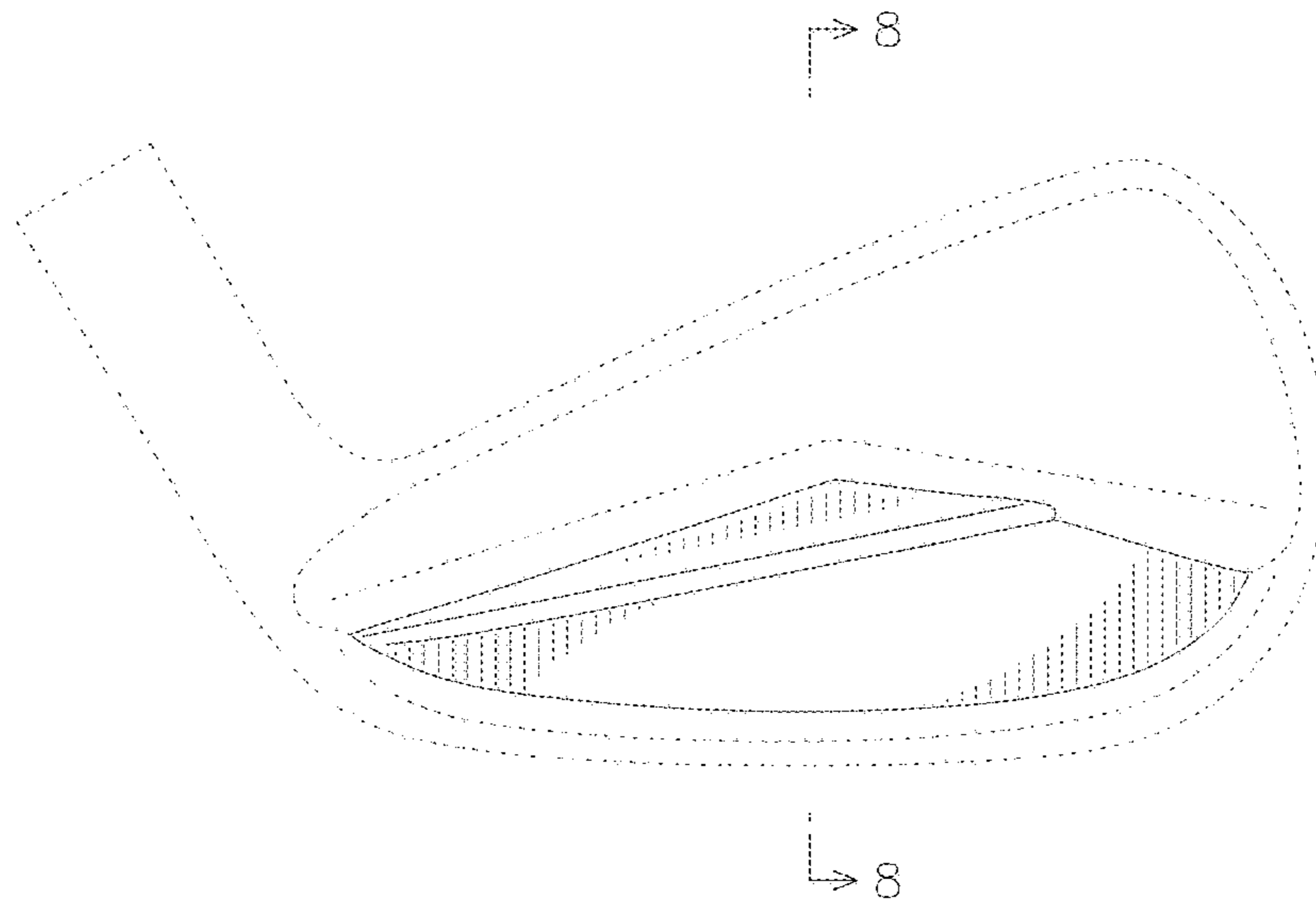


Fig.4

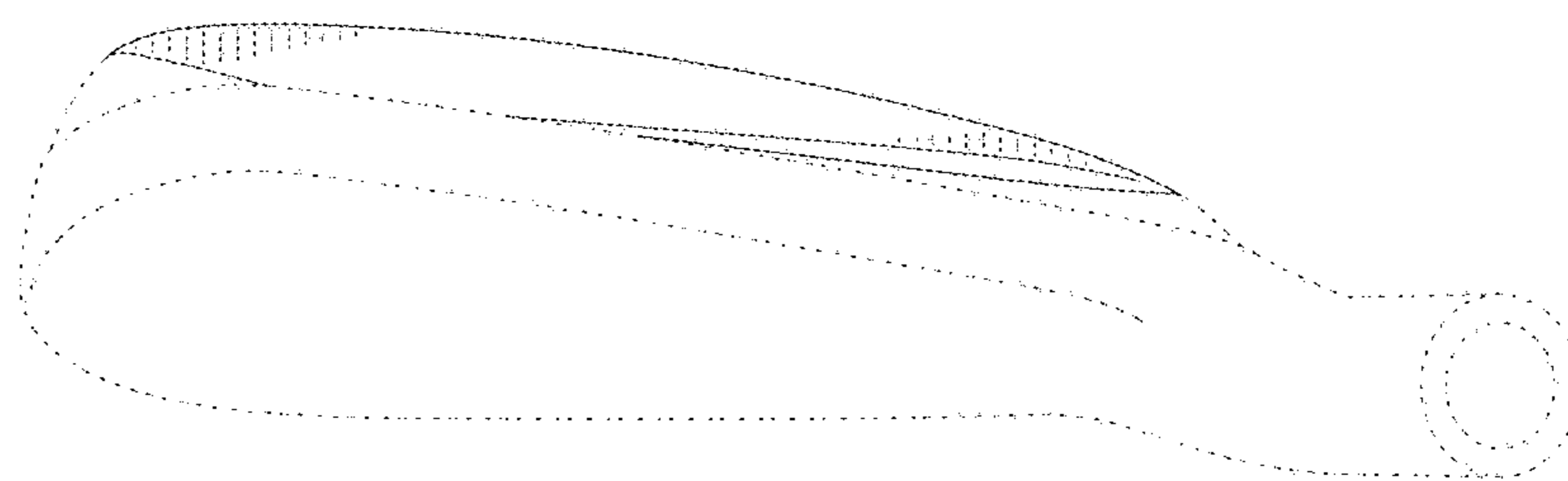


Fig. 5

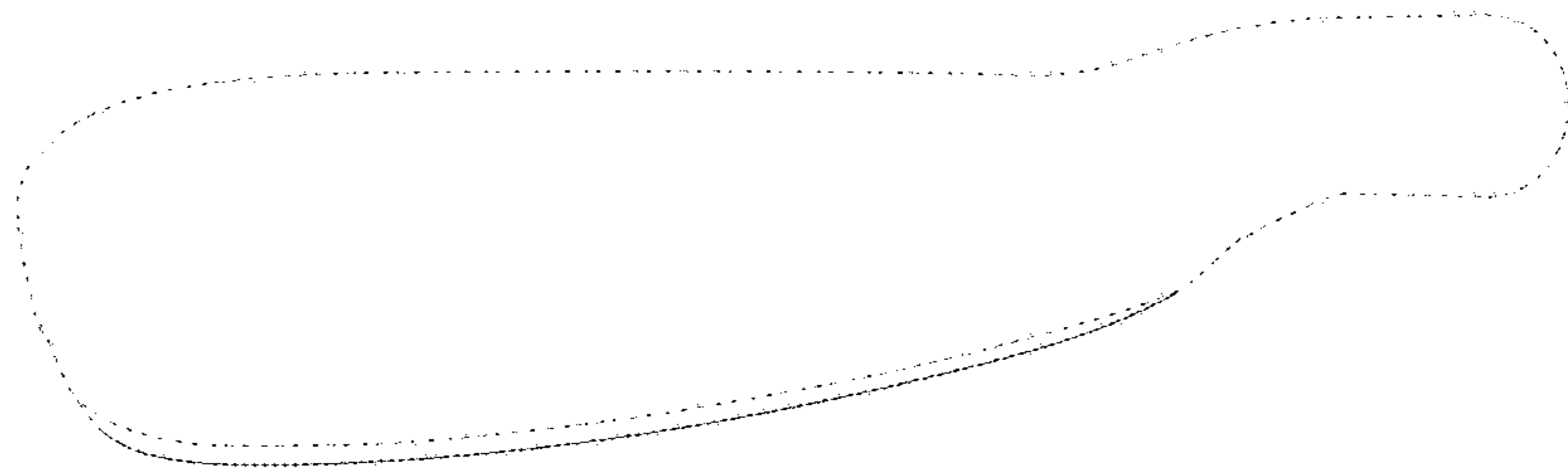


Fig. 6

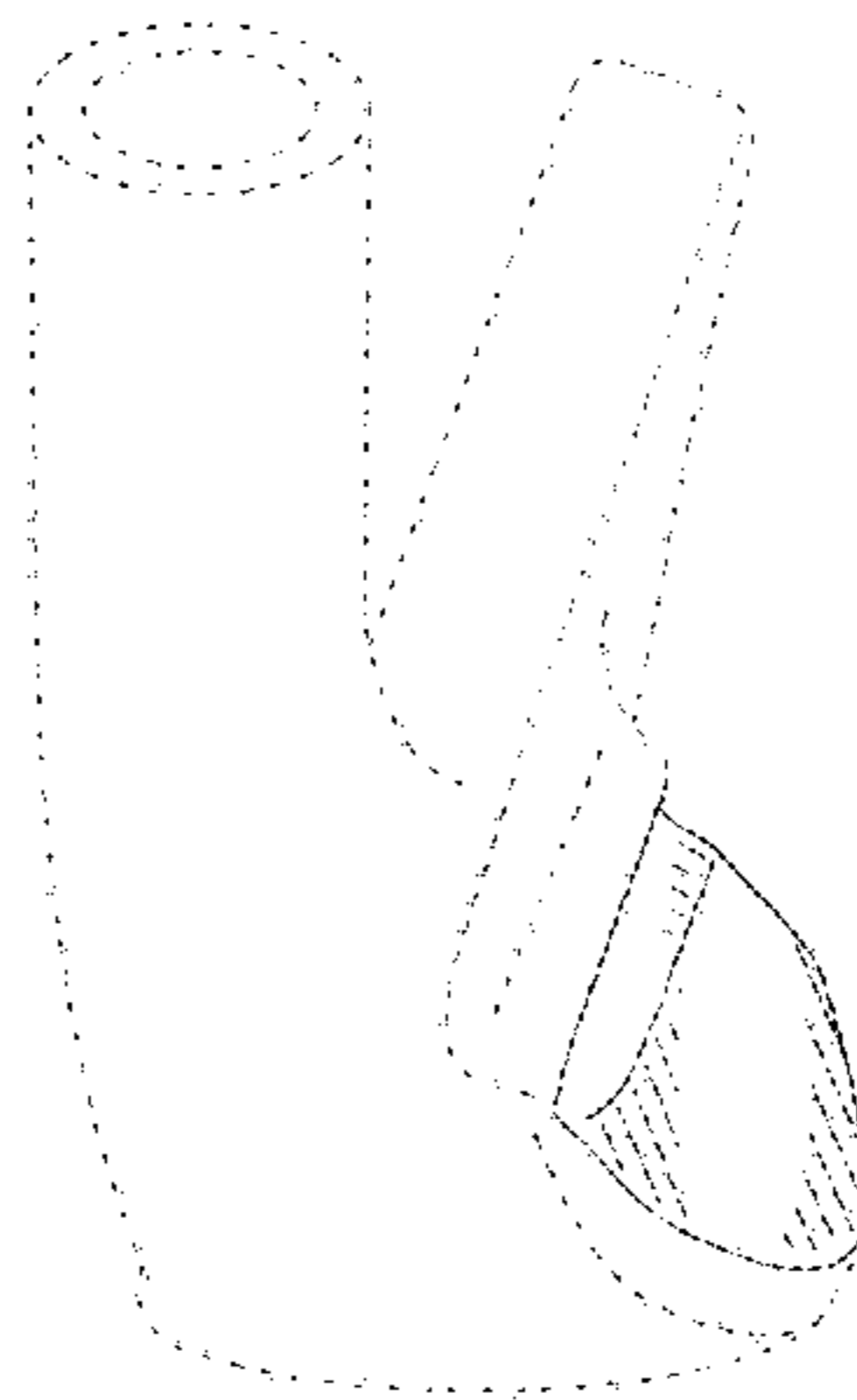


Fig. 7

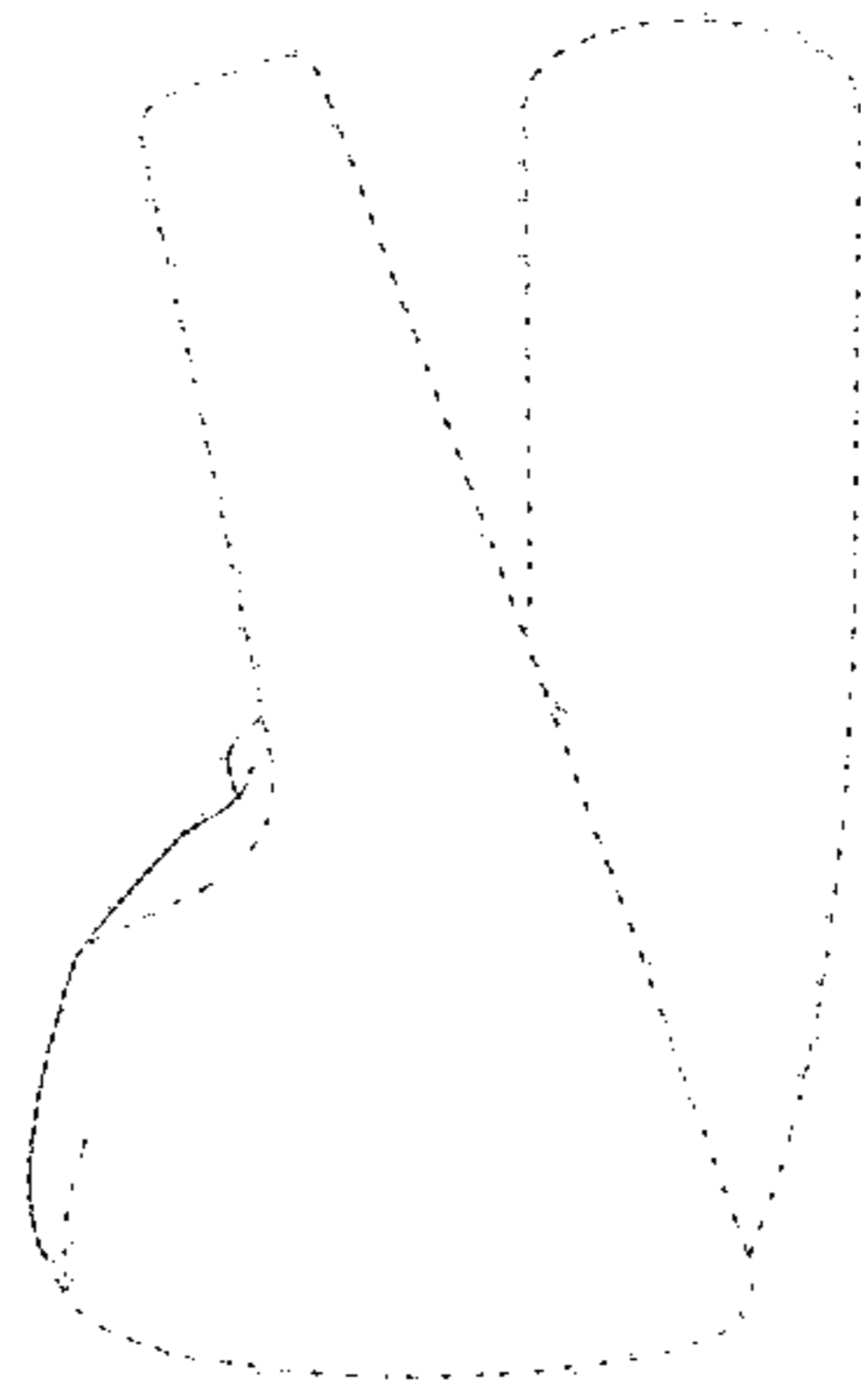


Fig. 8

