



US00D859546S

(12) **United States Design Patent**
Danushevsky

(10) **Patent No.:** **US D859,546 S**

(45) **Date of Patent:** **** Sep. 10, 2019**

(54) **GOLF PUTTER**

(71) Applicant: **Leonid Danushevsky**, Riverwoods, IL
(US)

(72) Inventor: **Leonid Danushevsky**, Riverwoods, IL
(US)

(73) Assignee: **Leonid Danushevsky**, Riverwoods, IL
(US)

(**) Term: **15 Years**

(21) Appl. No.: **29/662,347**

(22) Filed: **Sep. 5, 2018**

(51) **LOC (12) Cl.** **21-02**

(52) **U.S. Cl.**
USPC **D21/743**

(58) **Field of Classification Search**
USPC D21/736-746
CPC A63B 53/00; A63B 53/04; A63B 53/007;
A63B 53/065; A63B 53/0487; A63B
60/00; A63B 60/46
See application file for complete search history.

(56) **References Cited**

U.S. PATENT DOCUMENTS

D182,485 S *	4/1958	Sprinkel	D21/745
D196,736 S *	10/1963	De Carlo	D21/741
D217,373 S *	4/1970	Zitko	D21/745
D228,003 S *	7/1973	Warner	D21/741
D229,204 S *	11/1973	Romero	D21/741
3,888,484 A *	6/1975	Zitko	A63B 53/007 473/252
D315,386 S *	3/1991	Alonso	D21/741
D317,035 S *	5/1991	Pelz	D21/745
D317,962 S *	7/1991	Pelz	D21/735
5,072,941 A *	12/1991	Klein	A63B 53/0487 473/255
D323,688 S *	2/1992	Whitney	D21/741

D324,250 S *	2/1992	Magness	D21/741
D354,535 S *	1/1995	Queen	D21/743
D355,944 S *	2/1995	Bendo	D21/741
5,890,969 A *	4/1999	Bechler	A63B 53/007 473/255
D410,055 S *	5/1999	Loop	D21/736
D410,716 S *	6/1999	Bendo	D21/736
D422,328 S *	4/2000	Lannoch	D21/743
D448,437 S *	9/2001	Colucci	D21/736
D455,467 S *	4/2002	Shenoha	D21/736
D465,819 S *	11/2002	Bussiere	D21/736
D497,402 S *	10/2004	Moore	D21/736
D509,865 S *	9/2005	Blancher	D21/736
D523,915 S *	6/2006	Bergstrom	D21/742
D538,865 S *	3/2007	Cameron	D21/736
D548,296 S *	8/2007	Rollinson	D21/744
D559,930 S *	1/2008	Cameron	D21/746
D569,929 S *	5/2008	Robb	D21/744
D585,511 S *	1/2009	Cameron	D21/743
D603,471 S *	11/2009	Mantelli	D21/736
7,740,545 B2 *	6/2010	Cameron	A63B 53/0487 473/340

(Continued)

Primary Examiner — Mitchell I. Siegel

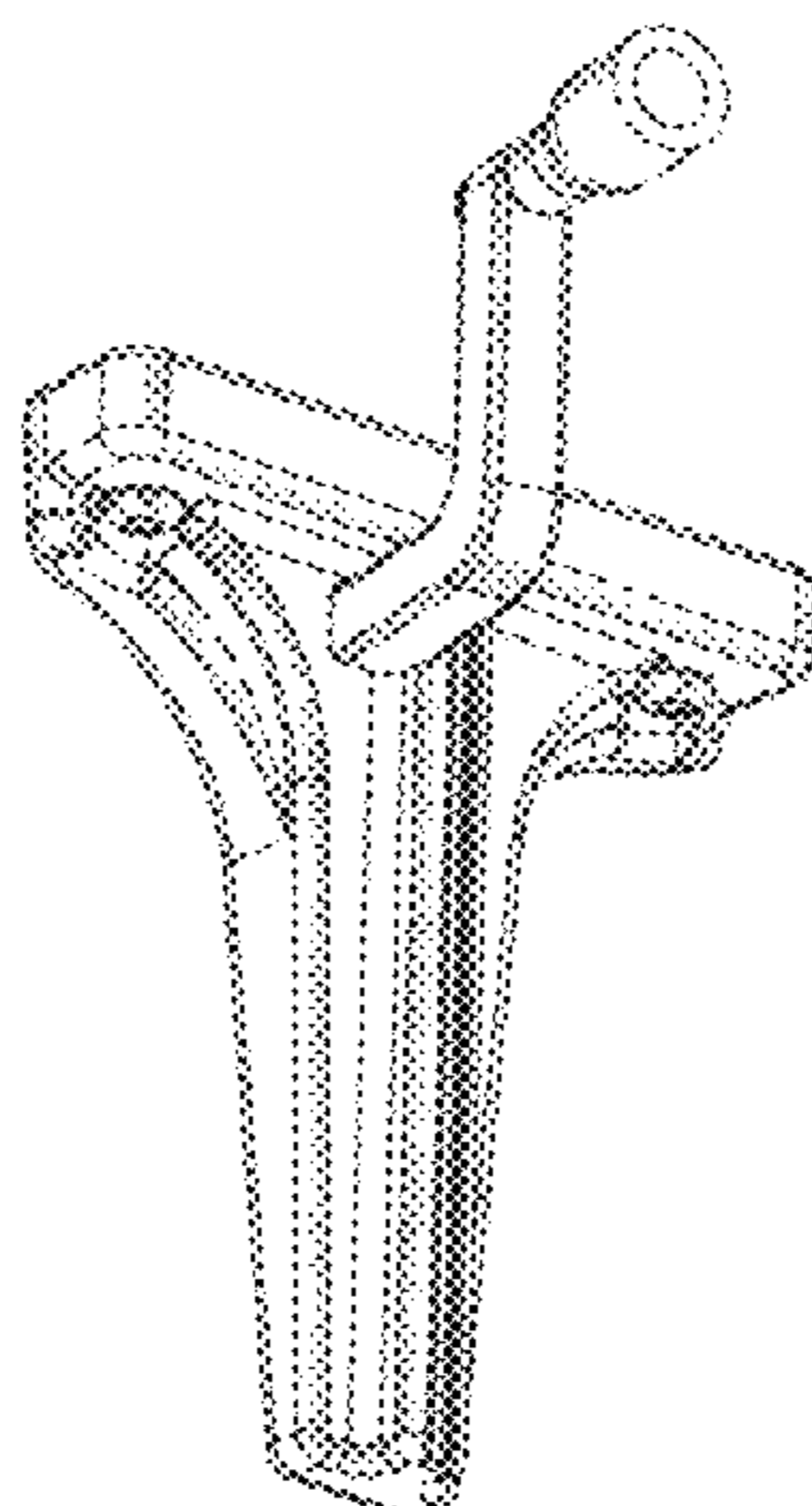
(57) **CLAIM**

The ornamental design for a golf putter, as shown and described.

DESCRIPTION

FIG. 1 is a perspective view of my new golf putter design
FIG. 2 is a top view of my new golf putter design
FIG. 3 is a front view of my new golf putter design
FIG. 4 is a left side view of my new golf putter design
FIG. 5 is a right side view of my new golf putter design
FIG. 6 is a back view of my new golf putter design; and,
FIG. 7 is a bottom view of my new golf putter design.
My golf putter design is characterized by the curved bottom
that gradually slopes up, taper to the back, slot down the
middle and overall length.

1 Claim, 7 Drawing Sheets



(56)

References Cited

U.S. PATENT DOCUMENTS

D620,993	S	*	8/2010	Laub	D21/746
D623,251	S	*	9/2010	Rollinson	D21/744
D625,764	S	*	10/2010	Hilton	D21/743
D629,475	S	*	12/2010	Rollinson	D21/736
7,993,217	B2	*	8/2011	Cameron	A63B 53/0487
						473/340
8,480,504	B2	*	7/2013	Hilton	A63B 53/0487
						473/242
D759,171	S	*	6/2016	Rollinson	D21/743
D773,572	S	*	12/2016	Rollinson	D21/743
D822,133	S	*	7/2018	Feret, Jr.	D21/743

* cited by examiner

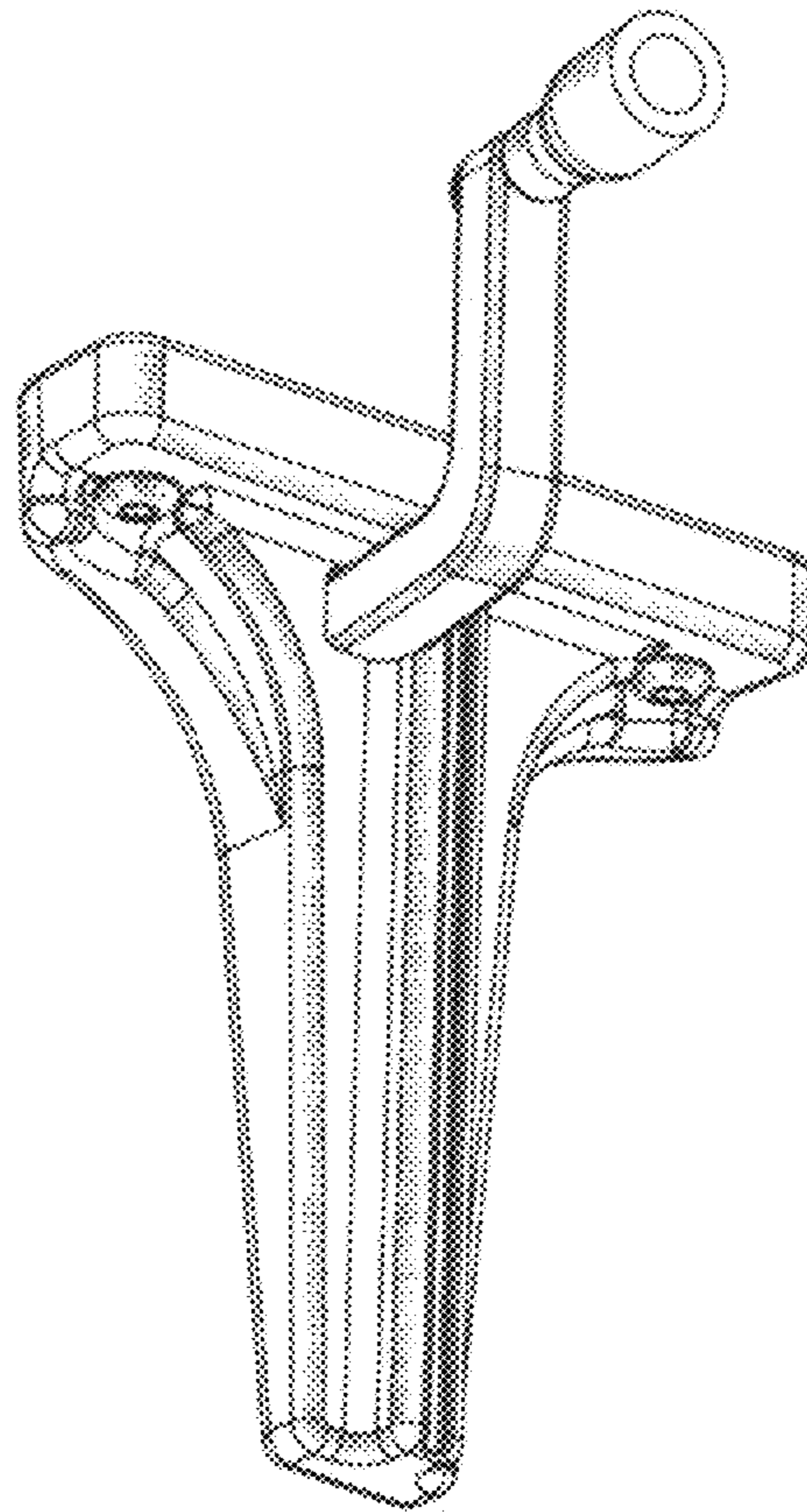


Fig. 1

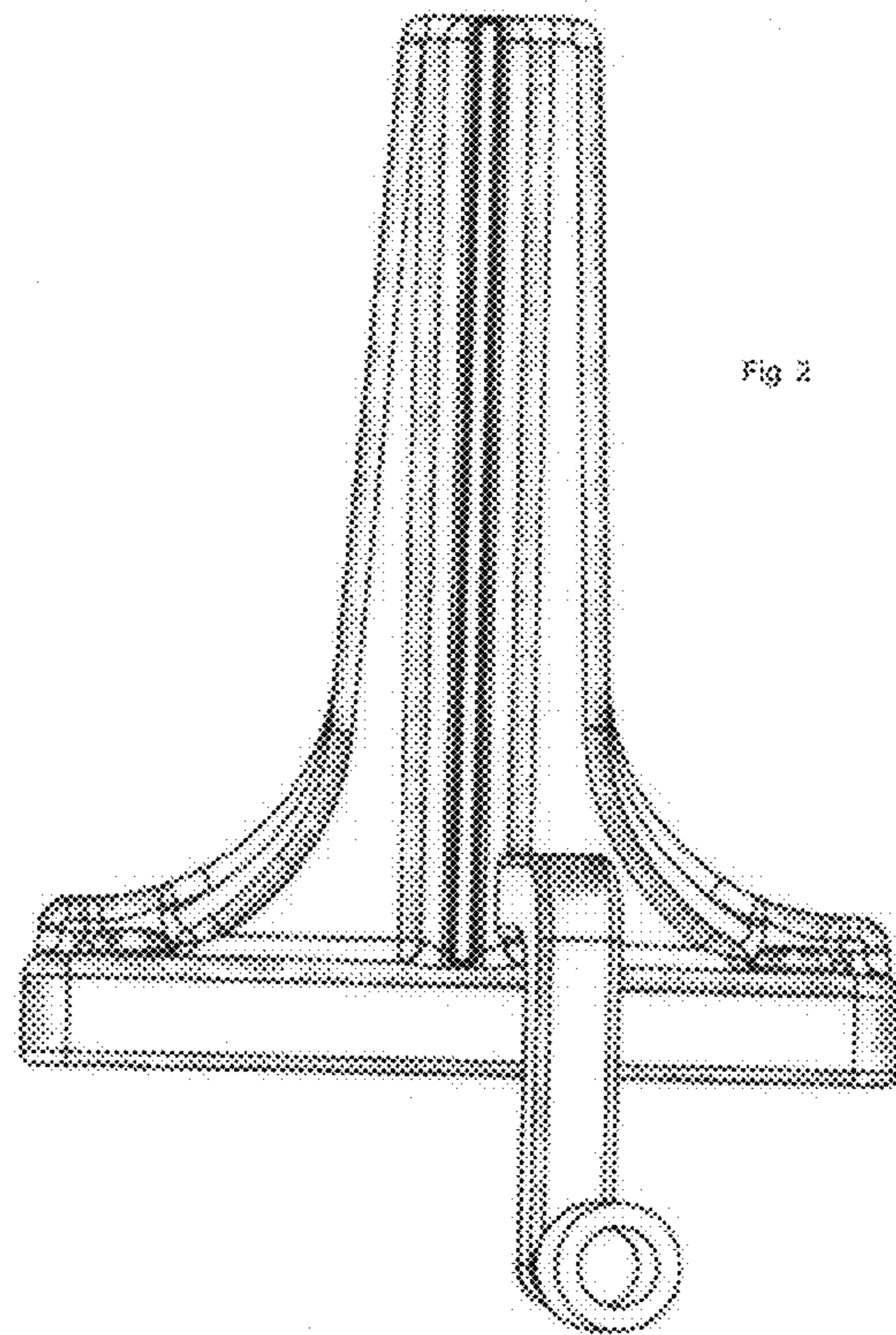
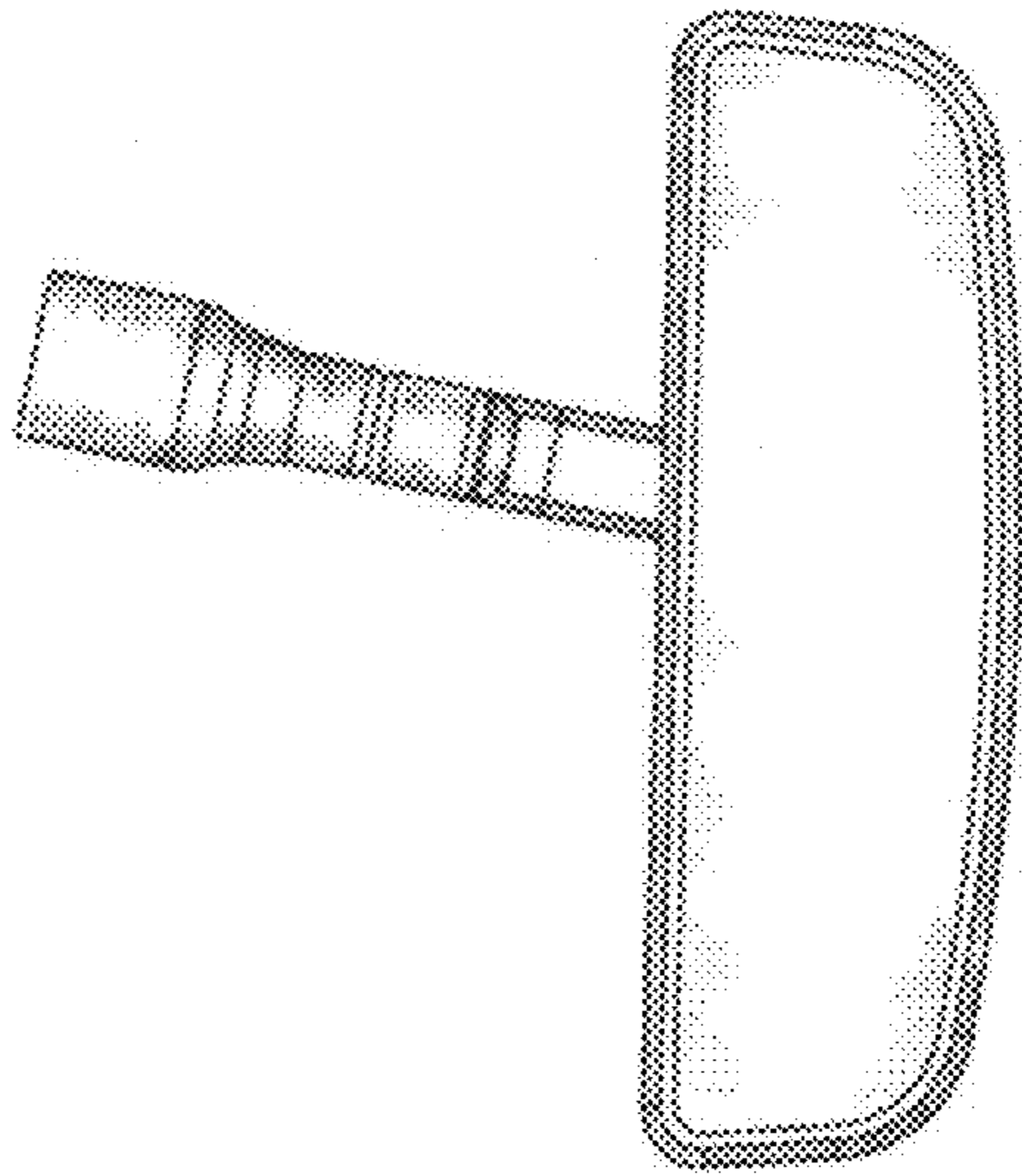


Fig 2

Fig. 3



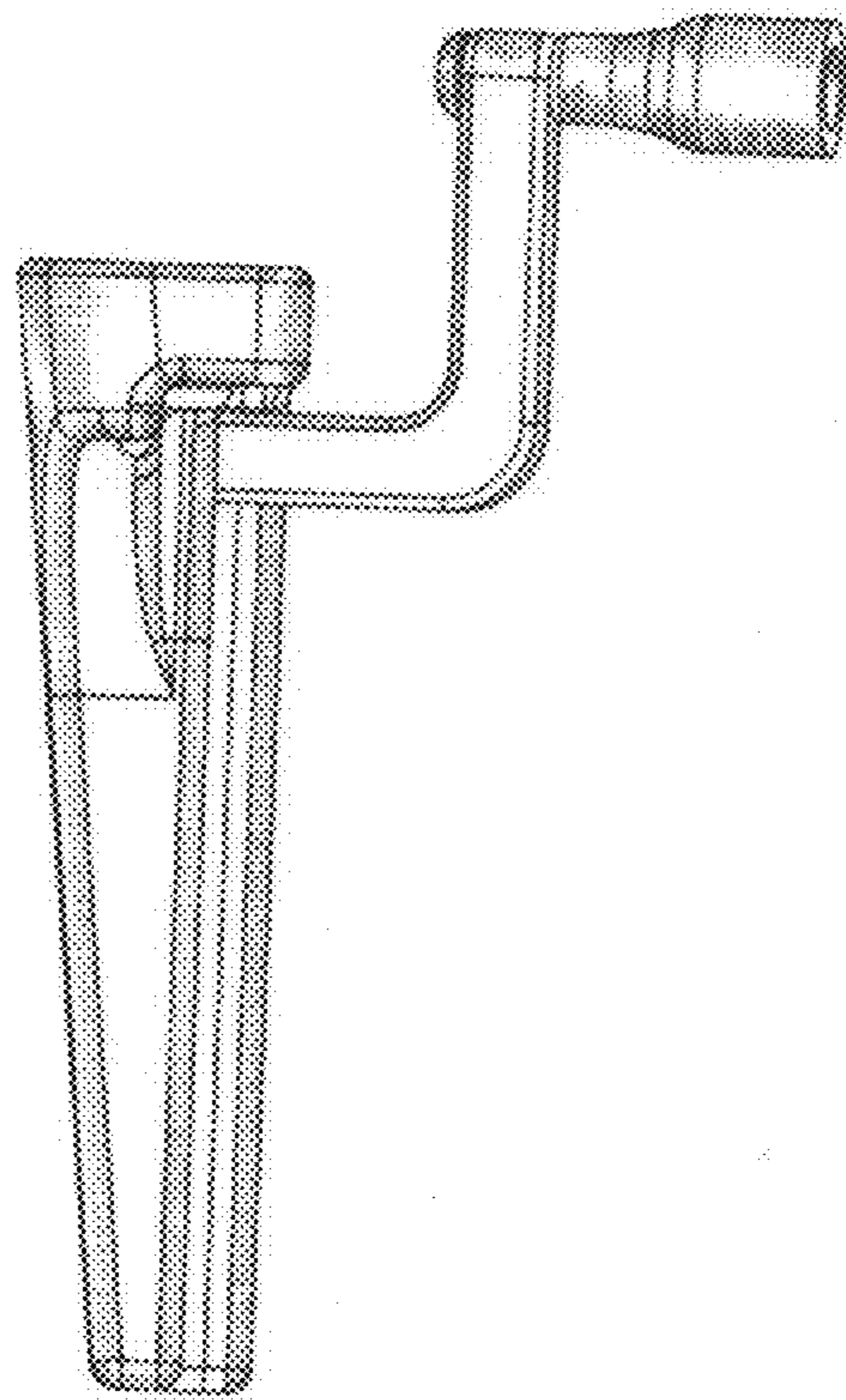


Fig. 4

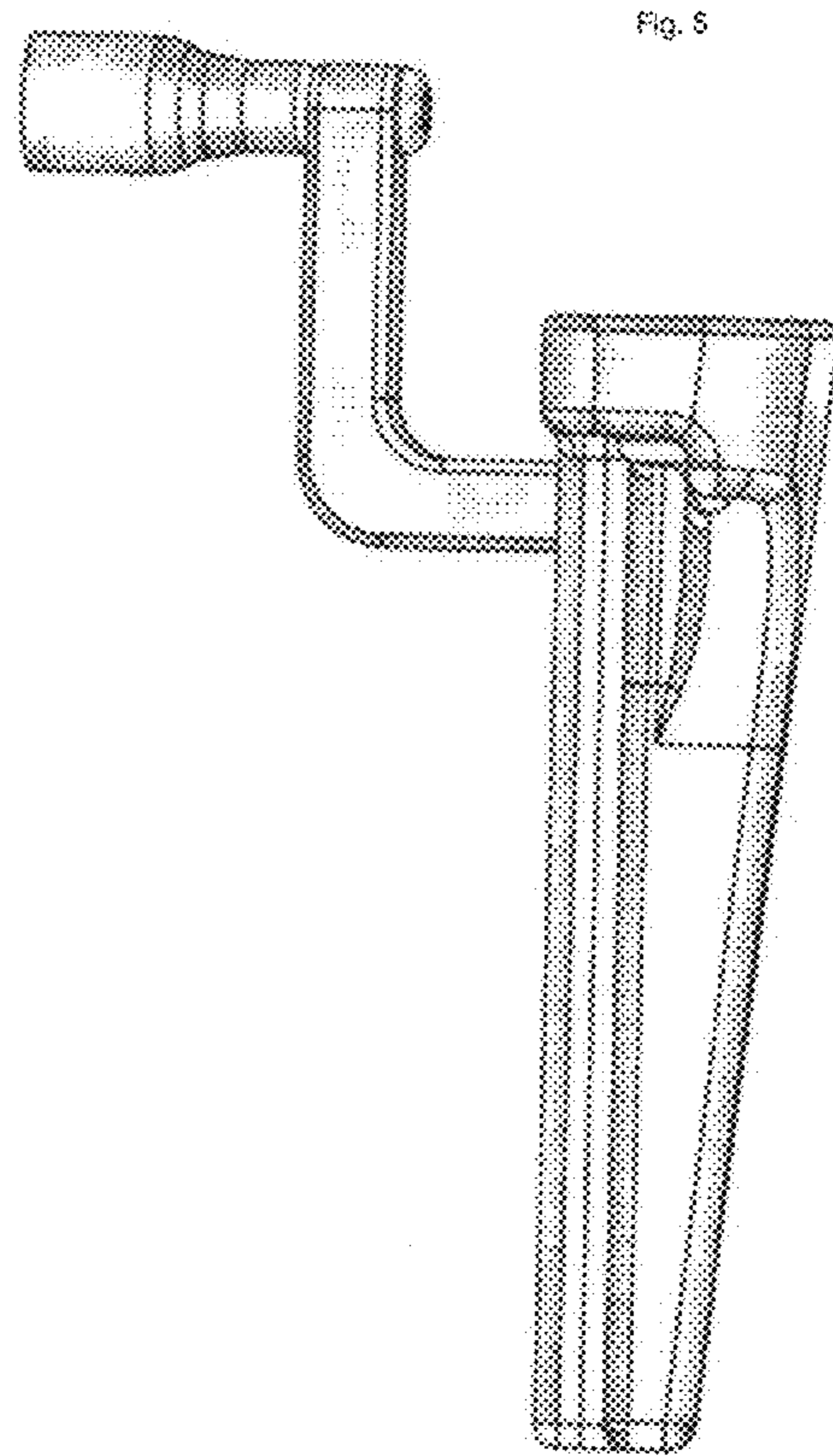


Fig. 6

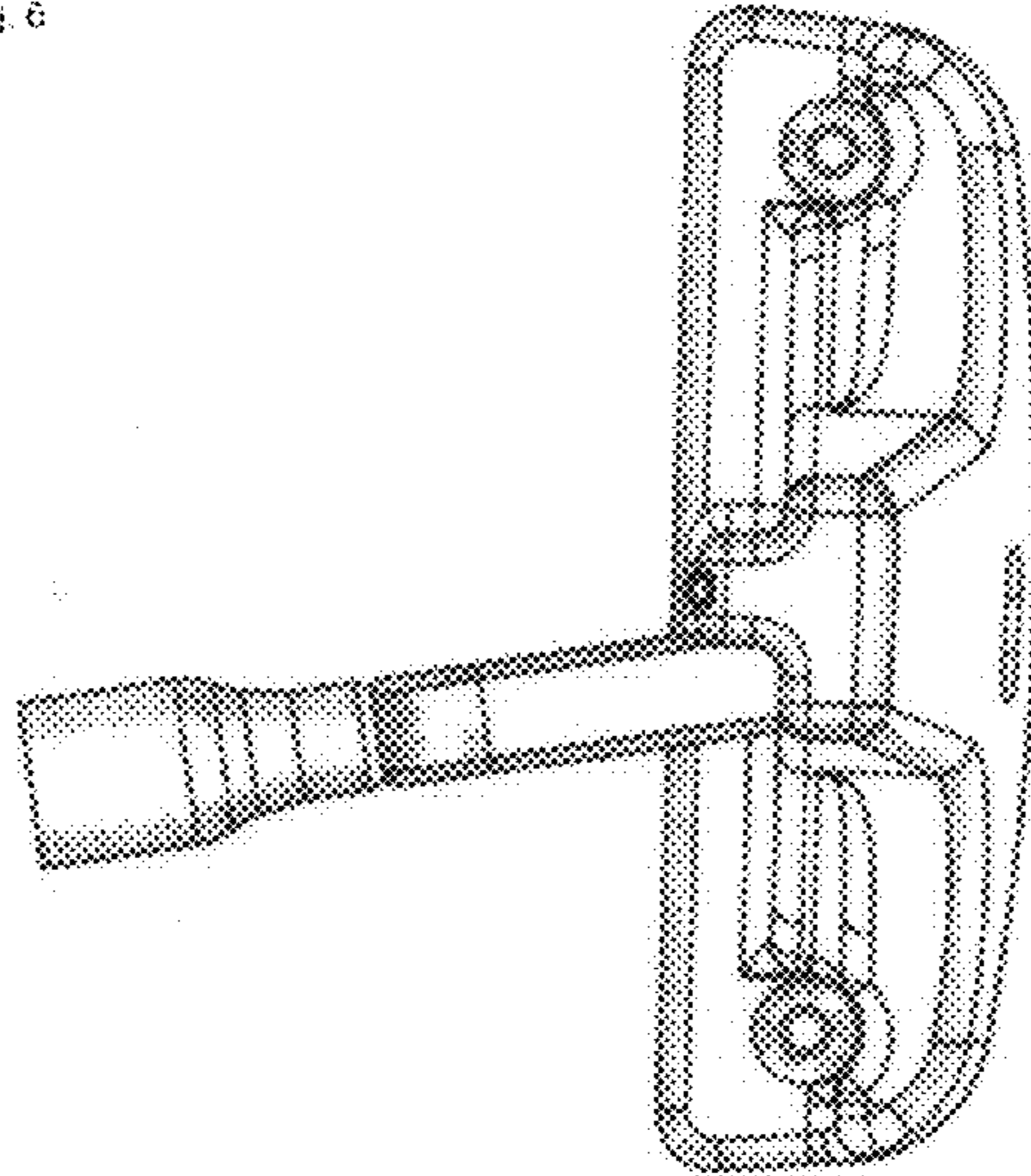


Fig. 7

