



US00D859543S

(12) **United States Design Patent** (10) **Patent No.:** **US D859,543 S**  
**Lisi et al.** (45) **Date of Patent:** **\*\* Sep. 10, 2019**

(54) **TREADMILL**  
(71) Applicant: **TECHNOGYM S.p.A.**, Cesena (IT)  
(72) Inventors: **Ivan Lisi**, Cesena (IT); **Nerio Alessandri**, Cesena (IT)  
(73) Assignee: **TECHNOGYM S.p.A.**, Cesena (IT)  
(\*\*) Term: **15 Years**  
(21) Appl. No.: **29/616,643**  
(22) Filed: **Sep. 7, 2017**  
(30) **Foreign Application Priority Data**

D374,260 S \* 10/1996 Snyderman ..... D21/669  
6,042,514 A \* 3/2000 Abelbeck ..... A63B 22/02  
198/439  
D464,690 S \* 10/2002 San-Ching ..... D21/669  
6,824,502 B1 \* 11/2004 Huang ..... A63B 22/0023  
482/54  
8,308,619 B1 \* 11/2012 Astilean ..... A63B 21/156  
482/54  
8,920,347 B2 \* 12/2014 Bayerlein ..... A63B 22/0235  
601/35  
D751,156 S \* 3/2016 Tasca ..... D21/669  
D827,058 S \* 8/2018 Lisi ..... D21/669  
D831,131 S \* 10/2018 Zha ..... D21/669  
2009/0170666 A1 \* 7/2009 Chiang ..... A63B 22/02  
482/54  
2016/0096064 A1 \* 4/2016 Gatti ..... A63B 22/02  
482/54

(Continued)

Mar. 8, 2017 (EM) ..... 003789403

(51) **LOC (12) Cl.** ..... **21-02**  
(52) **U.S. Cl.**  
USPC ..... **D21/669**

(58) **Field of Classification Search**  
USPC ..... 482/54, 2, 51, 8, 70, 146; D21/669;  
198/439, 456; D30/160; 601/35, 23, 5,  
601/34  
CPC . A63B 22/02; A63B 22/0023; A63B 22/0235;  
A63B 2210/50; A63B 22/0285; A63B  
22/0242; A63B 2022/025; A63B 2225/30;  
A63B 2022/0214; A63B 2220/13; A63B  
2022/0228; A63B 2210/56; A63B  
2024/0093; A63B 2022/0207; A63B  
22/0012; A63B 22/0257; A61H 3/008;  
A61H 1/0262; A61H 2201/164; A01K  
15/027

See application file for complete search history.

(56) **References Cited**

**U.S. PATENT DOCUMENTS**

1,211,765 A \* 1/1917 Schmidt ..... A63B 22/02  
482/54  
D333,887 S \* 3/1993 Dowler ..... D30/160

**FOREIGN PATENT DOCUMENTS**

WO WO-2010107632 A1 \* 9/2010 ..... A63B 21/0053  
WO WO-2010107840 A1 \* 9/2010 ..... A63B 21/0053

*Primary Examiner* — Ryan Harvey

(74) *Attorney, Agent, or Firm* — Thomas|Horstemeyer,  
LLP

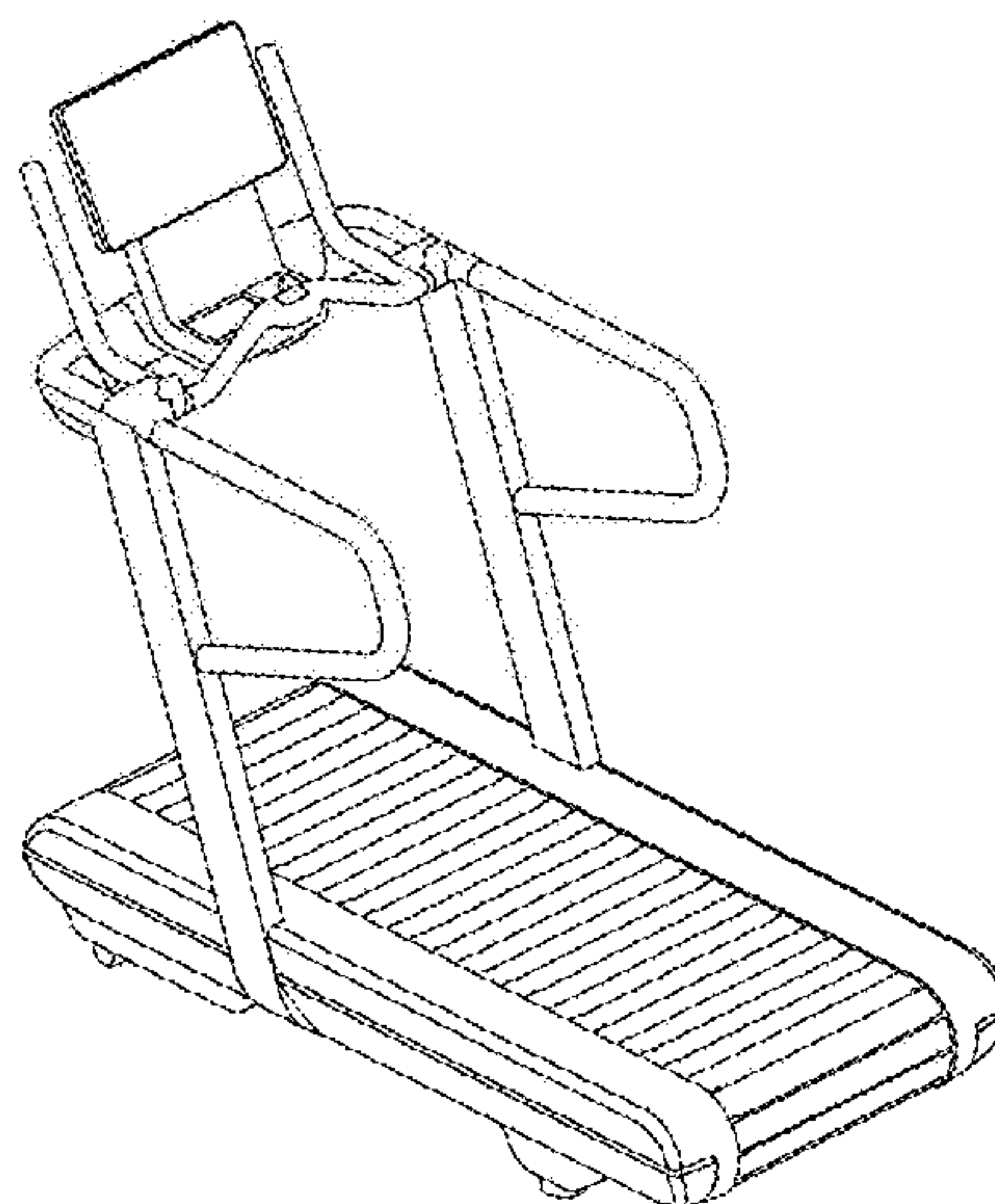
(57) **CLAIM**

The ornamental design for a treadmill, as shown and described.

**DESCRIPTION**

FIG. 1 is a perspective view of a treadmill showing our new design;  
FIG. 2 is a front view thereof;  
FIG. 3 is a rear view thereof, opposite that of FIG. 2;  
FIG. 4 is a side view thereof;  
FIG. 5 is a side view thereof, from a side opposite that of FIG. 4;  
FIG. 6 is a top view thereof; and,  
FIG. 7 is a bottom view thereof, opposite that of FIG. 6.

**1 Claim, 7 Drawing Sheets**



(56)

**References Cited**

U.S. PATENT DOCUMENTS

2018/0140903 A1\* 5/2018 Poure ..... A63B 24/0075  
2018/0264315 A1\* 9/2018 Chen ..... A63B 22/0285

\* cited by examiner

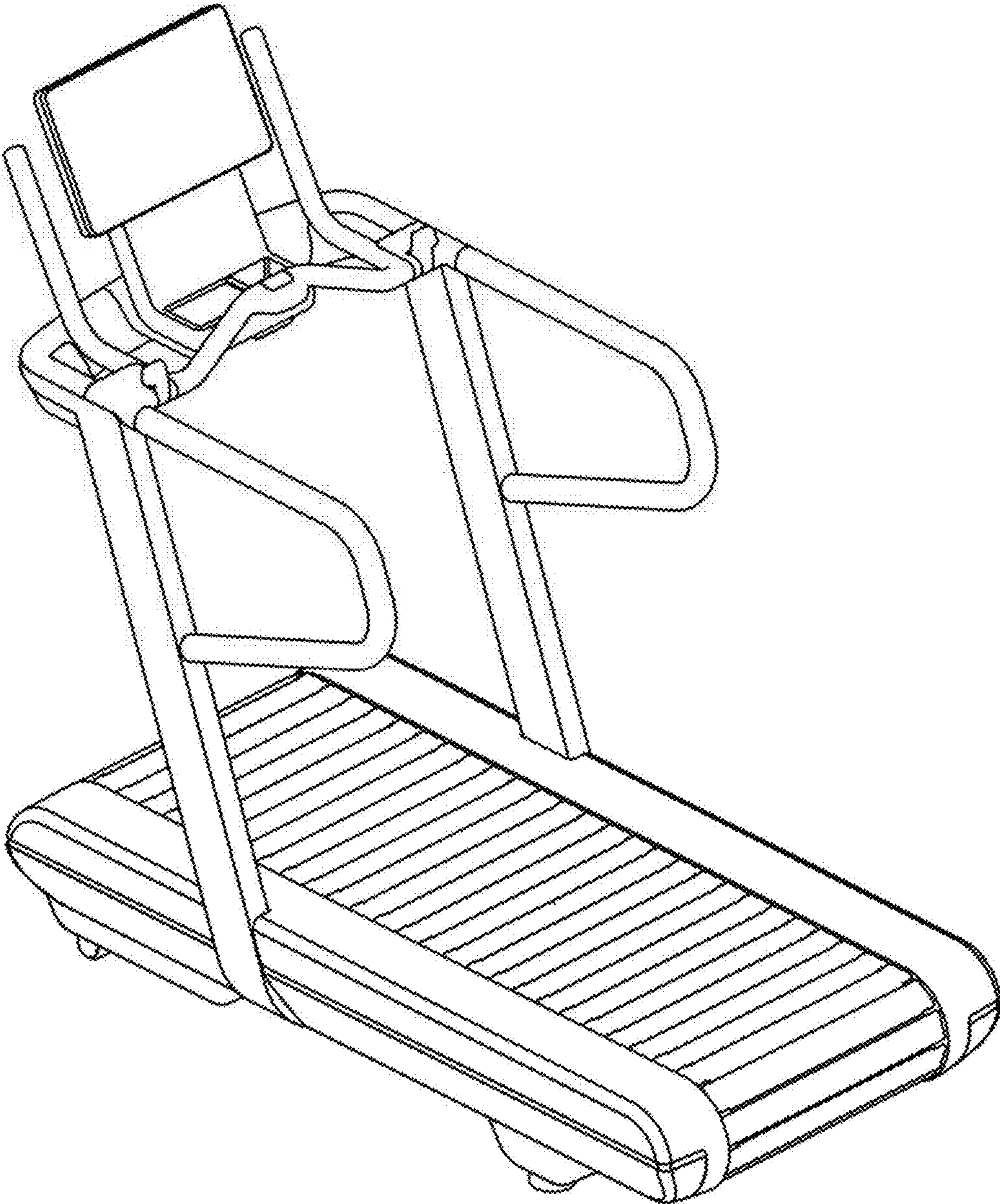


FIG. 1

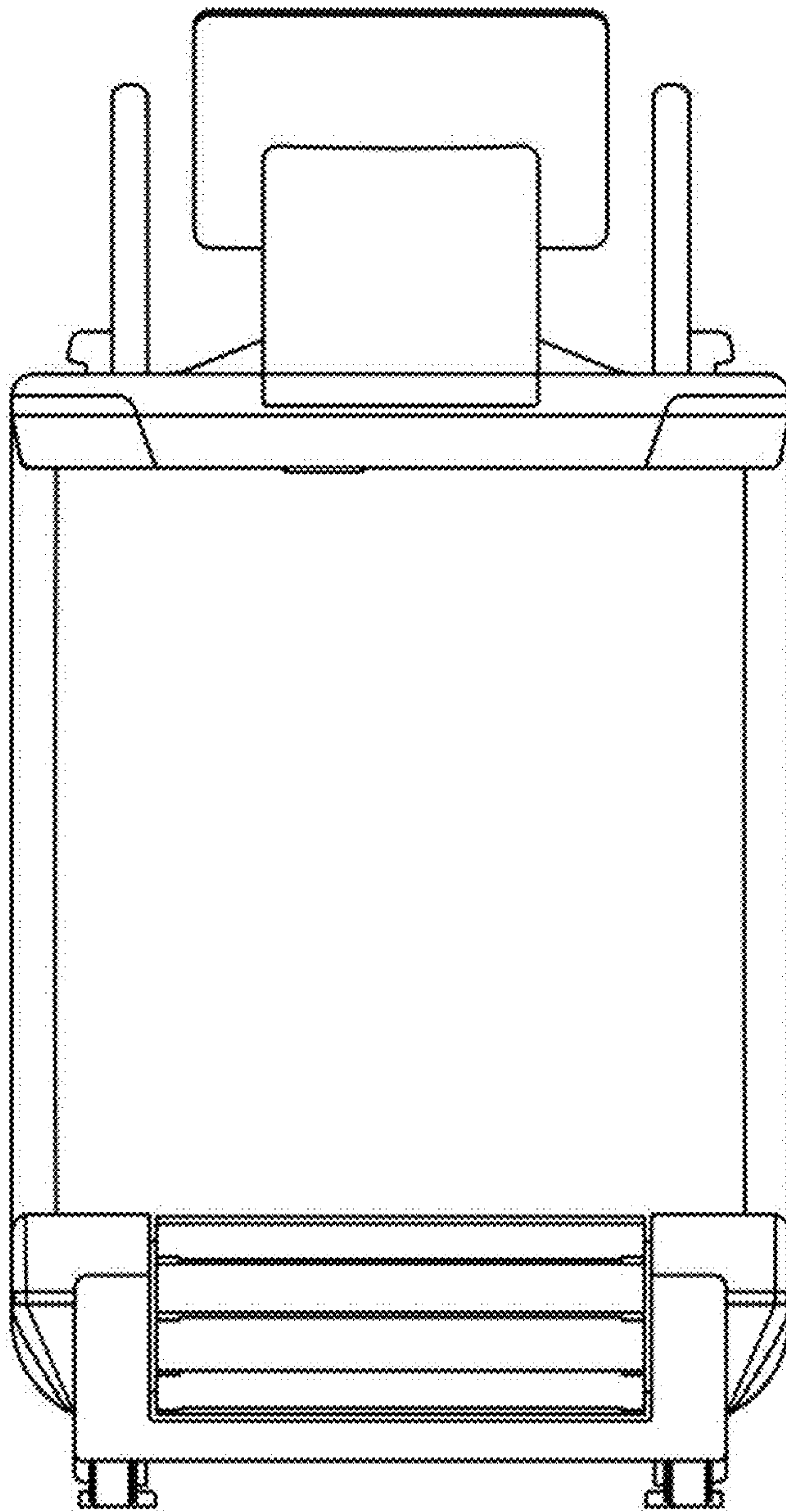


FIG. 2



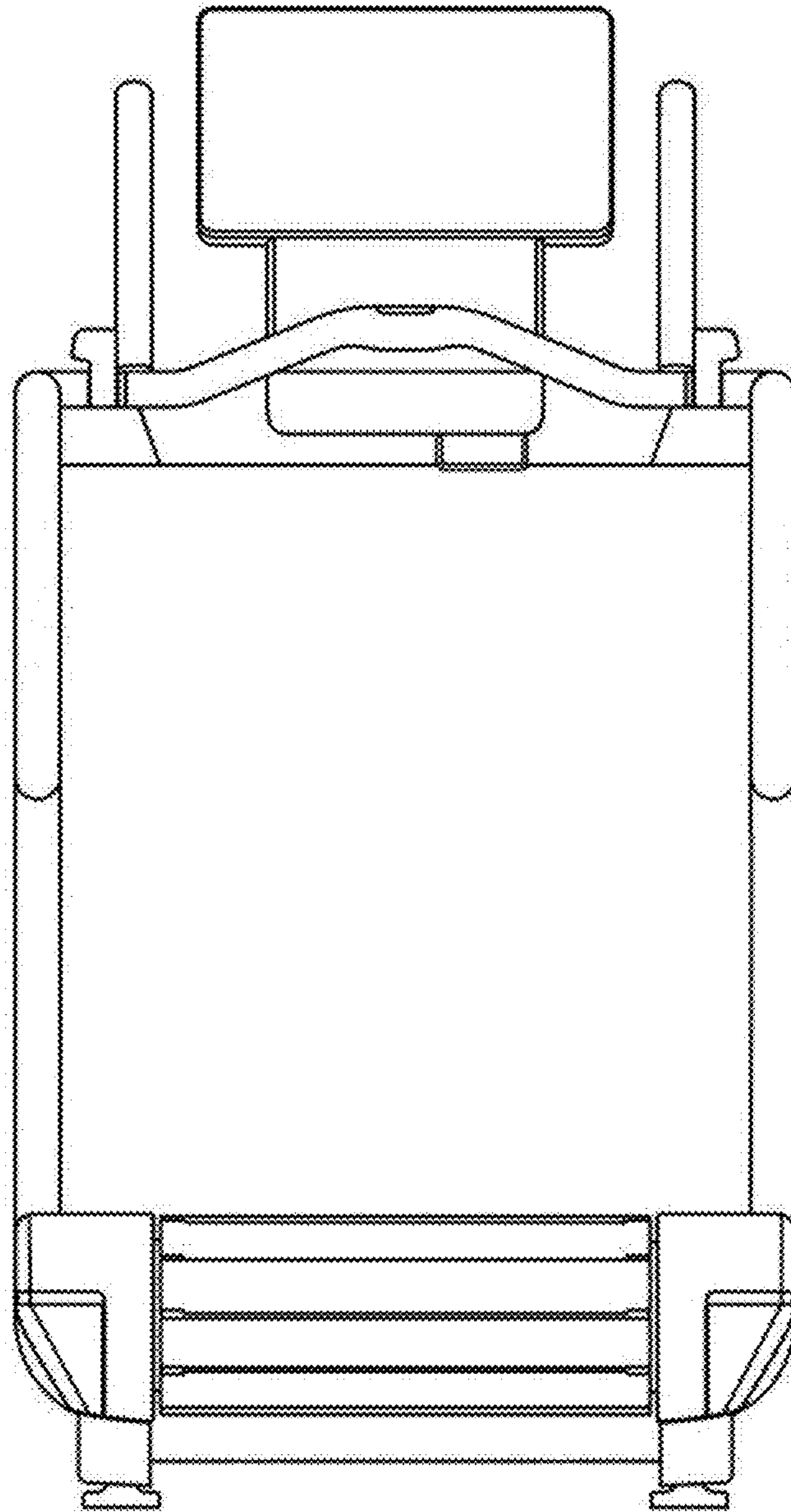


FIG. 3

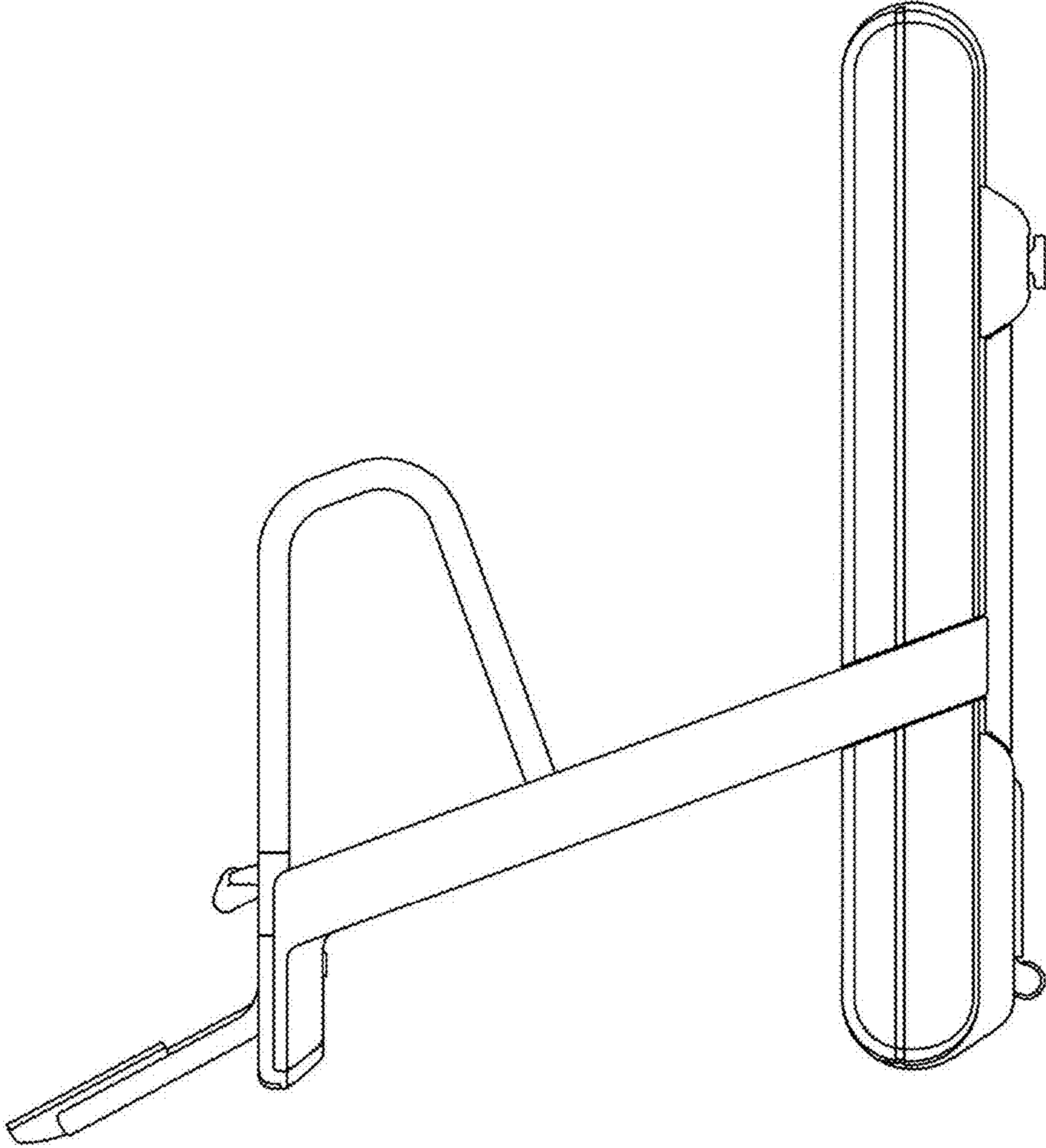


FIG. 4

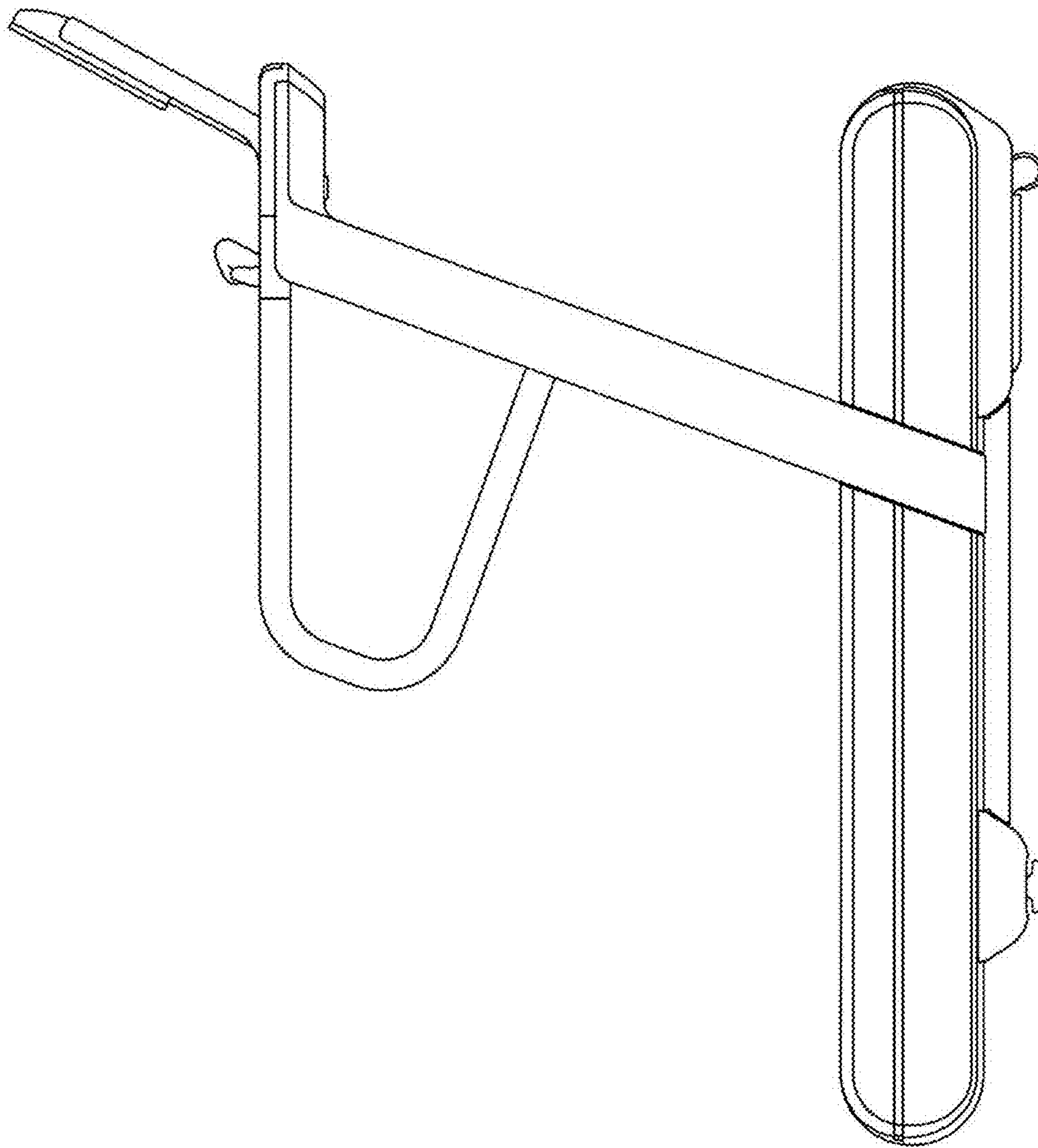


FIG. 5

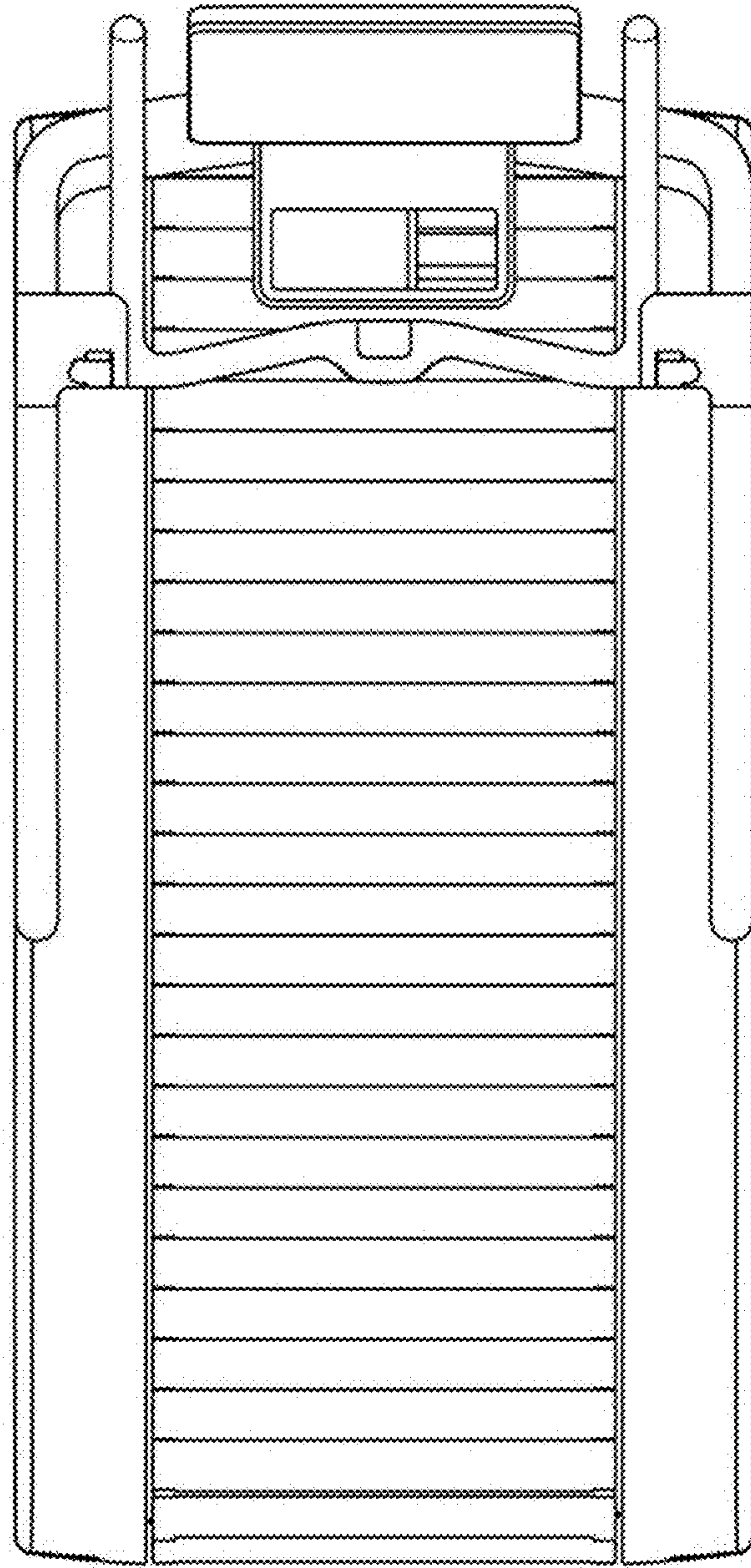


FIG. 6



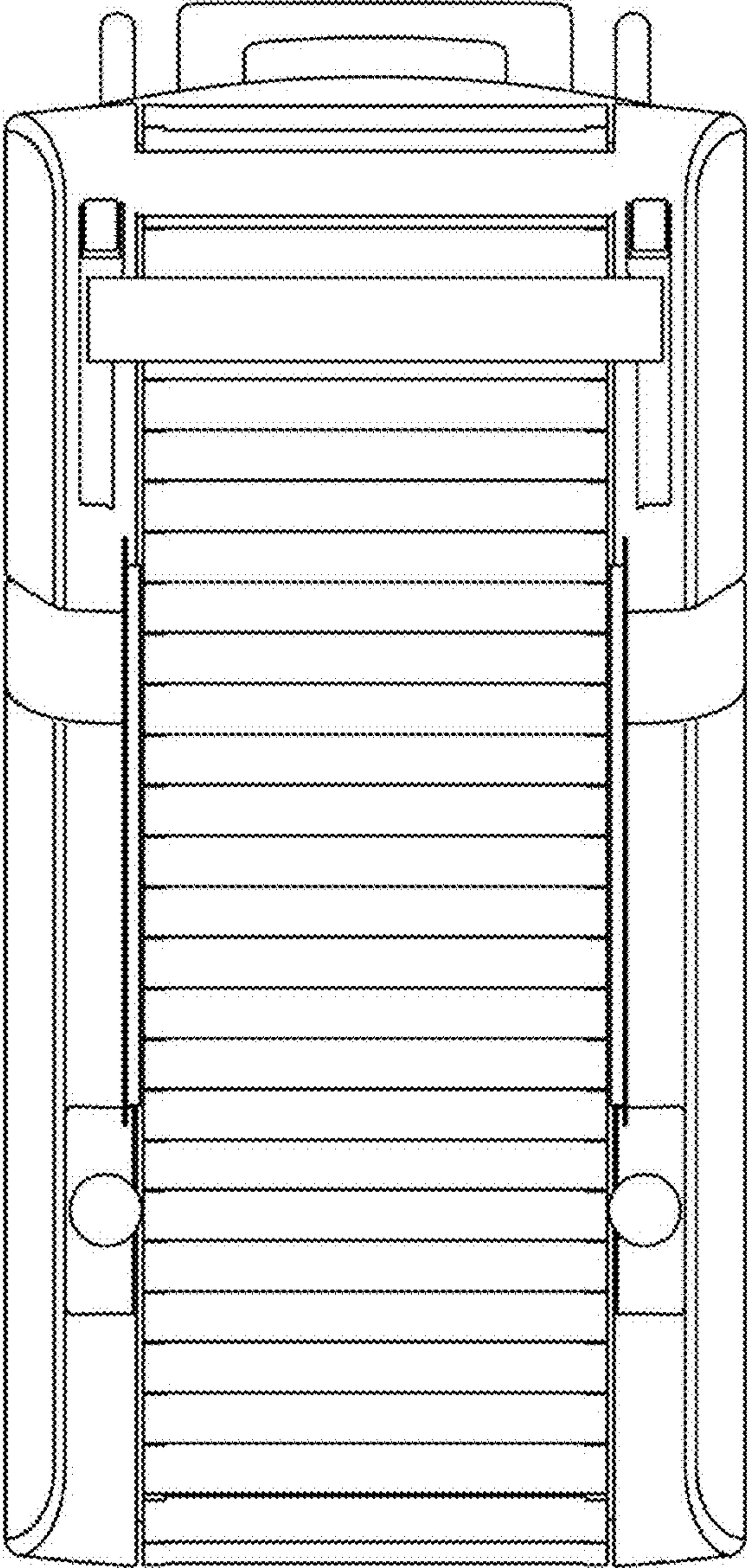


FIG. 7