



US00D859538S

(12) **United States Design Patent** (10) **Patent No.:** **US D859,538 S**  
**Stockwell** (45) **Date of Patent:** **\*\* Sep. 10, 2019**

(54) **TOY BUILDING BRICK**

3/46; E04C 1/00; E04C 1/40; E04B 2/14;  
E04B 2/16; E04B 2/18

(71) Applicant: **LEGO A/S**, Billund (DK)

See application file for complete search history.

(72) Inventor: **Michael Lee Stockwell**, Ry (DK)

(56) **References Cited**

(73) Assignee: **LEGO A/S**, Billund (DK)

U.S. PATENT DOCUMENTS

(\*\*) Term: **15 Years**

D281,263 S *	11/1985	Volpe .....	D21/504
D290,629 S *	6/1987	Bertrand .....	D21/504
D695,851 S *	12/2013	Holm .....	D21/504
D834,104 S *	11/2018	Bilodeau .....	D21/484

(21) Appl. No.: **29/645,224**

(22) Filed: **Apr. 24, 2018**

\* cited by examiner

**Related U.S. Application Data**

*Primary Examiner* — Zenia I Bennett

(62) Division of application No. 35/502,465, filed on Dec. 8, 2016 (U.S. filing date under 35 U.S.C. 384), and having an international filing date of Dec. 8, 2016, now Pat. No. Des. 830,477.

(74) *Attorney, Agent, or Firm* — Day Pitney LLP

(51) **LOC (12) Cl.** ..... **21-01**

(57) **CLAIM**

(52) **U.S. Cl.**

The ornamental design for toy building brick, as shown and described.

USPC ..... **D21/500**

**DESCRIPTION**

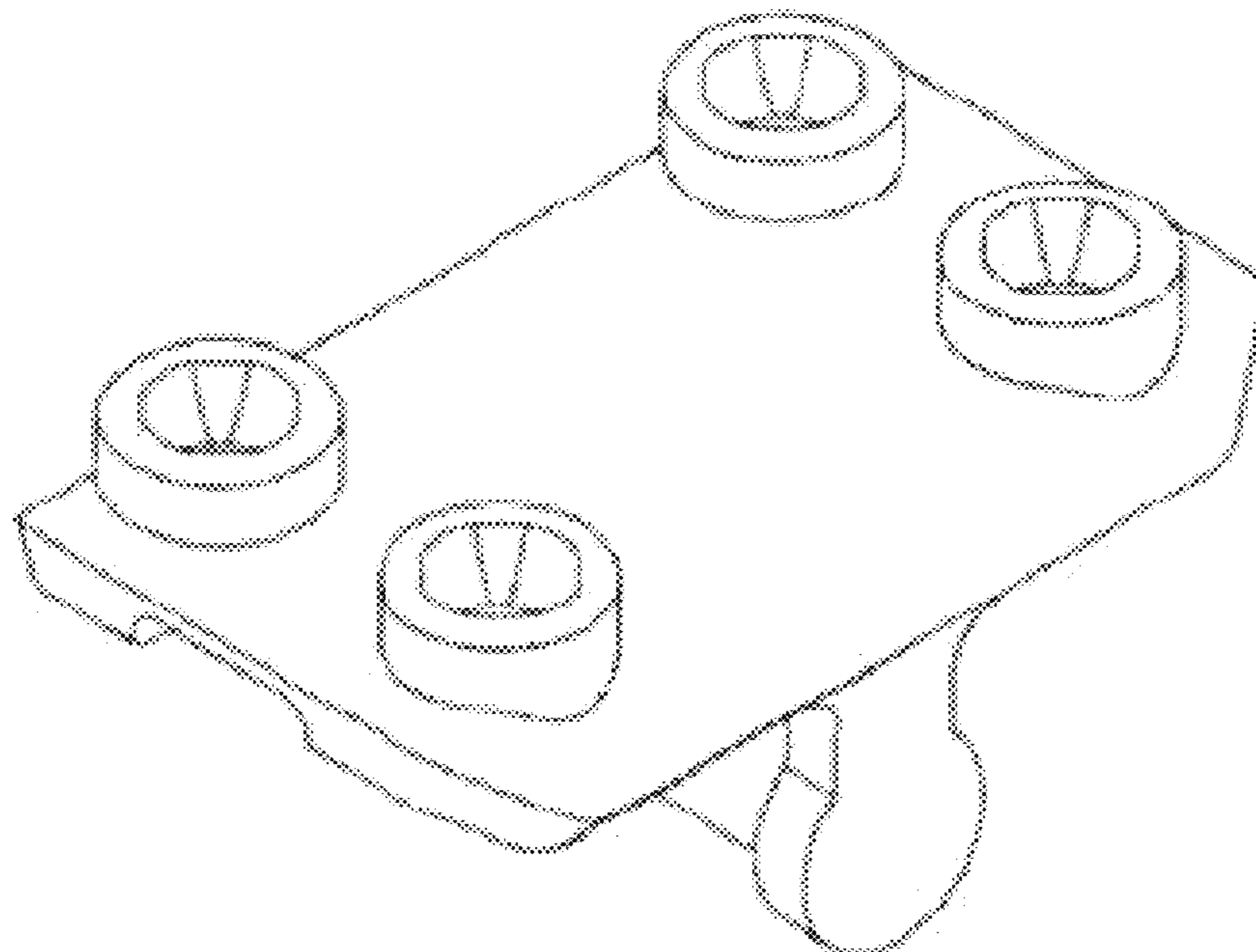
(58) **Field of Classification Search**

FIG. 1 is a front perspective view of my ornamental design for toy building brick;  
FIG. 2 is a top plan view thereof;  
FIG. 3 is a front elevational view thereof;  
FIG. 4 is a side elevational view thereof;  
FIG. 5 is a bottom plan view thereof; and,  
FIG. 6 is a bottom perspective view thereof.

USPC ..... D21/386, 389, 404, 468, 470, 471,  
D21/484–505

CPC ..... A63H 33/00; A63H 33/04; A63H 33/044;  
A63H 33/06; A63H 33/08; A63H 33/084;  
A63H 33/086; A63H 33/088; A63H  
33/10; A63H 33/12; A63H 33/105; A63H  
33/108; A63H 3/00; A63H 3/16; A63H

**1 Claim, 6 Drawing Sheets**



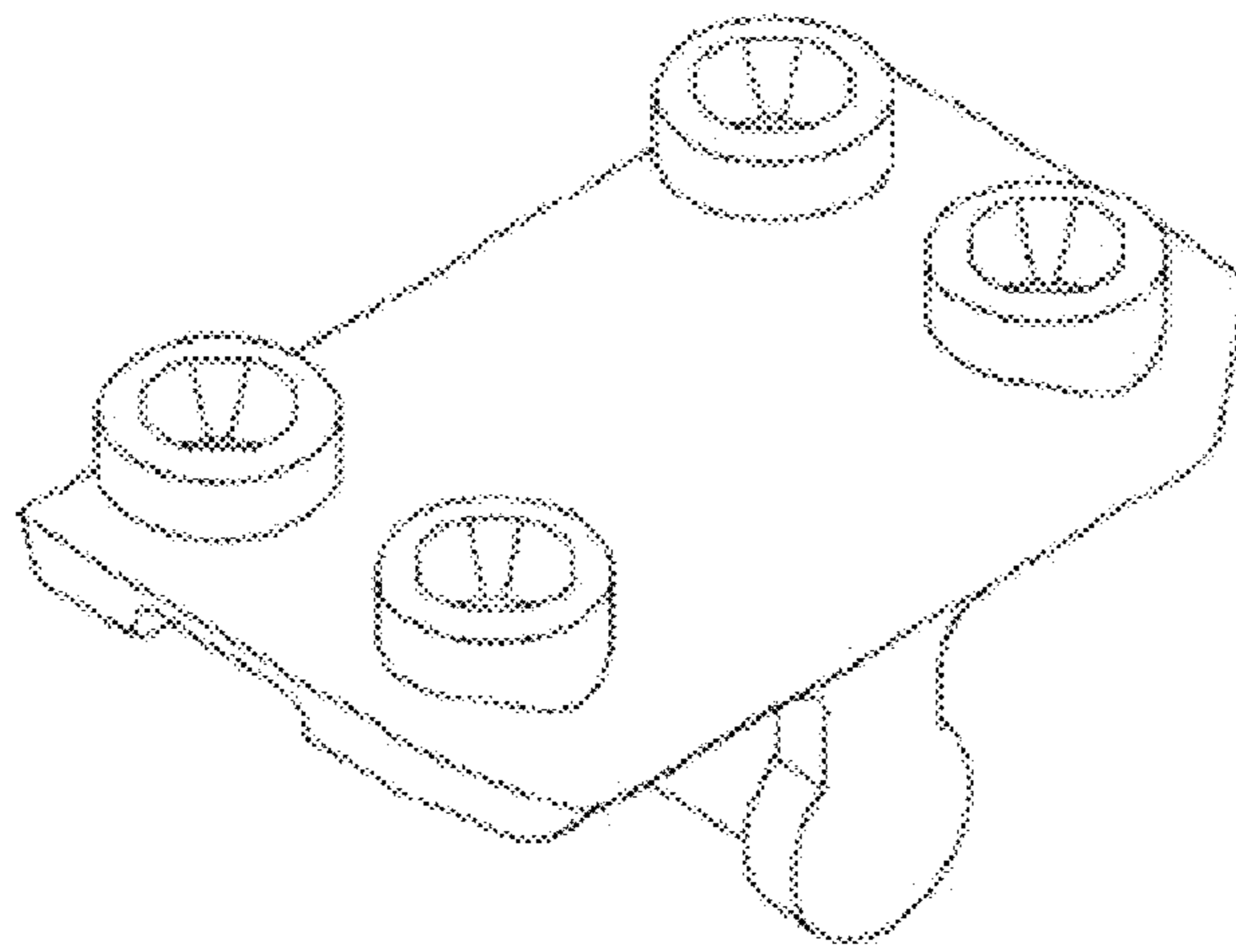


FIG. 1

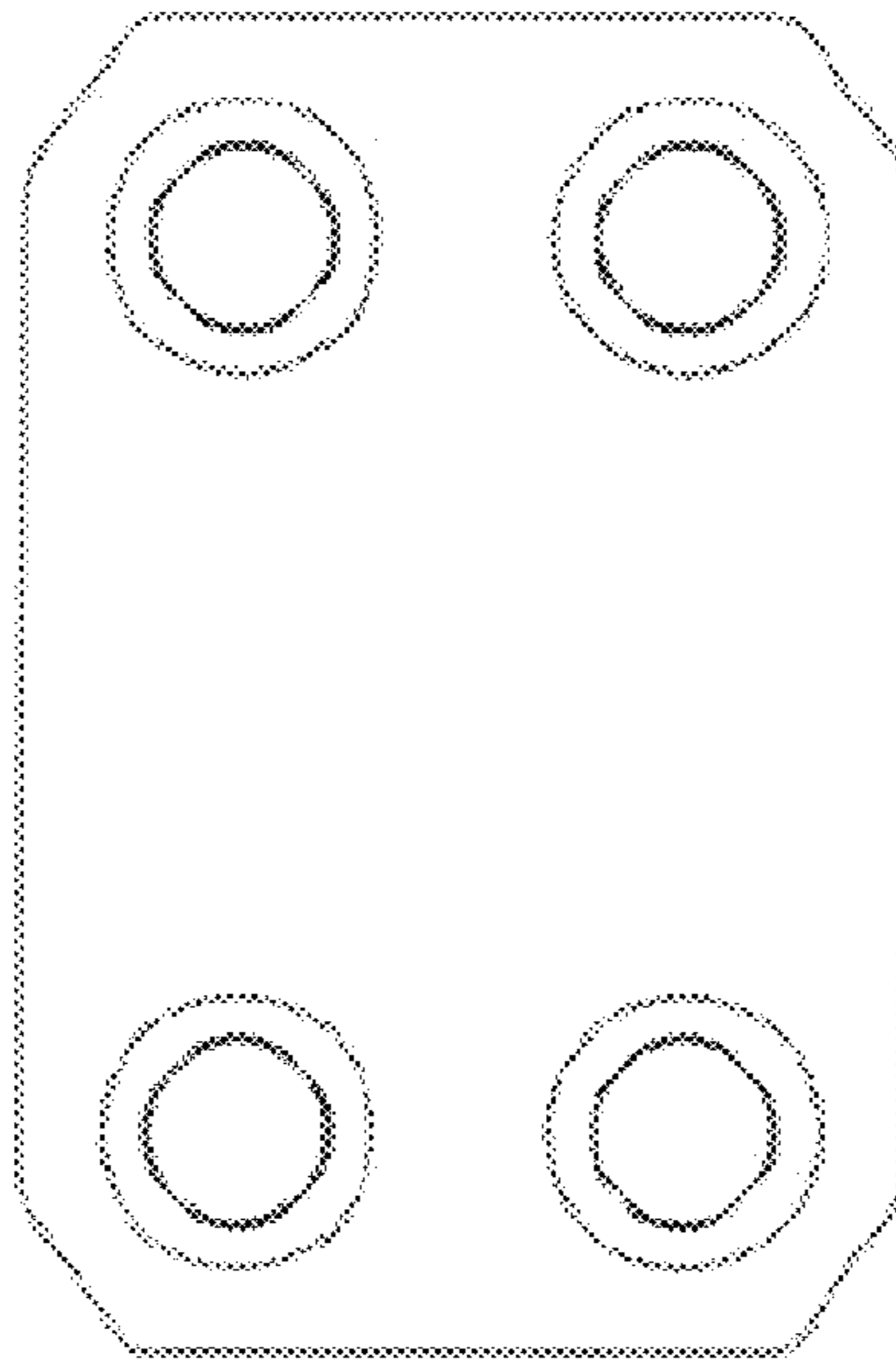
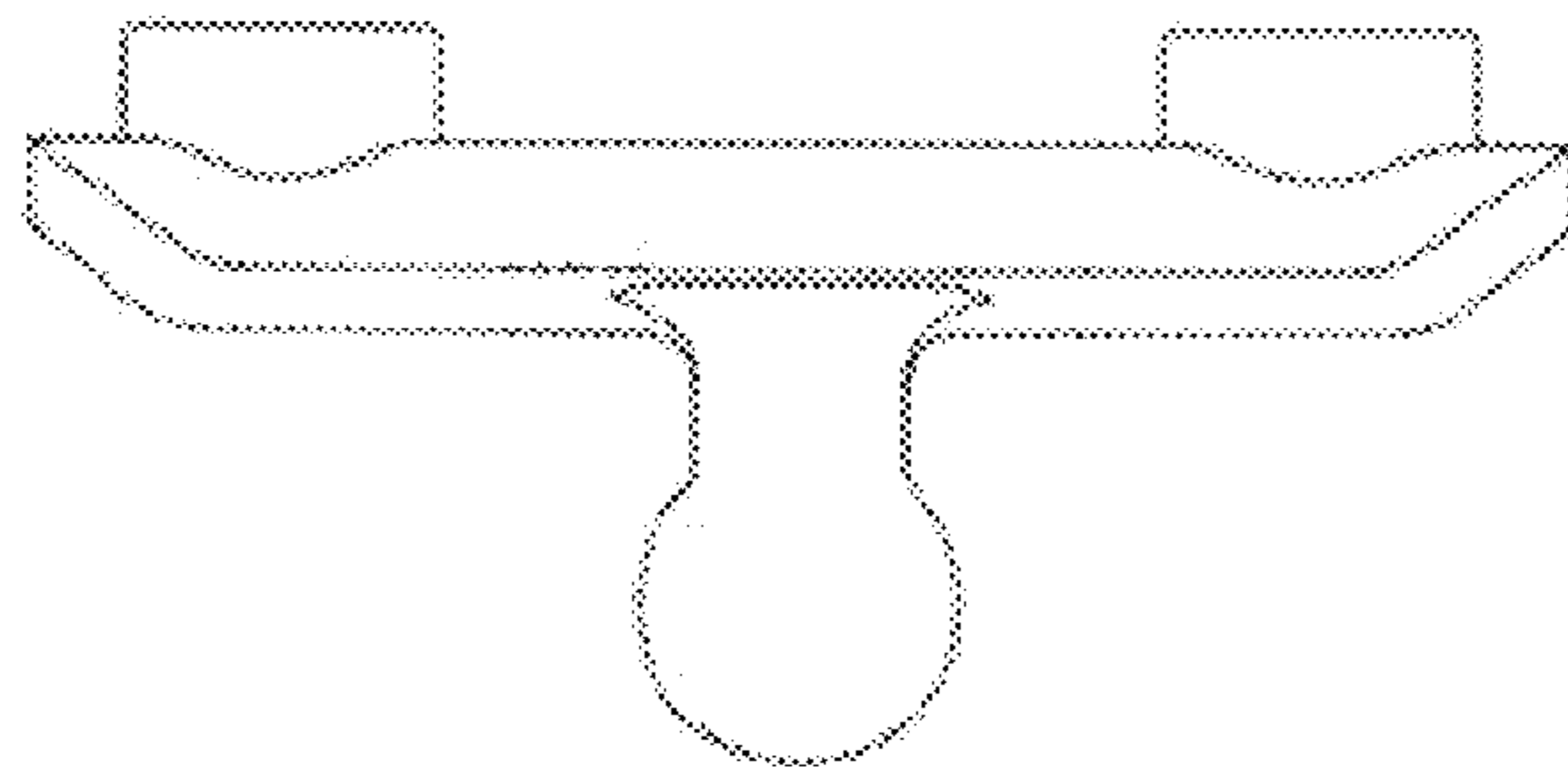
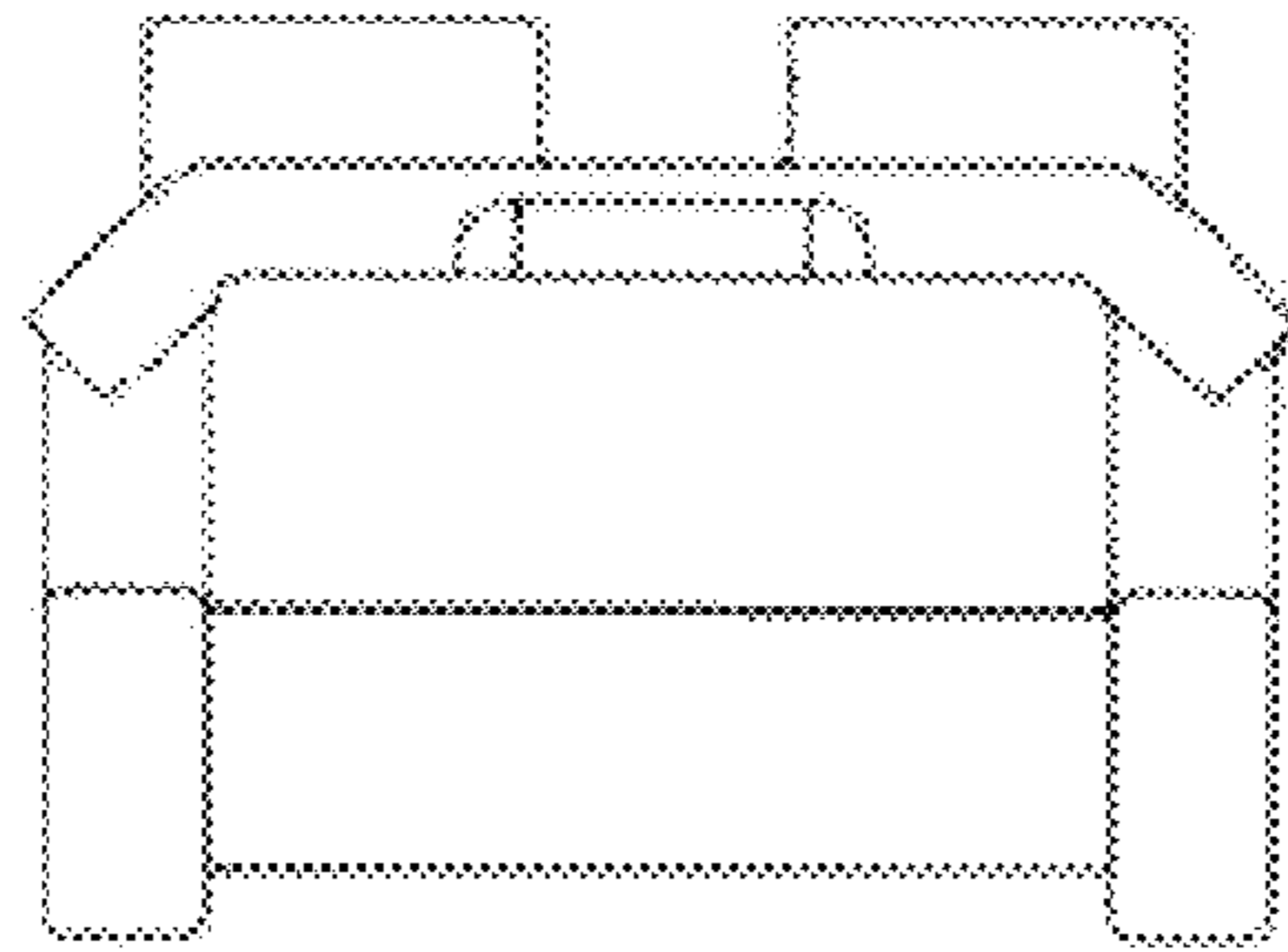


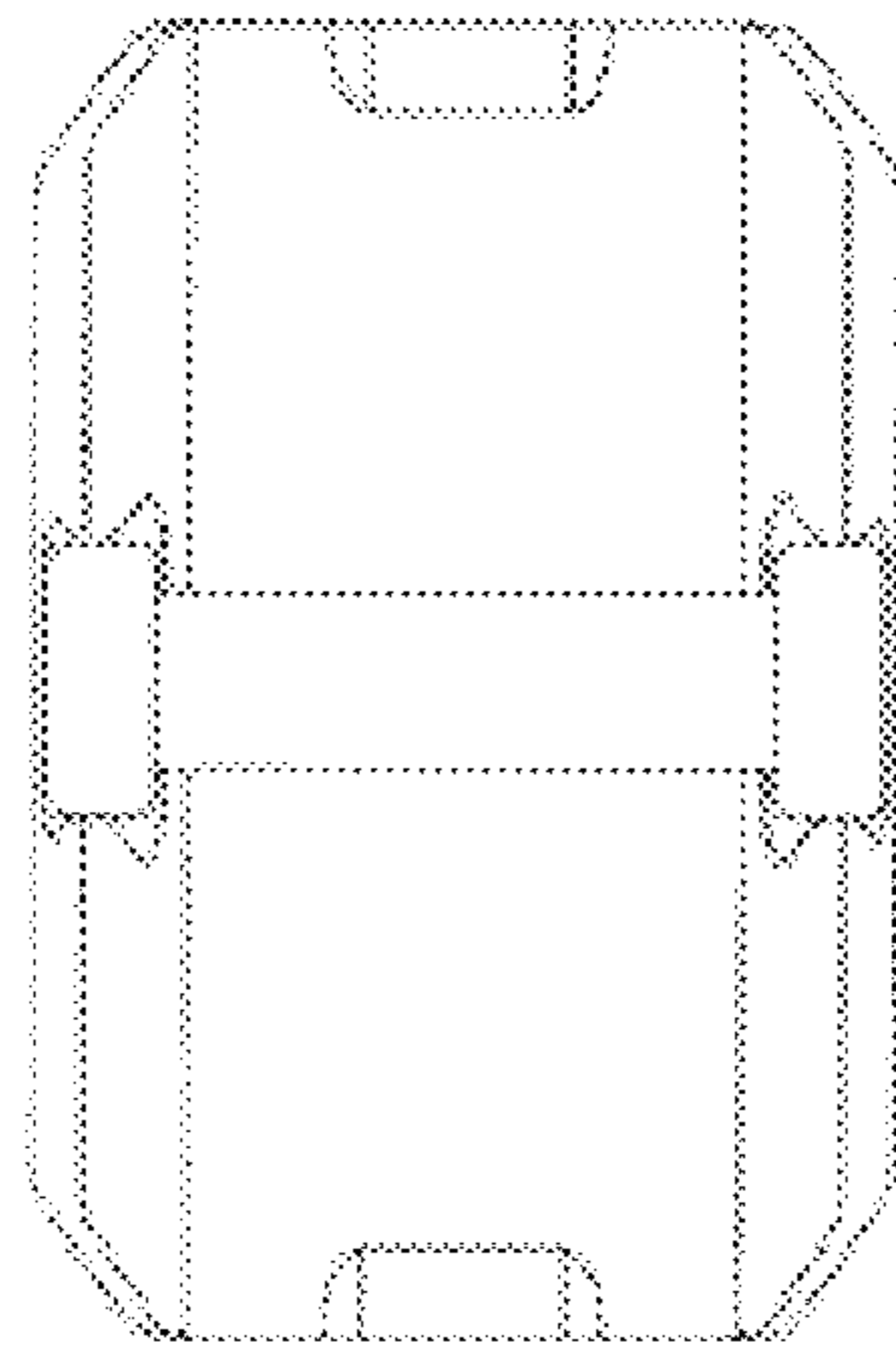
FIG. 2



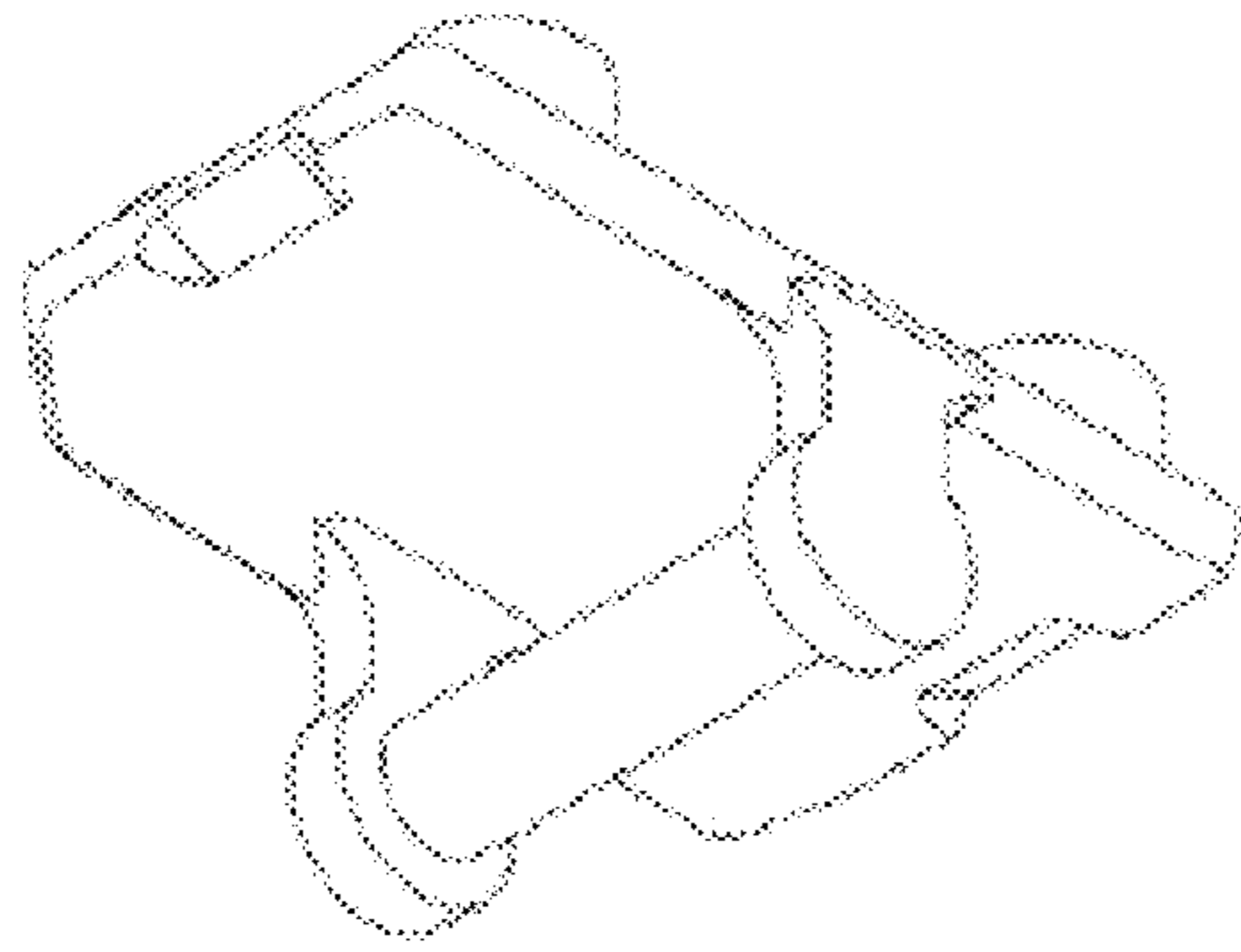
**FIG. 3**



**FIG. 4**



**FIG. 5**



**FIG. 6**