



US00D859537S

(12) **United States Design Patent** (10) **Patent No.:** **US D859,537 S**  
**McLachlan et al.** (45) **Date of Patent:** **\*\* Sep. 10, 2019**

(54) **HANDHELD TOUCH OBJECT**

(71) Applicant: **Antsy Labs, LLC**, Dacono, CO (US)  
(72) Inventors: **Matthew McLachlan**, Dacono, CO (US); **Mark McLachlan**, Frederick, CO (US)

(73) Assignee: **Antsy Labs, LLC**, Dacono, CO (US)

(\*\*) Term: **15 Years**

(21) Appl. No.: **29/663,702**

(22) Filed: **Sep. 18, 2018**

**Related U.S. Application Data**

(63) Continuation of application No. 29/615,501, filed on Aug. 29, 2017, now Pat. No. Des. 829,828, which is a continuation-in-part of application No. 29/590,129, filed on Jan. 6, 2017, now Pat. No. Des. 818,054.

(51) **LOC (12) Cl.** ..... **21-01**

(52) **U.S. Cl.**

USPC ..... **D21/468**; D21/398; D21/475

(58) **Field of Classification Search**

USPC ..... D21/300, 324, 331, 333, 385, 386, 373, D21/398, 404, 405, 406, 455, 468, 470, D21/471, 474, 475, 476, 477, 478, 479, D21/499; D3/208; D99/99; D19/59, 60, D19/95, 100, 123, 136, 202; D24/188, D24/193, 200, 211, 214; D14/357, 358, D14/388, 400, 401, 412, 415, 454-457; D13/158-178; 446/71, 227, 236, 397, 446/404, 487, 489, 491

CPC ..... A63H 5/00; A63H 33/00; A63H 2200/00; A63F 2009/0007; A63F 2009/0027; A63F 2009/0049; A63F 2009/24-241; A63F

(Continued)

(56) **References Cited**

**U.S. PATENT DOCUMENTS**

3,225,460 A \* 12/1965 Randell ..... A63F 9/24  
273/460  
D251,993 S \* 5/1979 Birdsall ..... D21/405  
D296,451 S \* 6/1988 Ming ..... D21/470

(Continued)

**FOREIGN PATENT DOCUMENTS**

CN 303997727 \* 1/2017  
CN 304082333 \* 3/2017

(Continued)

**OTHER PUBLICATIONS**

Antsy Labs Fidget Cube, YouTube video published Aug. 31, 2016 at <https://www.youtube.com/watch?v=m5eqOTVxCKw>: Screen shots of the main page and 2:02, 3:28, 3:51,3:56, 3:59, 4:06, 4:07, 4:14, 4:15, 4:22, 4:24, 4:32, 4:36, 4:43, 4:56, 4:52. [accessed Mar. 2, 2018] (Year: 2016).\*

(Continued)

*Primary Examiner* — Catherine A Tuttle

(74) *Attorney, Agent, or Firm* — Polsinelli PC

(57) **CLAIM**

The ornamental design for a handheld touch object, as shown and described.

**DESCRIPTION**

FIG. 1 is a right, back and bottom perspective view of the handheld touch object showing our new design.

FIG. 2 is a top, front and left perspective view thereof.

FIG. 3 is a front elevation view thereof.

FIG. 4 is a back elevation view thereof.

FIG. 5 is a top plan view thereof.

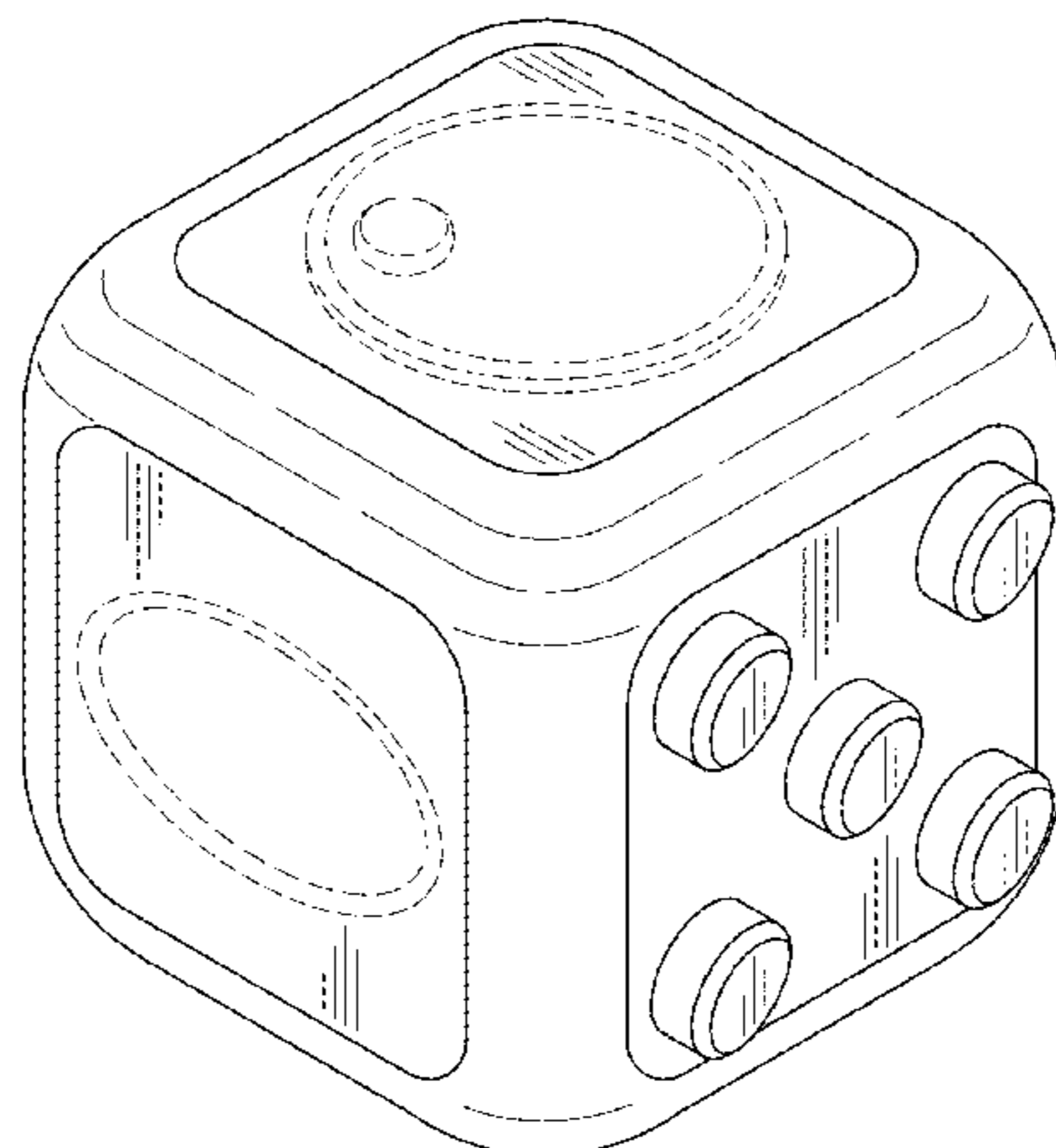
FIG. 6 is a bottom plan view thereof.

FIG. 7 is a right side view thereof; and,

FIG. 8 is a left side view thereof.

The dashed lines represent features of the handheld touch object that form no part of the claimed design.

**1 Claim, 5 Drawing Sheets**



(58) **Field of Classification Search**

CPC ..... 2009/2438; A63F 9/001; A63F 9/0826;  
 A63F 2250/025; A63F 2250/48  
 See application file for complete search history.

(56) **References Cited**

U.S. PATENT DOCUMENTS

4,929,211 A \* 5/1990 Resnick et al.  
 5,292,276 A \* 3/1994 Manalo ..... G09B 19/00  
 434/258  
 D359,315 S \* 6/1995 Tacey ..... D21/499  
 D377,396 S \* 1/1997 Maurel ..... D21/499  
 D391,999 S \* 3/1998 Chininis ..... D21/475  
 D506,023 S \* 6/2005 Huang ..... D21/373  
 7,238,026 B2 \* 7/2007 Brown ..... G09B 1/36  
 434/258  
 D616,045 S \* 5/2010 Tervo ..... D21/499  
 8,408,549 B2 \* 4/2013 Howard ..... A63F 9/0413  
 273/146  
 D698,869 S \* 2/2014 Strzelewicz ..... D21/499  
 D722,658 S \* 2/2015 Marschall ..... D21/499  
 D745,903 S \* 12/2015 Armani ..... D15/122  
 D754,263 S \* 4/2016 Wolff ..... D21/499  
 D760,324 S \* 6/2016 Akimoto ..... D21/499

D765,189 S \* 8/2016 Kiribuchi ..... D21/499  
 D806,178 S \* 12/2017 Chow ..... D21/475  
 D818,054 S \* 5/2018 McLachlan ..... D21/468  
 D837,306 S \* 1/2019 Patison ..... D21/499  
 2004/0259466 A1 \* 12/2004 Maxwell ..... A63H 33/042  
 446/487  
 2015/0202544 A1 \* 7/2015 Snee, Jr. .... A63H 33/00  
 434/236  
 2016/0030854 A1 \* 2/2016 Shaanti ..... A63H 33/042  
 446/85  
 2018/0193998 A1 \* 7/2018 Shin ..... A63H 33/086

FOREIGN PATENT DOCUMENTS

CN 301999293 \* 7/2017  
 CN 300713262 \* 11/2017

OTHER PUBLICATIONS

Fidget Cube: A Vinyl Desk Toy. <https://web.archive.org/web/20160912092344/https://www.kickstarter.com/projects/antsylabs/fidget-cube-a-vinyl-desk-toy/> Web Archive capture date: Sep. 12, 2016, accessed Nov. 22, 2017. (Year: 2016).  
 Canadian Office Action, CA2997475, dated Jan. 17, 2019.

\* cited by examiner

FIG. 1

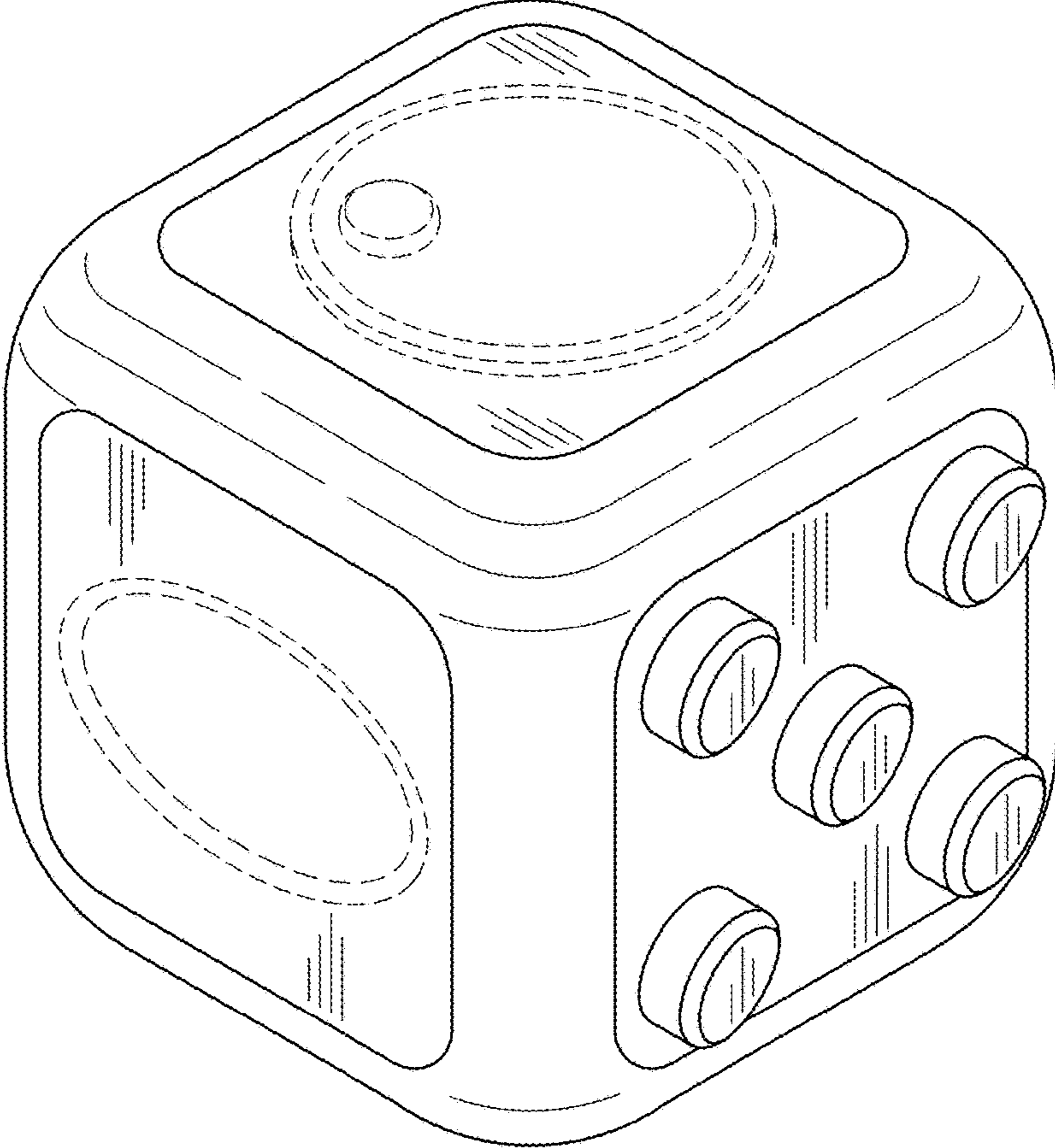


FIG. 2

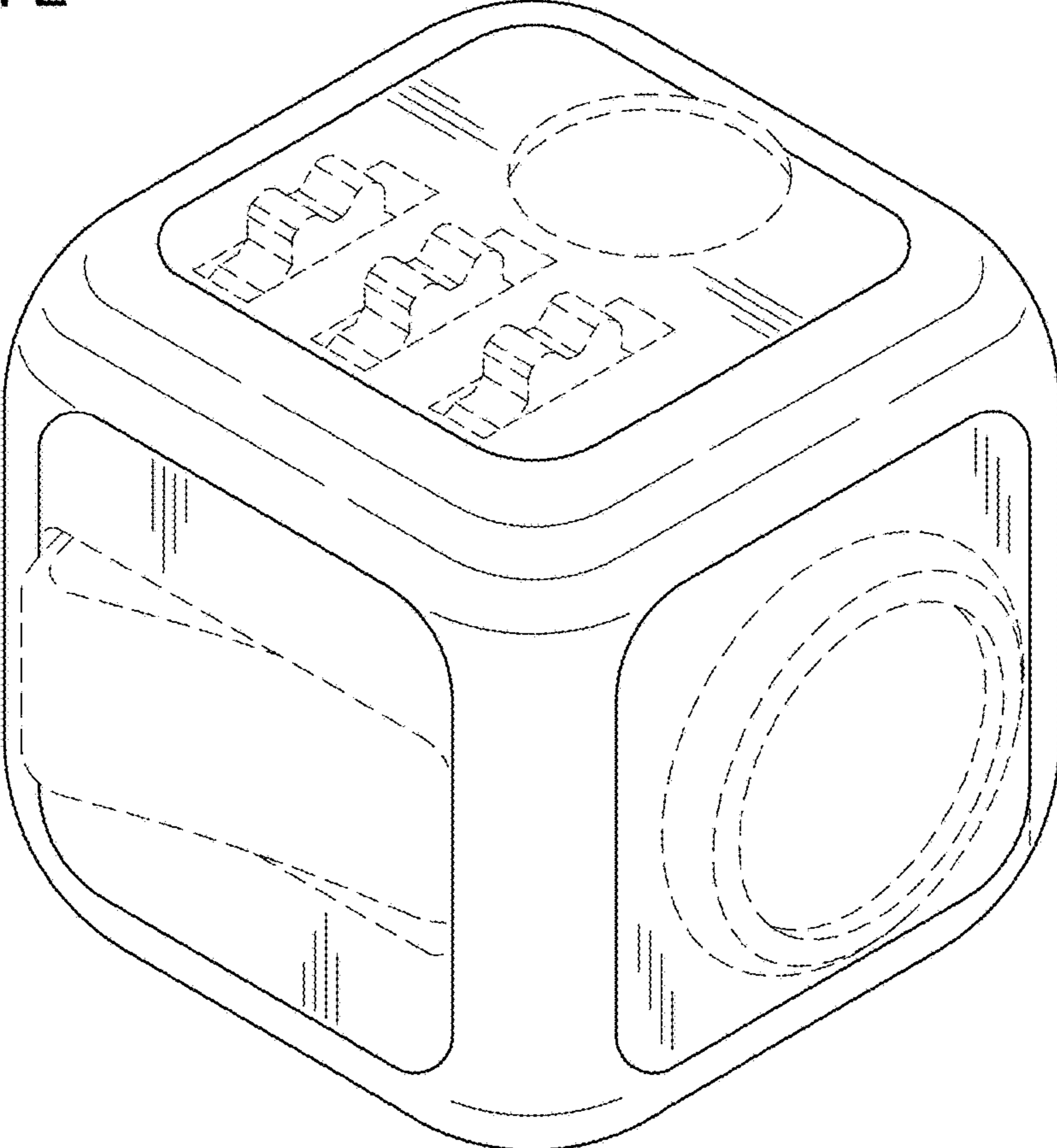


FIG. 3

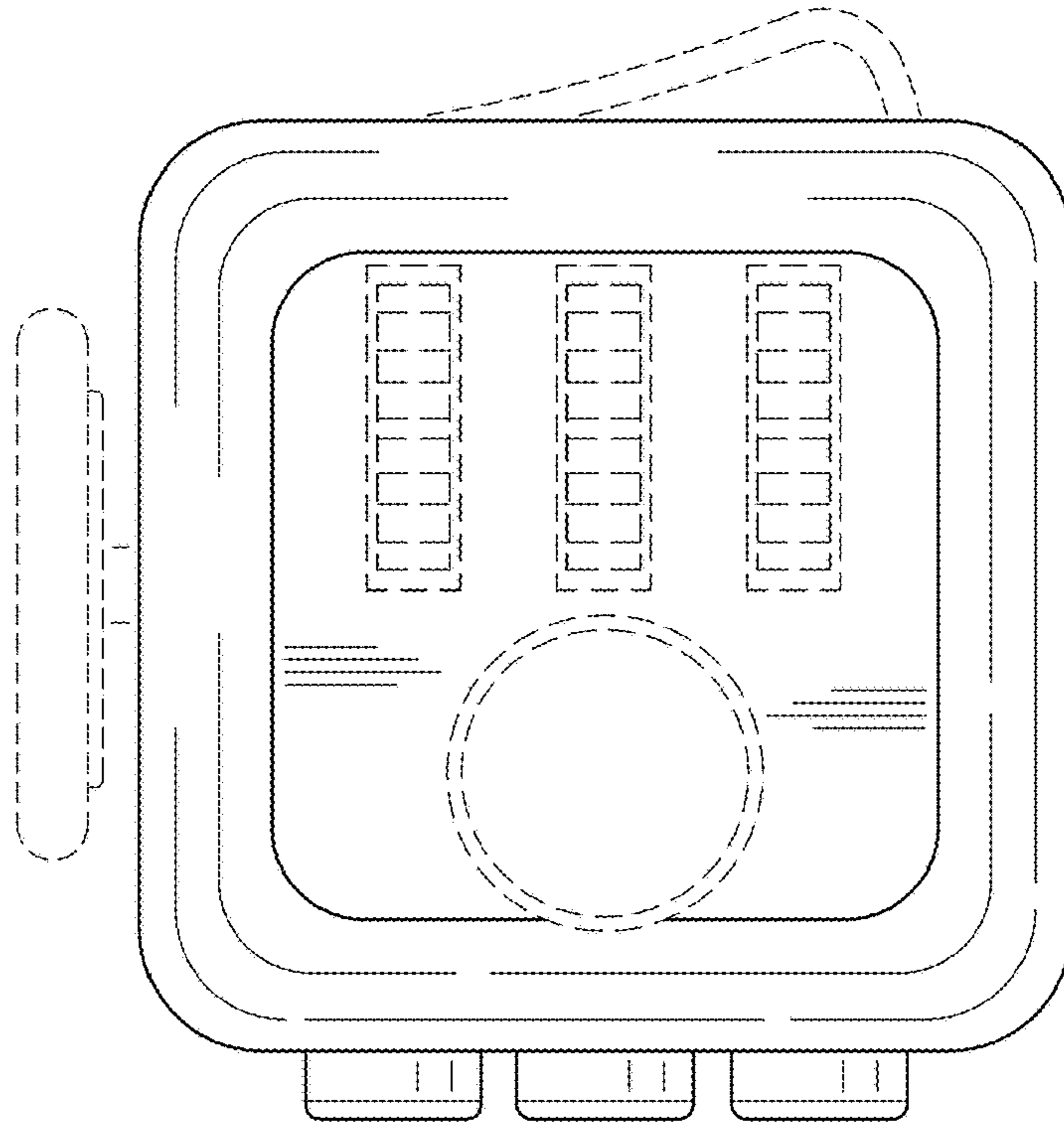


FIG. 4

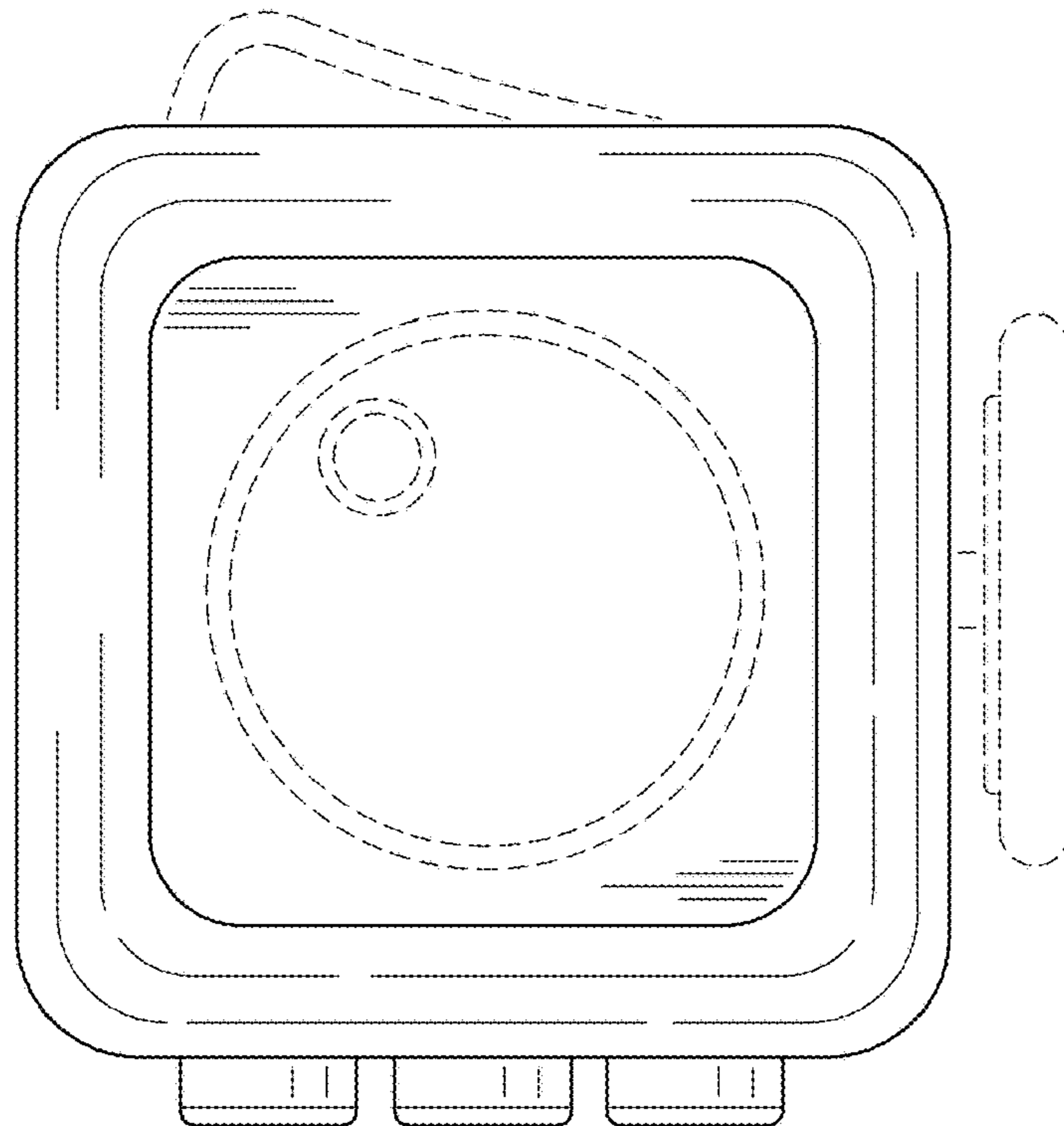


FIG. 5

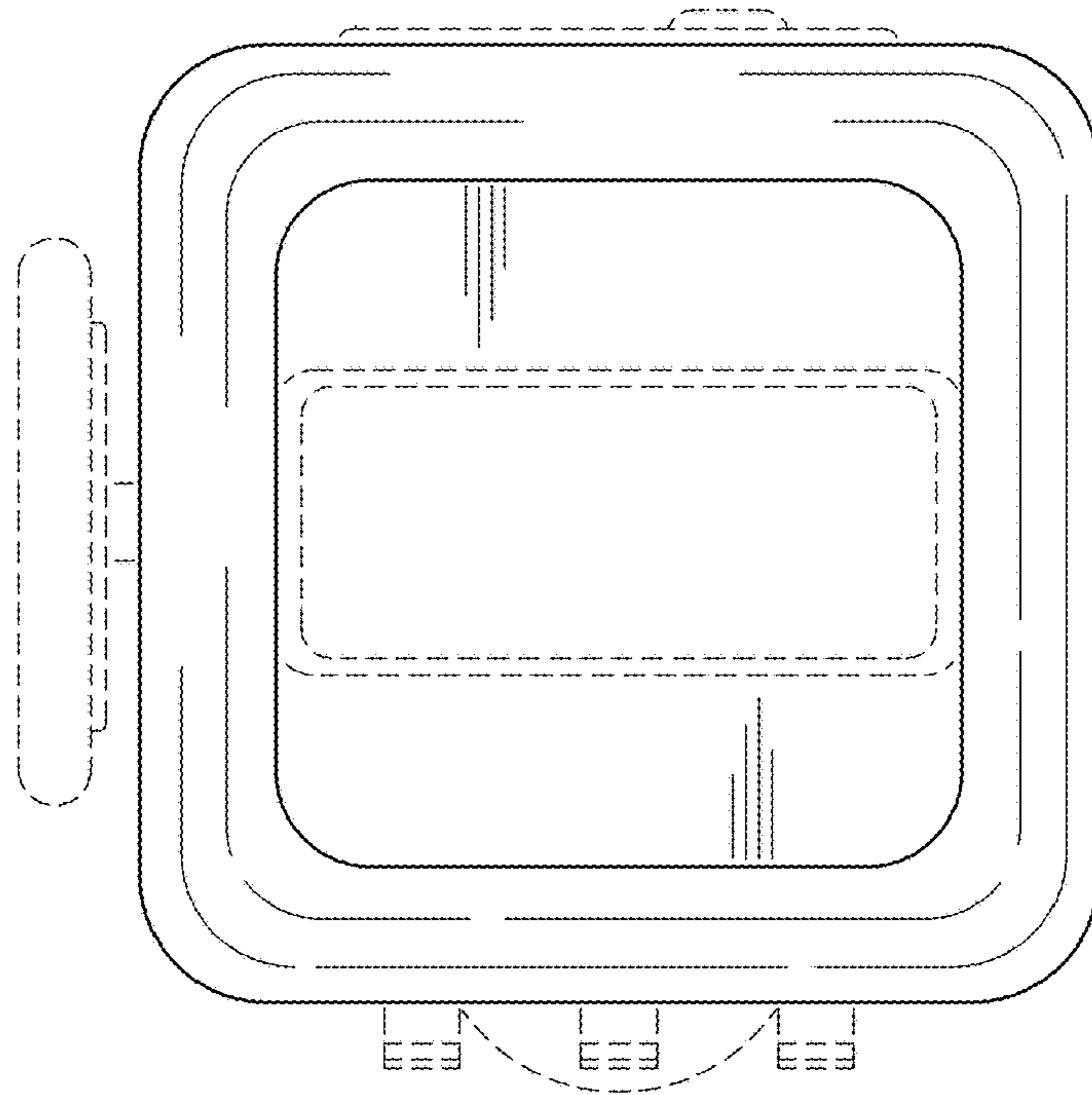


FIG. 6

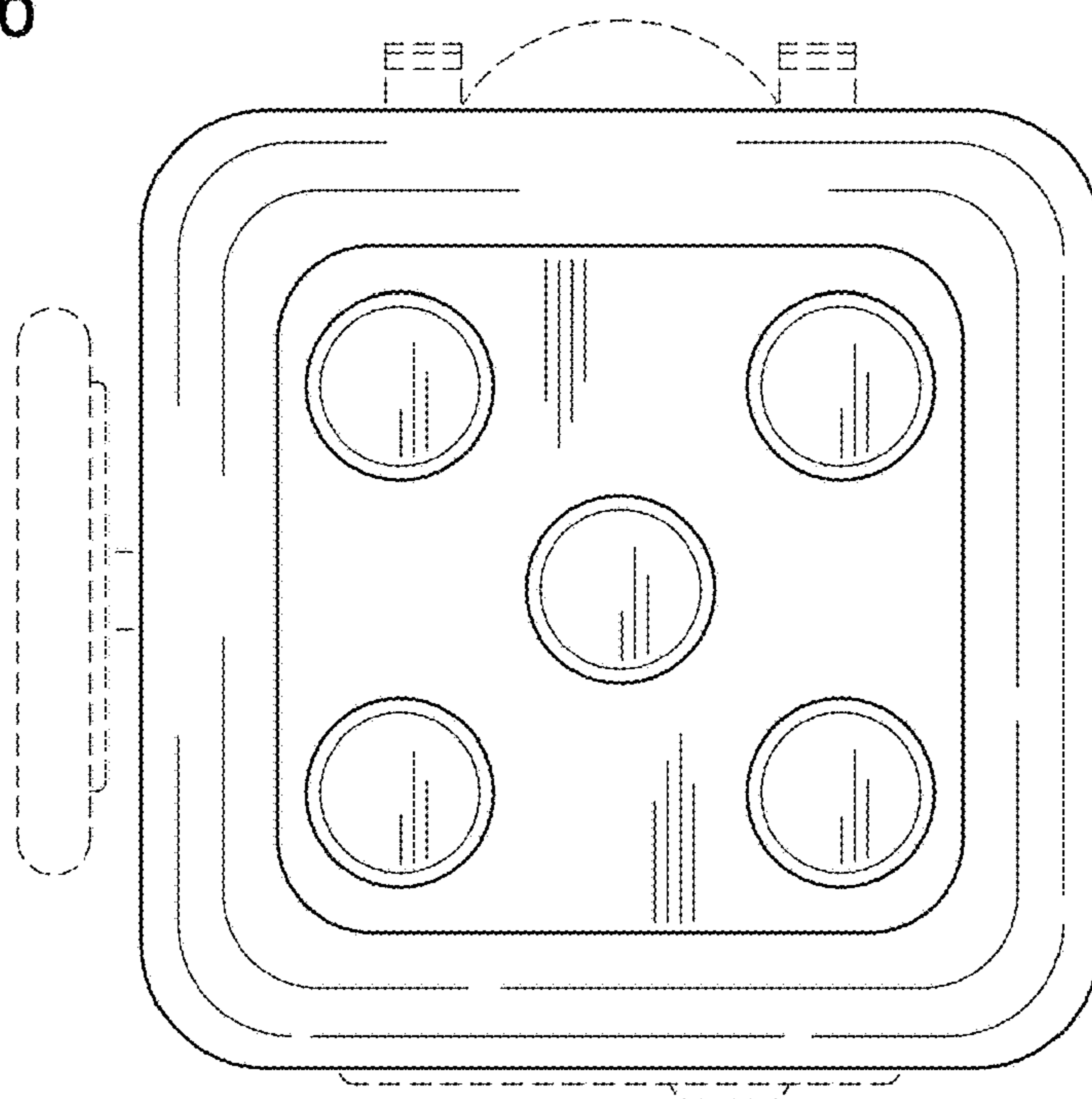


FIG. 7

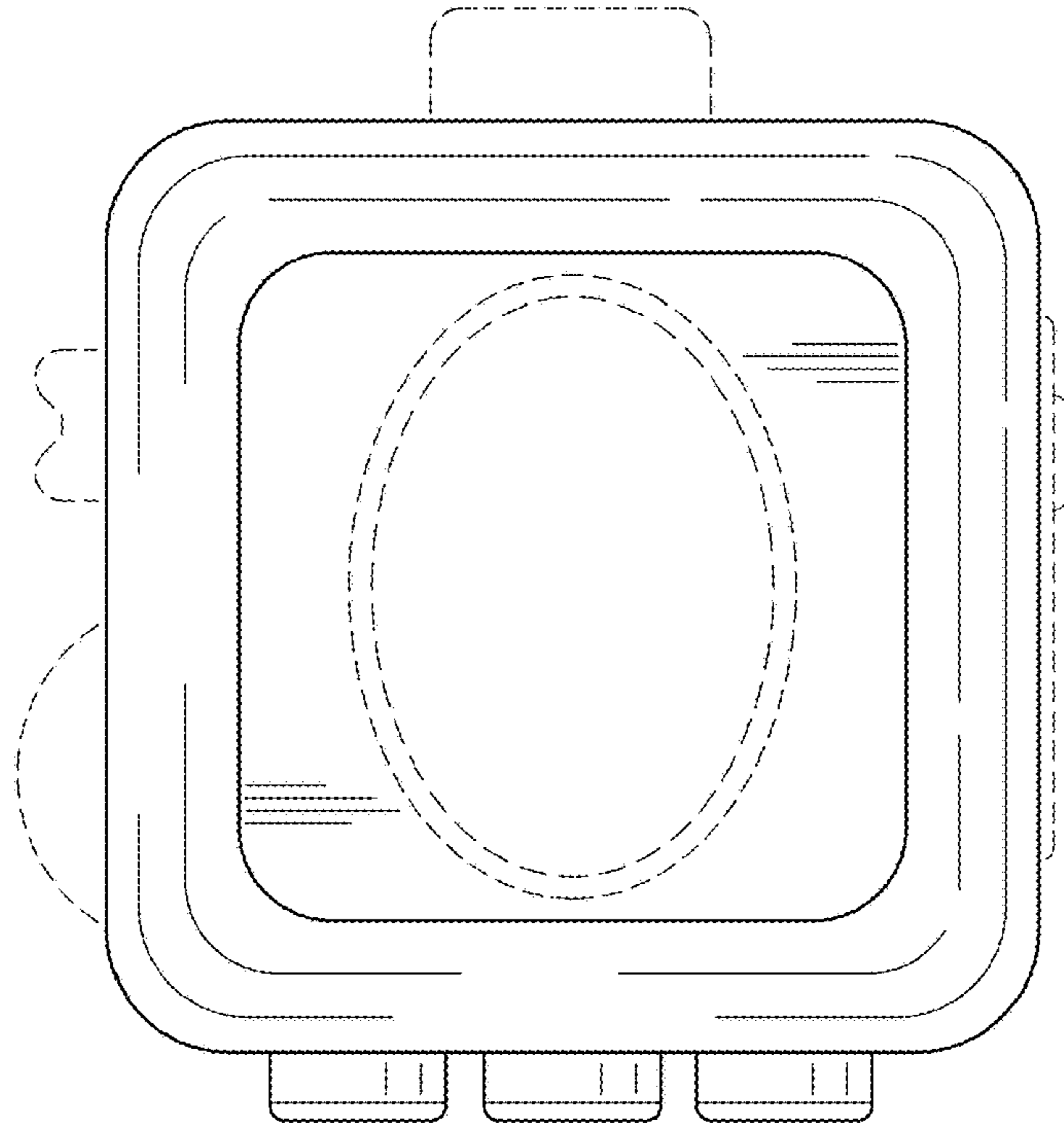


FIG. 8

