



(12) **United States Design Patent** (10) **Patent No.:** **US D859,535 S**
Li (45) **Date of Patent:** **** Sep. 10, 2019**

(54) **THREE-WHEELED ELECTRIC SCOOTER**

(71) Applicant: **Shenzhen Zhouwu Technology Co., Ltd.**, Shenzhen (CN)

(72) Inventor: **Xing-Rui Li**, Shenzhen (CN)

(73) Assignee: **Shenzhen Zhouwu Technology Co., Ltd.**, Shenzhen (CN)

(**) Term: **15 Years**

(21) Appl. No.: **29/656,016**

(22) Filed: **Jul. 10, 2018**

(30) **Foreign Application Priority Data**

Apr. 19, 2018 (CN) 2018 3 0191818

(51) **LOC (12) Cl.** **21-01**

(52) **U.S. Cl.**
USPC **D21/423**

(58) **Field of Classification Search**
USPC D21/419, 421, 423, 760, 765, 771;
D12/1, 8, 107, 110, 112, 113, 114
CPC B62K 3/002; B62K 9/00; B62K 2202/00;
B60Y 2200/126
See application file for complete search history.

(56) **References Cited**

U.S. PATENT DOCUMENTS

6,120,044 A * 9/2000 Tsai B62K 15/006
280/639
D638,496 S * 5/2011 Scolari D21/423

D648,402 S * 11/2011 Wang D21/423
D665,857 S * 8/2012 Scolari D21/423
D672,400 S * 12/2012 Pizzi D21/423
D693,885 S * 11/2013 Ouboter D21/423

* cited by examiner

Primary Examiner — Cynthia M. Chin

(74) *Attorney, Agent, or Firm* — ScienBiziP, P.C.

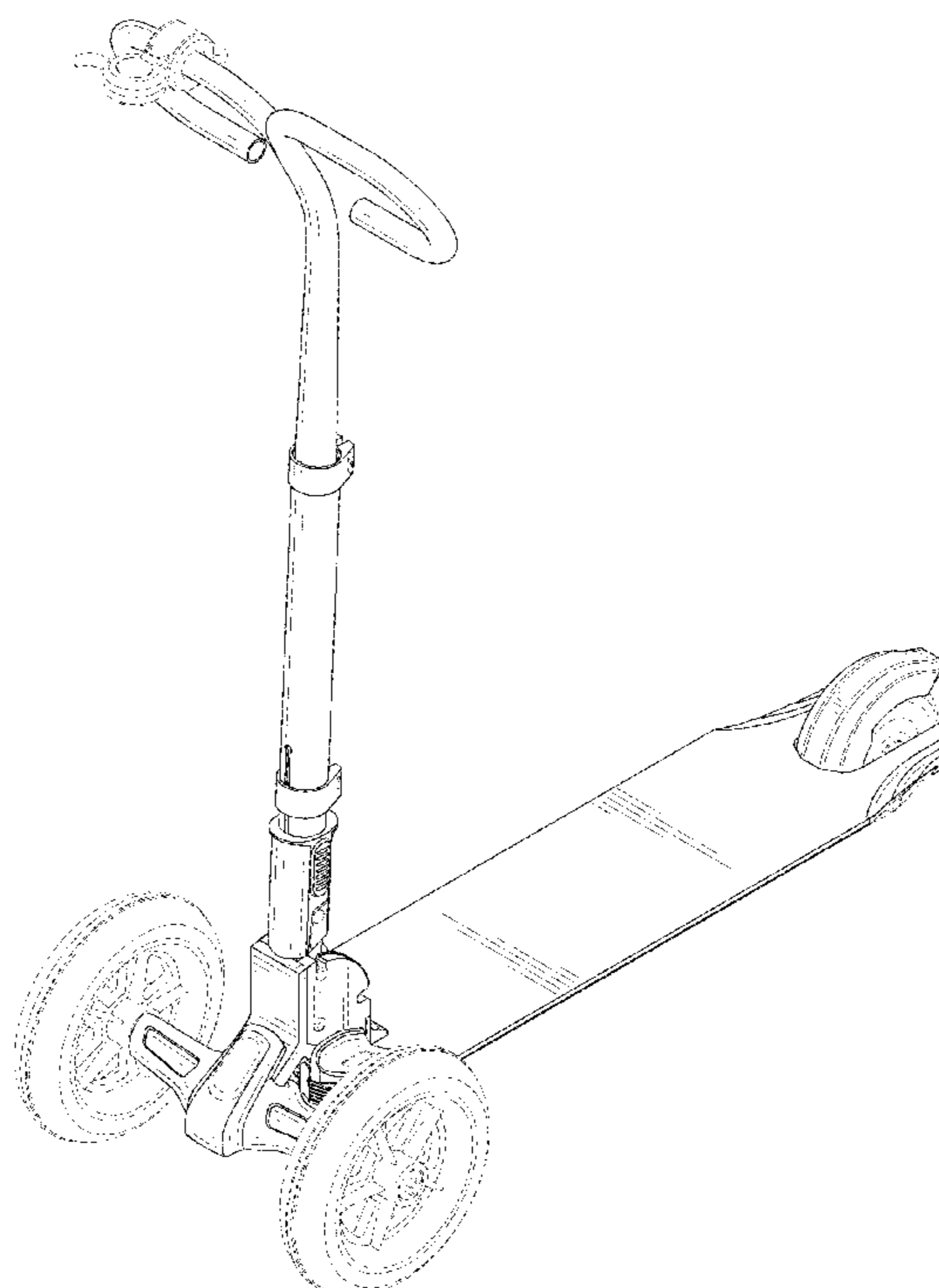
(57) **CLAIM**

The ornamental design for a three-wheeled electric scooter, as shown and described.

DESCRIPTION

FIG. 1 is a first perspective view of a three-wheeled electric scooter, showing the claimed new design; FIG. 2 is a second perspective view thereof; FIG. 3 is a front elevation view thereof; FIG. 4 is a rear elevation view thereof; FIG. 5 is a left side elevation view thereof; FIG. 6 is a right side elevation view thereof; FIG. 7 is a top plan view thereof; and, FIG. 8 is a bottom plan view thereof. The broken lines shown are included for the purpose of illustrating portions of the article which form no part of the claimed design.

1 Claim, 8 Drawing Sheets



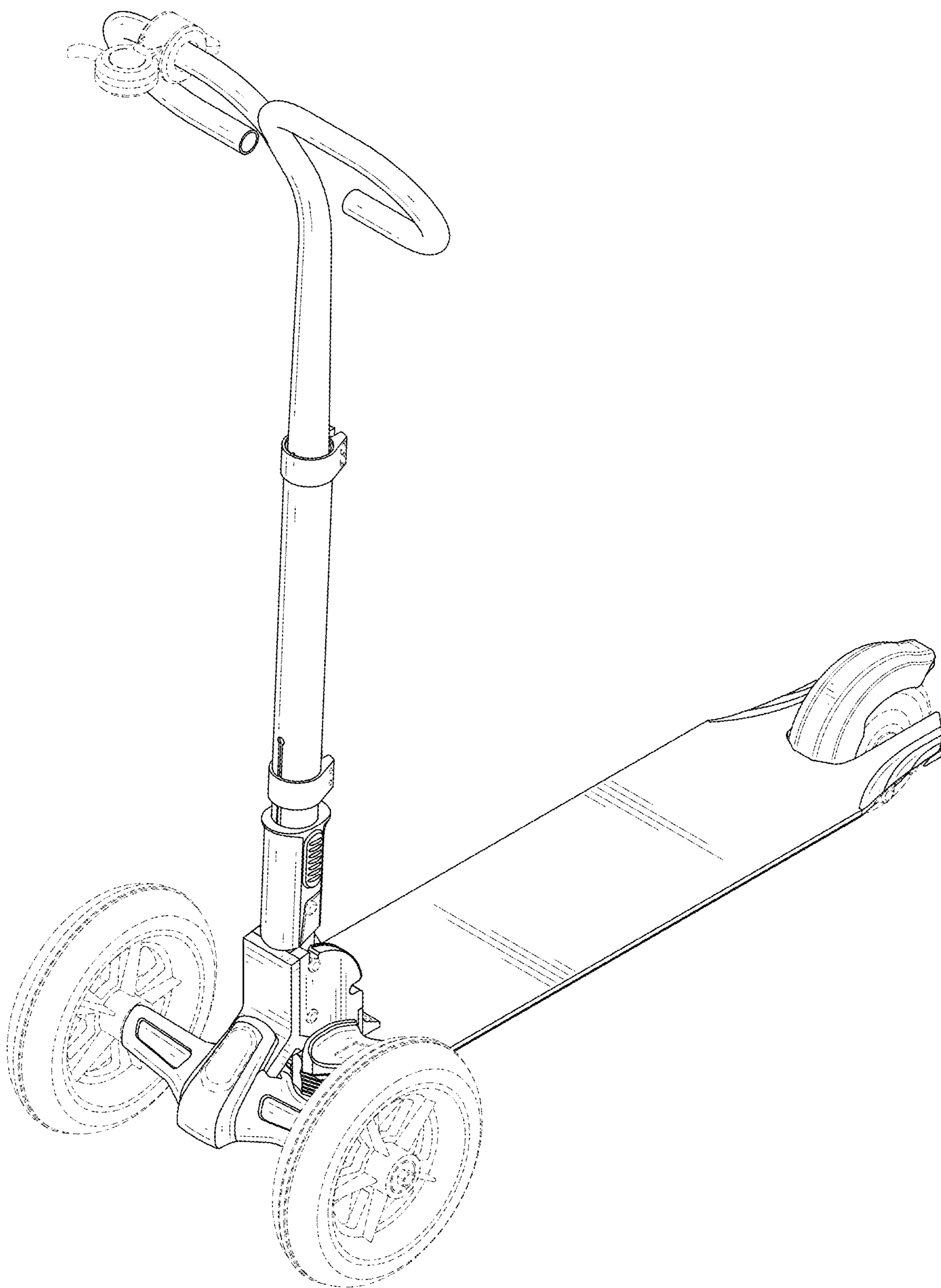


FIG. 1

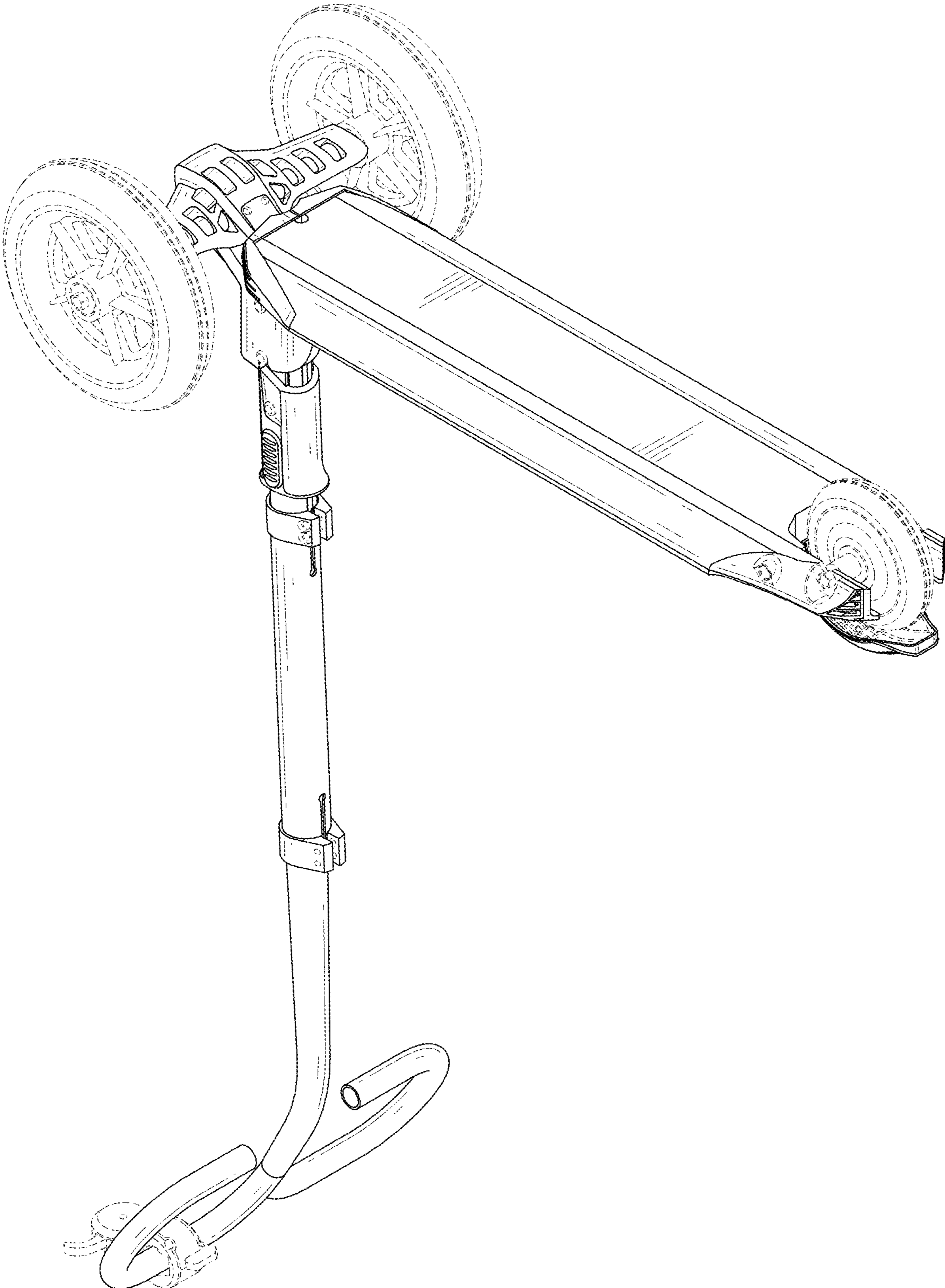


FIG. 2

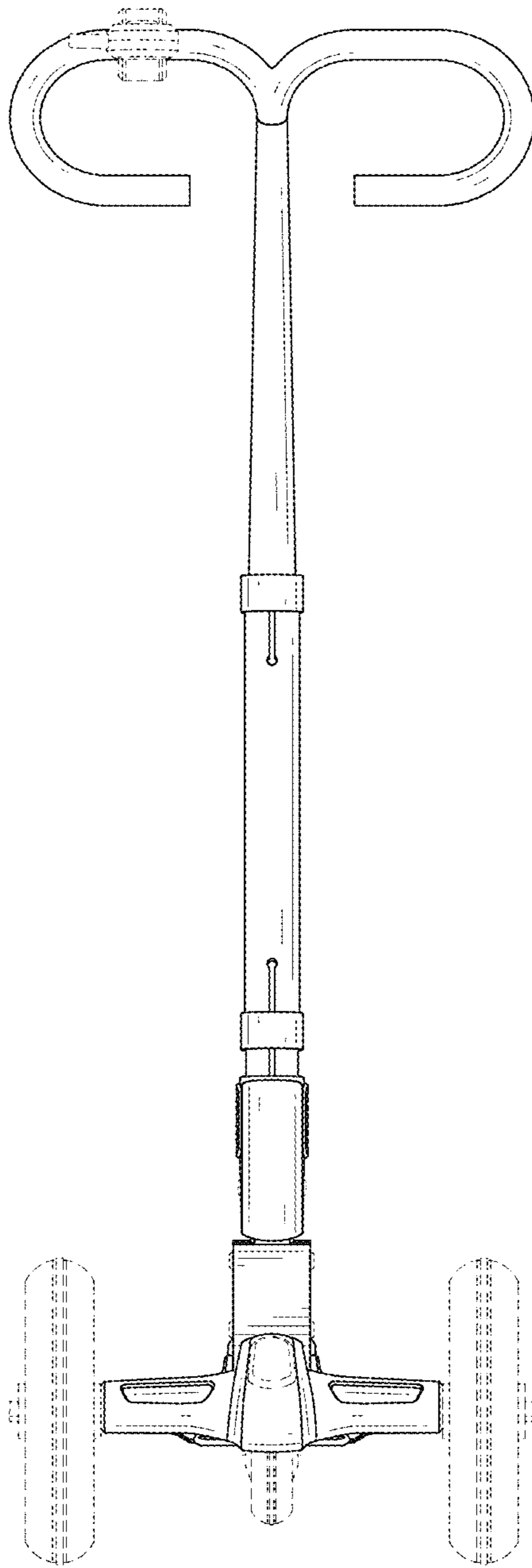


FIG. 3

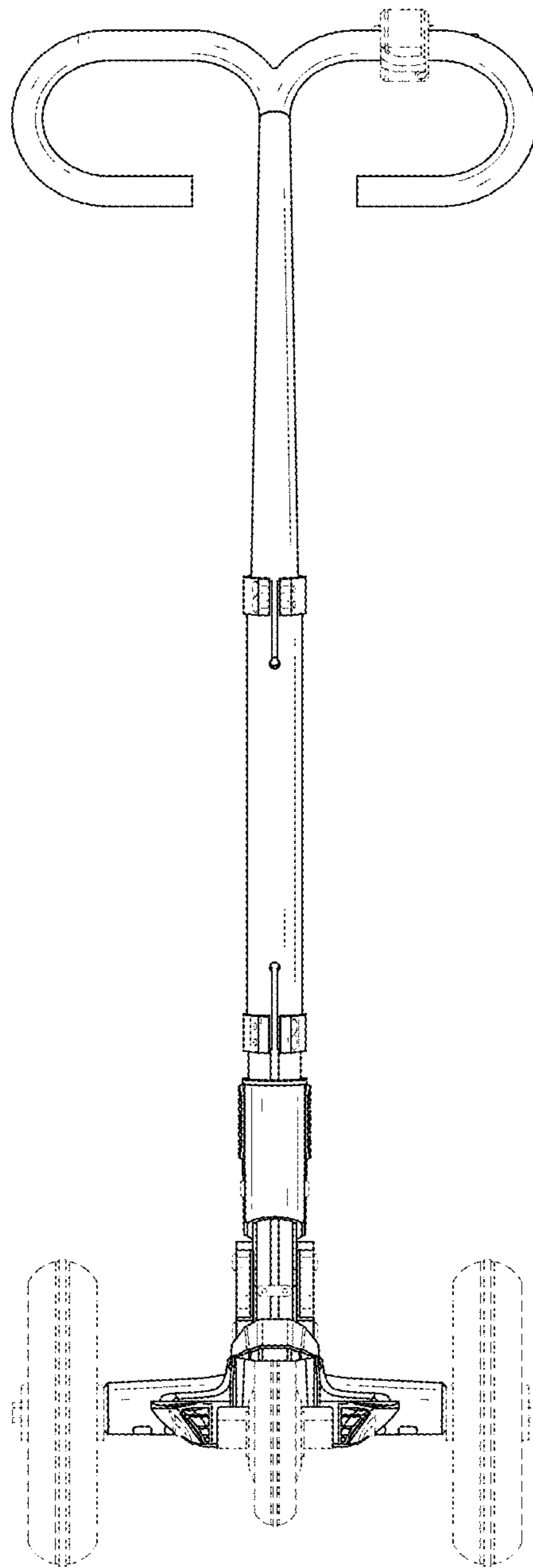


FIG. 4

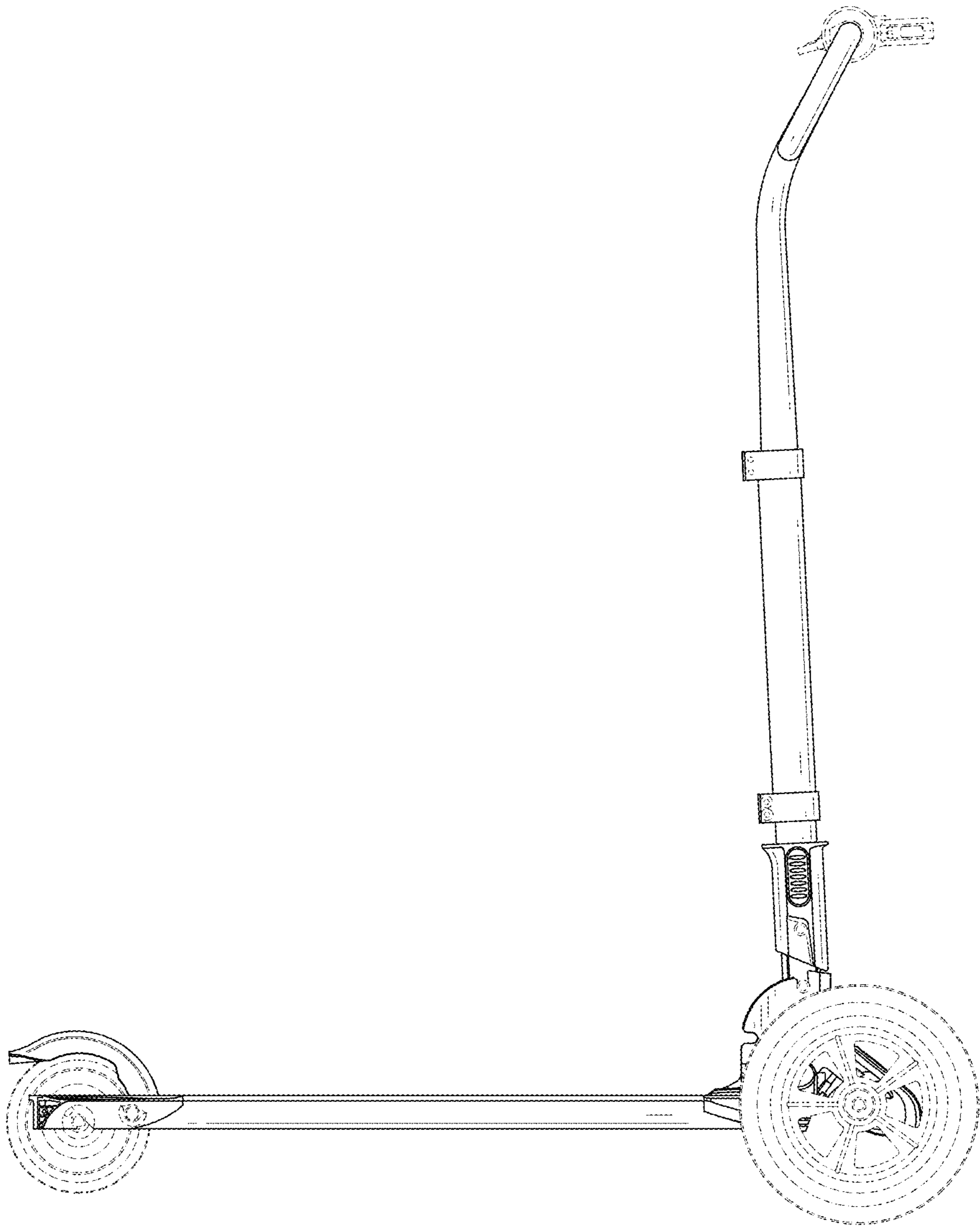


FIG. 5

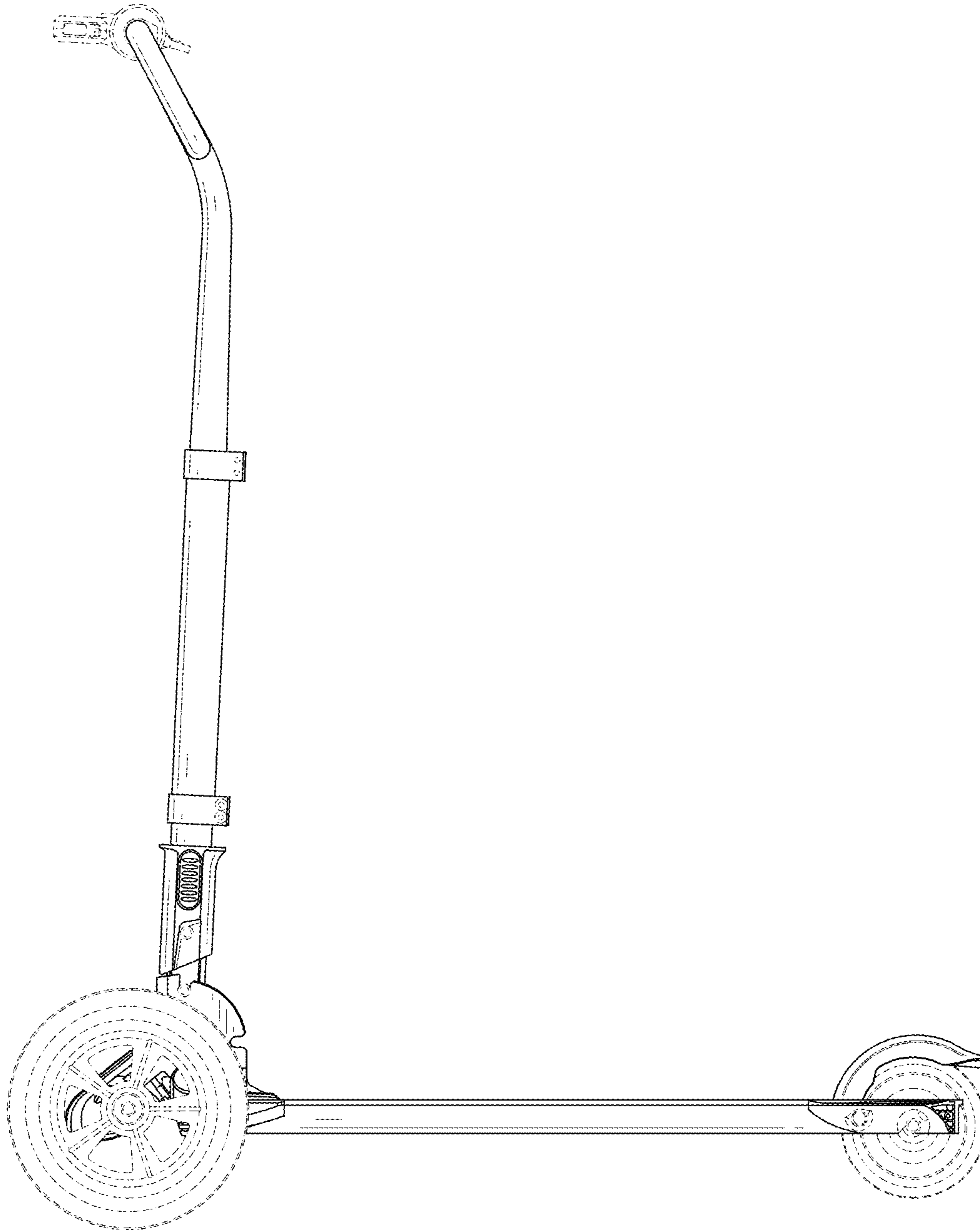


FIG. 6

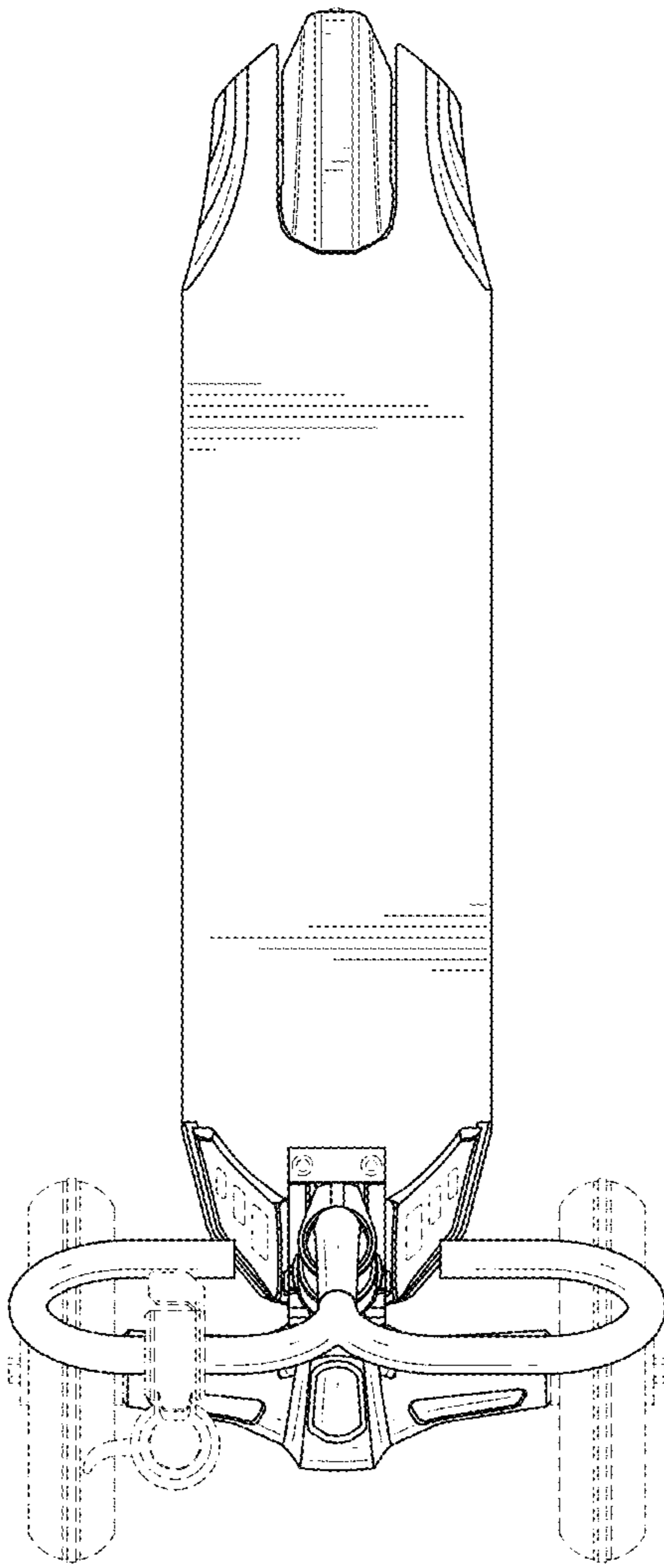


FIG. 7

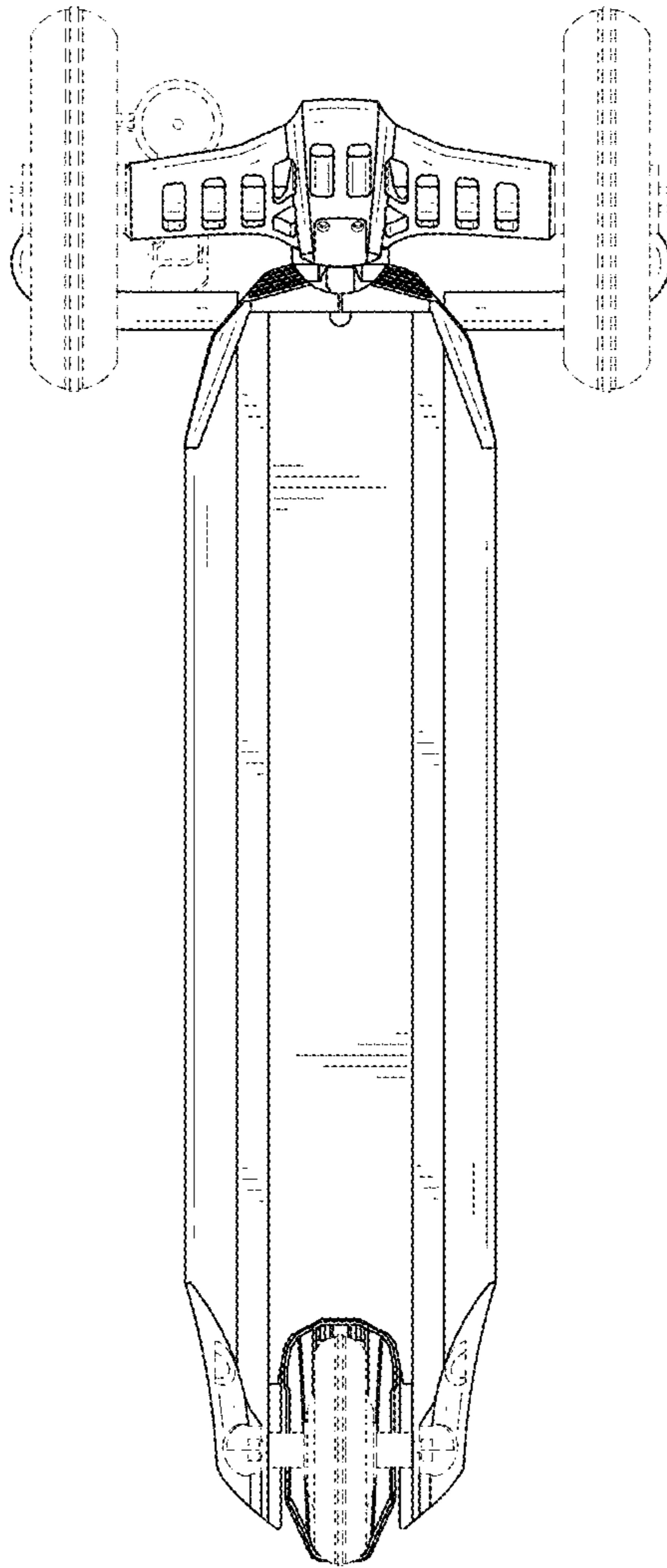


FIG. 8