



US00D859534S

(12) **United States Design Patent**
Brown

(10) **Patent No.:** **US D859,534 S**

(45) **Date of Patent:** **** Sep. 10, 2019**

(54) **TOMAHAWK-SHAPED CHEER STICK**

OTHER PUBLICATIONS

(71) Applicant: **Derrick S. Brown**, Suwanee, GA (US)

Swagbrands, "Baseball—Hyperstick Tomahawk", Aug. 22, 2018. <https://www.swagbrands.com/p/XQVLH-WRBQN/baseball—hypestick-tomahawk>. Shown on p. 1. (Year: 2018).*

(72) Inventor: **Derrick S. Brown**, Suwanee, GA (US)

* cited by examiner

(**) Term: **15 Years**

Primary Examiner — Cynthia Ramirez

(21) Appl. No.: **29/598,280**

Assistant Examiner — Michael A Maharajh

(22) Filed: **Mar. 24, 2017**

(74) *Attorney, Agent, or Firm* — Laurence P. Colton; Carlo Julio Salas Martinez; Smith Tempel Blaha LLC

(51) **LOC (12) Cl.** **21-01**

(52) **U.S. Cl.**
USPC **D21/405**

(57) **CLAIM**

The ornamental design for a tomahawk-shaped cheer stick, as shown and described.

(58) **Field of Classification Search**

DESCRIPTION

USPC 7/143, 145; 446/397, 486; D8/75, 76;
D10/104, 109, 121; D14/187; D21/398,
D21/405, 406, 468, 483; D20/23, 33;
D22/117
CPC A63H 5/00
See application file for complete search history.

FIG. 1 is a perspective view of a tomahawk shaped cheer stick showing my new design.

FIG. 2 is an elevation view of the embodiment of FIG. 1.

FIG. 3 is an elevation view rotated 90 degrees from FIG. 2.

FIG. 4 is an elevation view rotated 180 degrees from FIG. 2.

3.

FIG. 5 is a top plan view of the embodiment of FIG. 1.

FIG. 6 is a bottom plan view of the embodiment of FIG. 1.

FIG. 7 is a perspective view of a second embodiment showing my design.

FIG. 8 is an elevation view of the embodiment of FIG. 7.

FIG. 9 is an elevation view rotated 90 degrees from FIG. 8.

FIG. 10 is an elevation view rotated 180 degrees from FIG. 8.

9.

FIG. 11 is a top plan view of the embodiment of FIG. 7; and,

FIG. 12 is a bottom plan view of the embodiment of FIG. 7.

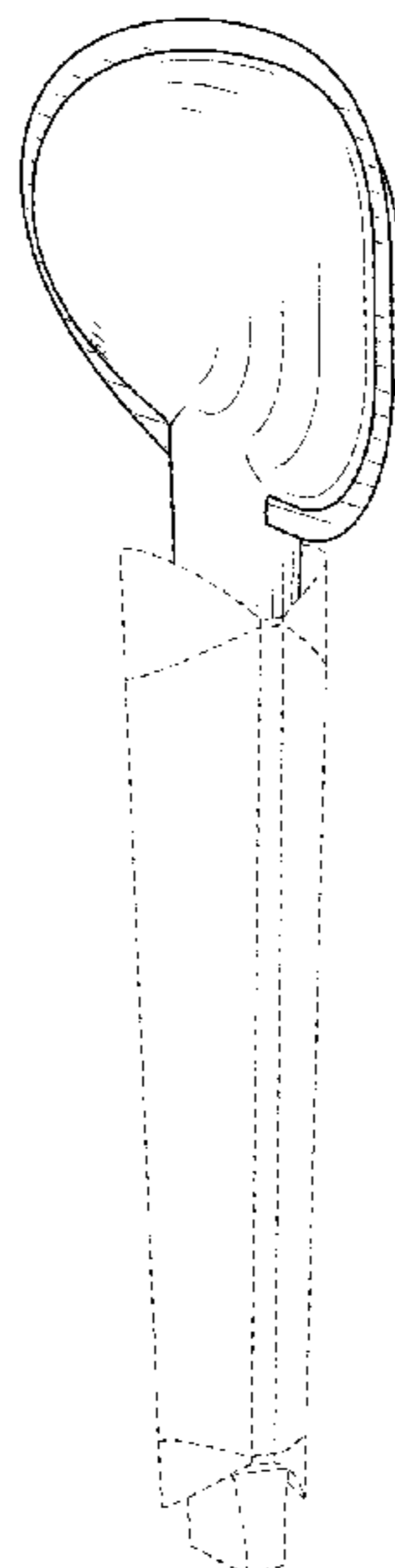
The broken lines in the drawings are for the purpose of illustrating portions of the tomahawk shaped cheer stick, which form no part of the claimed design.

(56) **References Cited**

U.S. PATENT DOCUMENTS

D174,197 S *	3/1955	Le Roy	D21/406
D174,198 S *	3/1955	Le Roy	D21/406
D318,896 S *	8/1991	Crain	D22/117
D357,204 S *	4/1995	Meissner	D10/109.1
D363,322 S *	10/1995	Wesley	D21/406
D369,388 S *	4/1996	Gilbert, Jr.	D21/405
D404,299 S *	1/1999	Midgett	D21/567
D491,616 S *	6/2004	Cosgrove	D21/483
D640,759 S *	6/2011	Mastin	D21/567
D649,598 S *	11/2011	Bengyak	D20/29
D666,677 S *	9/2012	Bengyak	D20/33
D673,221 S *	12/2012	Bengyak	D20/33
D673,222 S *	12/2012	Bengyak	D20/33
D692,494 S *	10/2013	Bengyak	D20/33
D790,431 S *	6/2017	Akvan	D12/220

1 Claim, 4 Drawing Sheets



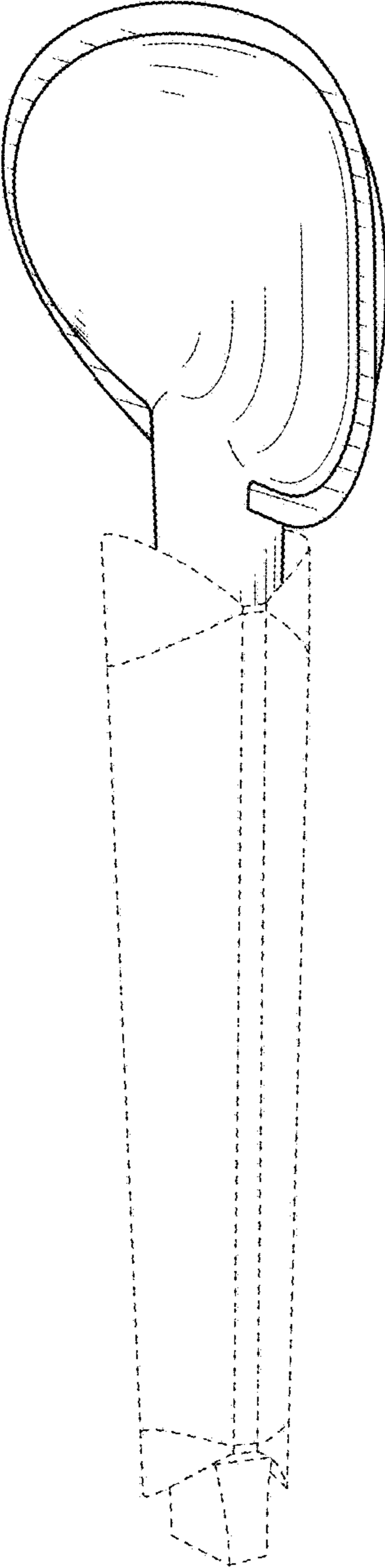


FIG. 1

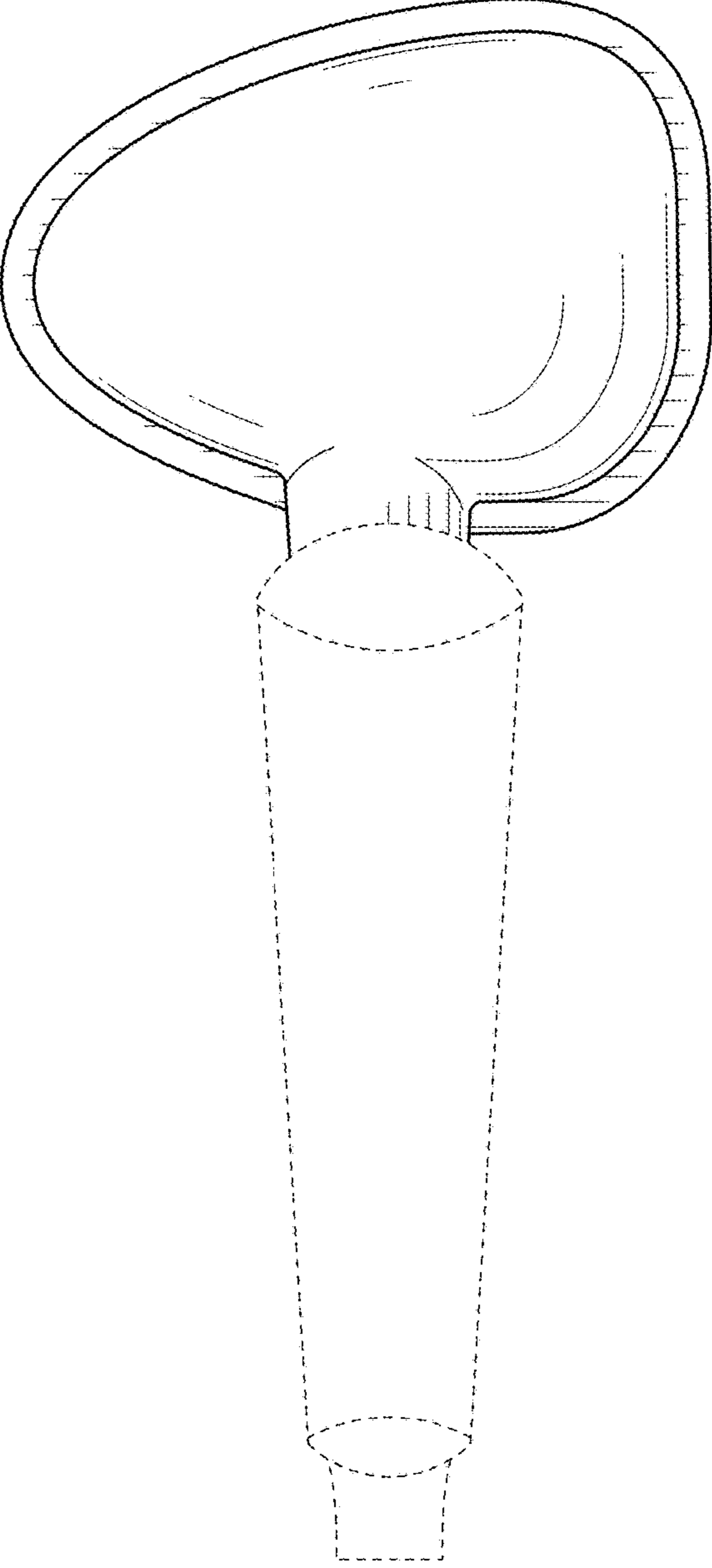


FIG. 2

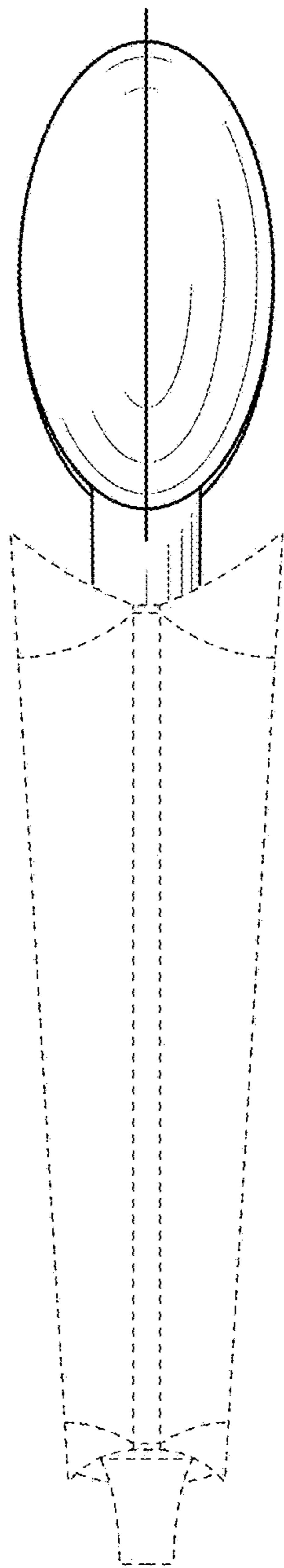


FIG. 3

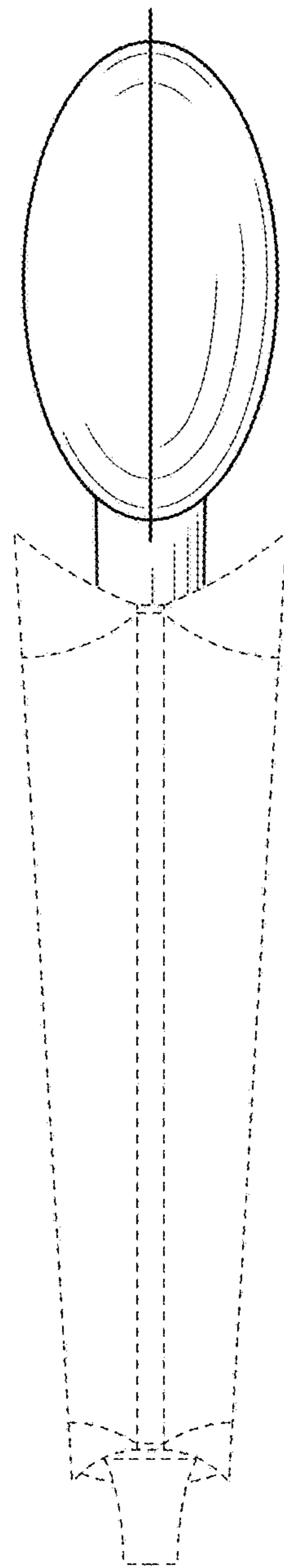


FIG. 4

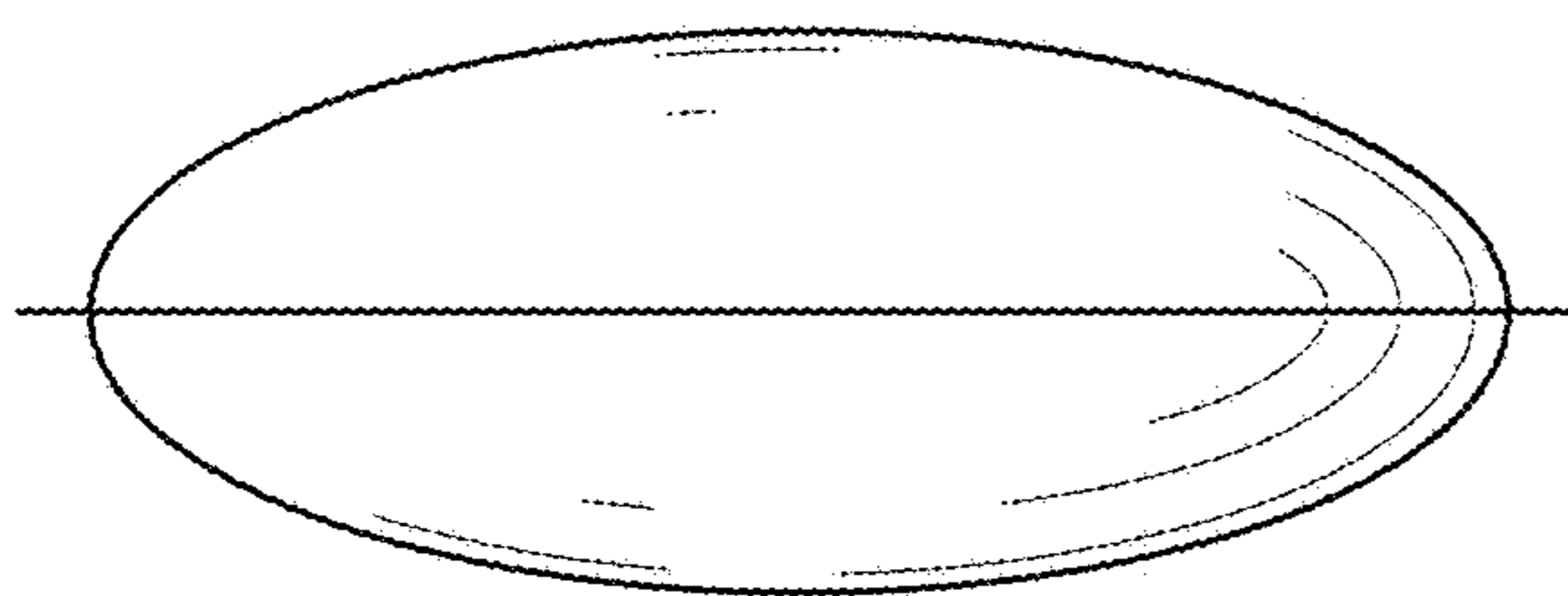


FIG. 5

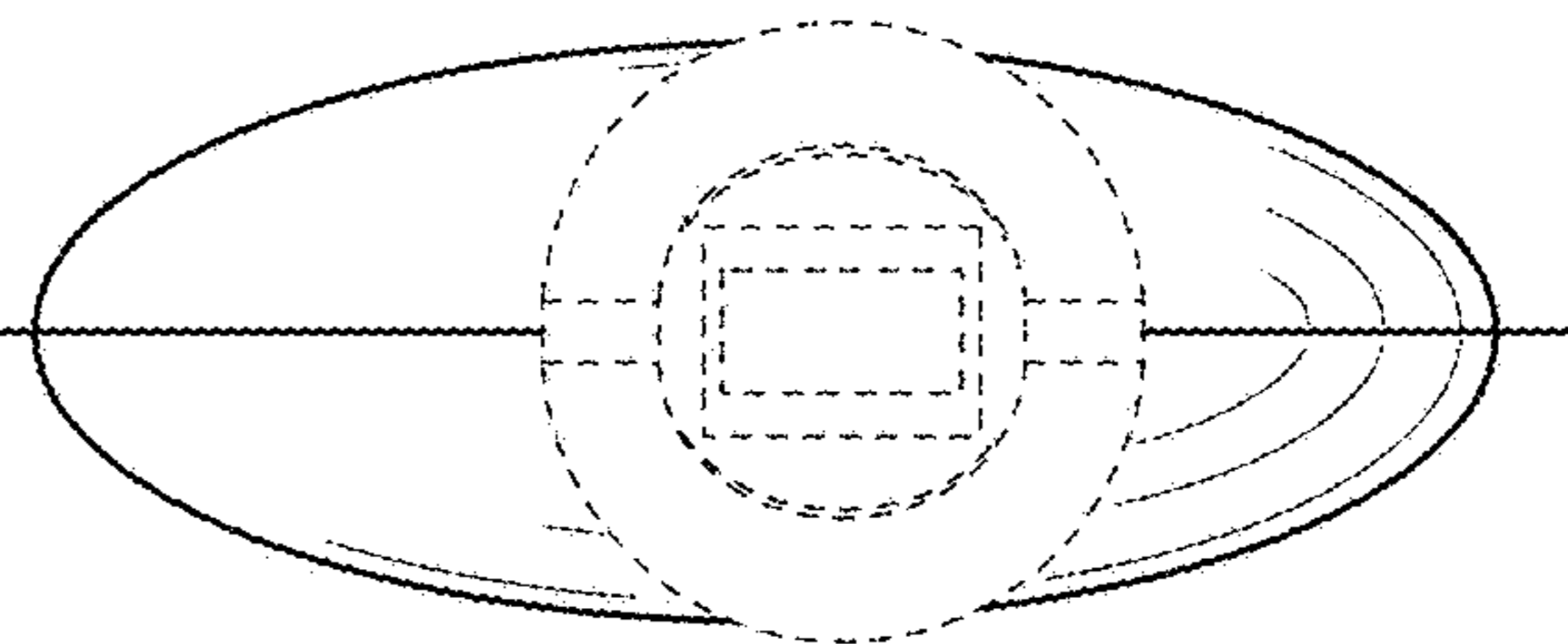


FIG. 6

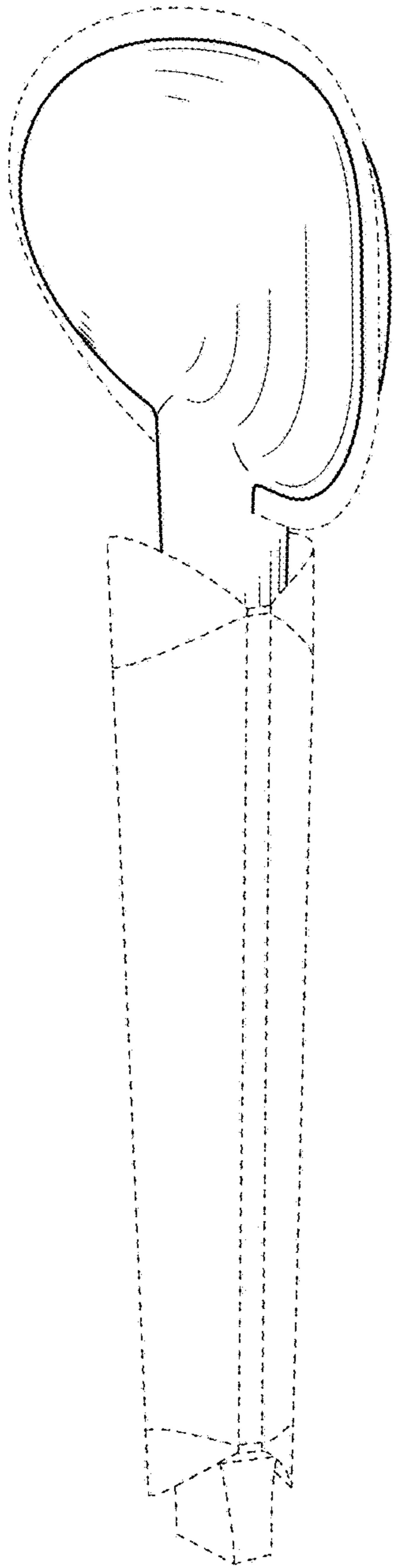


FIG. 7

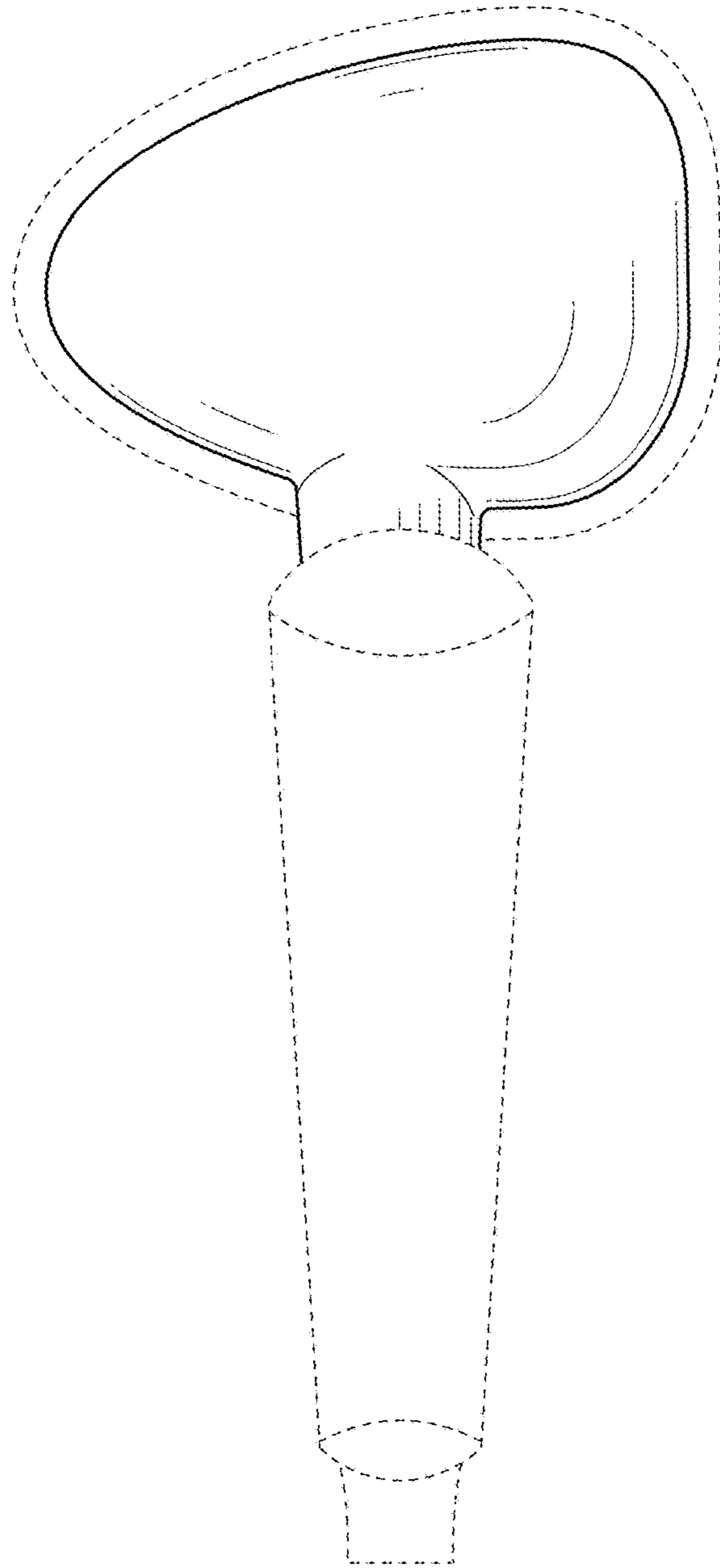


FIG. 8

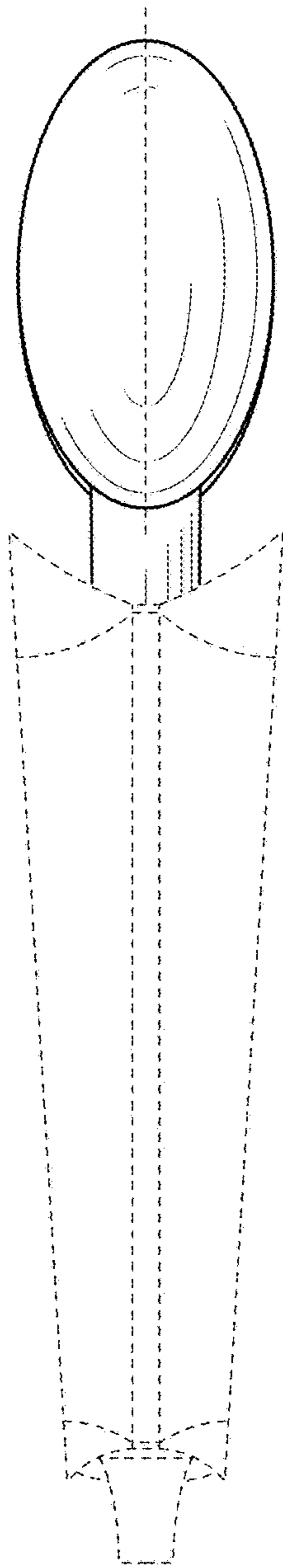


FIG. 9

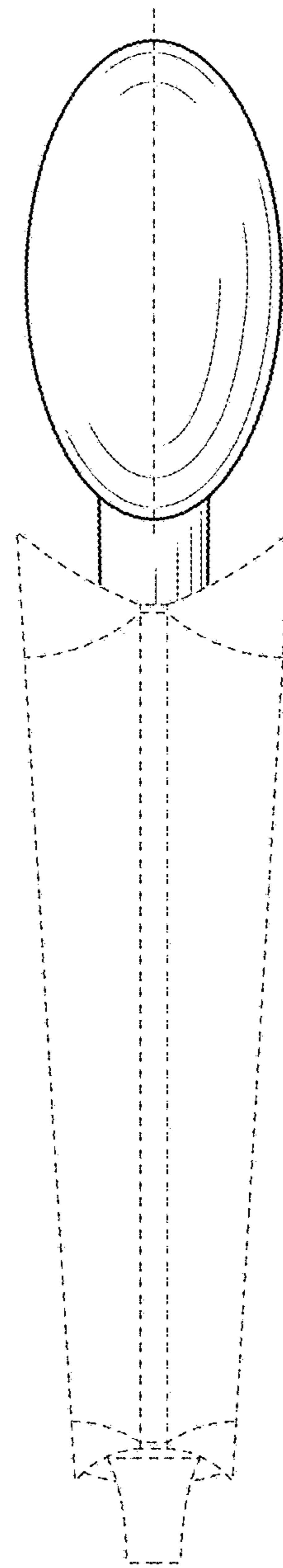


FIG. 10

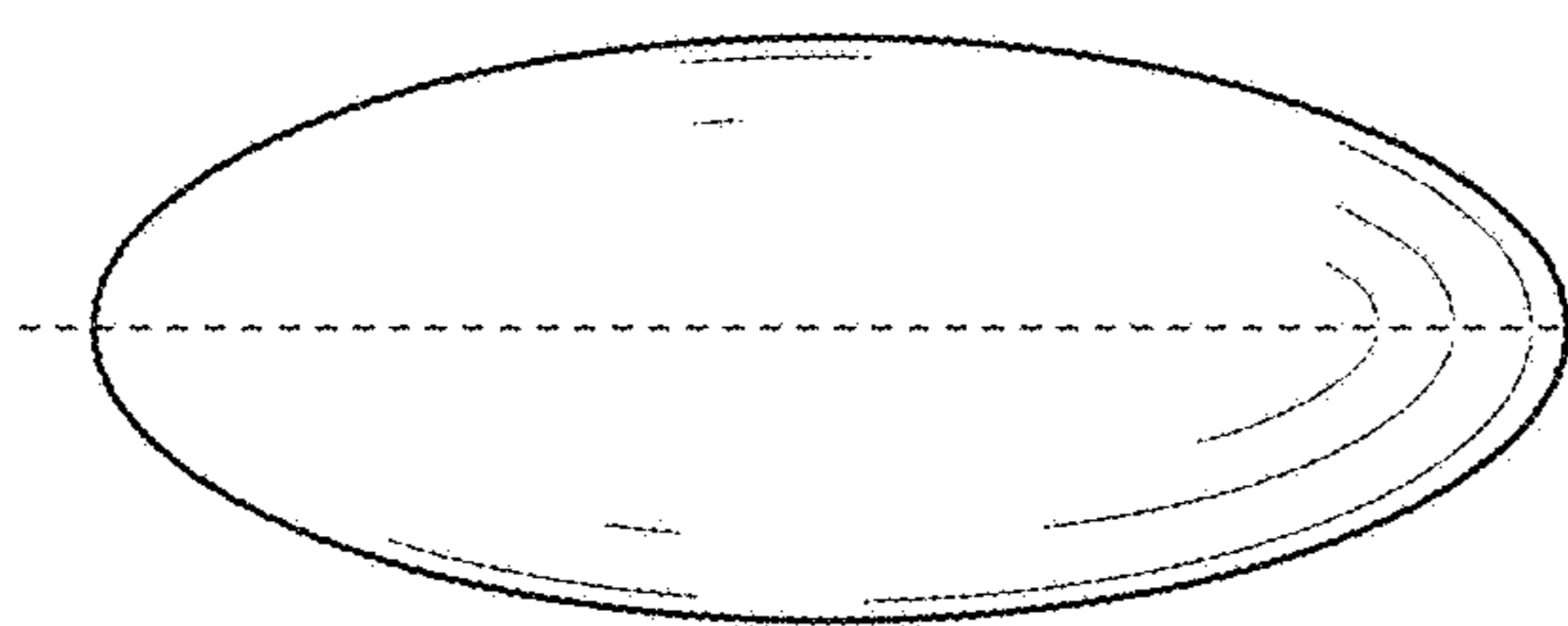


FIG. 11

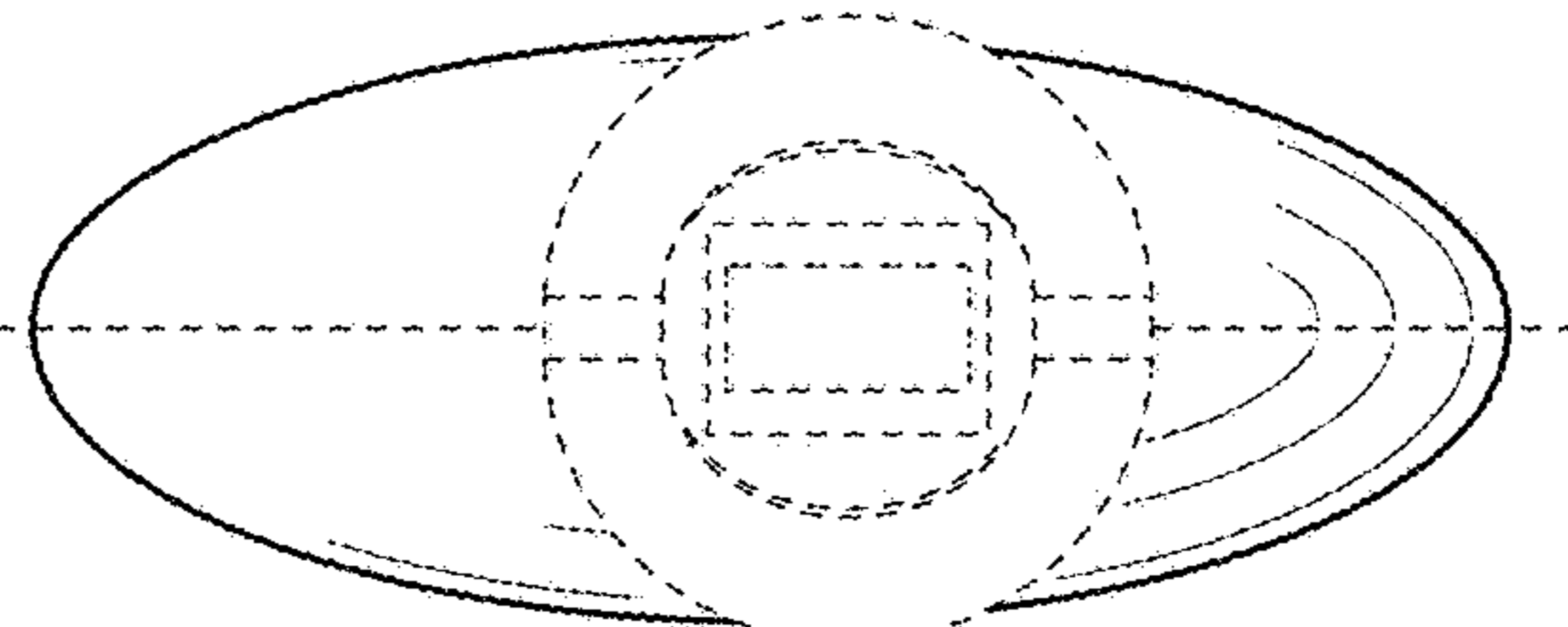


FIG. 12