



US00D859531S

(12) **United States Design Patent**
Matsukawa et al.

(10) **Patent No.:** **US D859,531 S**
(45) **Date of Patent:** **** Sep. 10, 2019**

(54) **PLAYING SURFACE FOR SPINNING TOP TOY**

(71) Applicant: **TOMY COMPANY, LTD.**, Tokyo (JP)

(72) Inventors: **Hiroyuki Matsukawa**, Tokyo (JP);
Ryuji Nagatomo, Tokyo (JP)

(73) Assignee: **TOMY COMPANY, LTD.**, Tokyo (JP)

(**) Term: **15 Years**

(21) Appl. No.: **29/629,032**

(22) Filed: **Dec. 11, 2017**

(30) **Foreign Application Priority Data**

Jun. 20, 2017 (JP) 2017-013193

(51) **LOC (12) Cl.** **21-01**

(52) **U.S. Cl.**
USPC **D21/338; D21/461**

(58) **Field of Classification Search**
USPC D21/300, 301, 312, 322, 324, 334, 336,
D21/338, 341, 347, 373-375, 385, 395,
(Continued)

(56) **References Cited**

U.S. PATENT DOCUMENTS

845,811 A * 3/1907 Osgood A63F 9/16
273/108
D209,410 S * 11/1967 Grant D21/374
(Continued)

FOREIGN PATENT DOCUMENTS

CN 3324755 * 9/2003
CN 301348471 * 9/2010
(Continued)

Primary Examiner — Catherine A Tuttle

(74) *Attorney, Agent, or Firm* — Staas & Halsey LLP

(57) **CLAIM**

The ornamental design for a playing surface for spinning top toy, as shown and described.

DESCRIPTION

FIG. 1 is a front view of the playing surface for spinning top toy showing our design;
FIG. 2 is a left side view thereof, the right side view being identical to the left side view;
FIG. 3 is a rear view thereof;
FIG. 4 is top view thereof;
FIG. 5 is a bottom view thereof;
FIG. 6 is a perspective view thereof; and
FIG. 7 is a disassembled perspective view thereof;
FIG. 8 is a front view corresponding to FIG. 1 wherein the oblique line hatching has been omitted for clarity of disclosure;
FIG. 9 is a left side view corresponding to FIG. 2 wherein the oblique line hatching has been omitted for clarity of disclosure;
FIG. 10 is a rear view corresponding to FIG. 3 wherein the oblique line hatching has been omitted for clarity of disclosure;
FIG. 11 is a top view corresponding to FIG. 4 wherein the oblique line hatching has been omitted for clarity of disclosure;
FIG. 12 is a bottom view corresponding to FIG. 5 wherein the oblique line hatching has been omitted for clarity of disclosure;
FIG. 13 is a perspective view corresponding to FIG. 6 wherein the oblique line hatching has been omitted for clarity of disclosure;
FIG. 14 is a disassembled perspective view corresponding to FIG. 7 wherein the oblique line hatching has been omitted for clarity of disclosure;
FIG. 15 is a front view corresponding to FIG. 1 but omitting the structure underlying the transparent parts for clarity of disclosure;
FIG. 16 is a left side view corresponding to FIG. 2 but omitting the structure underlying the transparent parts for clarity of disclosure;
FIG. 17 is a rear view corresponding to FIG. 3 but omitting the structure underlying the transparent parts for clarity of disclosure;
FIG. 18 is a top view corresponding to FIG. 4 but omitting the structure underlying the transparent parts for clarity of disclosure;

(Continued)

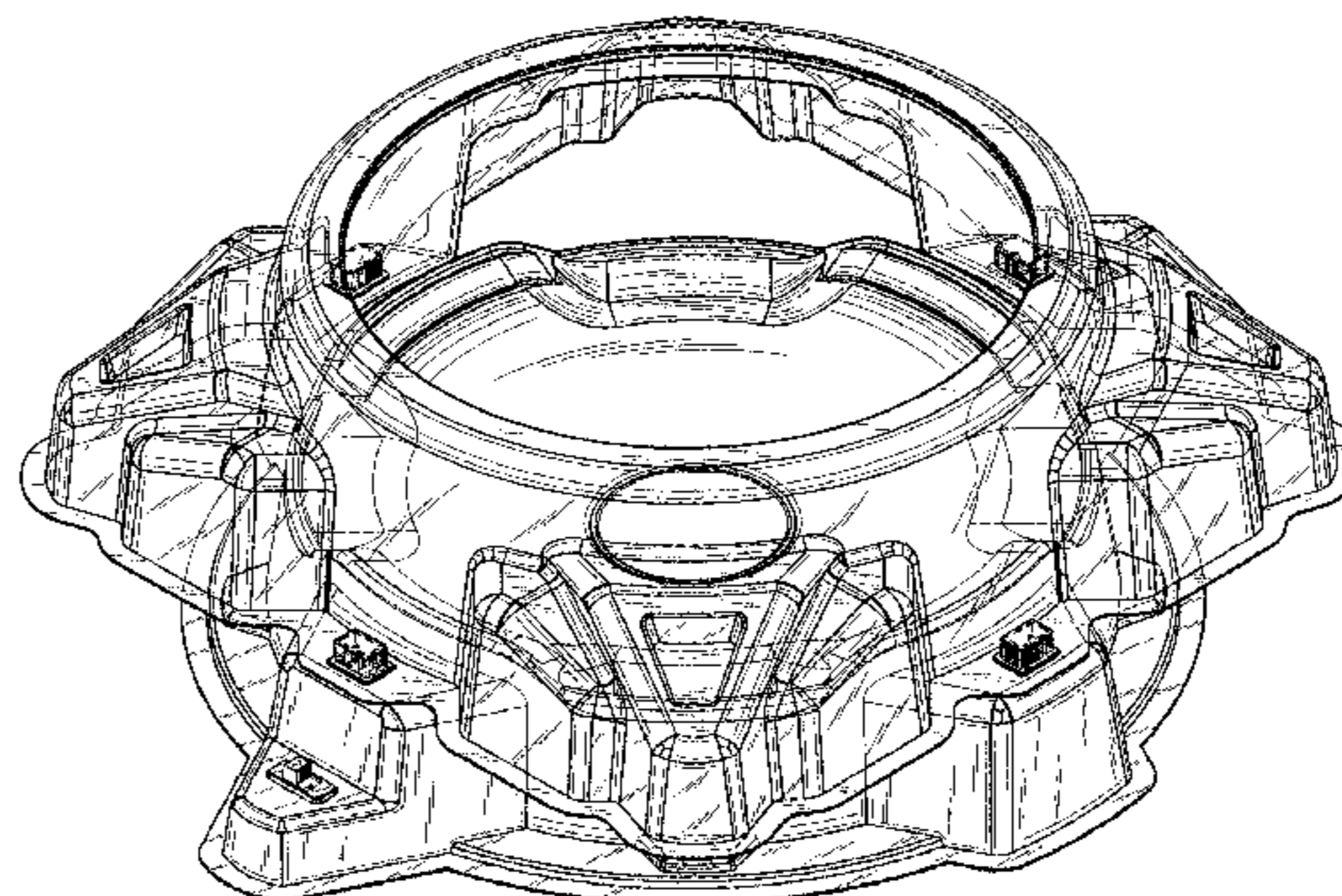
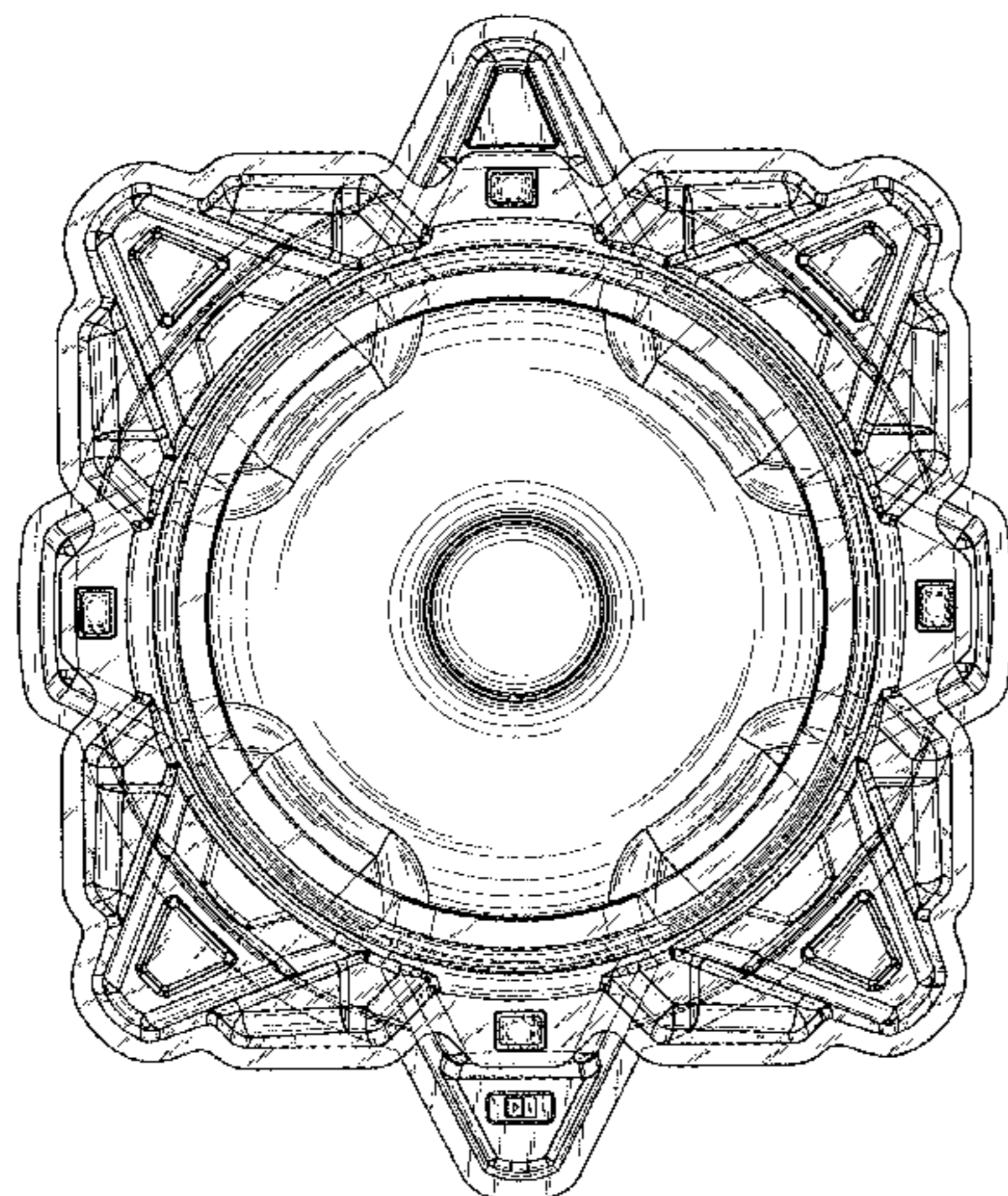


FIG. 19 is a perspective view corresponding to FIG. 6 but omitting the structure underlying the transparent parts for clarity of disclosure; and, FIG. 20 is a disassembled perspective view corresponding to FIG. 7 but omitting the structure underlying the transparent parts for clarity of disclosure. The portions of the playing surface for spinning top toy shown in broken lines form no part of the claimed design.

1 Claim, 20 Drawing Sheets

(58) **Field of Classification Search**

USPC D21/397, 398, 461; 273/359, 110, 237, 273/241, 280, 287, 147, 309, 441, 454, 273/DIG. 14; 446/3, 168, 236, 256, 257, 446/259, 429, 430, 484, 487
 CPC .. A63F 9/16; A63F 2009/165; A63F 3/00173; A63F 3/00176; A63F 3/00214; A63F 3/00643; A63F 2003/00201; A63F 2003/00217; A63F 2003/0022; A63F 2003/00223; A63F 2003/00261; A63F 2003/00264; A63F 2003/00268; A63F 2003/00271; A63F 2003/00274; A63F 2003/00283; A63F 2003/00302; A63F 2003/00318; A63F 2003/00343; A63F 2003/00394; A63F 2003/00403; A63F 2003/00435; A63F 2003/00447; A63F 2003/00457; A63F 2003/00463; A63F 2003/0047; A63F 2003/00485; A63F 2003/00492; A63F 2003/00514; A63F 2003/00517; A63F 7/0005; A63F 7/0223; A63F 7/30; A63F 7/38; A63F 7/382; A63F 2007/3005; A63F 2007/3035; A63F 2007/3637; A63F 2007/367; A63F 2007/3677; A63F 2007/3681; A63H 1/00; A63H 1/02; A63H 1/04; A63H 1/06; A63H 1/12; A63H 1/16

See application file for complete search history.

(56) **References Cited**

U.S. PATENT DOCUMENTS

D222,492 S * 10/1971 Miller D21/456
 3,617,061 A * 11/1971 Goldfarb A63F 7/044
 273/110

3,643,954 A * 2/1972 Meyer A63F 9/02
 273/119 A
 D246,609 S * 12/1977 Kanno D21/312
 4,061,334 A * 12/1977 Kanno A63F 9/02
 273/109
 4,696,477 A * 9/1987 Tsuzuki A63F 9/30
 273/241
 D297,951 S * 10/1988 Mayuzumi D21/336
 4,982,961 A * 1/1991 Ichimura A63F 9/16
 273/109
 5,518,437 A * 5/1996 Nonaka A63H 1/02
 446/259
 5,782,351 A * 7/1998 Shoptaugh B65D 51/249
 206/315.1
 6,743,070 B1 * 6/2004 Lin A63H 1/02
 446/15
 6,913,506 B2 * 7/2005 Tiefel A63H 1/06
 273/147
 D606,125 S * 12/2009 Ujita D21/397
 D606,126 S * 12/2009 Ujita D21/397
 D806,801 S * 1/2018 Shindo D21/338
 D811,487 S * 2/2018 Shindo D21/338
 D834,651 S * 11/2018 Schultheis D21/338
 D838,316 S * 1/2019 Shindo D21/461
 2003/0064660 A1 * 4/2003 Matsukawa A63F 3/00895
 446/256
 2008/0242184 A1 * 10/2008 Divnick A63F 7/2409
 446/11
 2009/0253349 A1 * 10/2009 Iwakoshi A63H 17/26
 446/429
 2011/0189921 A1 * 8/2011 Andersen A63F 3/00643
 446/242

FOREIGN PATENT DOCUMENTS

CN D1556360 * 8/2016
 EP 0077438 A2 * 4/1983 A63F 9/16
 JP 6089134 B * 11/1994
 JP 2013000284 A * 1/2013
 JP D1531581 * 8/2015
 JP D1544286 * 2/2016
 JP 5969153 B1 * 8/2016 A63F 9/16
 JP D1564353 * 11/2016
 KR 300735967.0000 * 3/2014
 KR 300735969.0000 * 3/2014
 WO WO-2006133274 A2 * 12/2006 A63F 9/16
 WO WO-2011158940 A1 * 12/2011 A63F 9/16

* cited by examiner

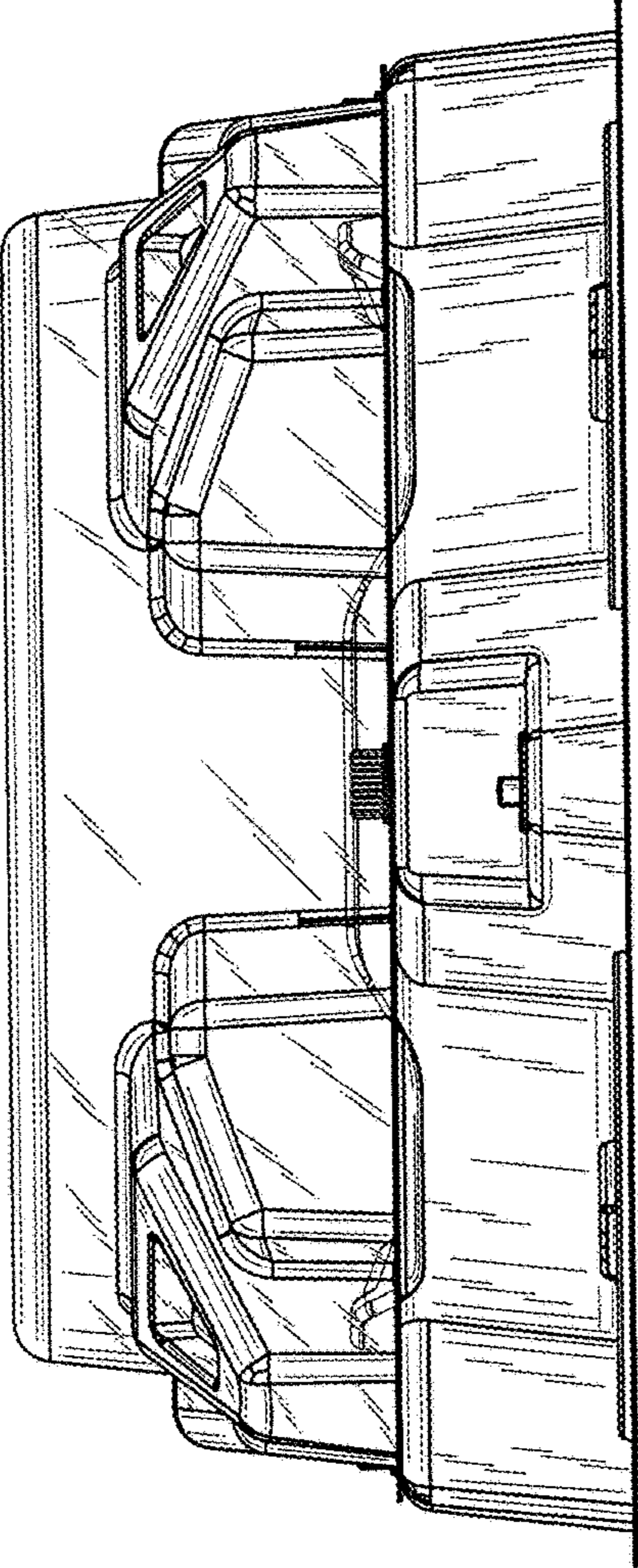


FIG. 1

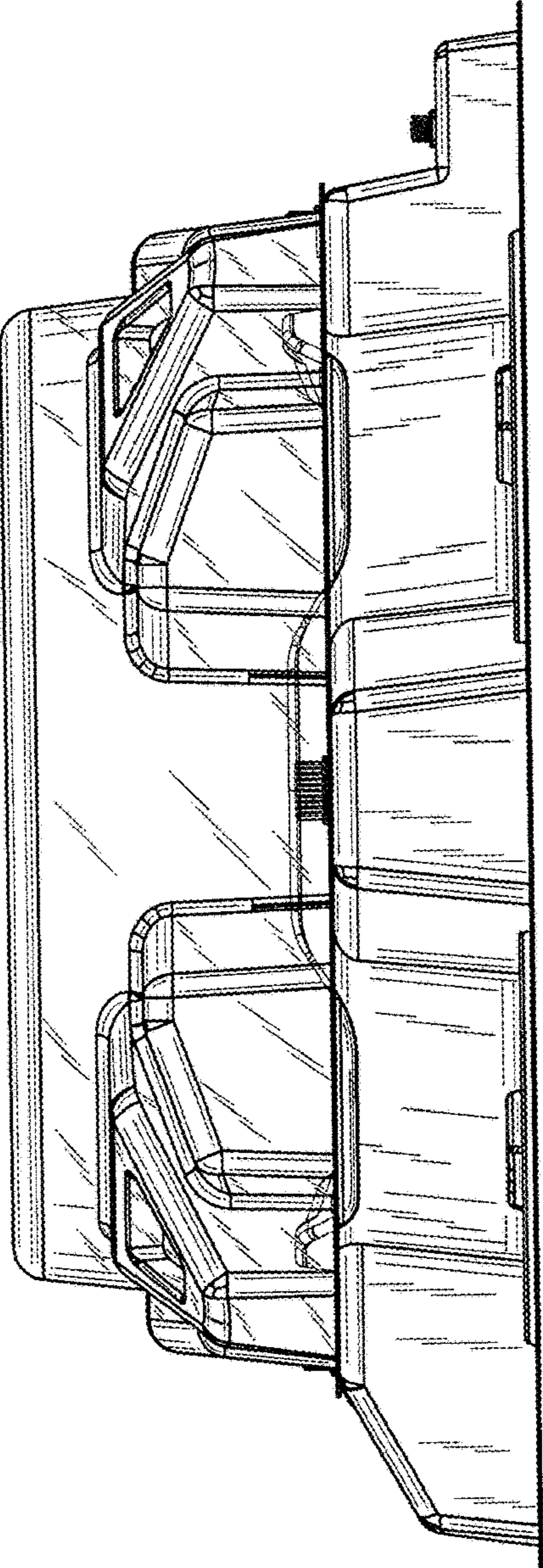


FIG. 2

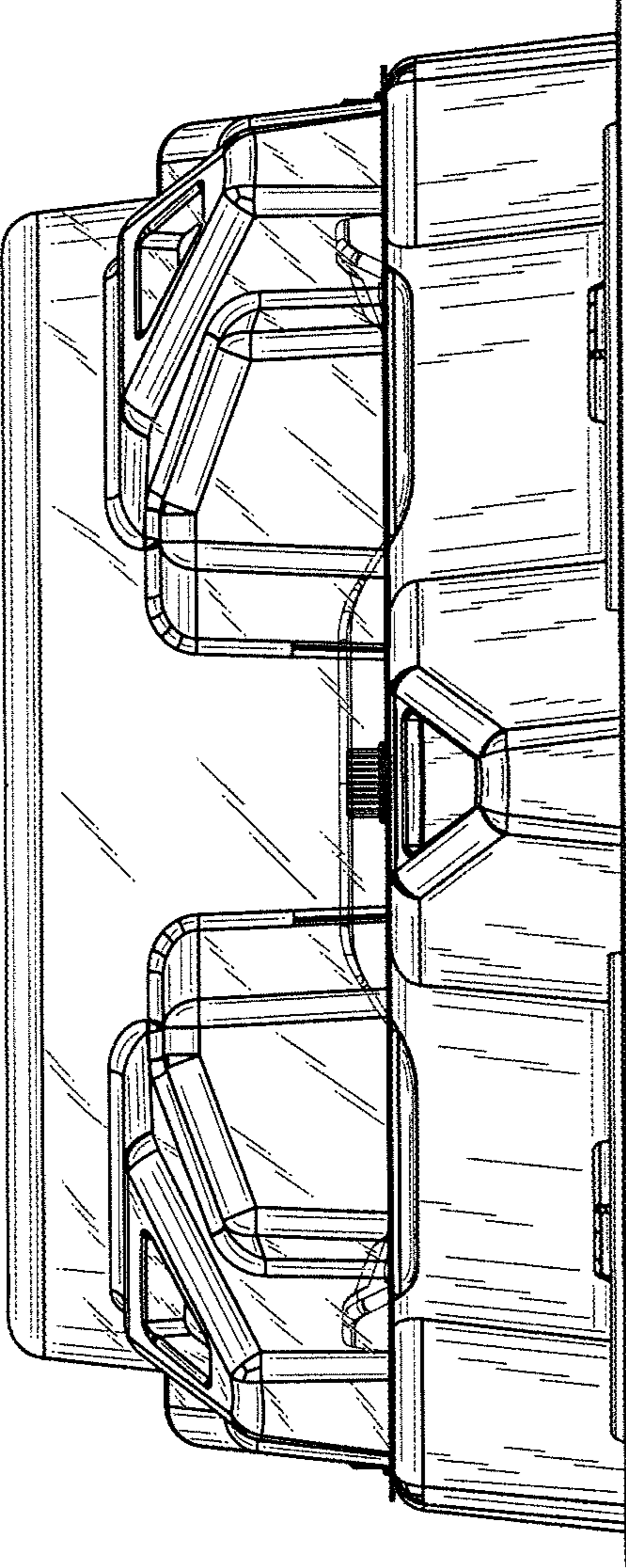


FIG. 3

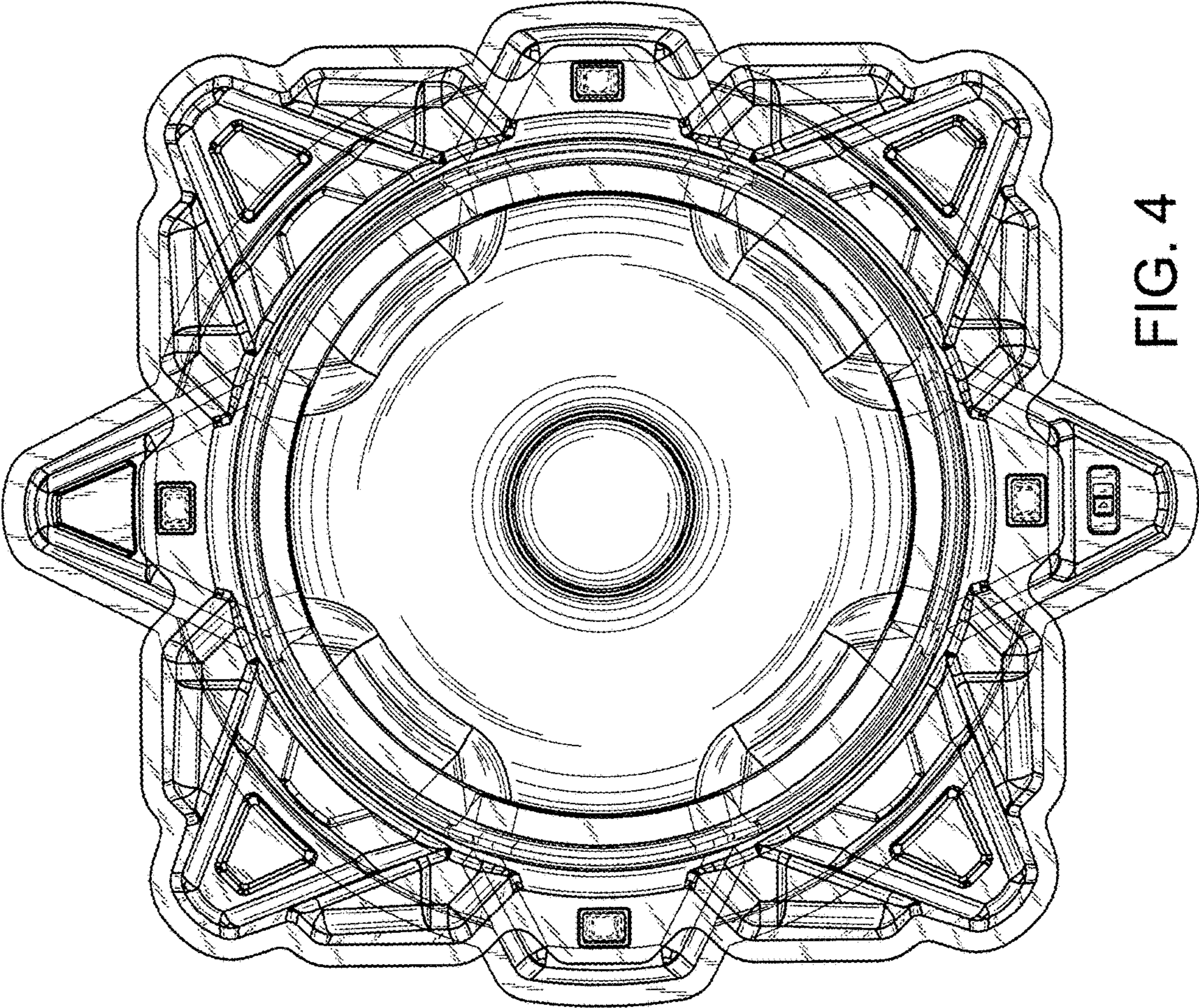


FIG. 4

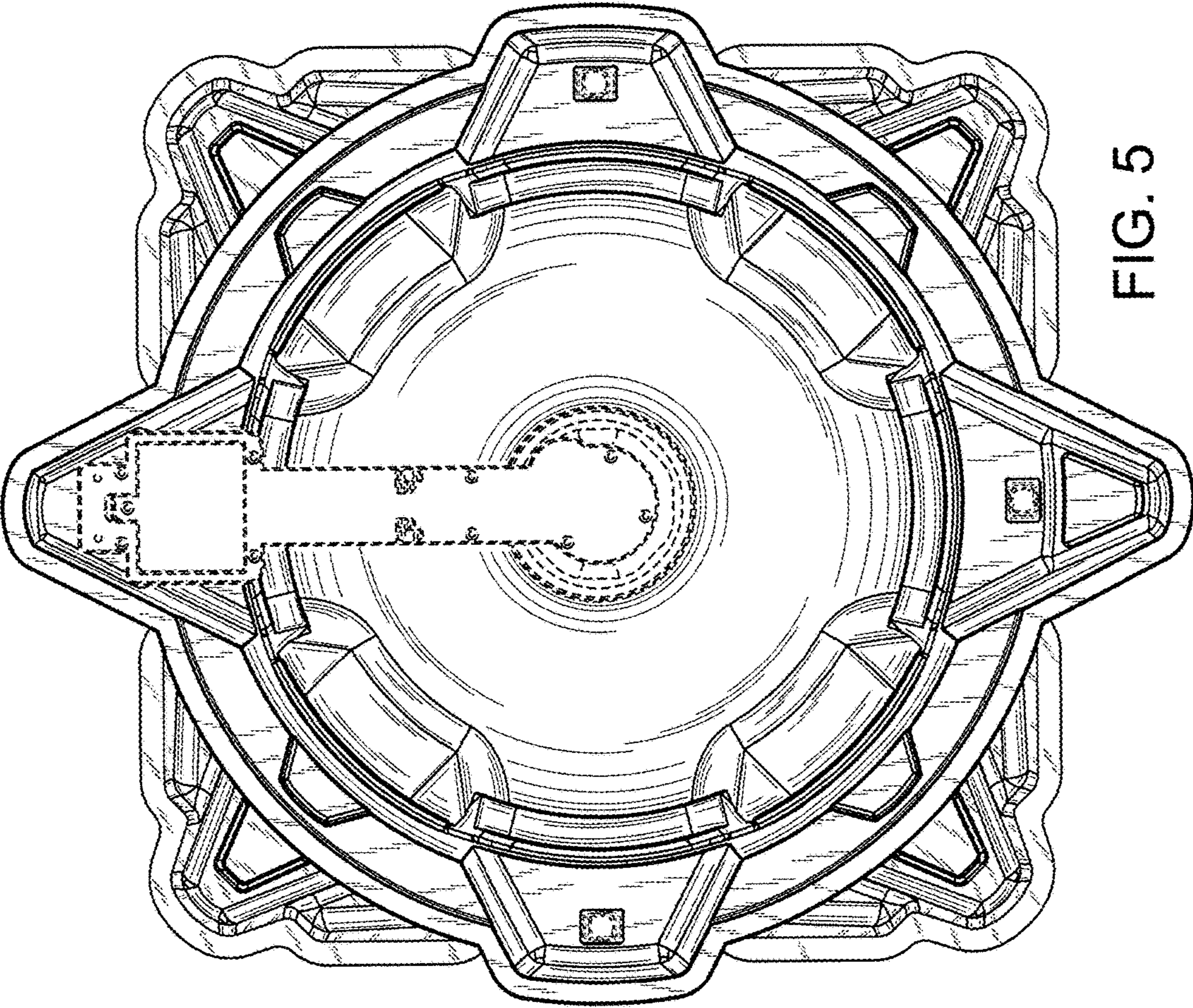


FIG. 5

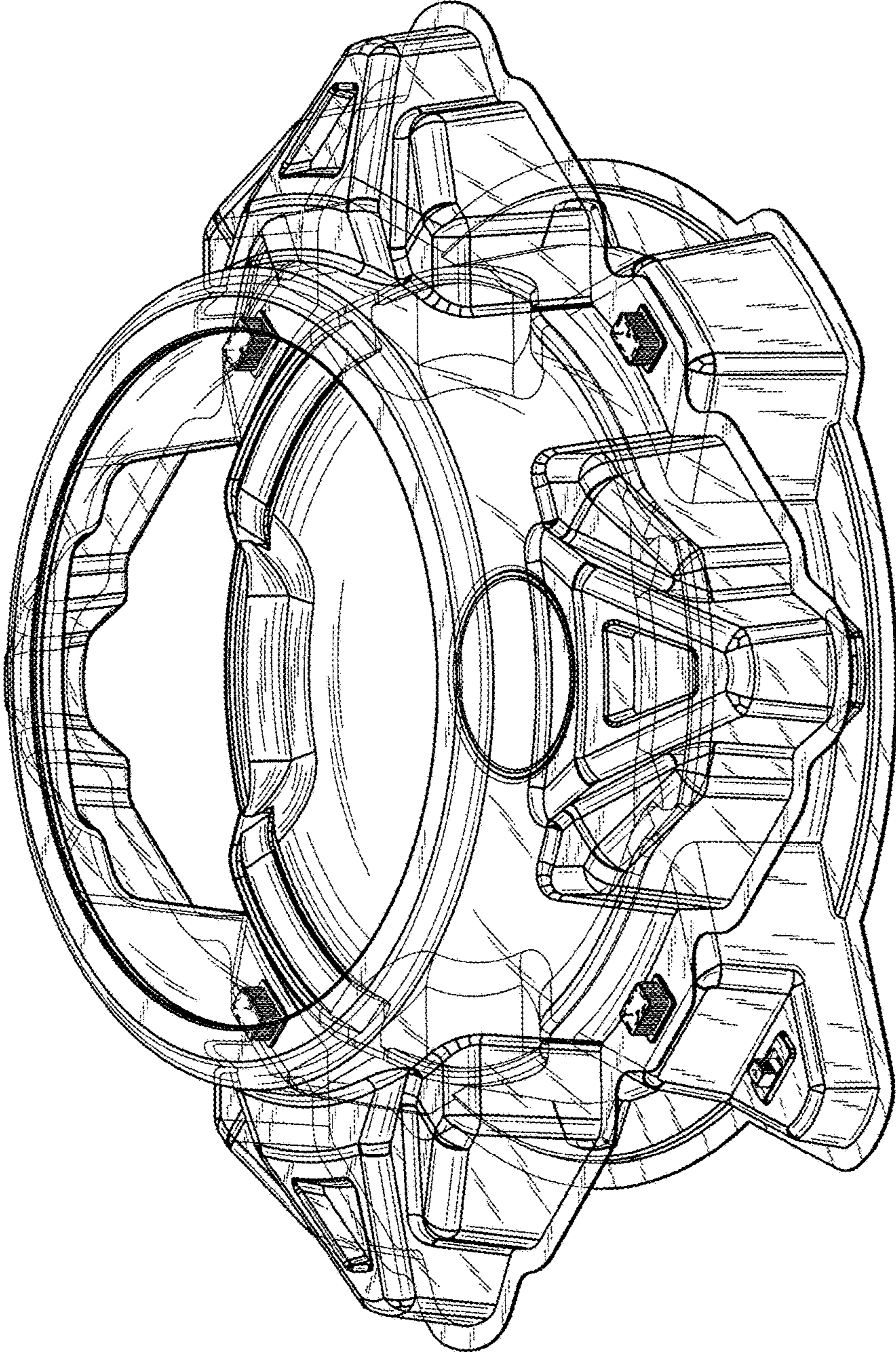


FIG. 6

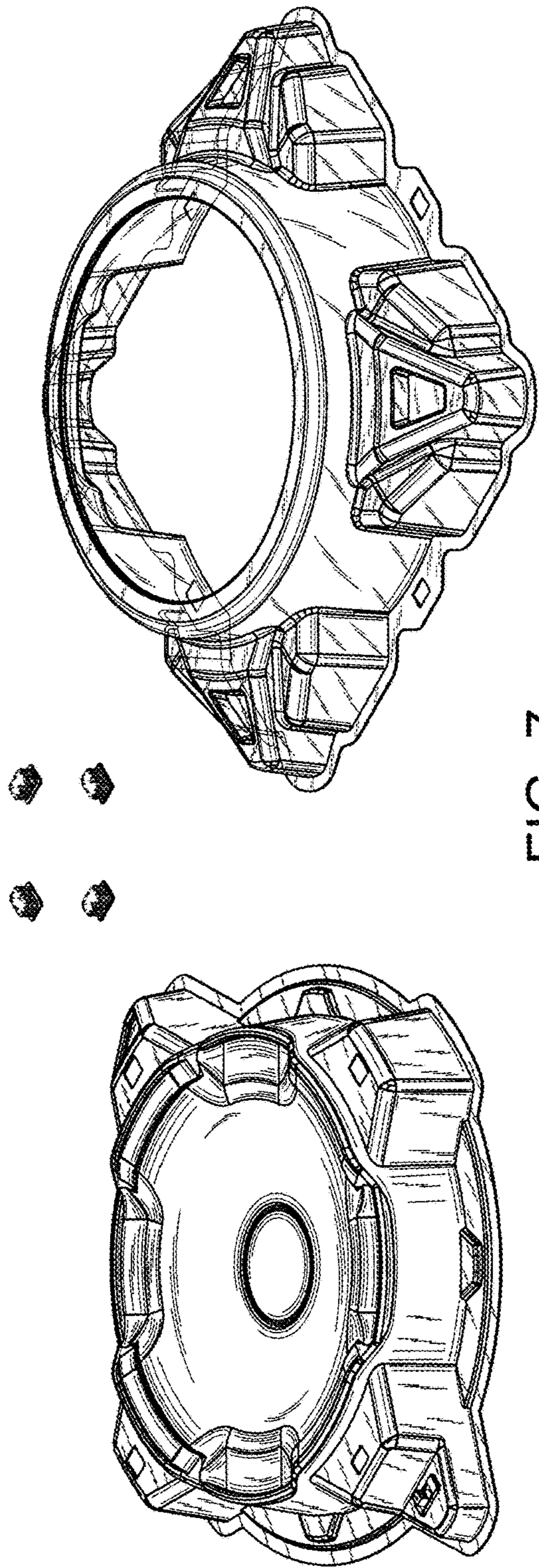


FIG. 7

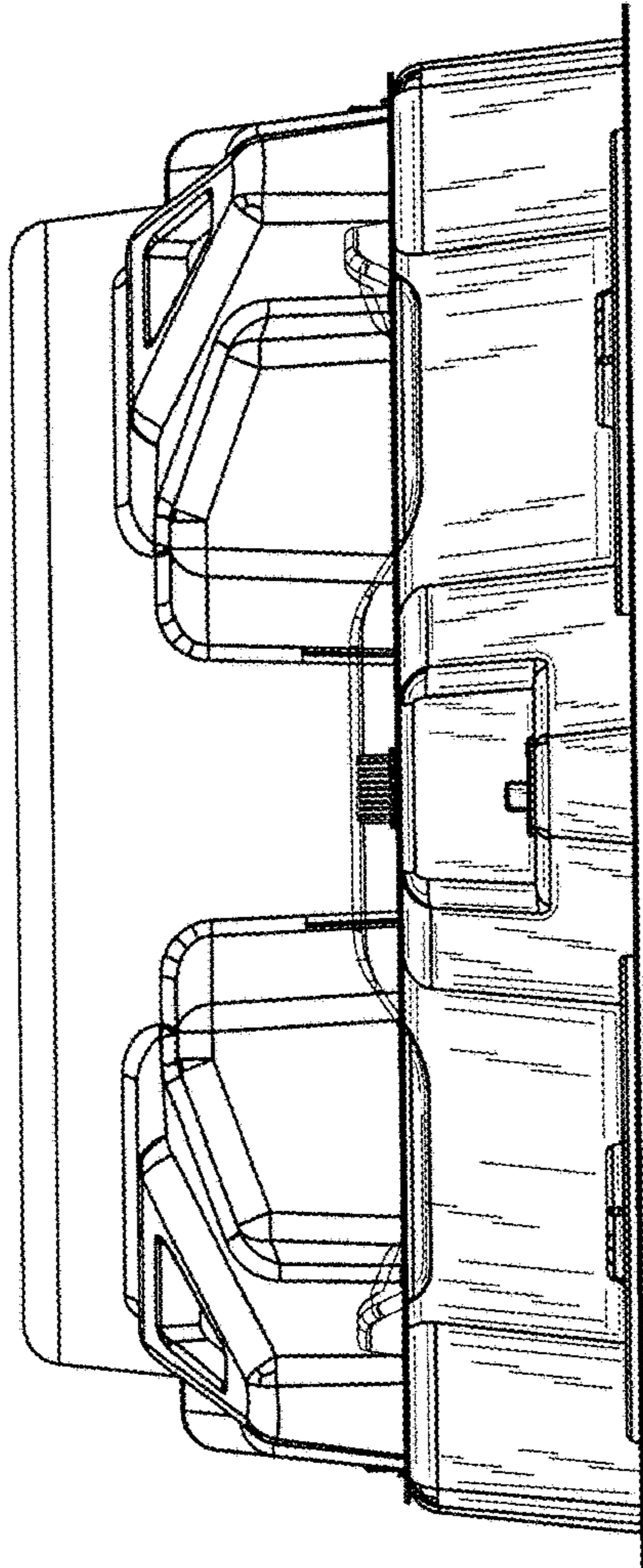


FIG. 8

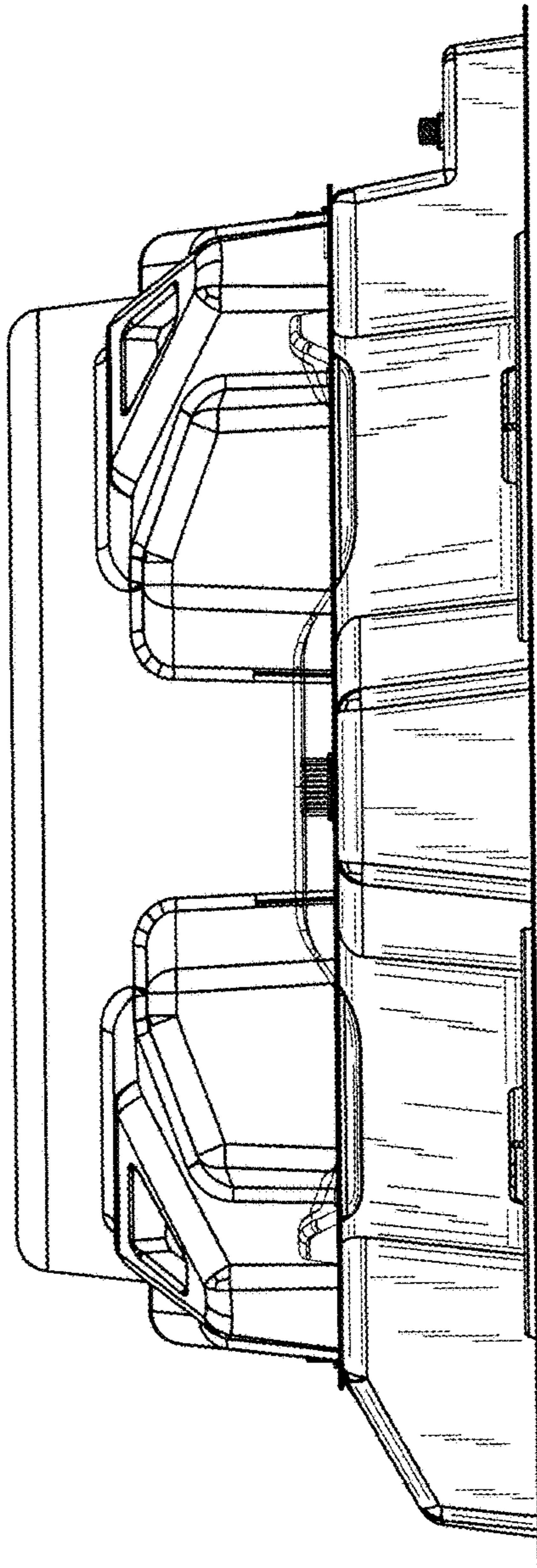


FIG. 9

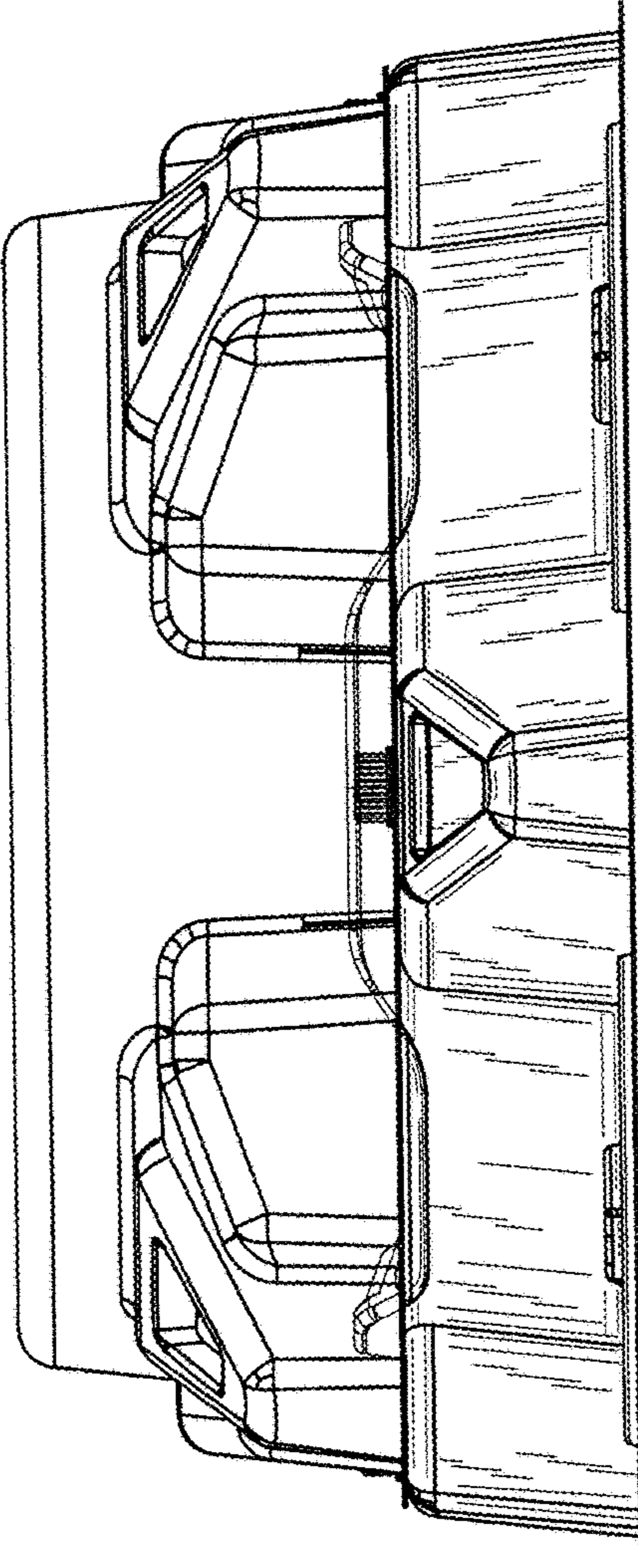


FIG. 10

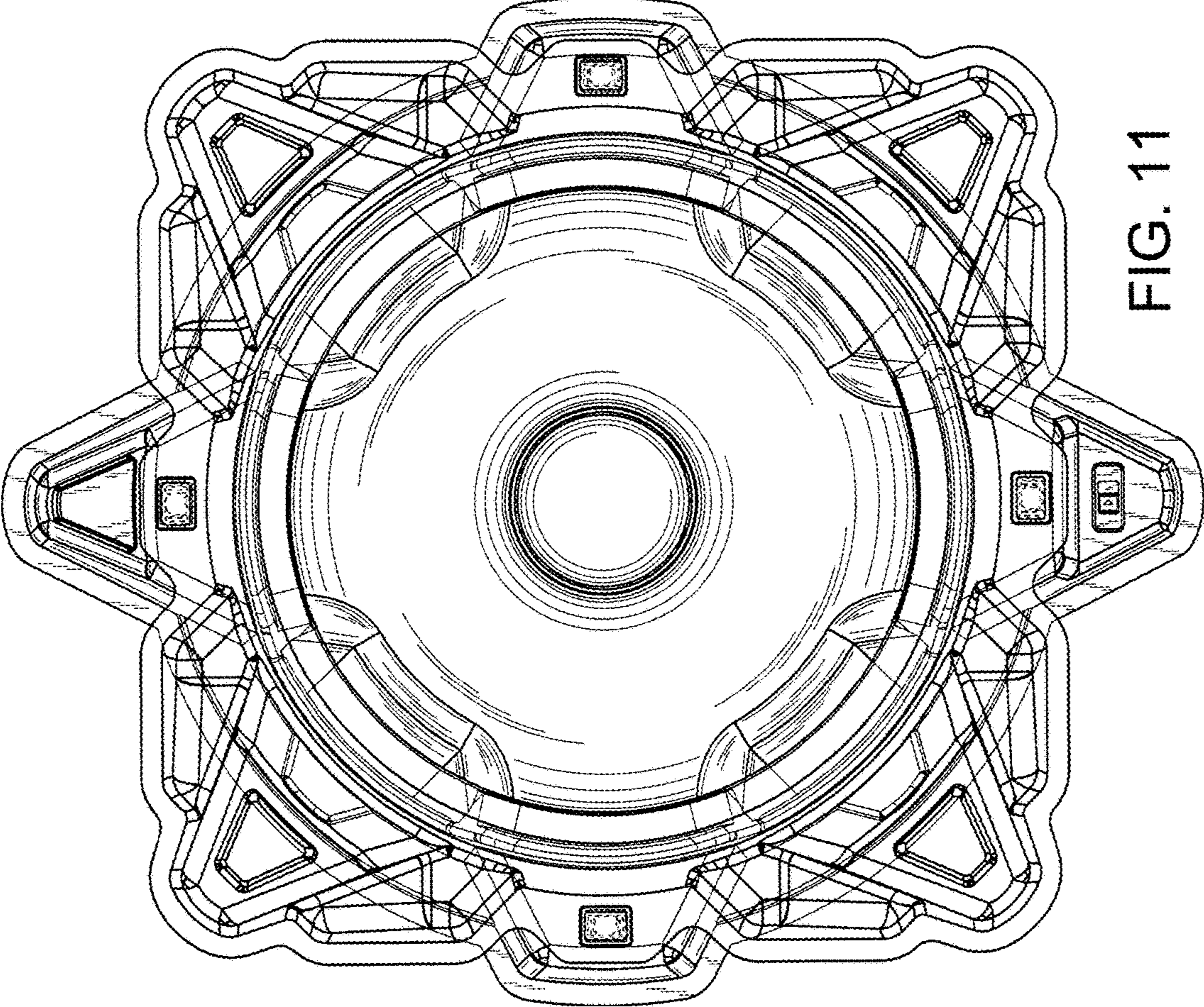


FIG. 11

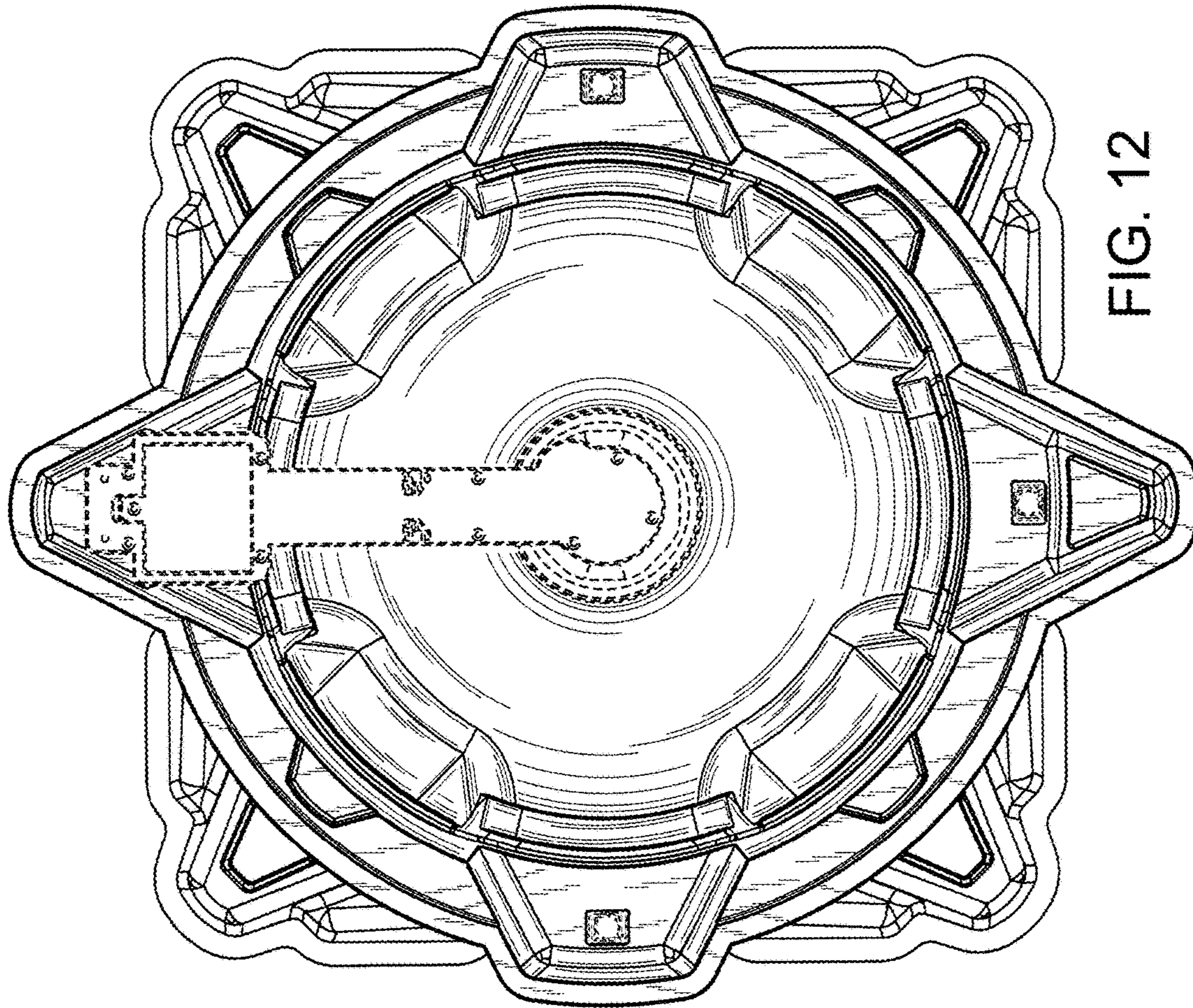


FIG. 12

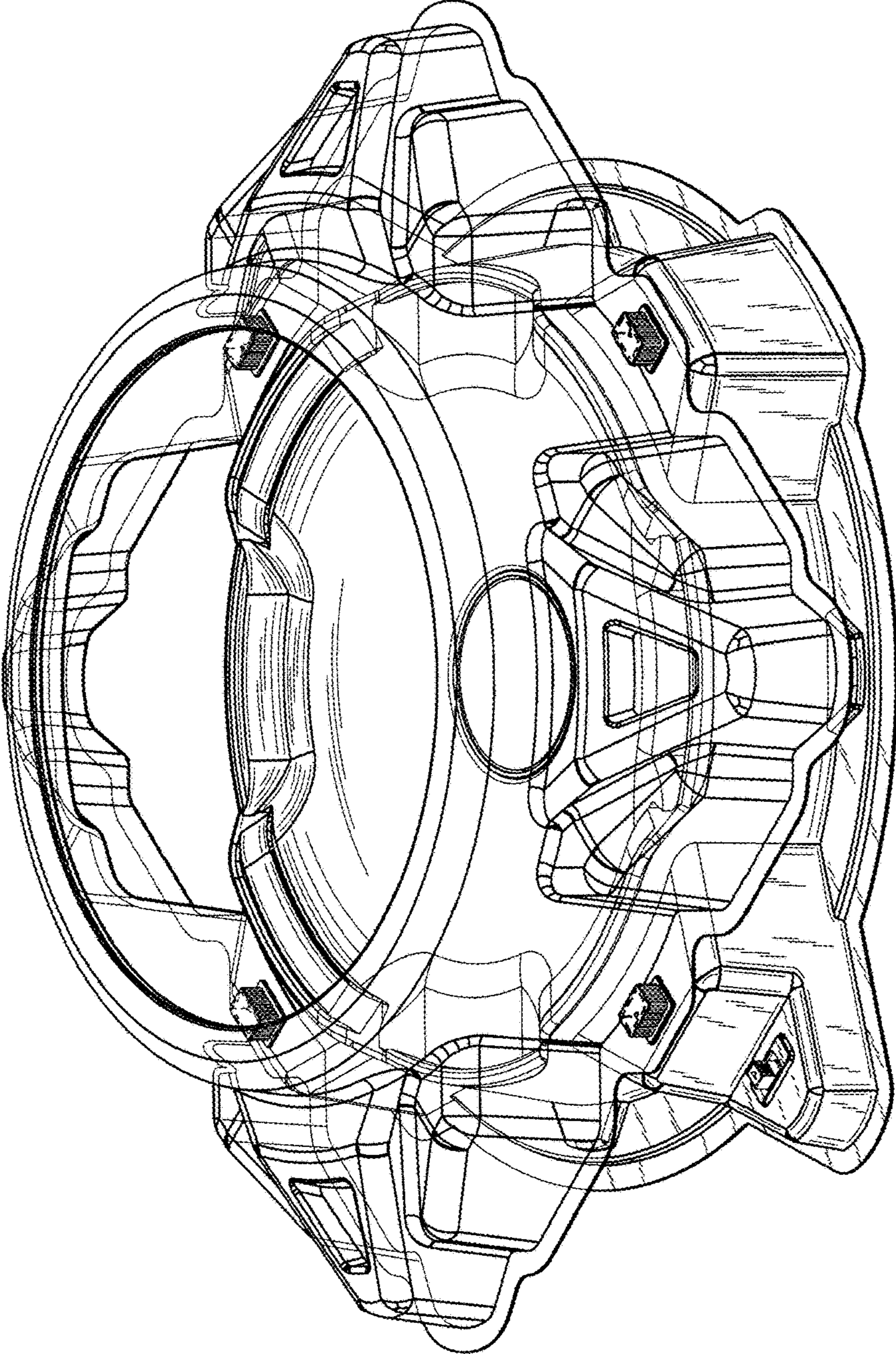


FIG. 13

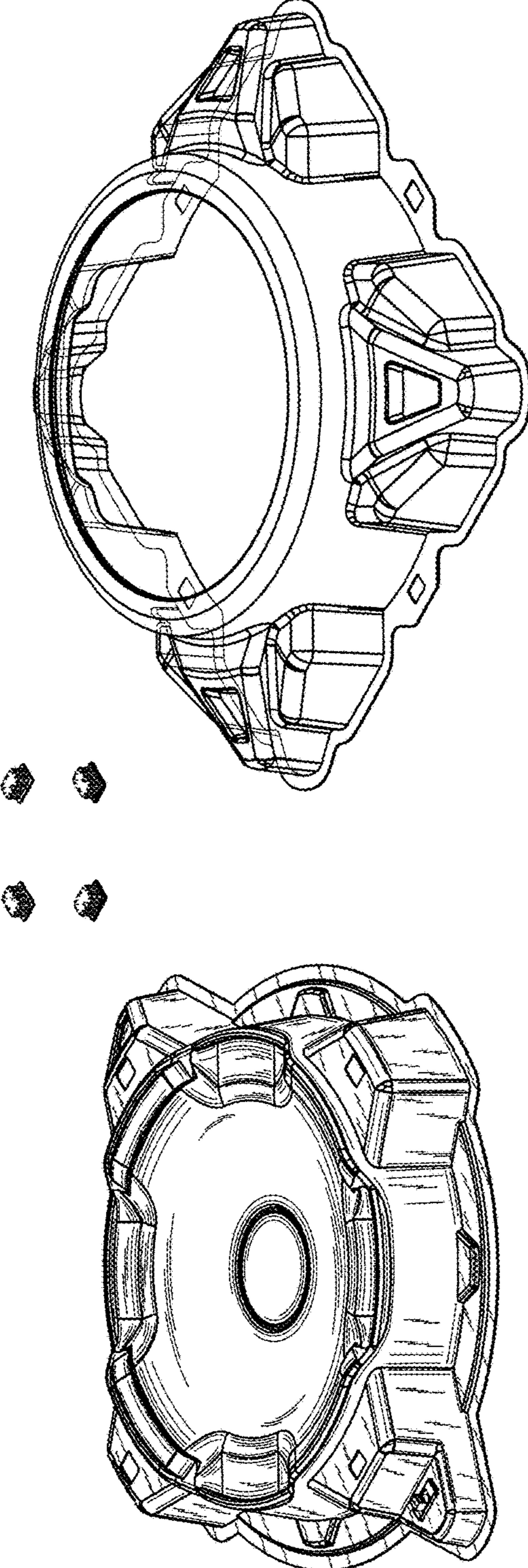


FIG. 14

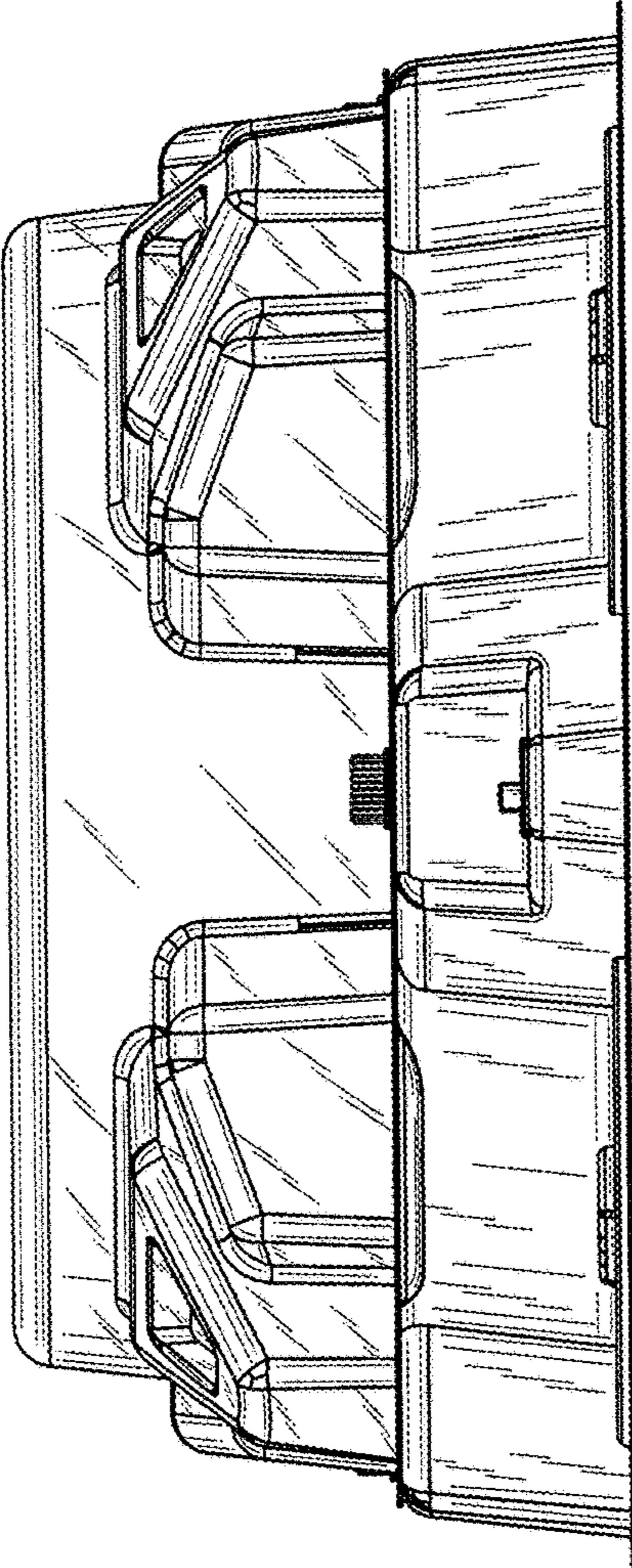


FIG. 15

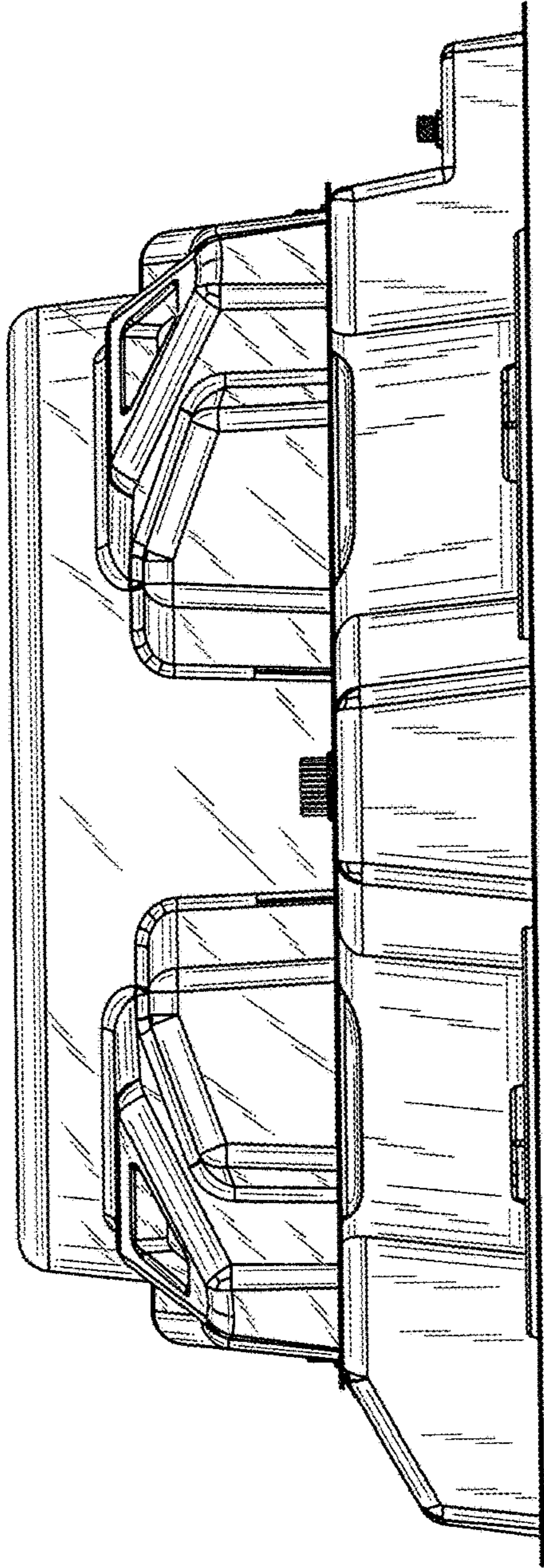


FIG. 16

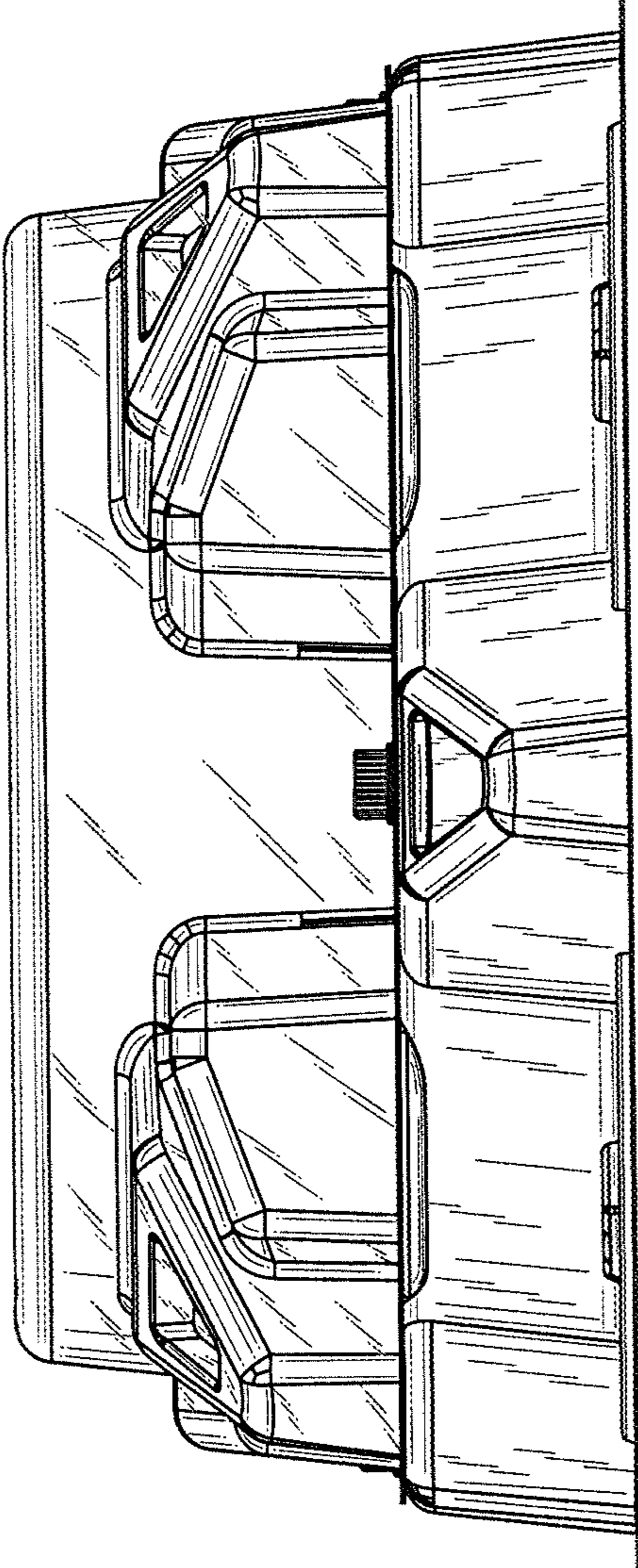


FIG. 17

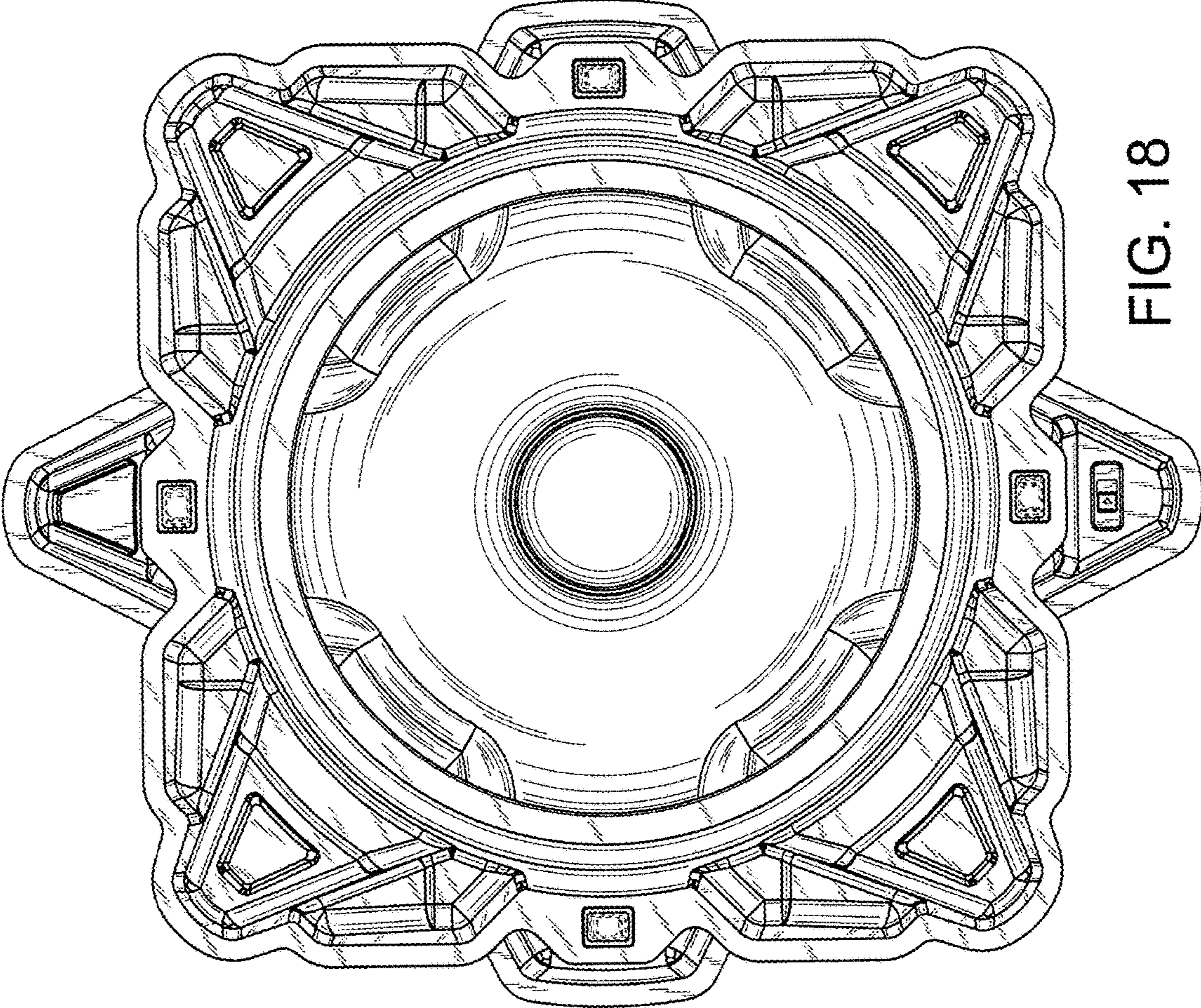


FIG. 18

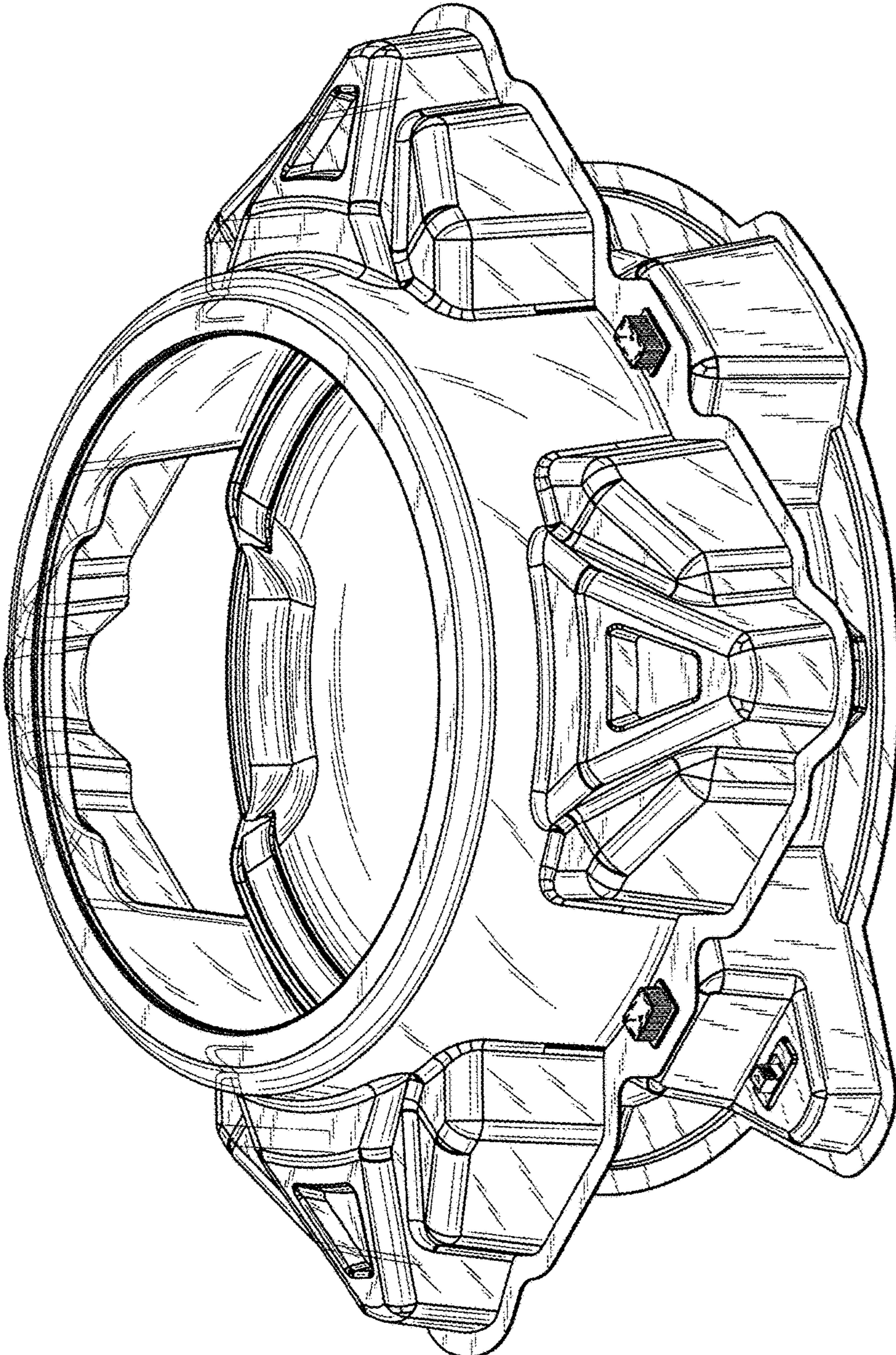


FIG. 19

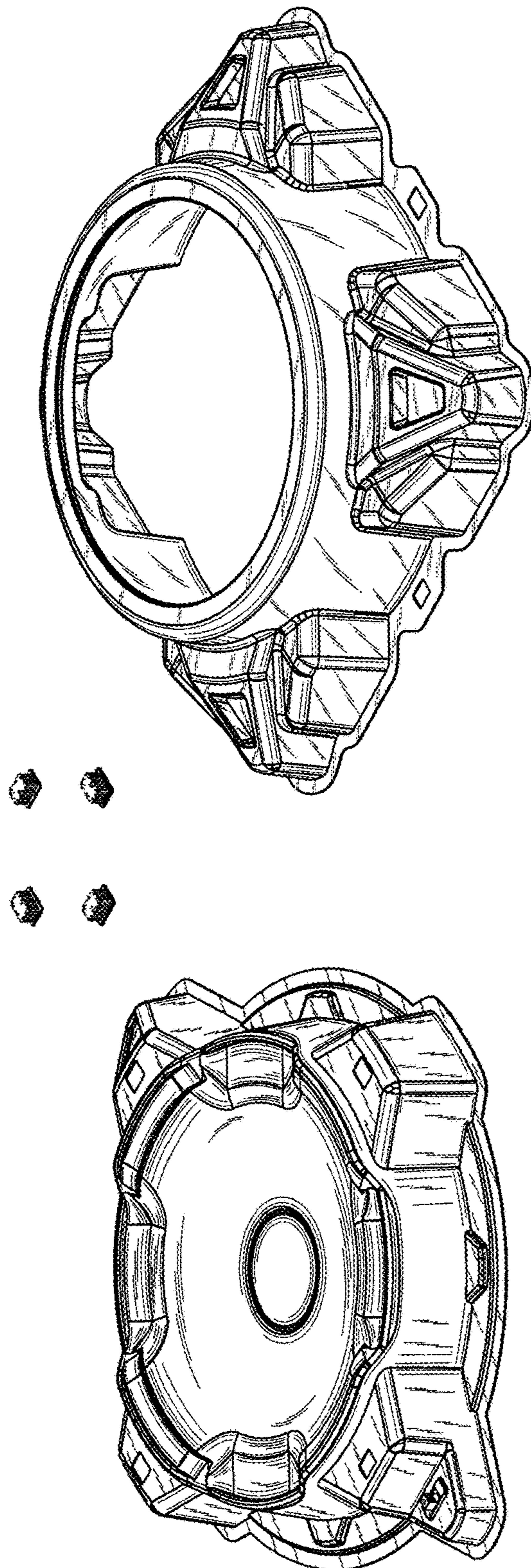


FIG. 20