



US00D859530S

(12) **United States Design Patent** (10) **Patent No.:** **US D859,530 S**
Li (45) **Date of Patent:** **** Sep. 10, 2019**

(54) **BLUETOOTH WIRELESS GAMEPAD**

(71) Applicant: **Shenzhen Bestodo Technology Co., Ltd, Guangdong (CN)**

(72) Inventor: **Weiling Li, Guangdong (CN)**

(**) Term: **15 Years**

(21) Appl. No.: **29/610,660**

(22) Filed: **Jul. 14, 2017**

(30) **Foreign Application Priority Data**

Jun. 6, 2017 (CN) 2017 3 0226290

(51) **LOC (12) Cl.** **21-01**

(52) **U.S. Cl.**
USPC **D21/333**

(58) **Field of Classification Search**
USPC D21/333, 328, 566; D14/160, 137, 138,
D14/168, 174, 217, 218, 356, 387, 388,
D14/389, 400, 401, 415, 443, 449, 450,
D14/454, 471, 474, 483, 496, 511;
D12/174, 177, 190, 218; D13/164, 168;
D18/19; D24/200

CPC A63F 13/24; A63F 13/31; H04N 7/14;
H04N 21/00; G06F 1/1666

See application file for complete search history.

(56) **References Cited**

U.S. PATENT DOCUMENTS

D325,225 S * 4/1992 Adhida D14/401
D338,242 S * 8/1993 Cordell D14/401
D345,164 S * 3/1994 Grae D14/401
D352,970 S * 11/1994 Ho D14/401
D355,450 S * 2/1995 Ho D14/401

D360,436 S * 7/1995 Chan D14/401
D360,903 S * 8/1995 Barr D14/401
D362,277 S * 9/1995 Chan D14/401
D368,936 S * 4/1996 Goto D14/401
D527,005 S * 8/2006 Navarrez D14/401
D568,883 S * 5/2008 Ashida D14/400
D570,349 S * 6/2008 Ashida D14/400
D605,237 S * 12/2009 Uemura D21/566
D614,705 S * 4/2010 Biheller D14/400
D620,939 S * 8/2010 Suetake D14/401
D711,474 S * 8/2014 Wikel D14/401
D715,362 S * 10/2014 He D14/401
D783,095 S * 4/2017 Raina D14/401
2016/0228766 A1 * 8/2016 Kissoon A63F 13/24

* cited by examiner

Primary Examiner — Barbara Fox

Assistant Examiner — Mehri F Bajoul

(74) *Attorney, Agent, or Firm* — Prakash Nama; Global IP Services, PLLC

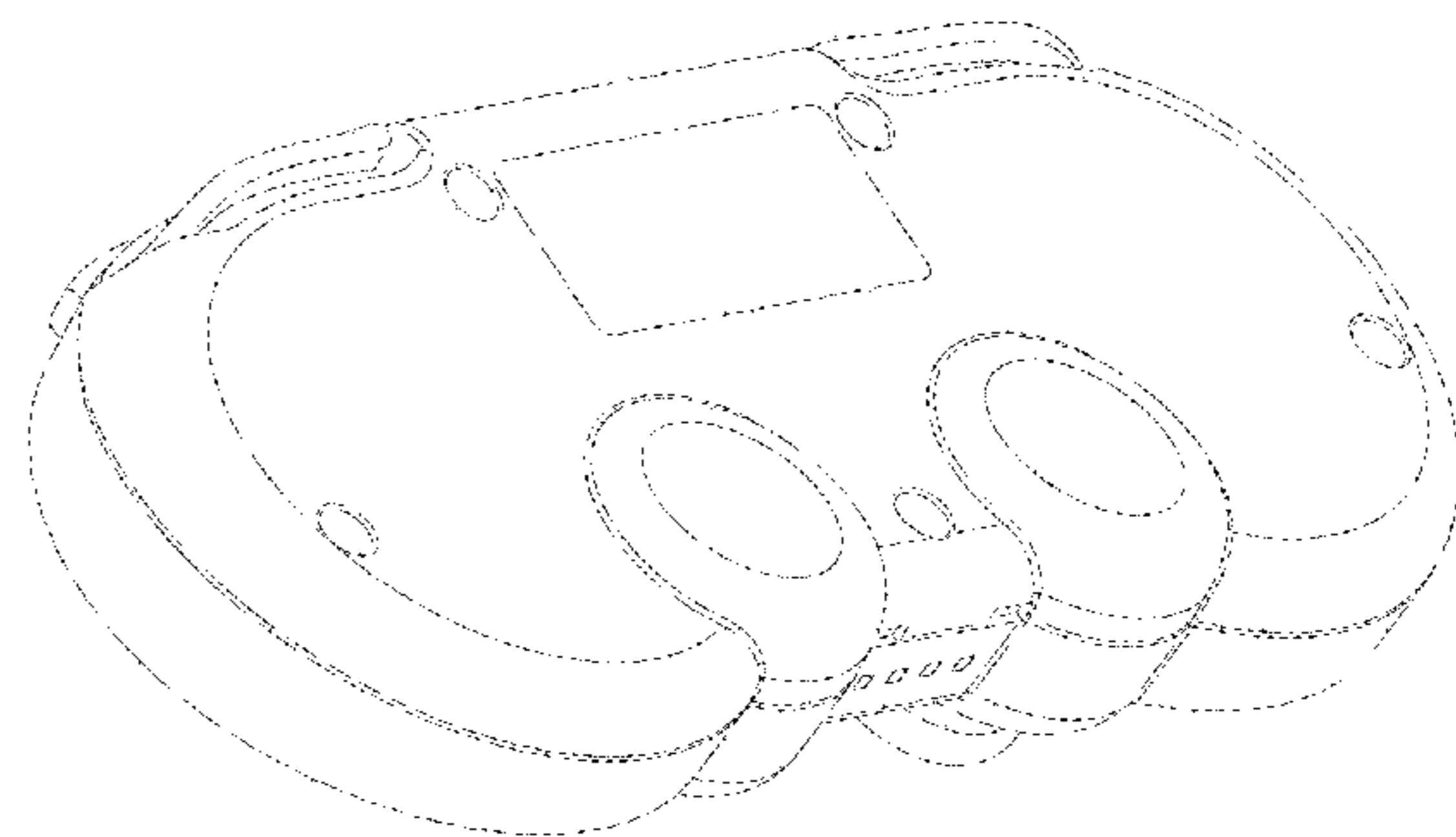
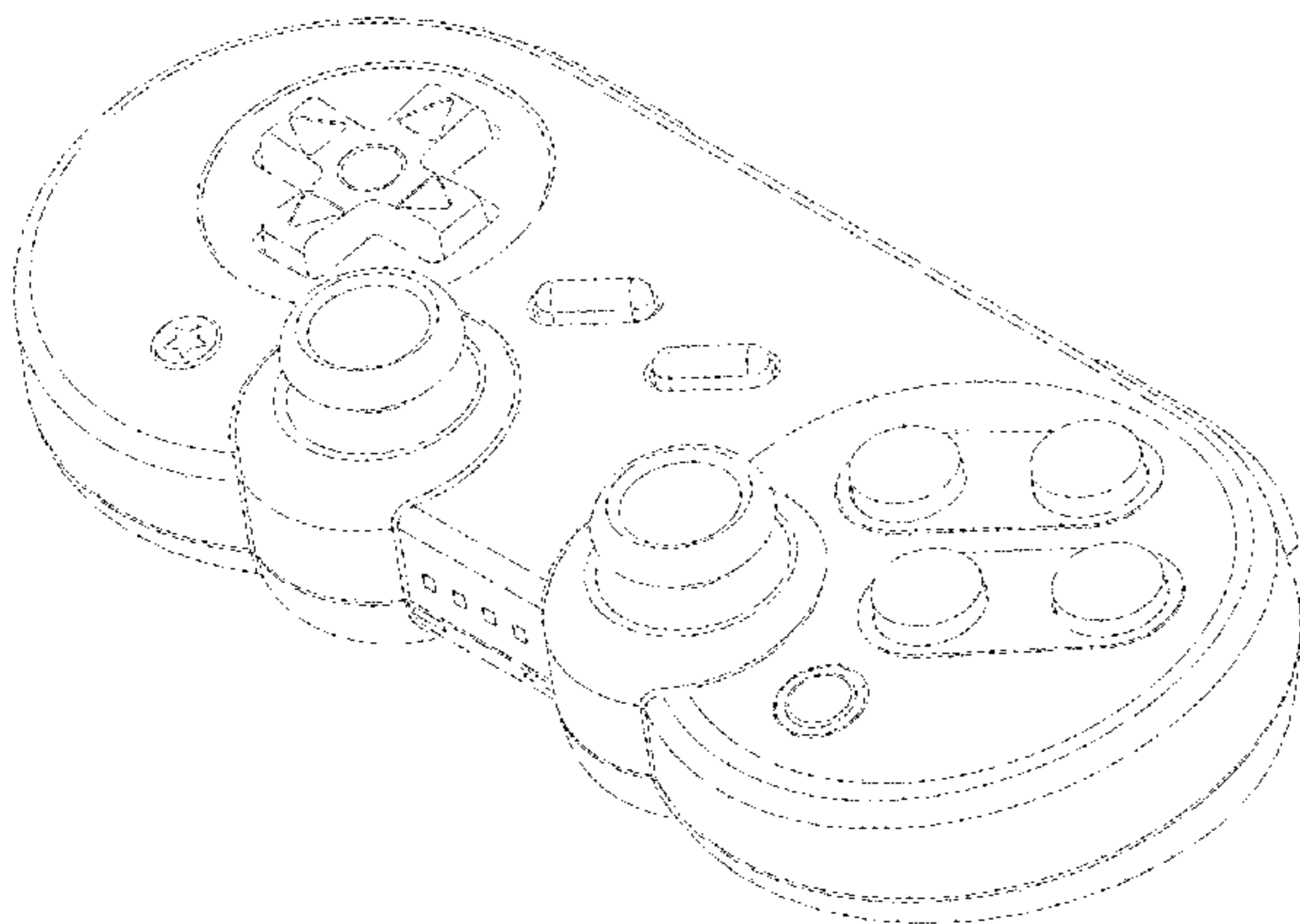
(57) **CLAIM**

The ornamental design for a bluetooth wireless gamepad, as shown.

DESCRIPTION

FIG. 1 is a front view of a bluetooth wireless gamepad showing my new design;
FIG. 2 is a rear view thereof;
FIG. 3 is a left side view thereof;
FIG. 4 is a right side view thereof;
FIG. 5 is a top plan view thereof;
FIG. 6 is a bottom plan view thereof;
FIG. 7 is a front perspective view thereof;
FIG. 8 is a rear perspective view thereof; and,
FIG. 9 is a top perspective view thereof.

1 Claim, 4 Drawing Sheets



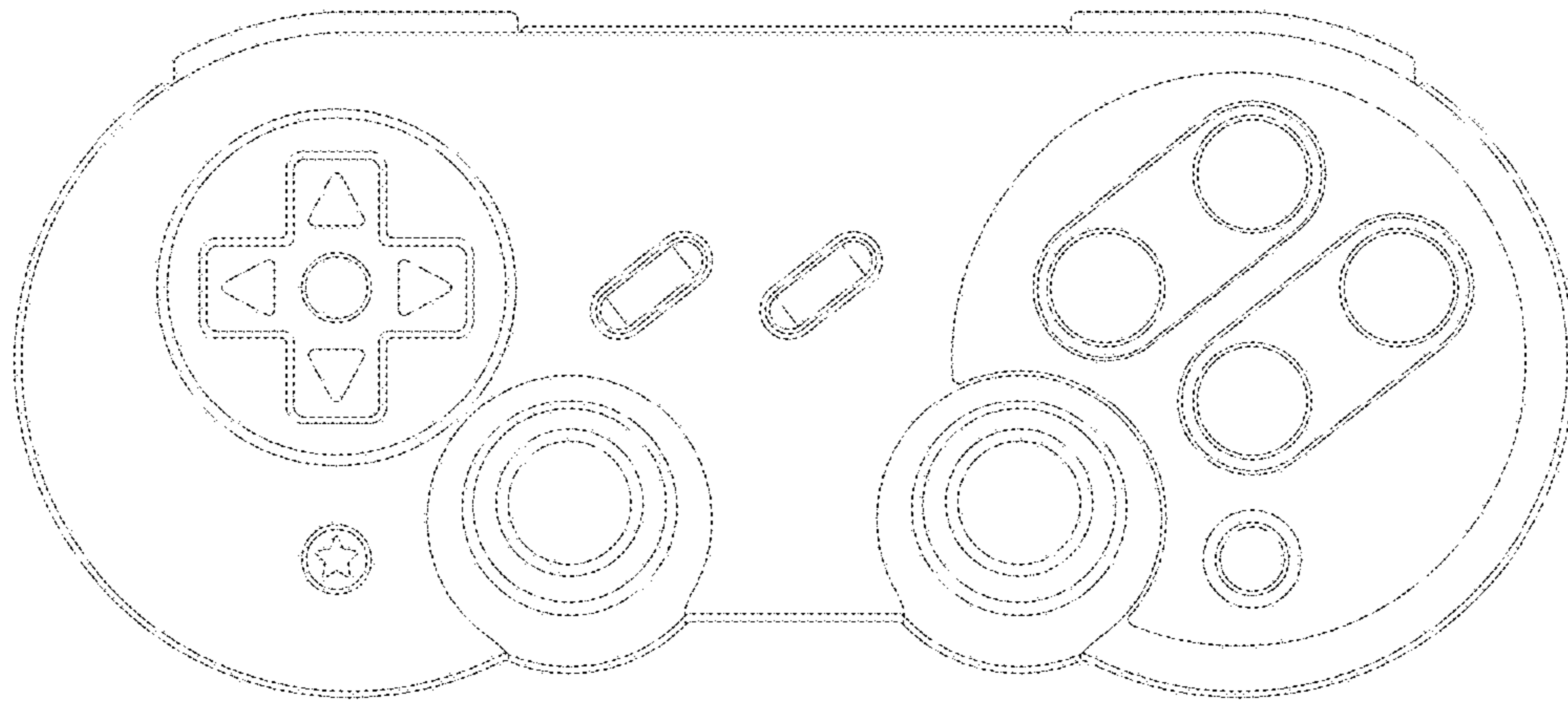


FIG. 1

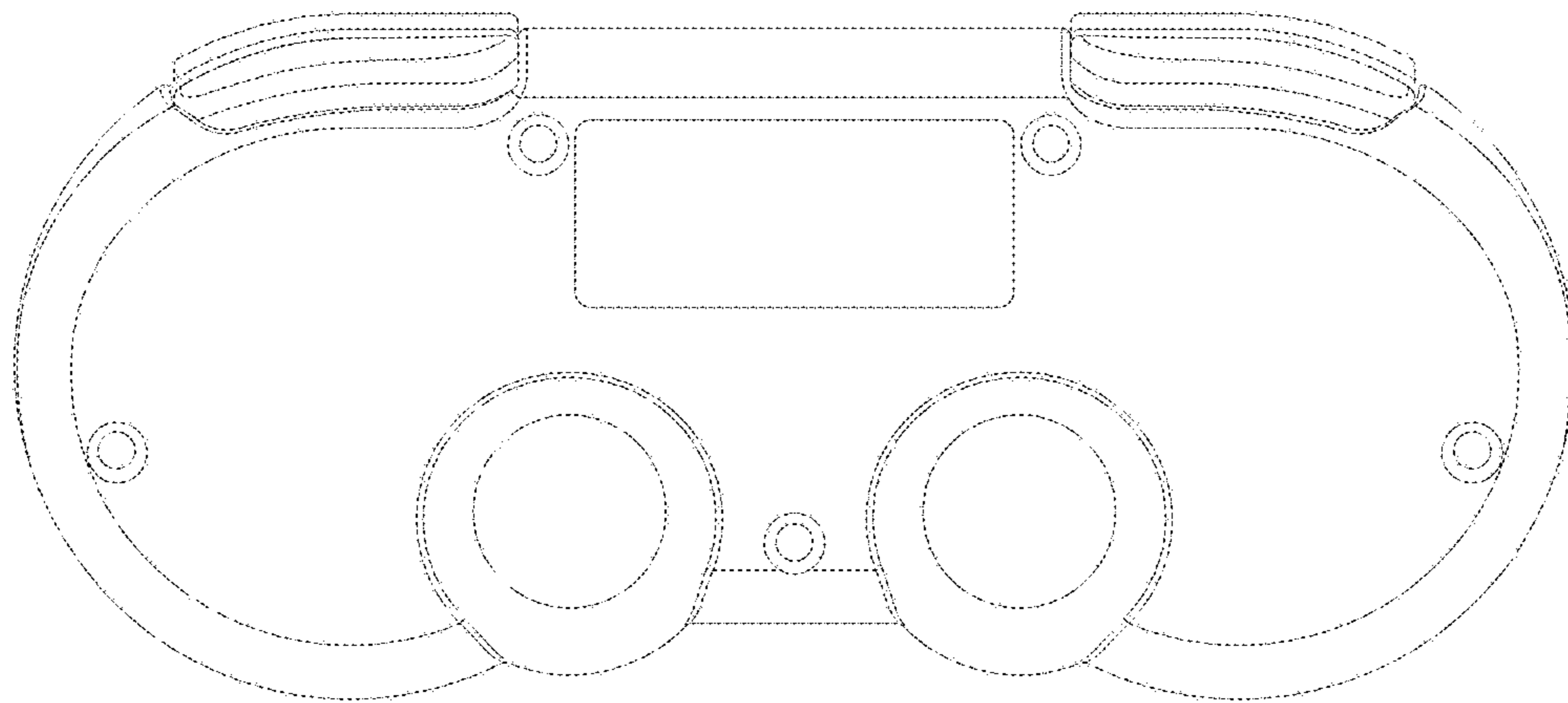


FIG. 2

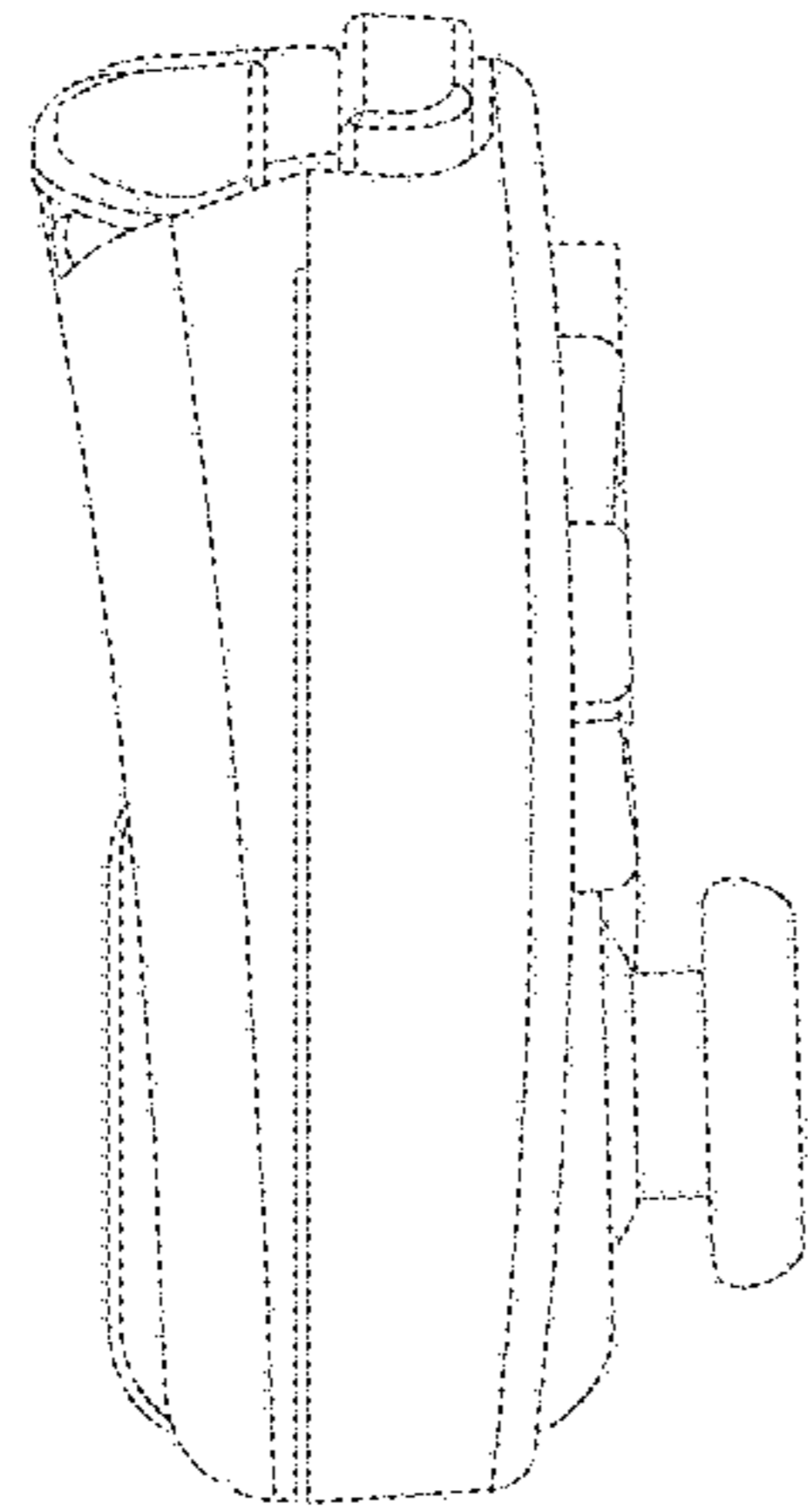


FIG. 3

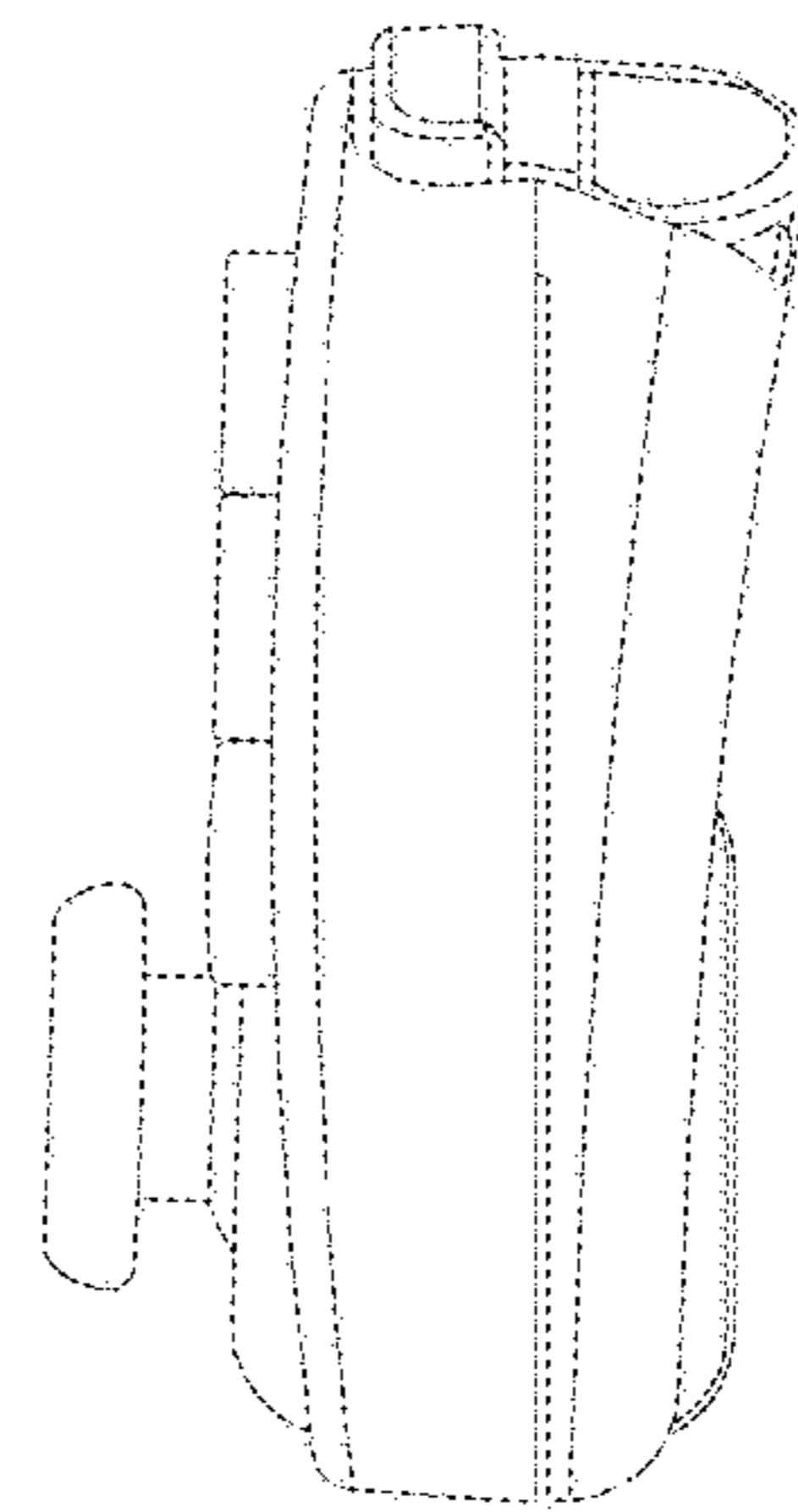


FIG. 4

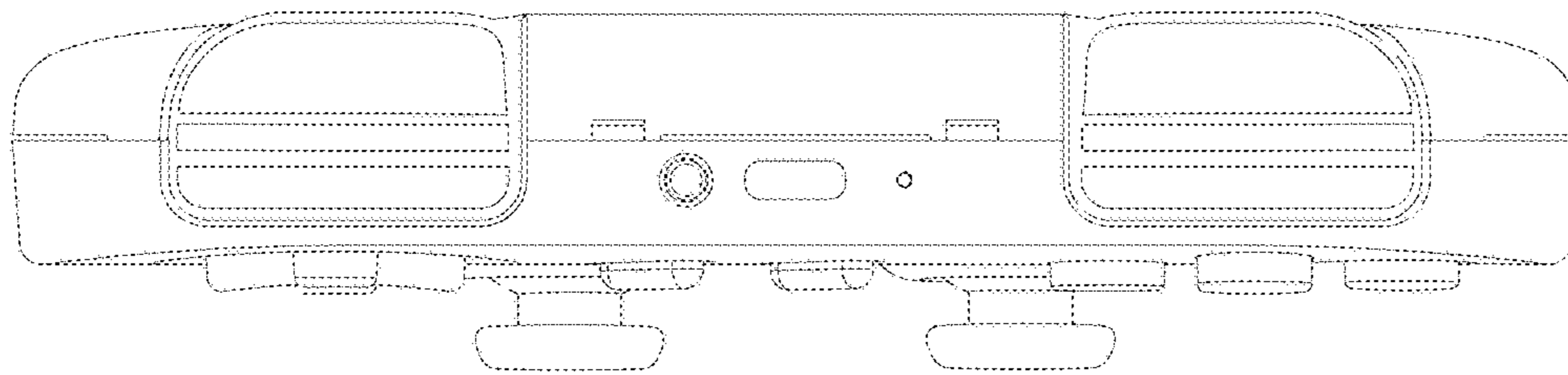


FIG. 5

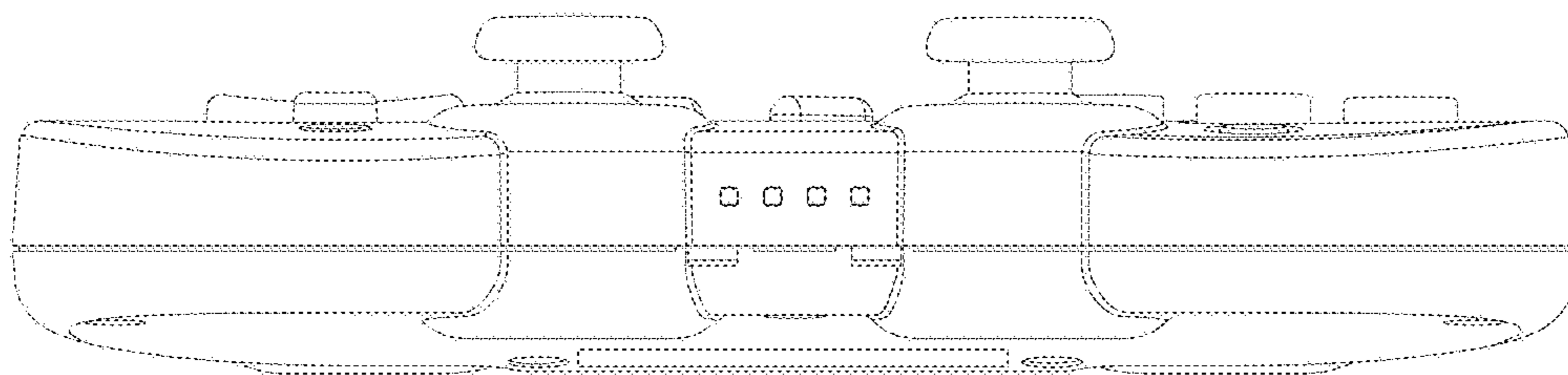


FIG. 6

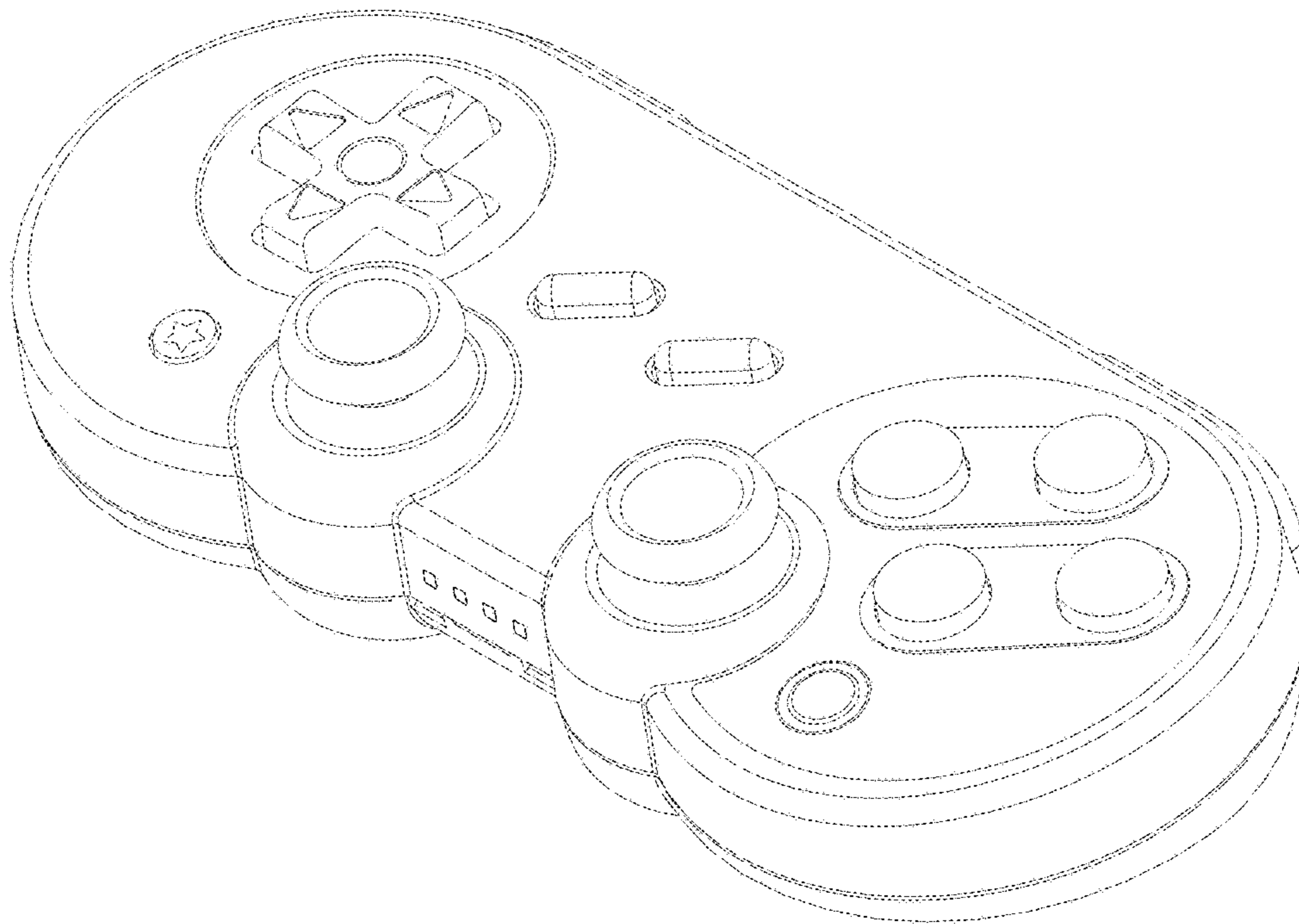


FIG. 7

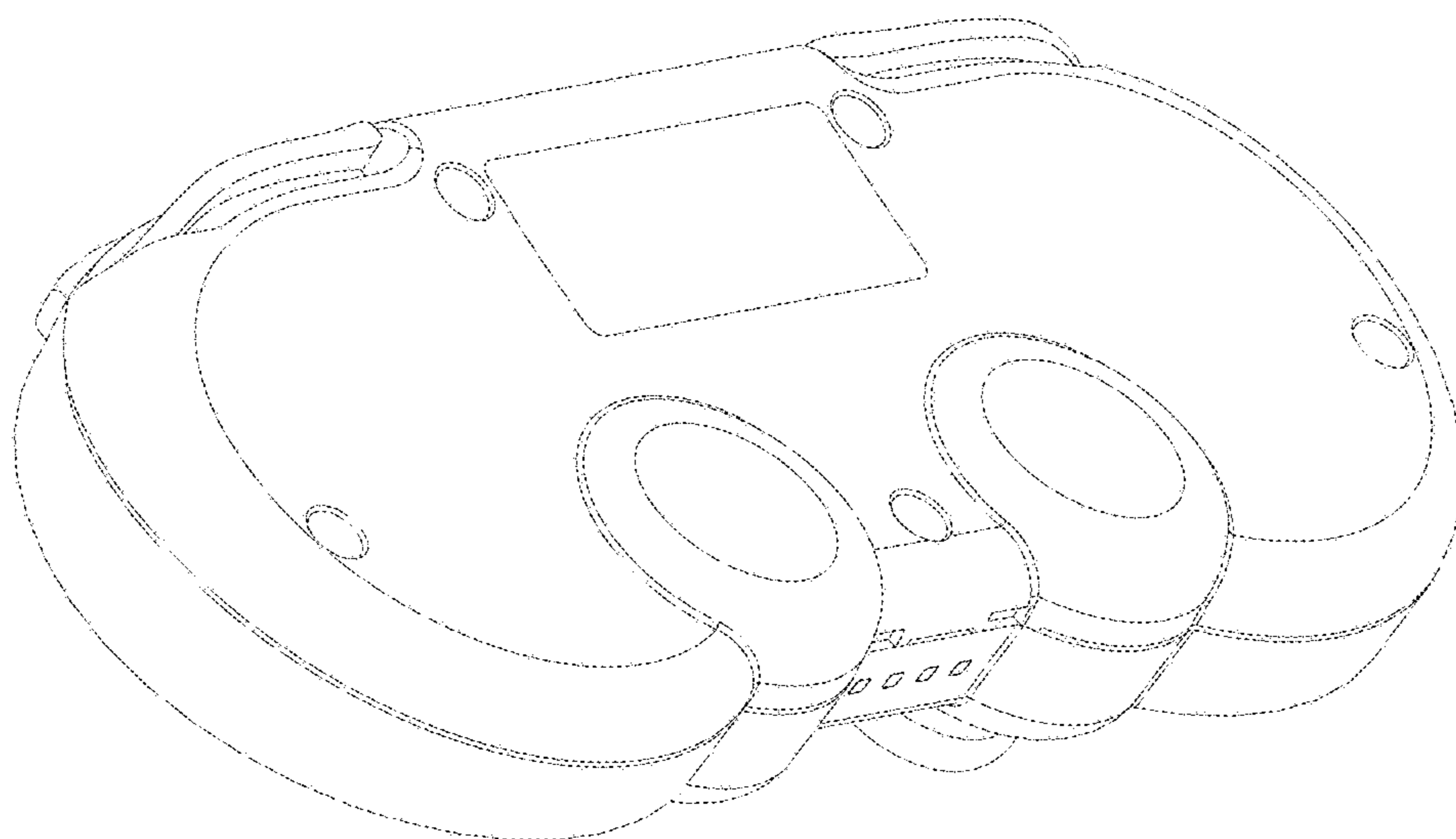


FIG. 8

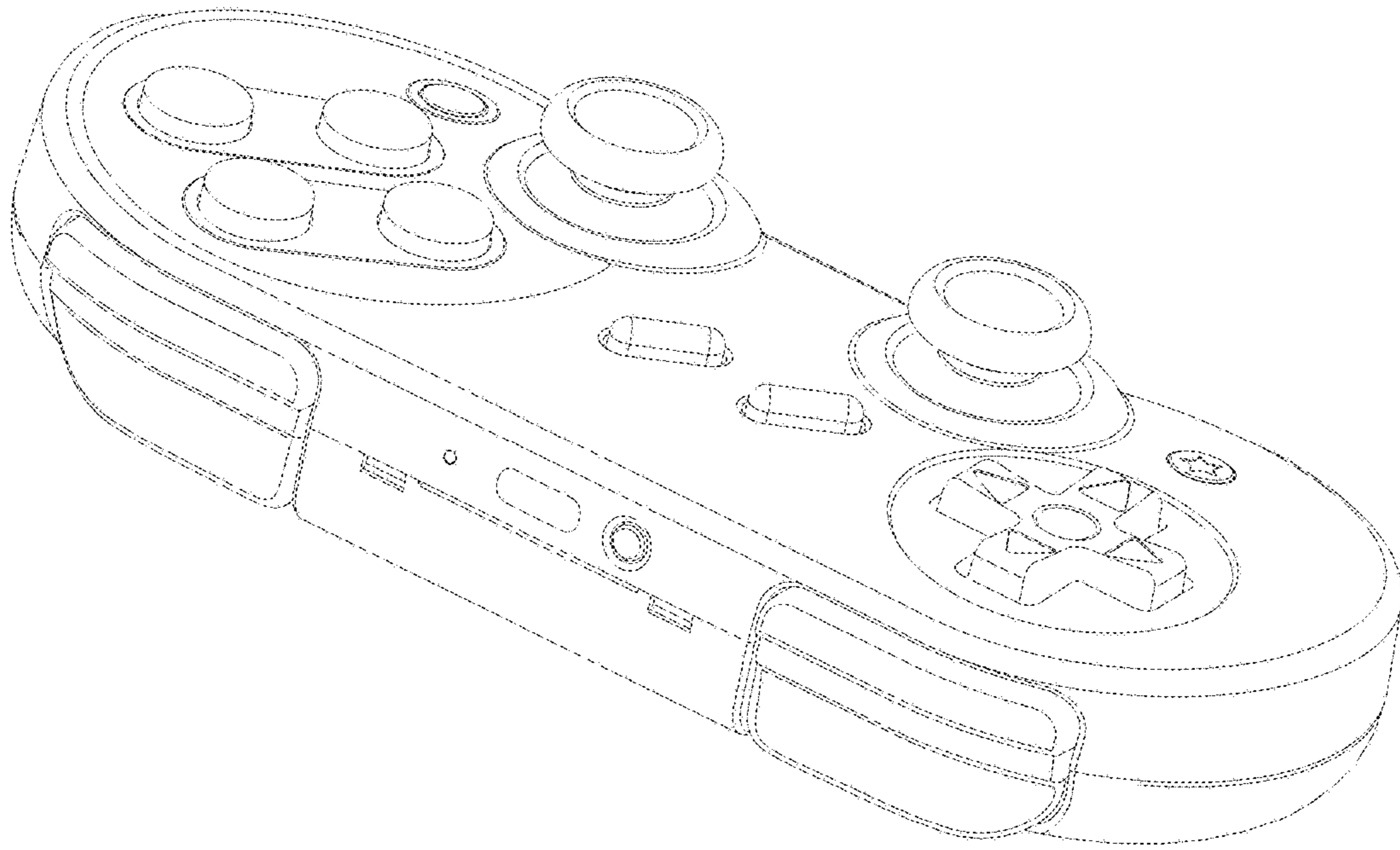


FIG. 9