



US00D859529S

(12) **United States Design Patent** (10) **Patent No.:** **US D859,529 S**
Burris (45) **Date of Patent:** **** Sep. 10, 2019**

(54) **TOSSING GAME BOARD**
(71) Applicant: **Michael Burris**, Rock Hill, SC (US)
(72) Inventor: **Michael Burris**, Rock Hill, SC (US)
(**) Term: **15 Years**
(21) Appl. No.: **29/649,609**
(22) Filed: **May 31, 2018**
(51) **LOC (12) Cl.** **21-01**
(52) **U.S. Cl.**
USPC **D21/303**
(58) **Field of Classification Search**
USPC D21/300, 301, 302, 303, 304, 318, 319,
D21/322, 334, 335, 336, 341, 342, 343,
D21/365, 385, 386, 390, 789, 790, 791,
D21/396, 397; D6/302, 309, 310, 312,
D6/332; 273/17, 331, 336, 398, 400,
273/402, 407, 408, 410, 118 R, 123 R,
273/348, 386
CPC A63B 63/00; A63B 63/08; A63B 67/00;
A63B 71/00
See application file for complete search history.

(56) **References Cited**

U.S. PATENT DOCUMENTS

D138,118	S *	6/1944	Pease	273/409
D266,173	S *	9/1982	Saint Ives	D21/366
5,320,360	A	6/1994	St. Pierre		
D438,910	S *	3/2001	Culberson	D21/303
7,775,525	B2	8/2010	Stayer		
D635,197	S *	3/2011	Pryor	D21/303
D645,520	S *	9/2011	Dahl	D21/303
8,465,022	B2	6/2013	Weiss		
D706,353	S *	6/2014	Montenare	D21/303
D706,354	S *	6/2014	Montenare	D21/303
D706,355	S *	6/2014	Montenare	D21/303
D729,319	S *	5/2015	Meissner	D21/303
D808,465	S *	1/2018	Wolters	D21/303
D827,031	S *	8/2018	Valladares	D21/303

D827,078	S *	8/2018	McAuley	D21/790
D838,791	S *	1/2019	Schneider	D21/699
2007/0035087	A1 *	2/2007	Guagliardo	A63F 3/00 273/243
2008/0042360	A1	2/2008	Veikley		
2012/0038108	A1 *	2/2012	McLaughlin, Jr.	A63B 63/08 273/402
2012/0200042	A1 *	8/2012	Kelly	A63F 9/0208 273/408
2014/0333028	A2	11/2014	Nally		
2015/0108719	A1	4/2015	Devine		

OTHER PUBLICATIONS

“Kikkerland Desktop Cornhold Bean Bag Game”, posted Apr. 24, 2017 [online], [retrieved Apr. 19, 2019]. Retrieved from internet, https://www.amazon.com/Kikkerland-Desktop-Cornhold-Bean-Game/product-reviews/B00LCRSIYK/ref=cm_cr_getr_d_paging_btm_next_2?ie=UTF8&reviewerType=all_reviews&sortBy=recent&pageNumber=2.*

* cited by examiner

Primary Examiner — Barbara Fox
Assistant Examiner — Mehri F Bajoul

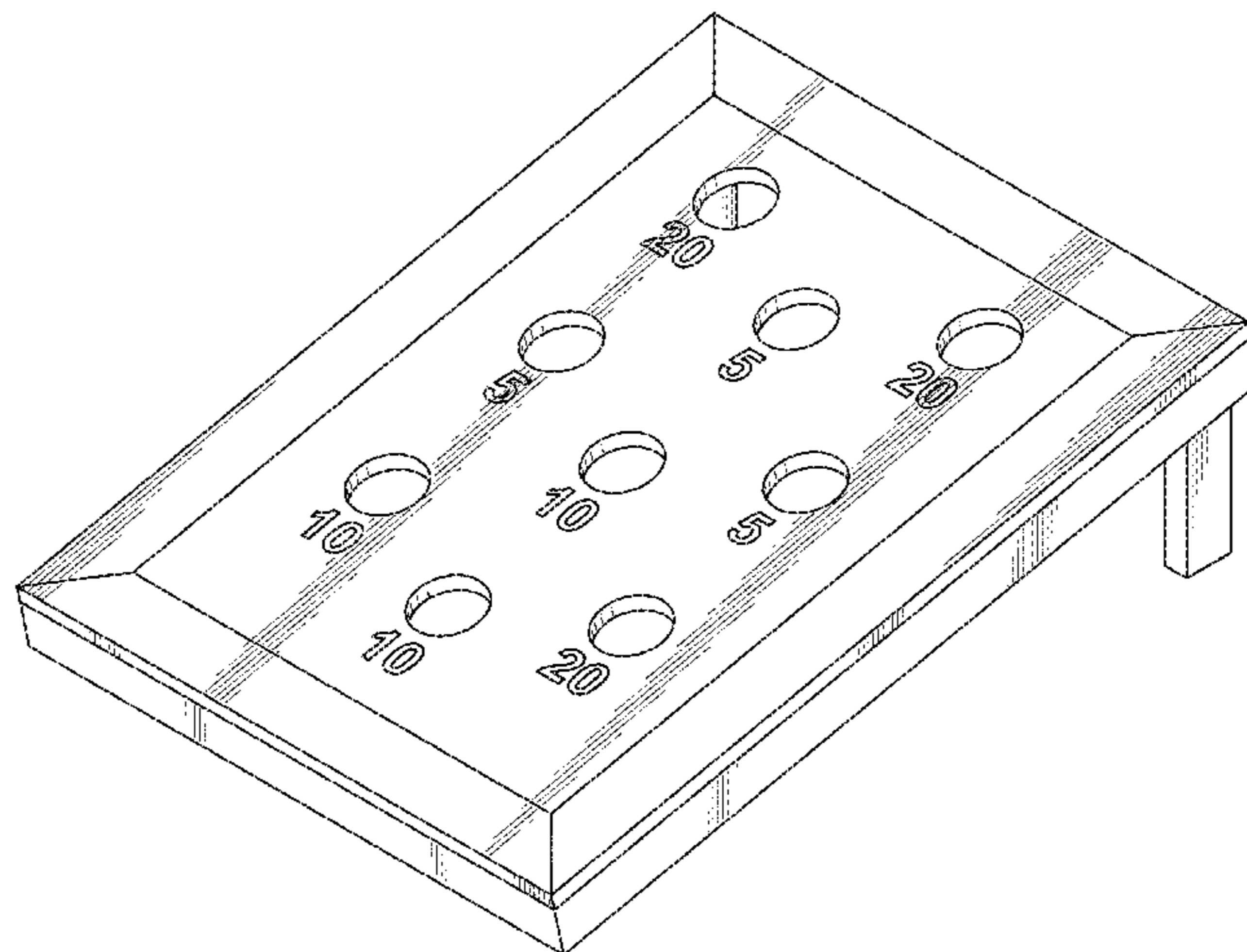
(57) **CLAIM**

The ornamental design for a tossing game board, as shown and described.

DESCRIPTION

FIG. 1 is a front view of a tossing game board showing my new design;
FIG. 2 is a rear view of the tossing game board;
FIG. 3 is a right side view of the tossing game board;
FIG. 4 is a left side view of the tossing game board;
FIG. 5 is a top view of the tossing game board;
FIG. 6 is a bottom view of the tossing game board; and,
FIG. 7 is a top front side perspective view of the tossing game board.

1 Claim, 5 Drawing Sheets



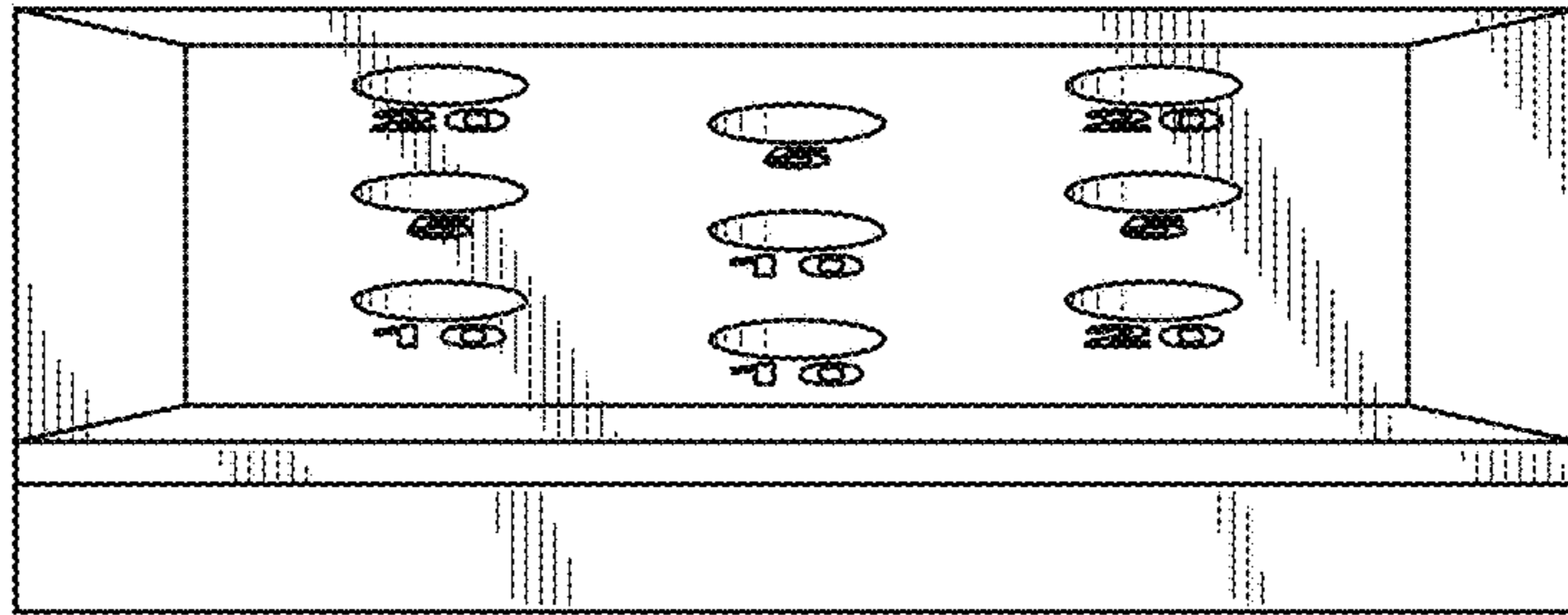


FIG. 1

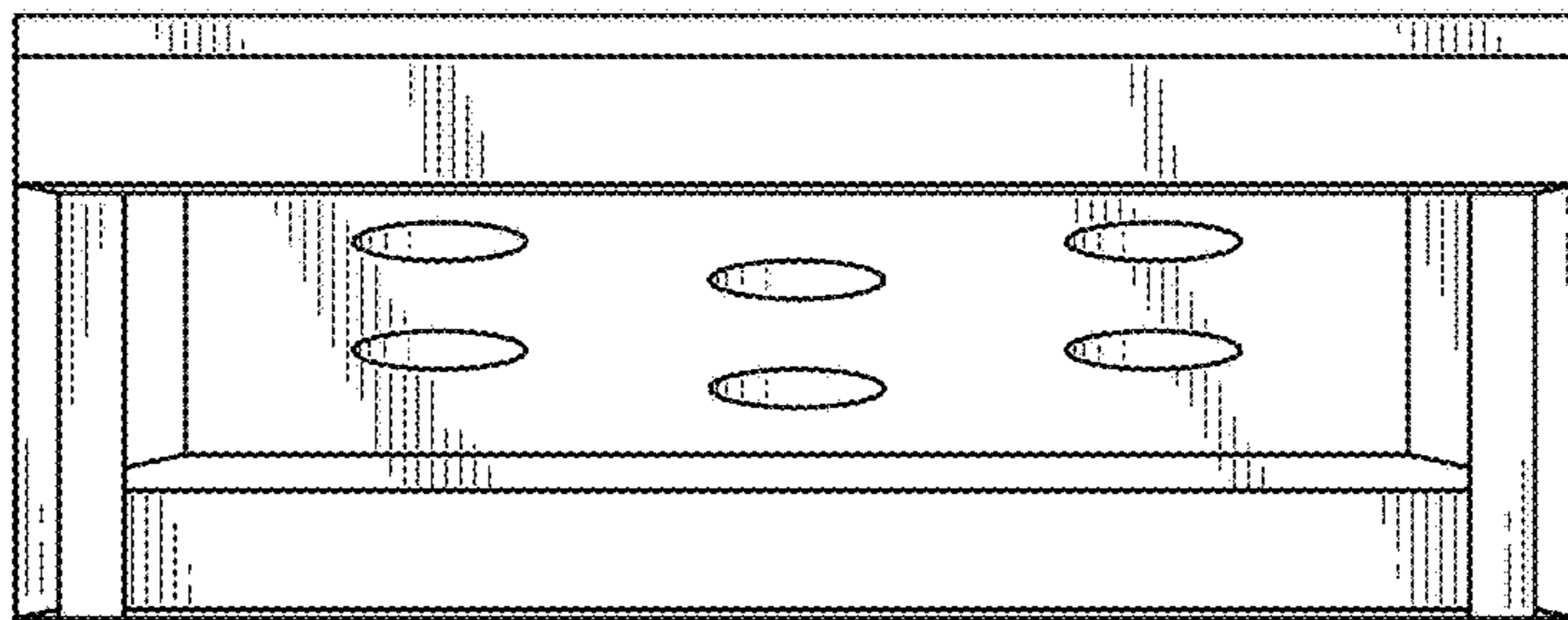


FIG. 2

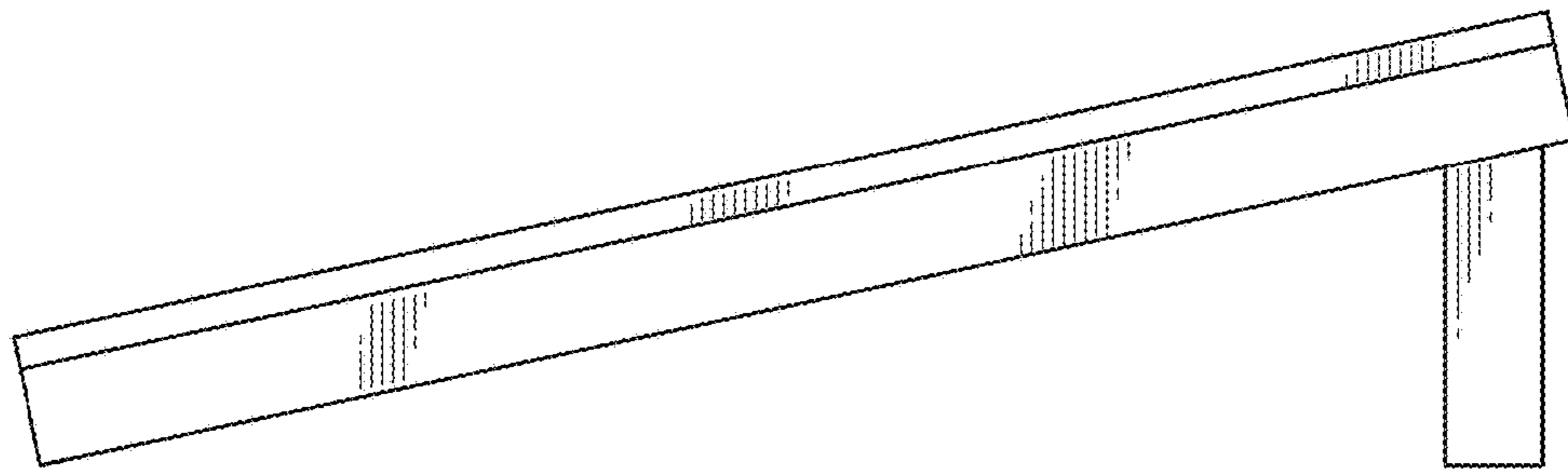


FIG. 3

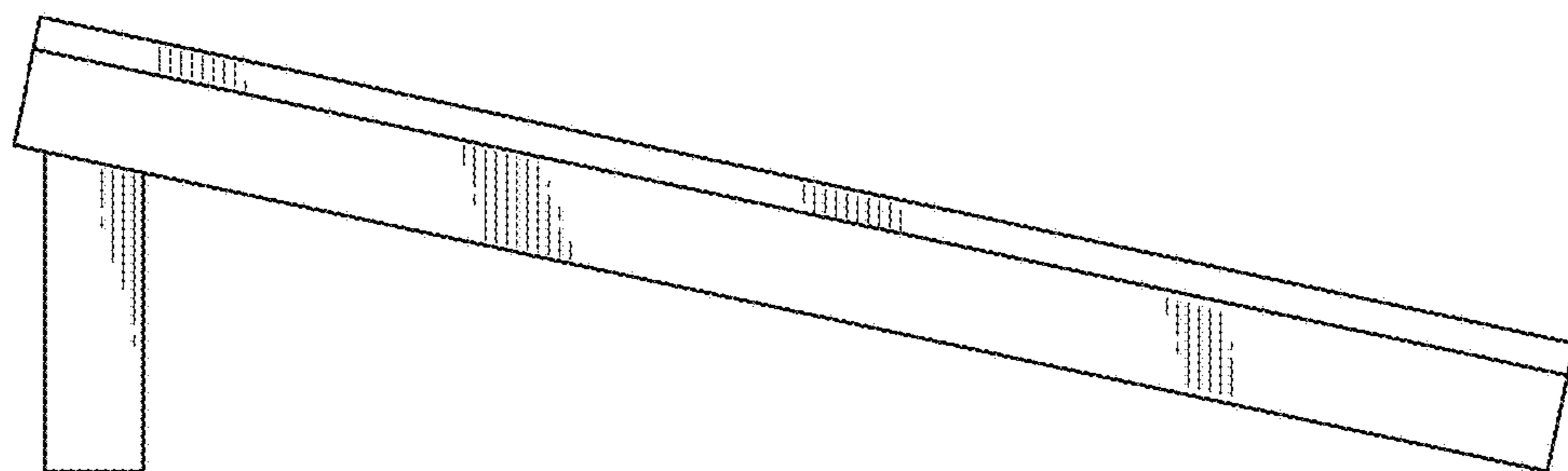


FIG. 4

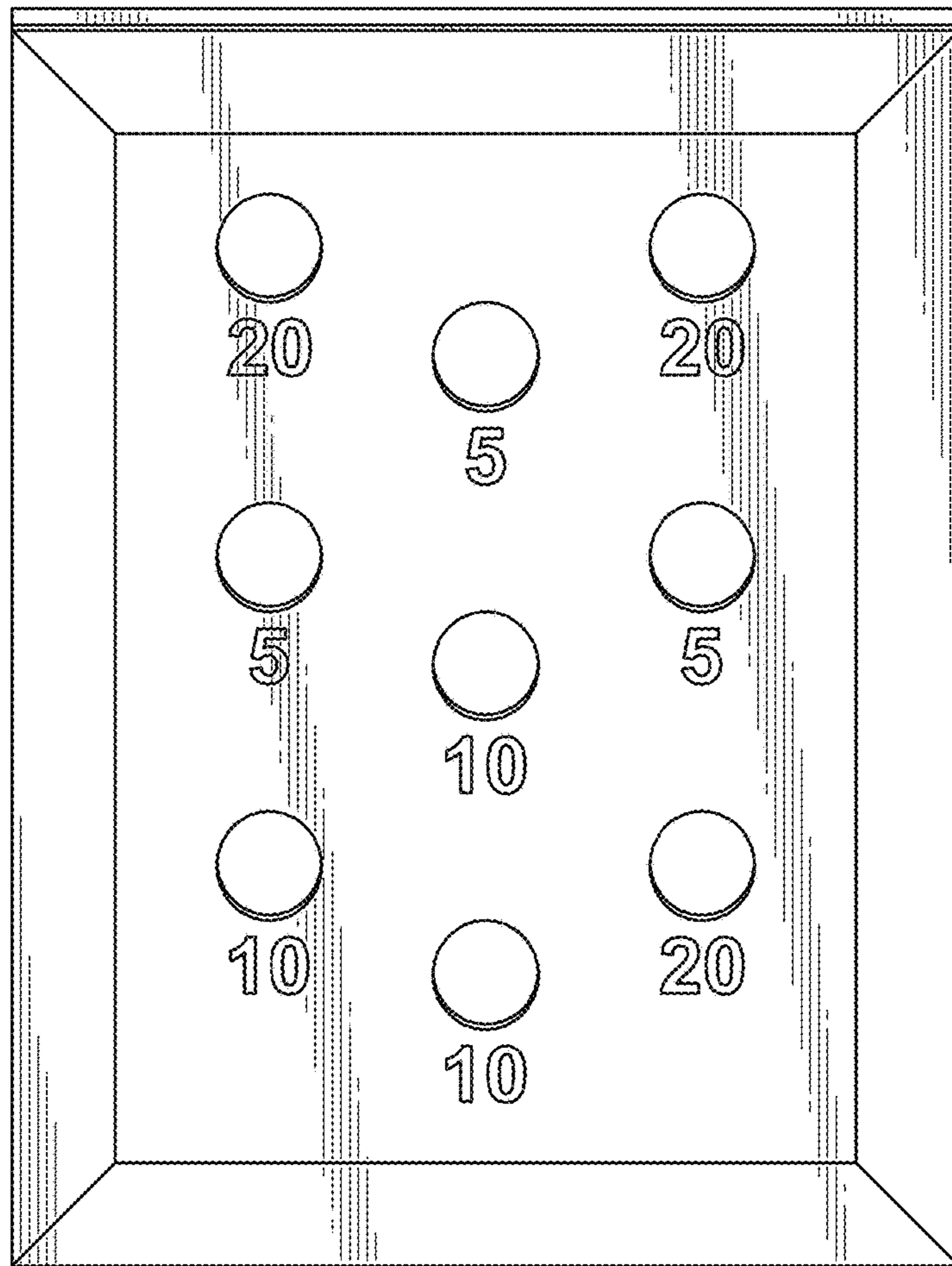


FIG. 5

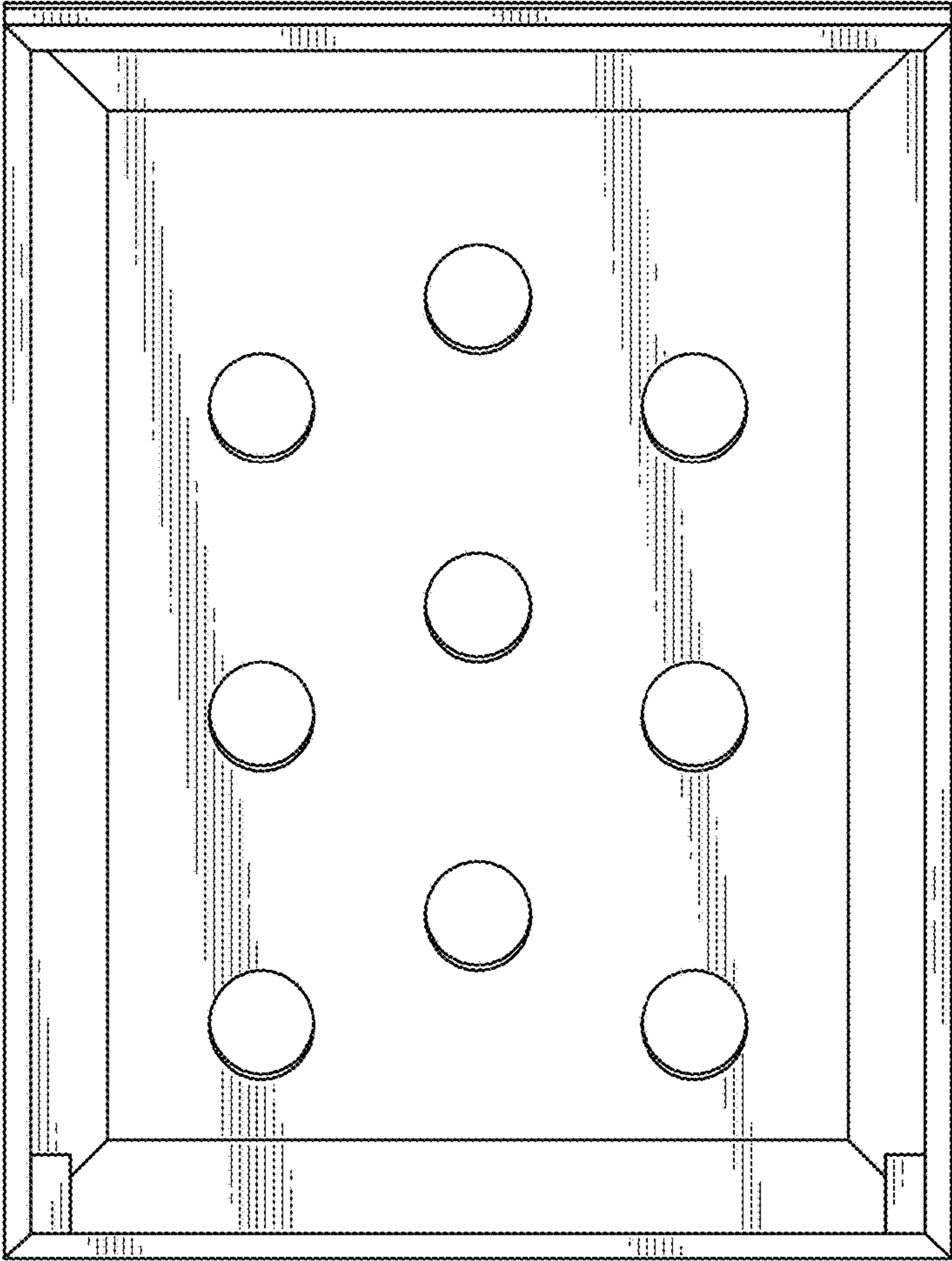


FIG. 6

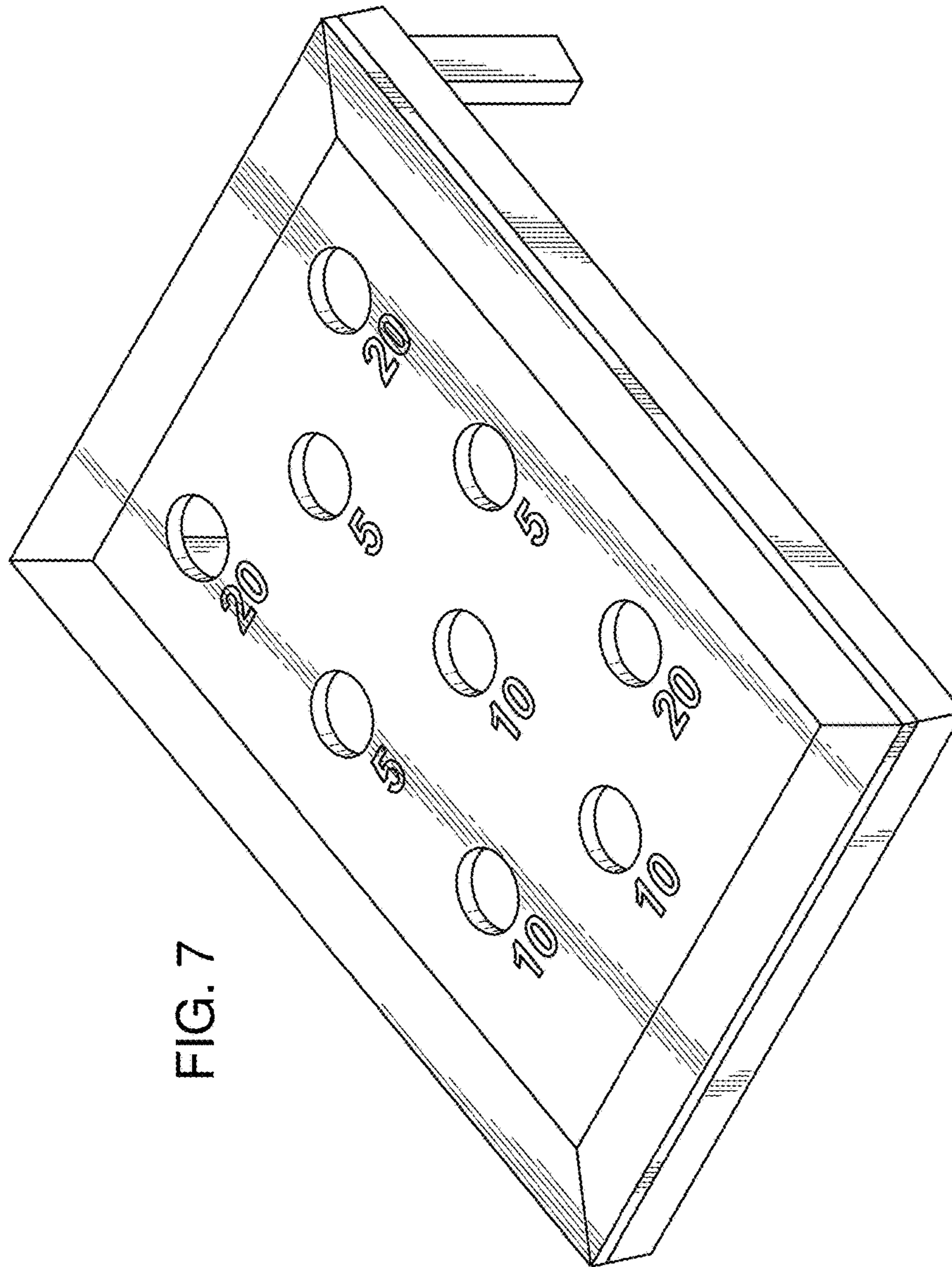


FIG. 7