



US00D859528S

(12) **United States Design Patent** (10) **Patent No.:** **US D859,528 S**
Lewis et al. (45) **Date of Patent:** **** Sep. 10, 2019**

- (54) **DISPLAY HOLDER FOR ATTACHMENT TO GARMENTS AND ACCESSORIES**
- (71) Applicants: **Stephen Lewis**, Pacific Palisades, CA (US); **Arthur Snyder**, Los Angeles, CA (US)
- (72) Inventors: **Stephen Lewis**, Pacific Palisades, CA (US); **Arthur Snyder**, Los Angeles, CA (US)
- (**) Term: **15 Years**
- (21) Appl. No.: **29/605,561**
- (22) Filed: **May 26, 2017**

Related U.S. Application Data

- (63) Continuation-in-part of application No. 15/593,664, filed on May 12, 2017.
- (60) Provisional application No. 62/335,183, filed on May 12, 2016.
- (51) **LOC (12) Cl.** **20-03**
- (52) **U.S. Cl.**
USPC **D20/43**
- (58) **Field of Classification Search**
USPC D20/10, 19, 21, 22, 25, 27, 28, 37, 40, D20/42, 43
CPC G09F 1/00; G09F 1/02; G09F 1/04; G09F 1/06; G09F 1/08; G09F 9/00; G09F 13/00; G09F 2003/0264; G09F 23/06; G06F 3/0481; G06F 3/04817; G06T 13/80; G06T 15/02; H04N 1/00424
See application file for complete search history.

References Cited

U.S. PATENT DOCUMENTS

- 4,001,957 A * 1/1977 de Lima Castro A45C 13/42 292/307 A
D434,452 S * 11/2000 Steiner D20/40

- D454,917 S * 3/2002 Mueller D20/42
D480,760 S * 10/2003 Wieth D20/10
D513,280 S * 12/2005 Kosir D20/44
D531,227 S * 10/2006 Mueller D20/44
D548,796 S * 8/2007 Sachnoff D20/43
D573,656 S * 7/2008 Wamsley D20/43
9,373,273 B2 * 6/2016 Engelby G09F 3/208
D777,841 S * 1/2017 Kott D20/43

(Continued)

OTHER PUBLICATIONS

“Make your mark with fun name tags”. Found online Jan. 5, 2019 at reviewonline.co.za. Page dated Jan. 9, 2018. Retrieved from <https://reviewonline.co.za/245374/make-your-mark-with-fun-name-tags/> (Year: 2018).*

(Continued)

Primary Examiner — Mary Ann Calabrese

(57) **CLAIM**

The ornamental design for a display holder for attachment to garments and accessories, as shown and described.

DESCRIPTION

FIG. 1 is a top perspective view of a display holder for attachment to garments and accessories, showing a label inserted;

FIG. 2 is a top perspective view of a display holder for attachment to garments and accessories showing my new design;

FIG. 3 is a front elevational view thereof;

FIG. 4 is a rear elevational view thereof;

FIG. 5 is a top plan view thereof;

FIG. 6 is a bottom plan view thereof;

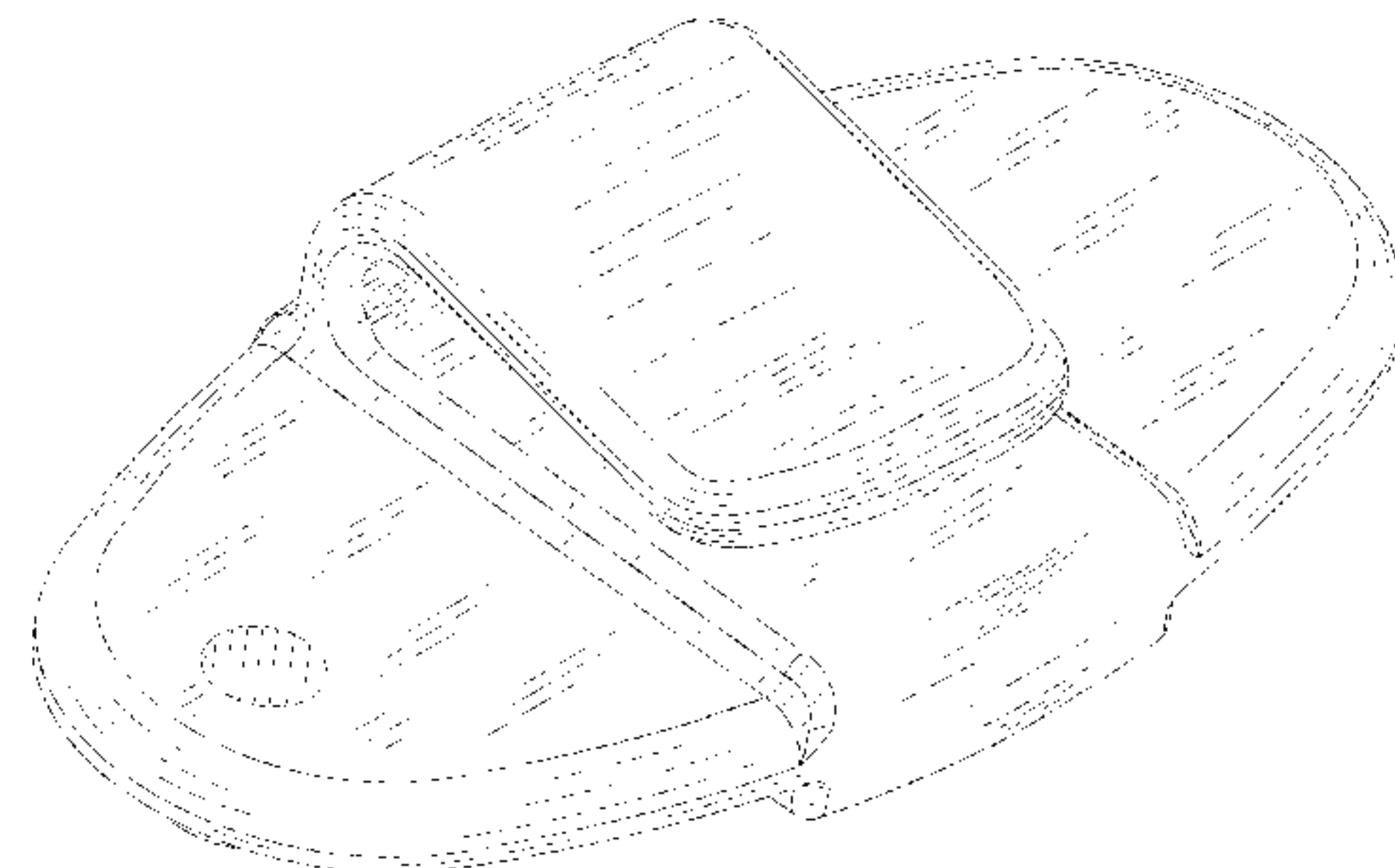
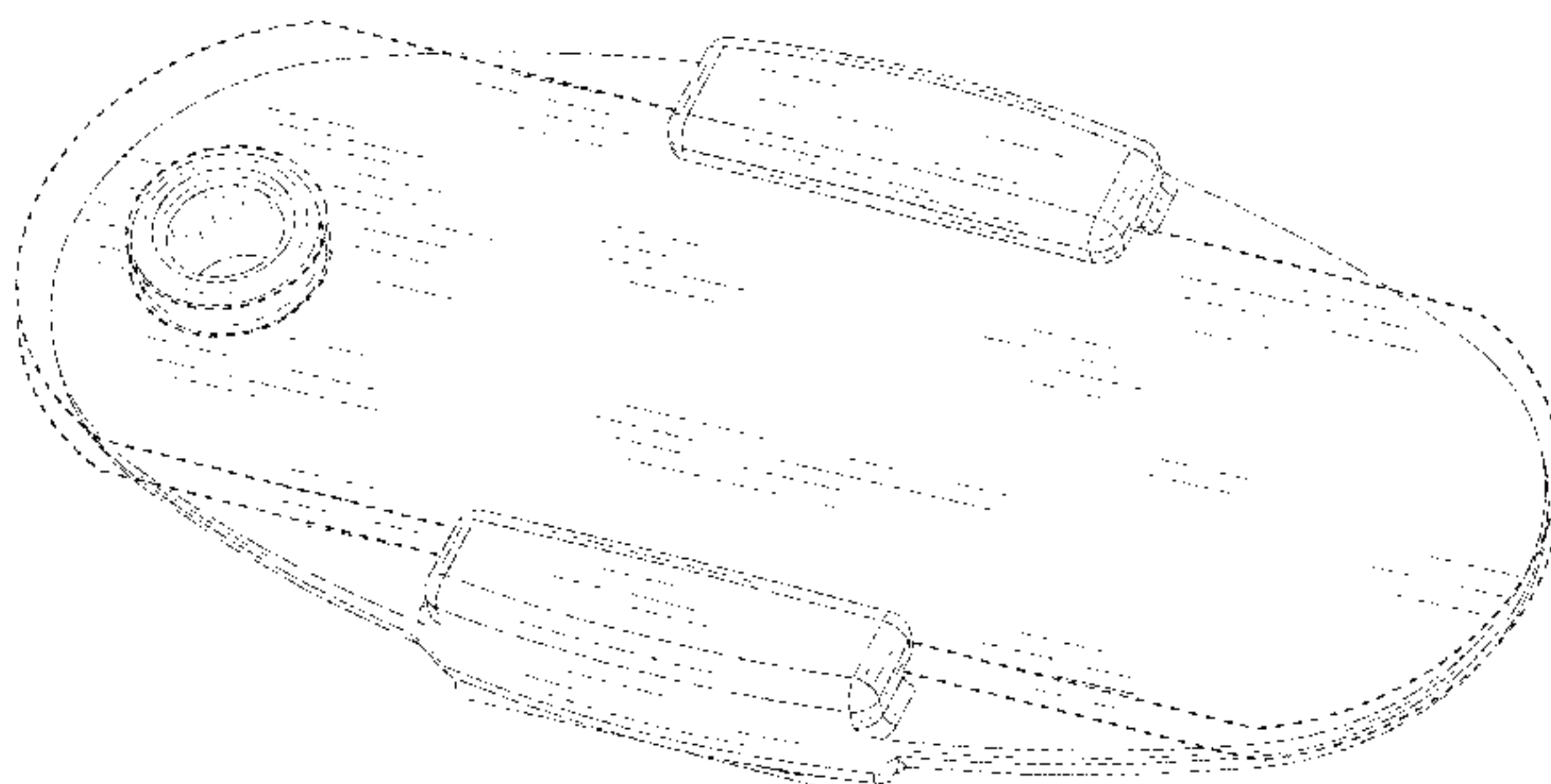
FIG. 7 is a left side elevation view thereof;

FIG. 8 is a right side elevation view thereof; and,

FIG. 9 is a bottom perspective view thereof.

The broken line showing of a label is included for the purpose of illustrating environmental structure and forms no part of the claimed design.

1 Claim, 9 Drawing Sheets



(56)

References Cited

U.S. PATENT DOCUMENTS

D816,980 S * 5/2018 Chang D2/978
D824,658 S * 8/2018 Gabbidon D2/978
2009/0033648 A1* 2/2009 Podd B60Q 1/503
345/211

OTHER PUBLICATIONS

“Waterproof Shoe ID Tag Personalized Impact Acrylic”. Found online Jan. 5, 2019 at amazon.com. Page dated 2019. Retrieved from https://www.amazon.com/Waterproof-Shoe-Personalized-Impact-Acrylic/dp/B076LFXF13/ref=lp_14837167011_1_7?srs=14837167011&ie=UTF8&qid=1546799161&sr=8-7 (Year: 2019).*

“Road ID—The Shoe ID”. Found online Jan. 5, 2019 at bicycletouringpro.com Page dated 2019. Retrieved from <https://bicycletouringpro.com/road-id-the-shoe-id/> (Year: 2019).*

“Vital ID Safety Sport Shoe ID—Red”. Found online Jan. 5, 2019 at amazon.com. Page dated Sep. 5, 2014. Retrieved from https://www.amazon.com/Vital-ID-Safety-Sport-Shoe/dp/B009Z3GSR2/ref=lp_3021912011_1_3?srs=3021912011&ie=UTF8&qid=1546799152&sr=8-3 (Year: 2014).*

* cited by examiner

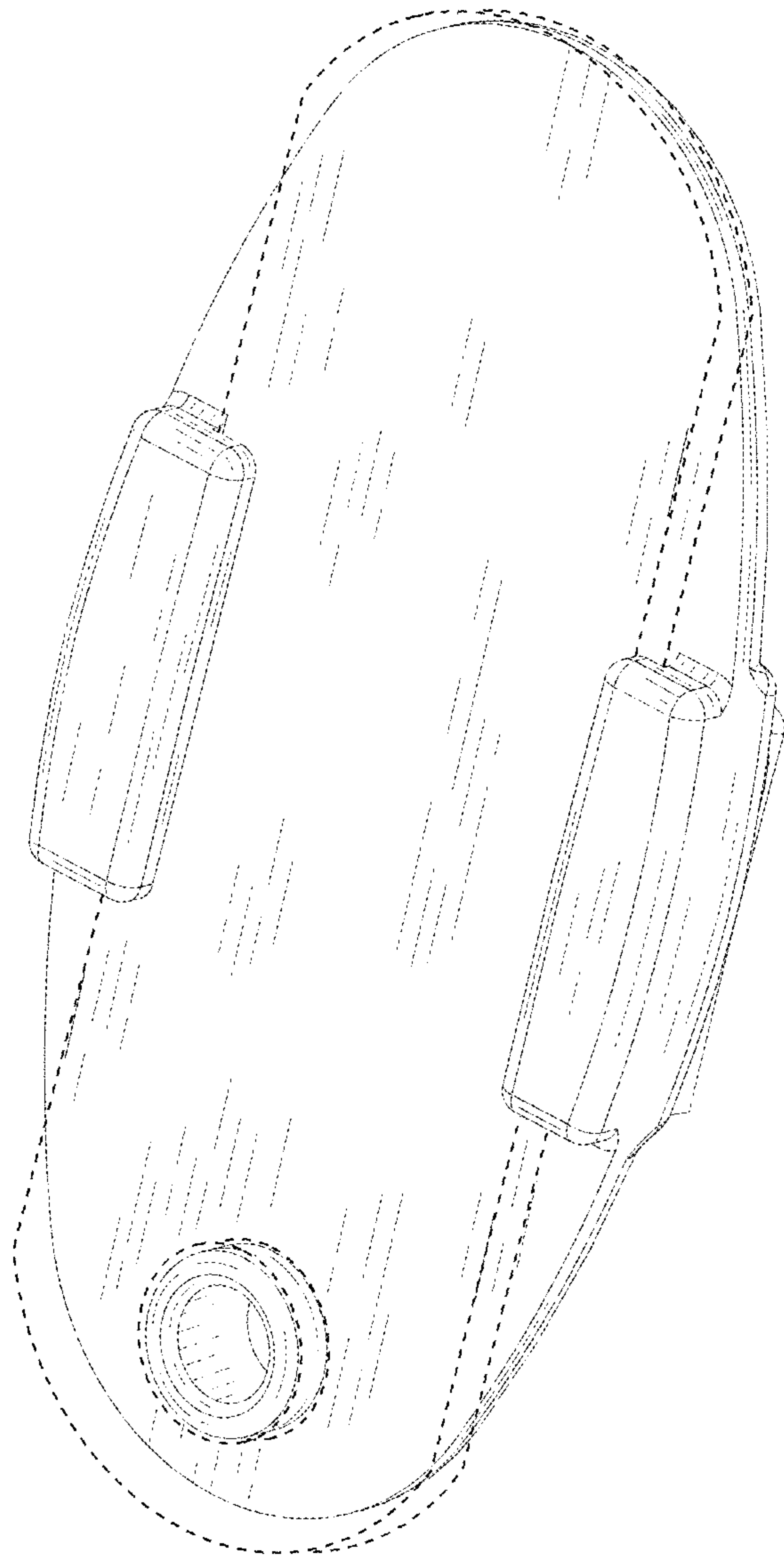


FIG. 1

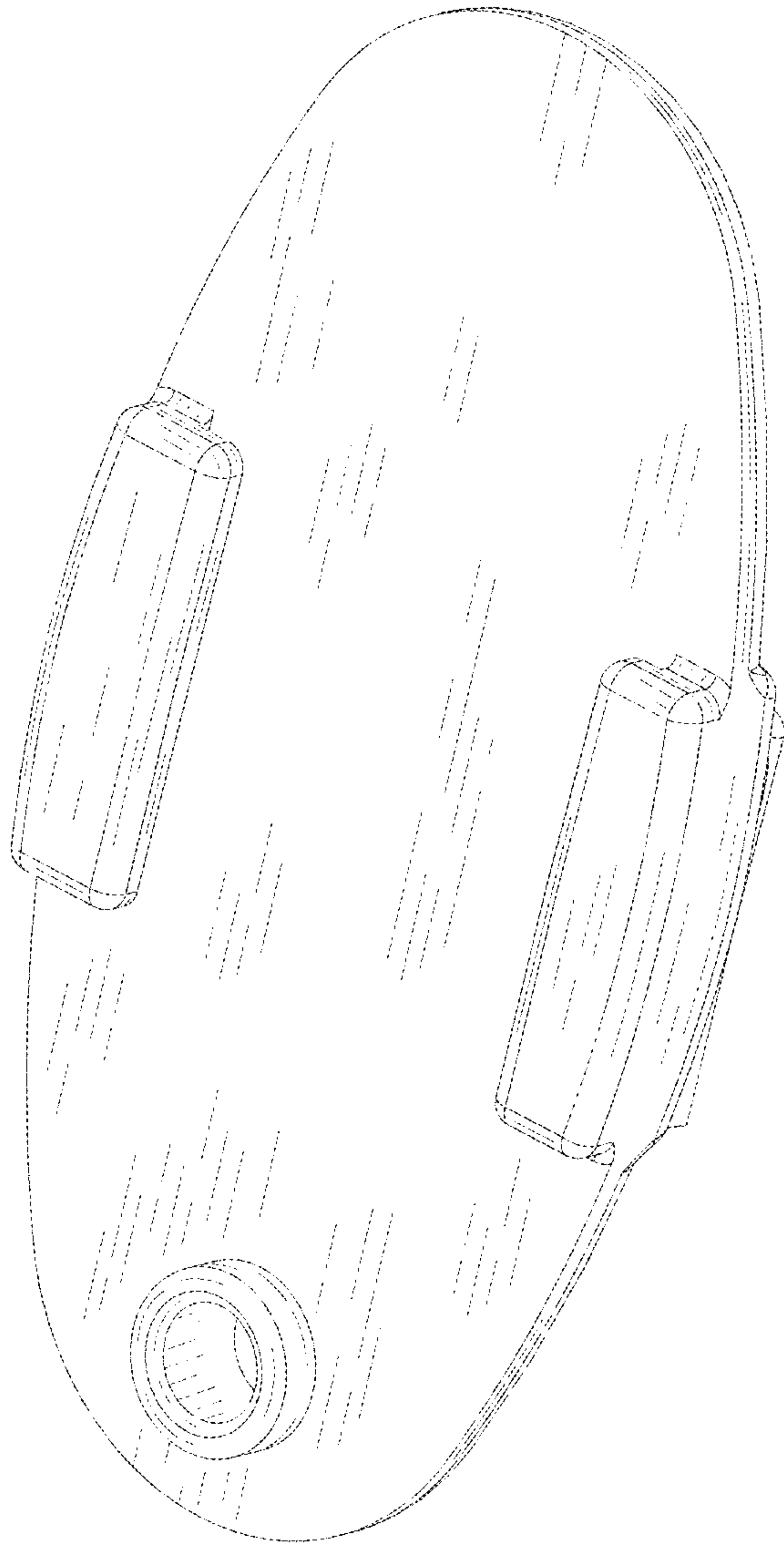


FIG. 2

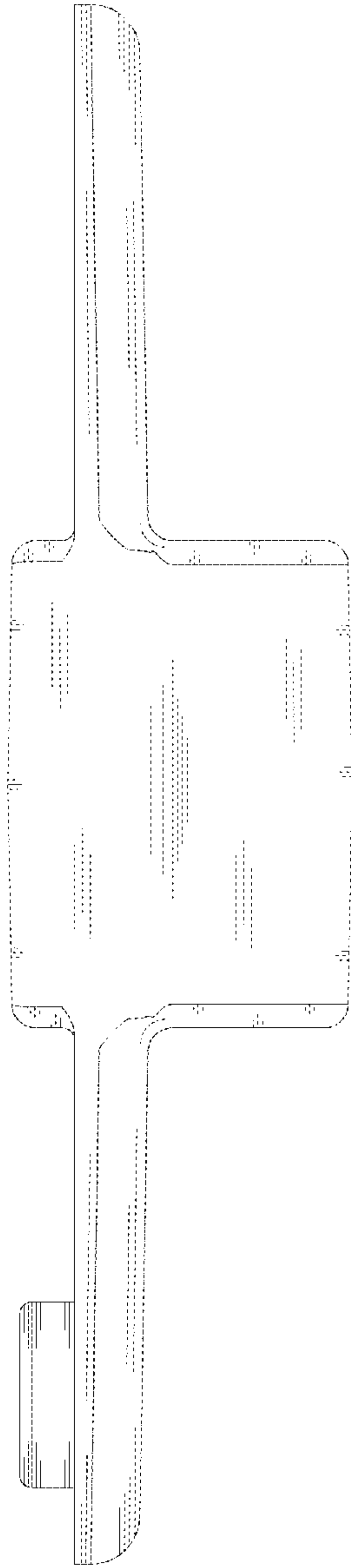


FIG. 3

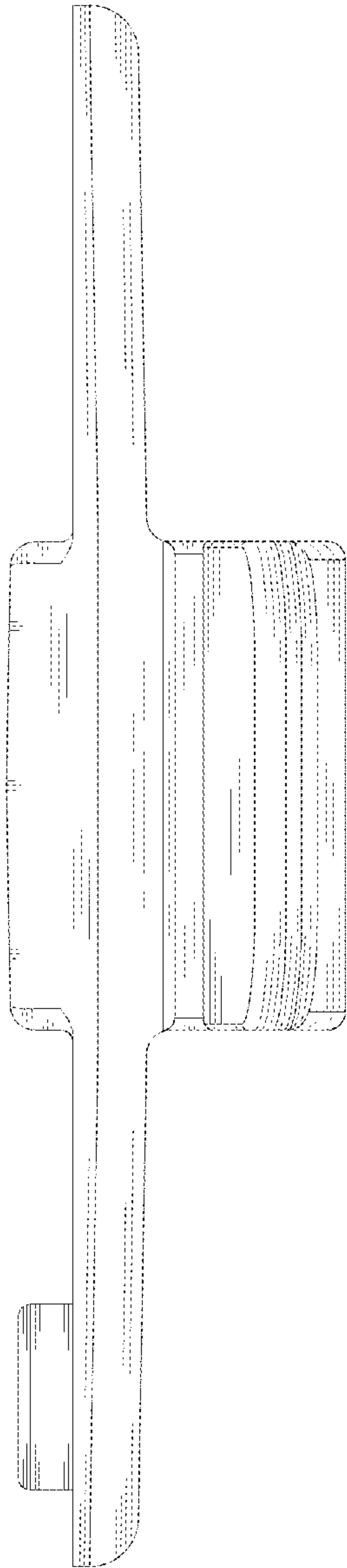


FIG. 4

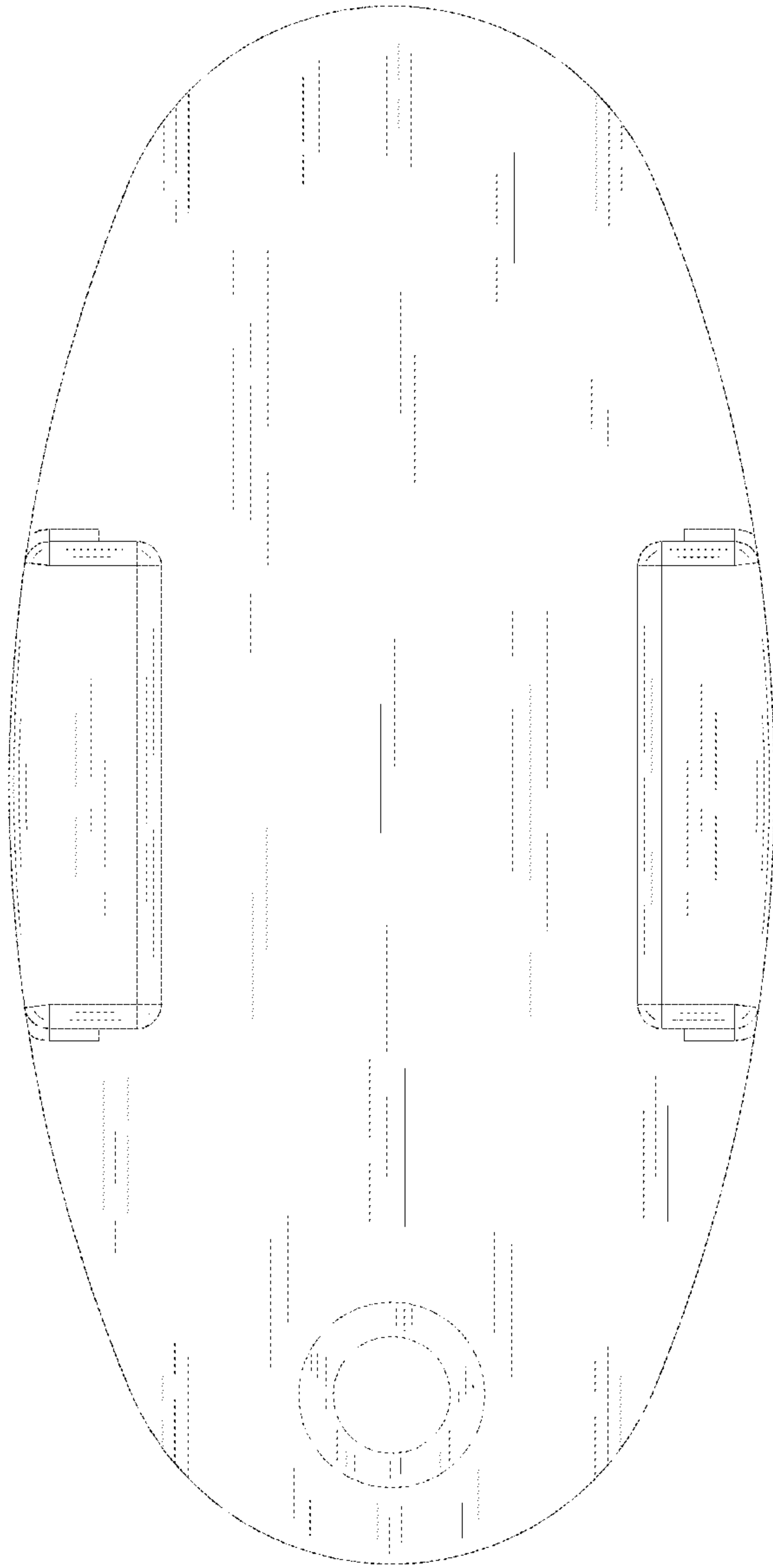


FIG. 5

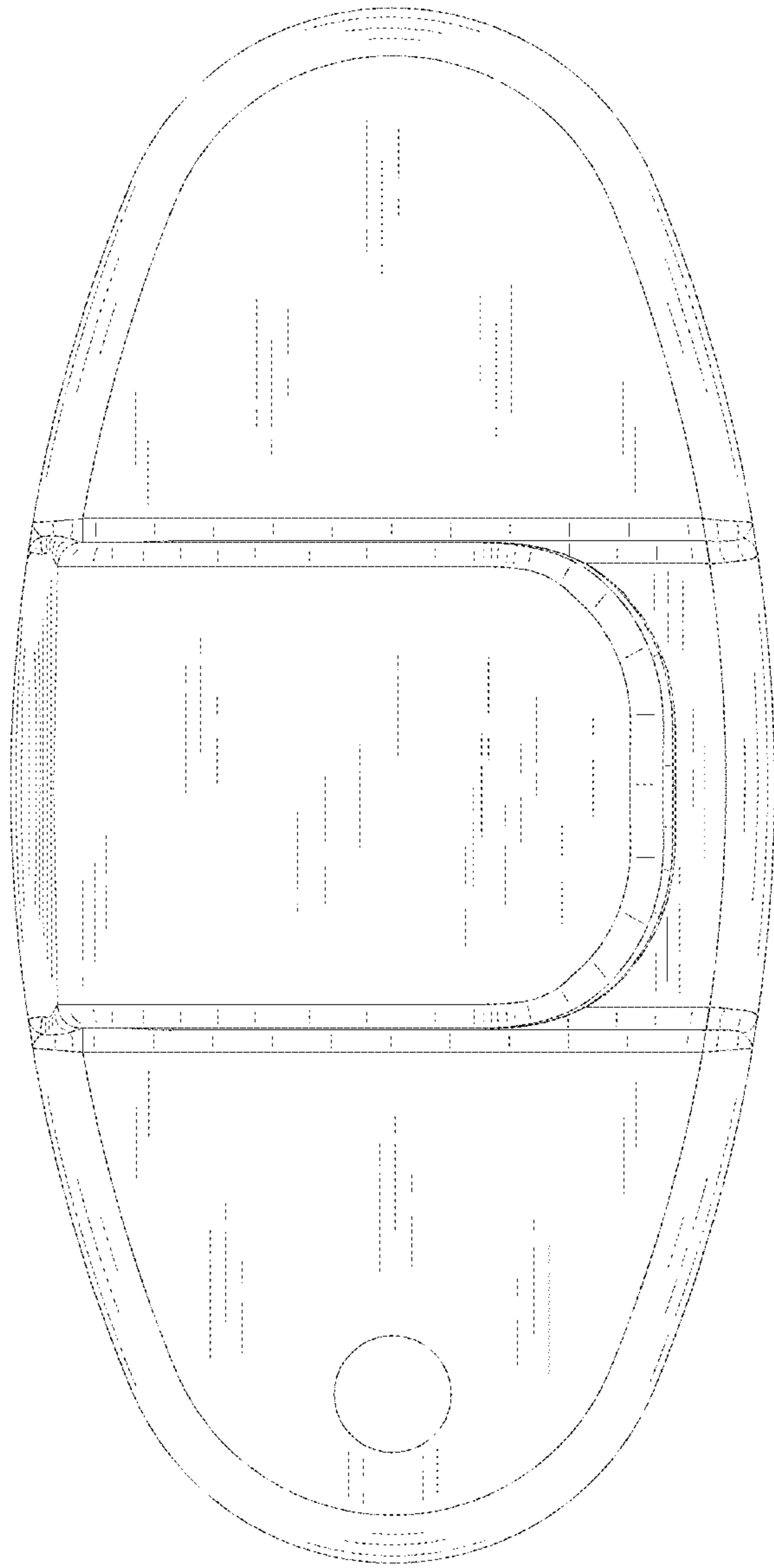


FIG. 6

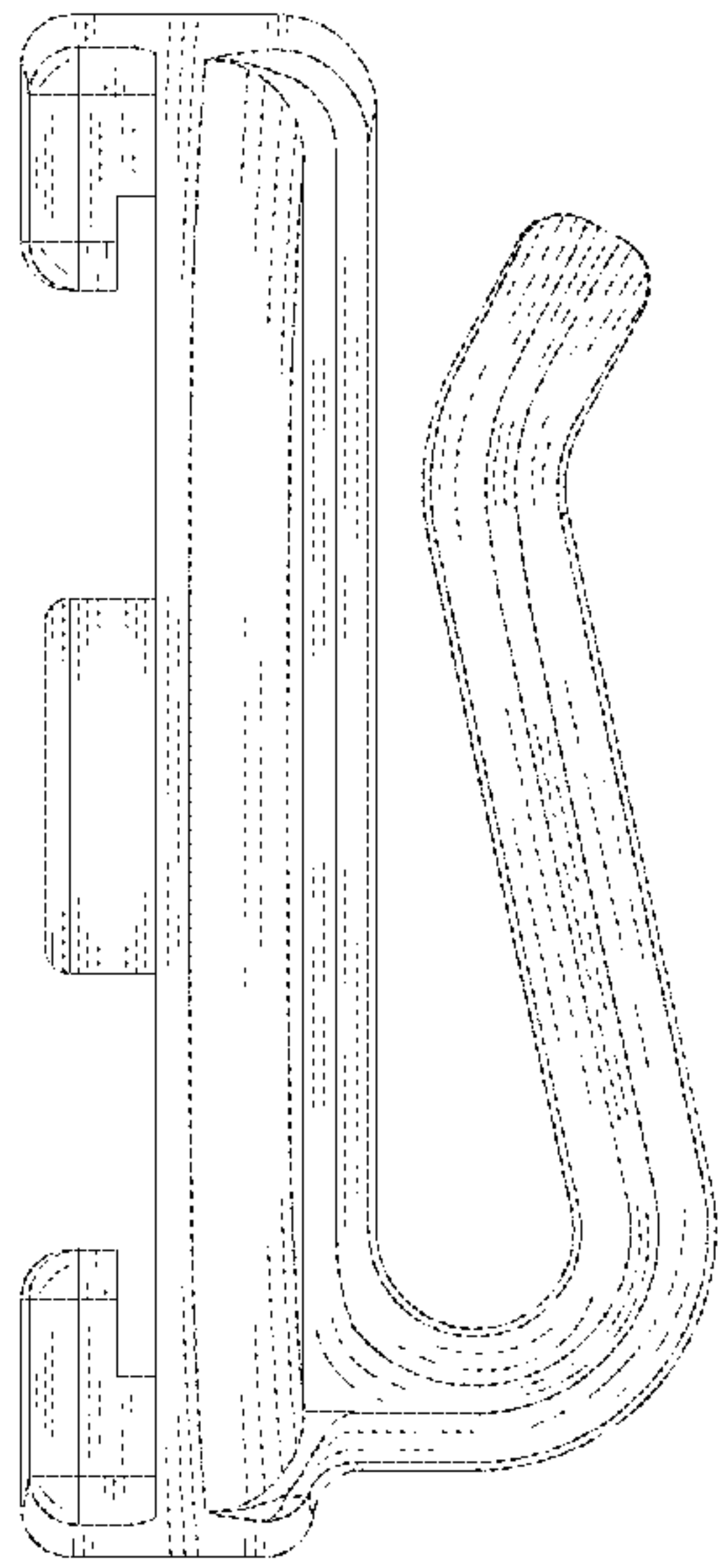


FIG. 7

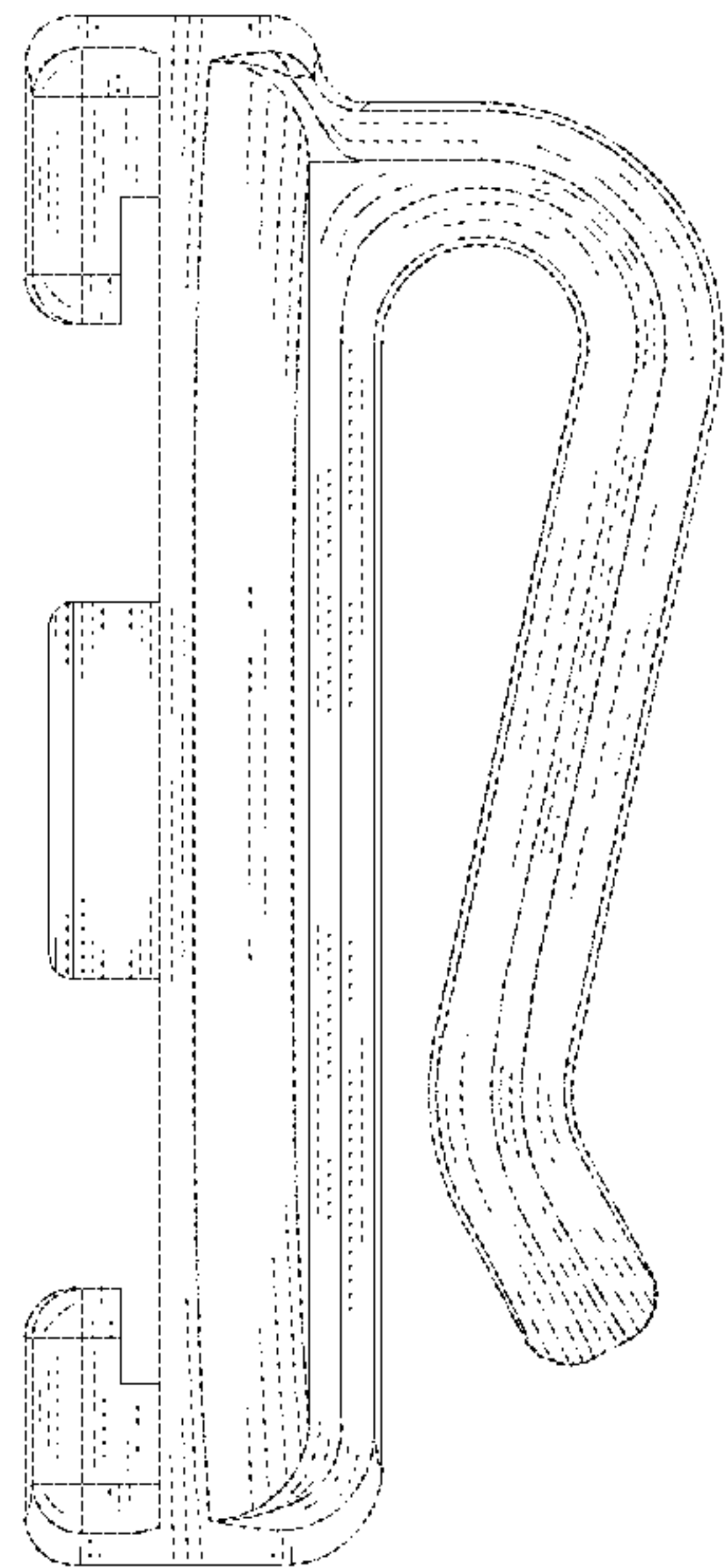


FIG. 8

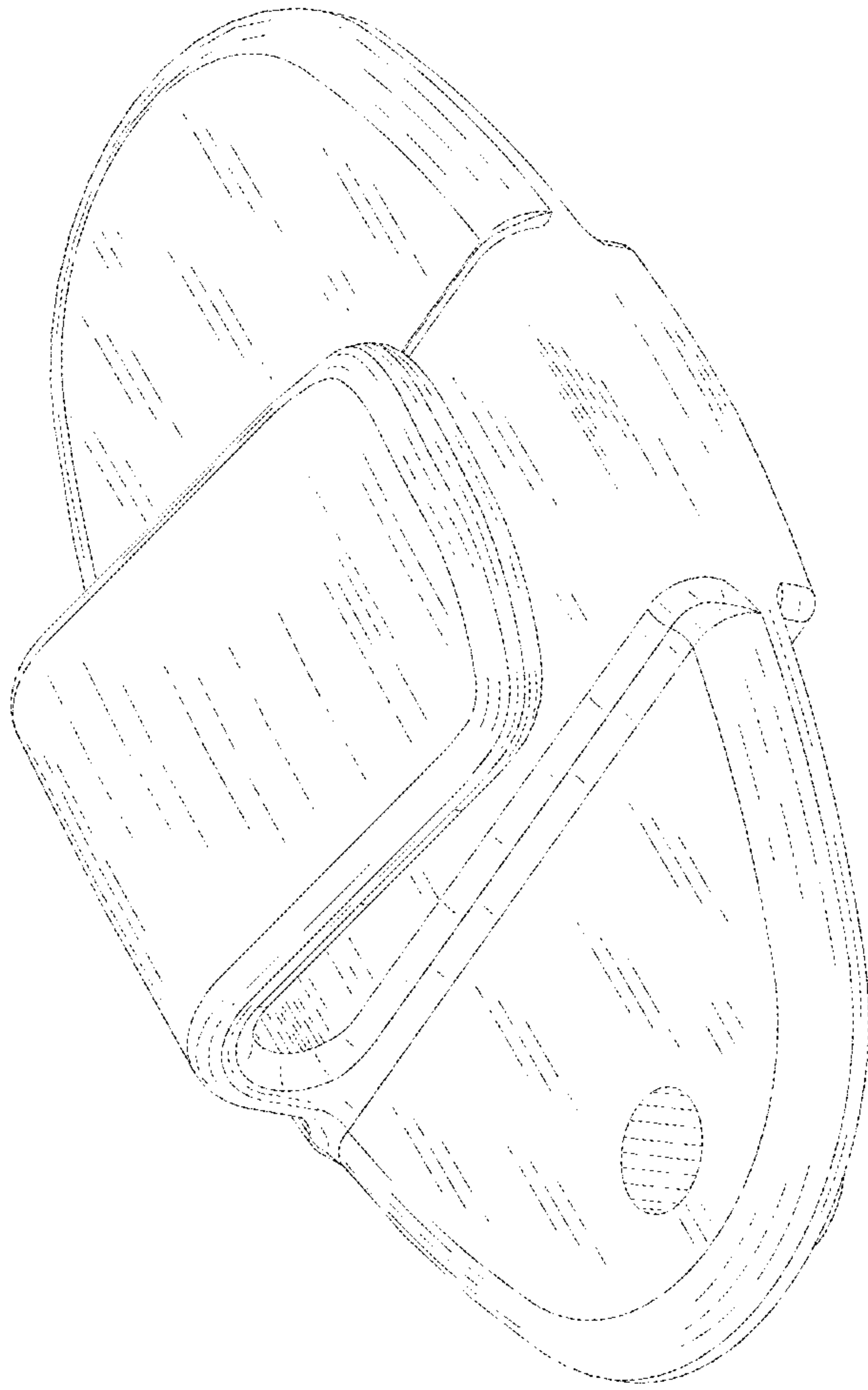


FIG. 9