



US00D859525S

(12) **United States Design Patent** (10) **Patent No.:** **US D859,525 S**
Gulnick (45) **Date of Patent:** **** Sep. 10, 2019**

- (54) **MARKER AND ERASER TRAY**
- (71) Applicant: **James Reid Gulnick**, Mantua, NJ (US)
- (72) Inventor: **James Reid Gulnick**, Mantua, NJ (US)
- (**) Term: **15 Years**
- (21) Appl. No.: **29/626,533**
- (22) Filed: **Nov. 17, 2017**
- (51) **LOC (12) Cl.** **19-06**
- (52) **U.S. Cl.**
USPC **D19/113**
- (58) **Field of Classification Search**
USPC D6/300-314; D19/113, 114; D20/27,
D20/29, 42, 43; D5/59
CPC A47G 1/06; A47G 1/0616; A47G 1/0638;
A47G 2001/0694; B43L 1/00; B43L 1/06;
B43L 5/00; G09F 15/00; G09F 15/02;
G09F 15/0012
See application file for complete search history.

Primary Examiner — Elizabeth A. Albert
(74) *Attorney, Agent, or Firm* — Dunlap Bennett & Ludwig PLLC

(57) **CLAIM**

The ornamental design for a marker and eraser tray, as shown and described.

DESCRIPTION

FIG. 1 is a front perspective view of a marker and eraser tray showing my new design;
 FIG. 2 is a front elevation view of FIG. 1;
 FIG. 3 is a rear elevation view of FIG. 1;
 FIG. 4 is a left side elevation view of FIG. 1, the right side elevation view being a mirror image thereof;
 FIG. 5 is a top plan view of FIG. 1;
 FIG. 6 is a bottom plan view of FIG. 1;
 FIG. 7 is another front perspective view of the marker and eraser tray;
 FIG. 8 is a front elevation view of FIG. 7;
 FIG. 9 is a rear elevation view of FIG. 7;
 FIG. 10 is a left side elevation view of FIG. 7, the right side elevation view being a mirror image thereof;
 FIG. 11 is a top plan view of FIG. 7;
 FIG. 12 is a bottom plan view of FIG. 7;
 FIG. 13 is still another front perspective view of the marker and eraser tray;
 FIG. 14 is a front elevation view of FIG. 13;
 FIG. 15 is a rear elevation view of FIG. 13;
 FIG. 16 is a left side elevation view of FIG. 13, the right side elevation view being a mirror image thereof;
 FIG. 17 is a top plan view of FIG. 13; and,
 FIG. 18 is a bottom plan view of FIG. 13.
 The broken away symbols in the drawings indicate the appearance of any portion of the article between the break lines forms no part of the claimed design.

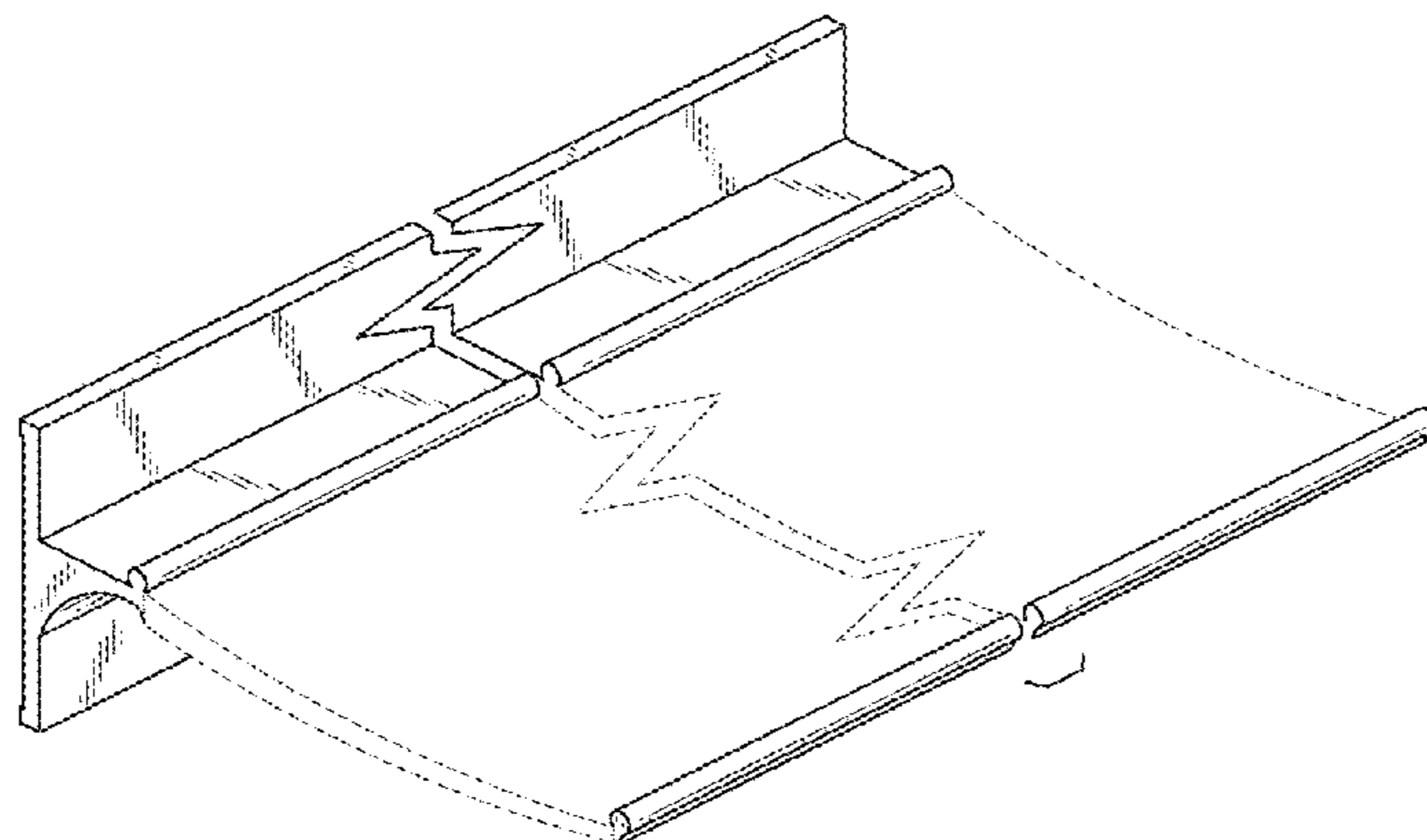
(56) **References Cited**

U.S. PATENT DOCUMENTS

2,469,347	A *	5/1949	Windhorst	A47B 97/04 434/417
2,872,744	A *	2/1959	Dallen	B43L 1/06 434/417
3,363,341	A *	1/1968	Glassman	B43L 1/06 211/90.01
4,437,839	A *	3/1984	Stempel	B43L 1/06 108/134
4,731,960	A *	3/1988	Sease	B44C 7/022 160/392
4,828,502	A *	5/1989	Leahy	B43L 1/06 434/416
4,944,416	A *	7/1990	Petersen	A47F 5/0846 211/87.01
5,176,522	A *	1/1993	Robertson, Jr.	B43L 1/00 434/408
5,301,477	A *	4/1994	Rellinger	A47B 97/001 248/220.21

(Continued)

1 Claim, 9 Drawing Sheets



(56)

References Cited

U.S. PATENT DOCUMENTS

5,397,091 A * 3/1995 Tsuar B43L 1/04
 16/374
 5,743,414 A * 4/1998 Baudino B43K 23/001
 211/69.1
 D401,279 S * 11/1998 Thorp D19/114
 D413,146 S * 8/1999 Moore D19/113
 5,941,713 A * 8/1999 Wayner B43L 1/06
 248/441.1
 6,139,331 A * 10/2000 Owen B43L 1/00
 434/408
 D435,593 S * 12/2000 Hellwig D19/113
 D436,128 S * 1/2001 Keglmaier D19/113
 6,203,878 B1 * 3/2001 Davis A47B 97/04
 224/270
 D467,818 S * 12/2002 Chan D10/25
 D594,510 S * 6/2009 Sappington D20/10
 7,604,481 B2 * 10/2009 Owen A47B 97/001
 434/408
 7,632,103 B2 * 12/2009 Williams B43L 1/06
 434/408
 D627,394 S * 11/2010 Nakayama D19/114
 D627,824 S * 11/2010 Nakayama D19/113
 D671,170 S * 11/2012 Udagawa D19/114
 D683,403 S * 5/2013 Vasconcelos D19/113
 D705,356 S * 5/2014 Kang D19/113

* cited by examiner

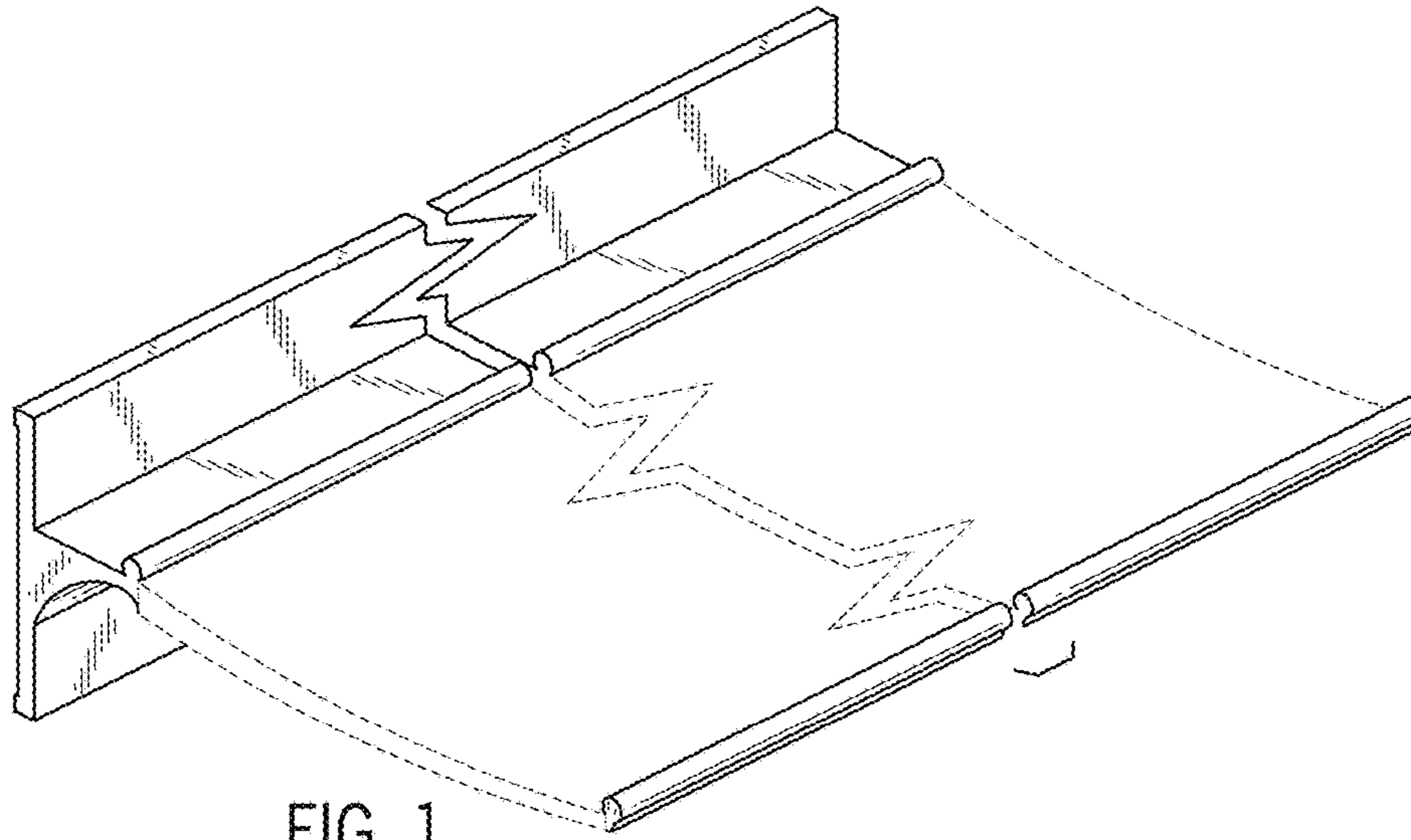


FIG. 1

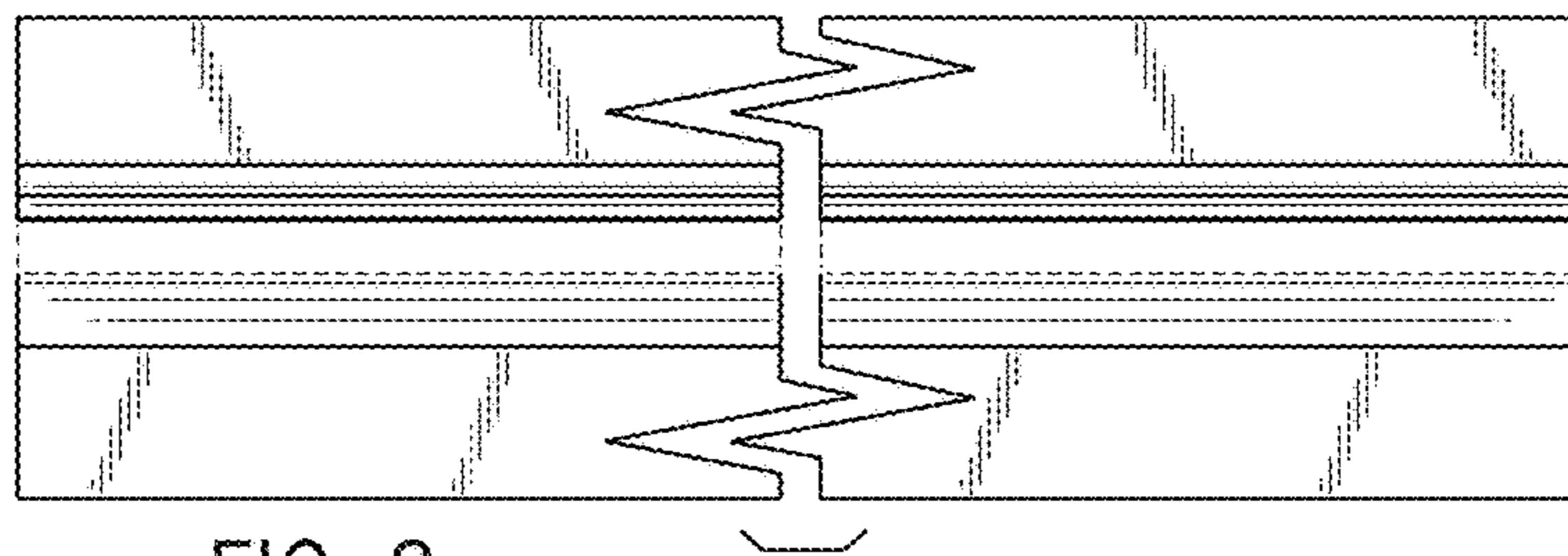


FIG. 2

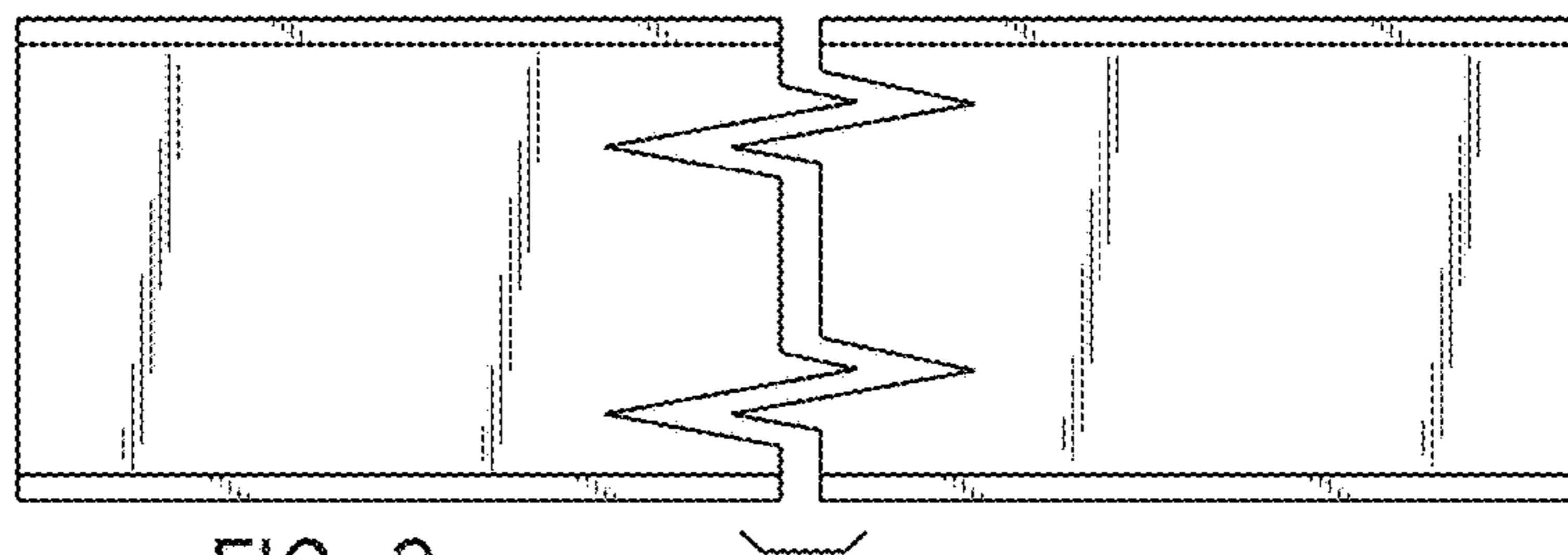


FIG. 3

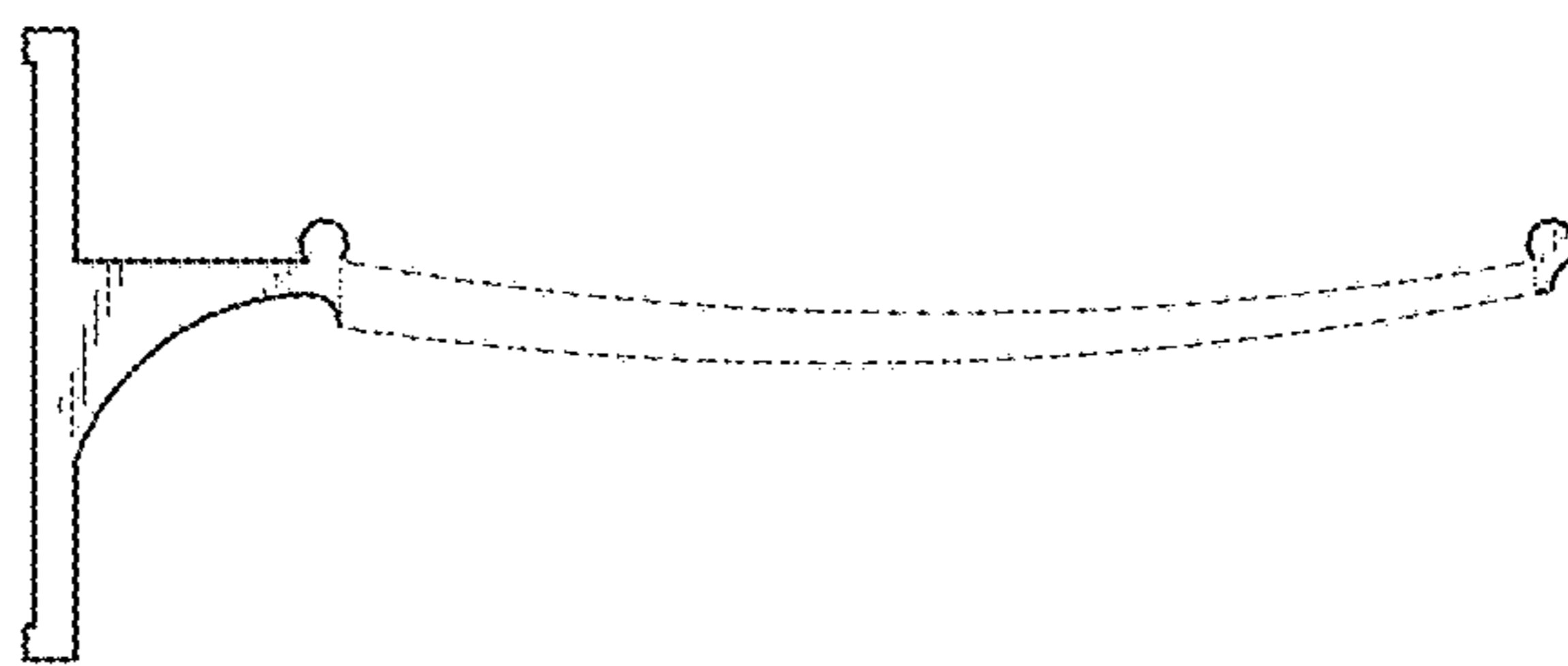


FIG. 4

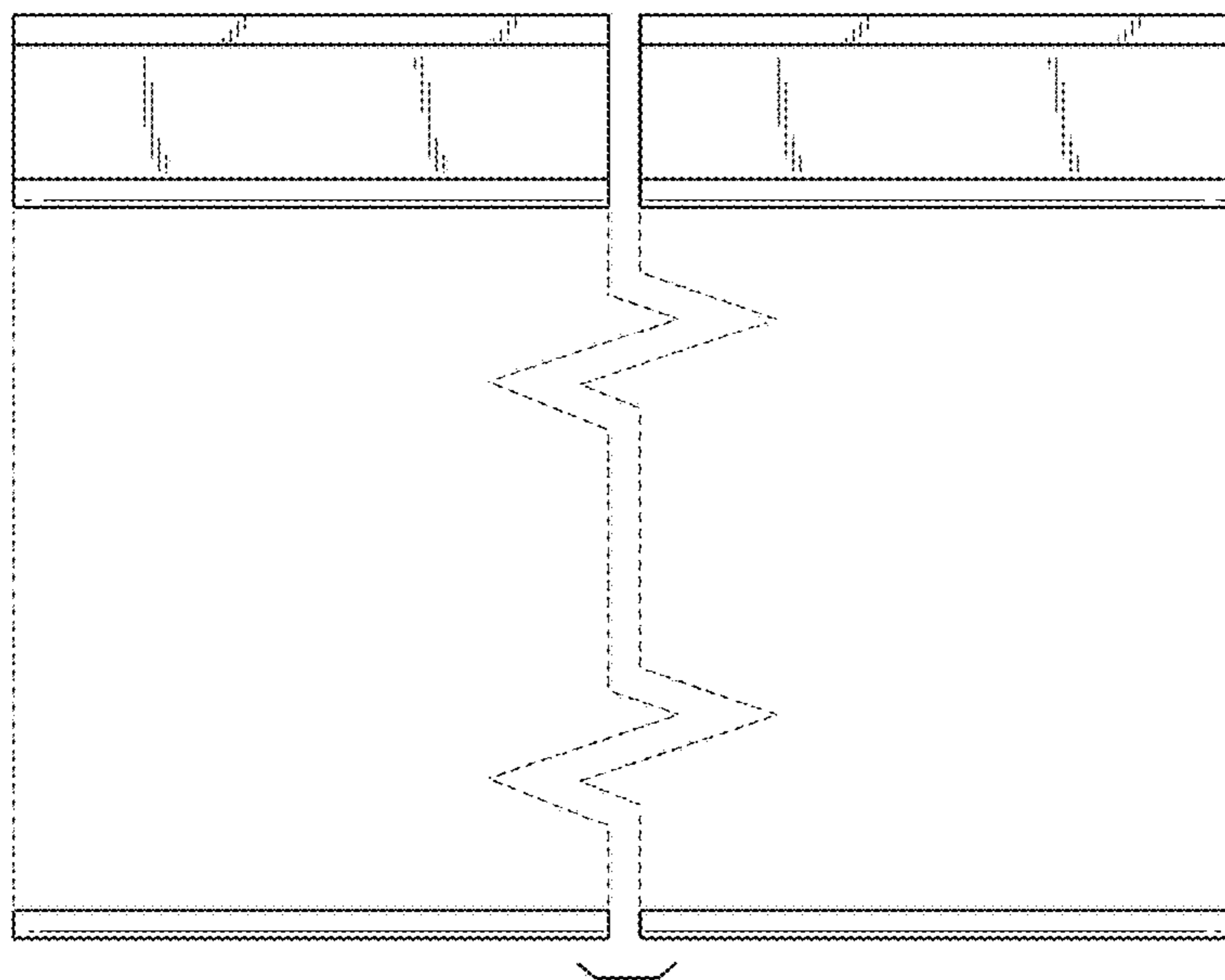


FIG. 5

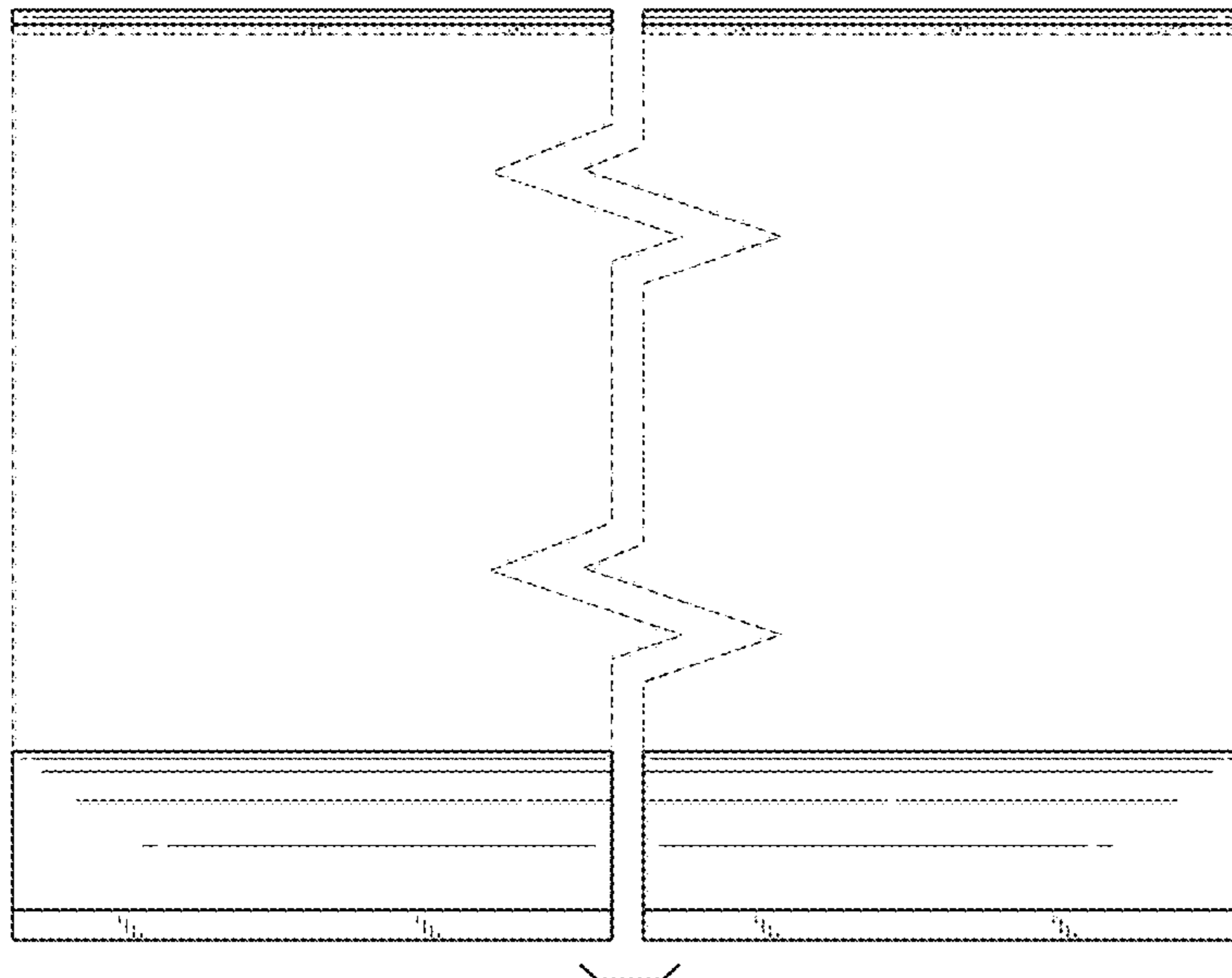


FIG. 6

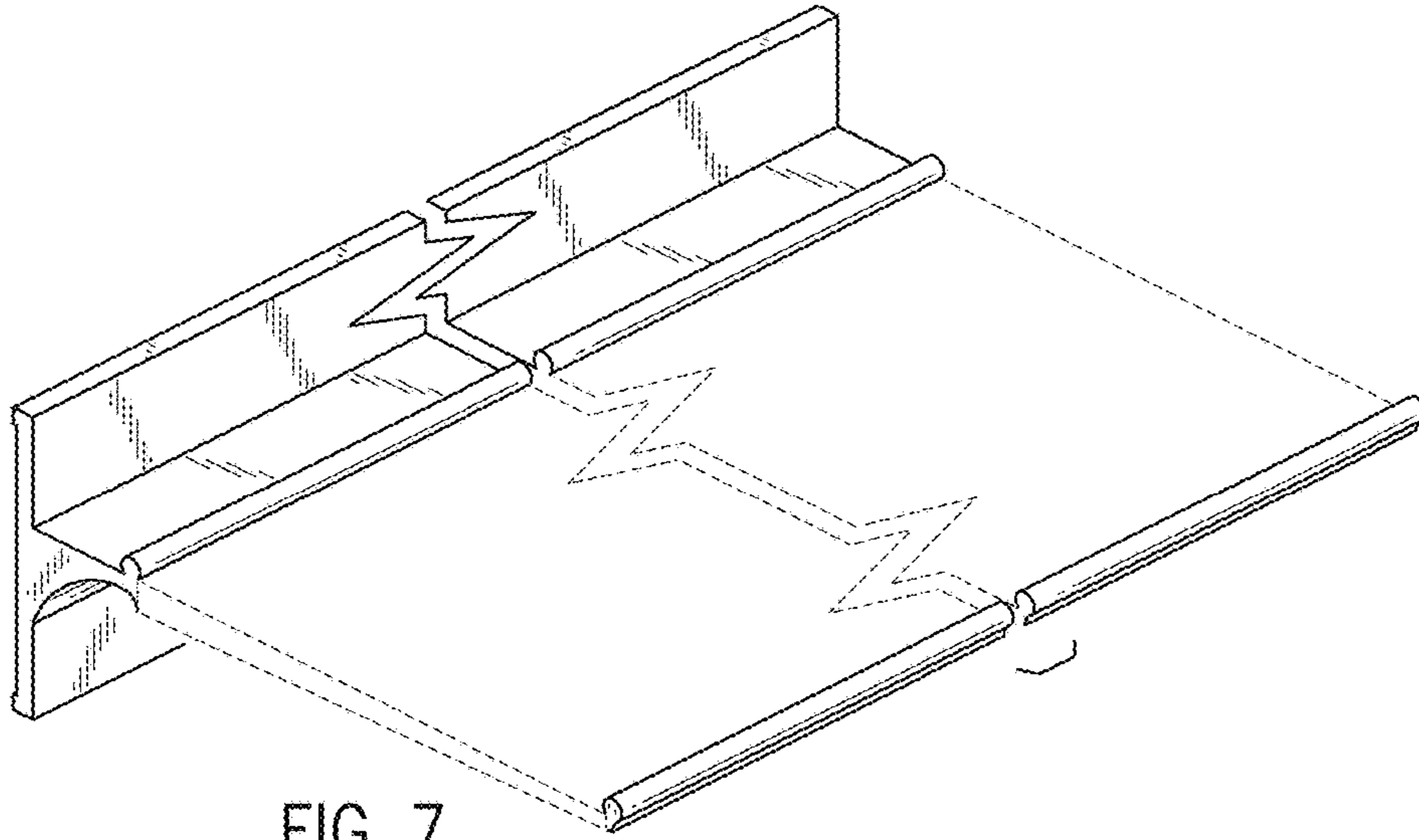


FIG. 7

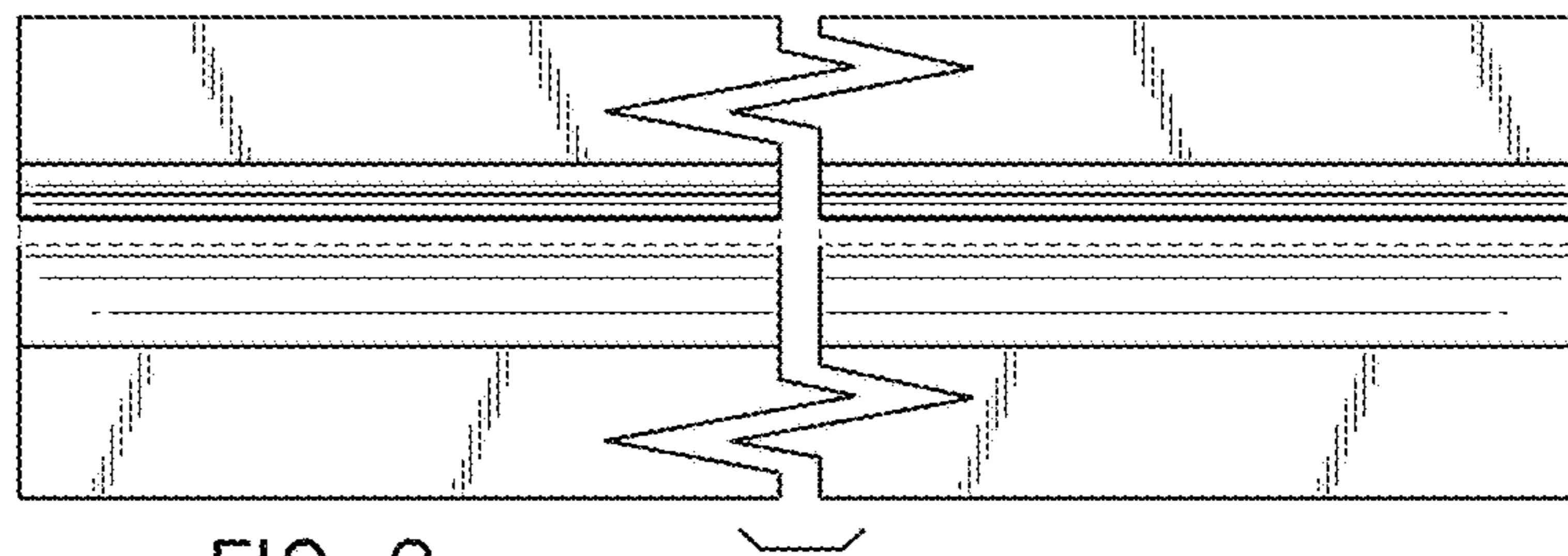


FIG. 8

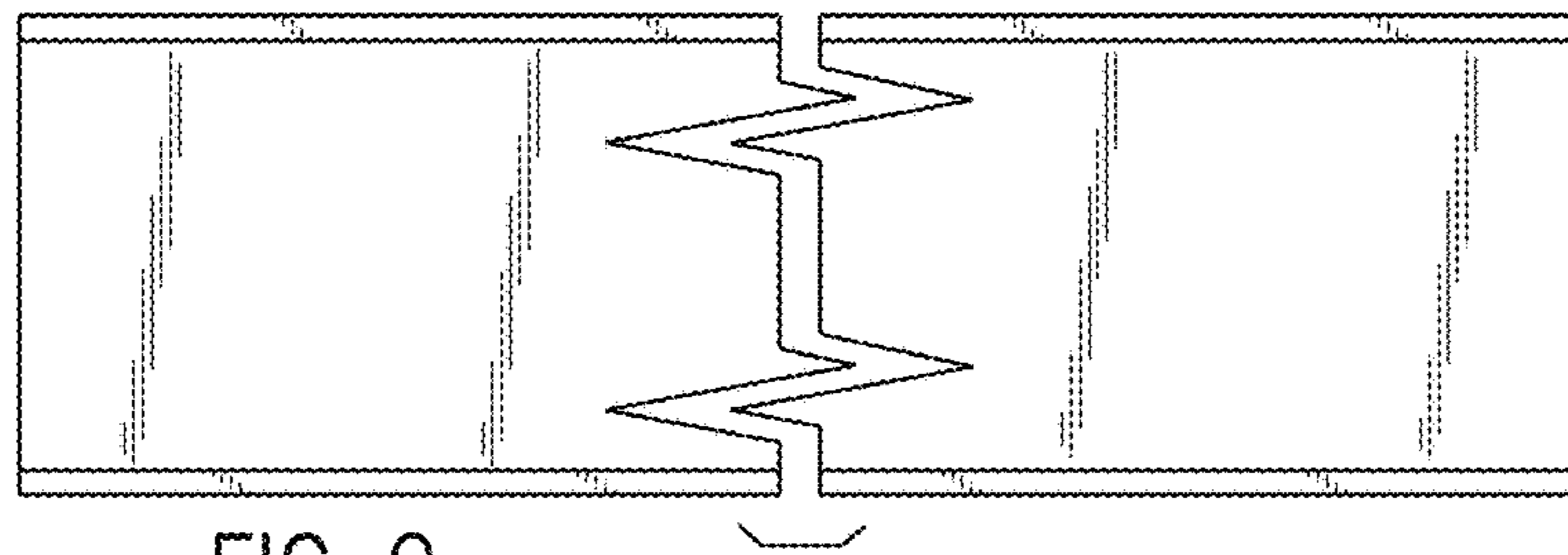


FIG. 9

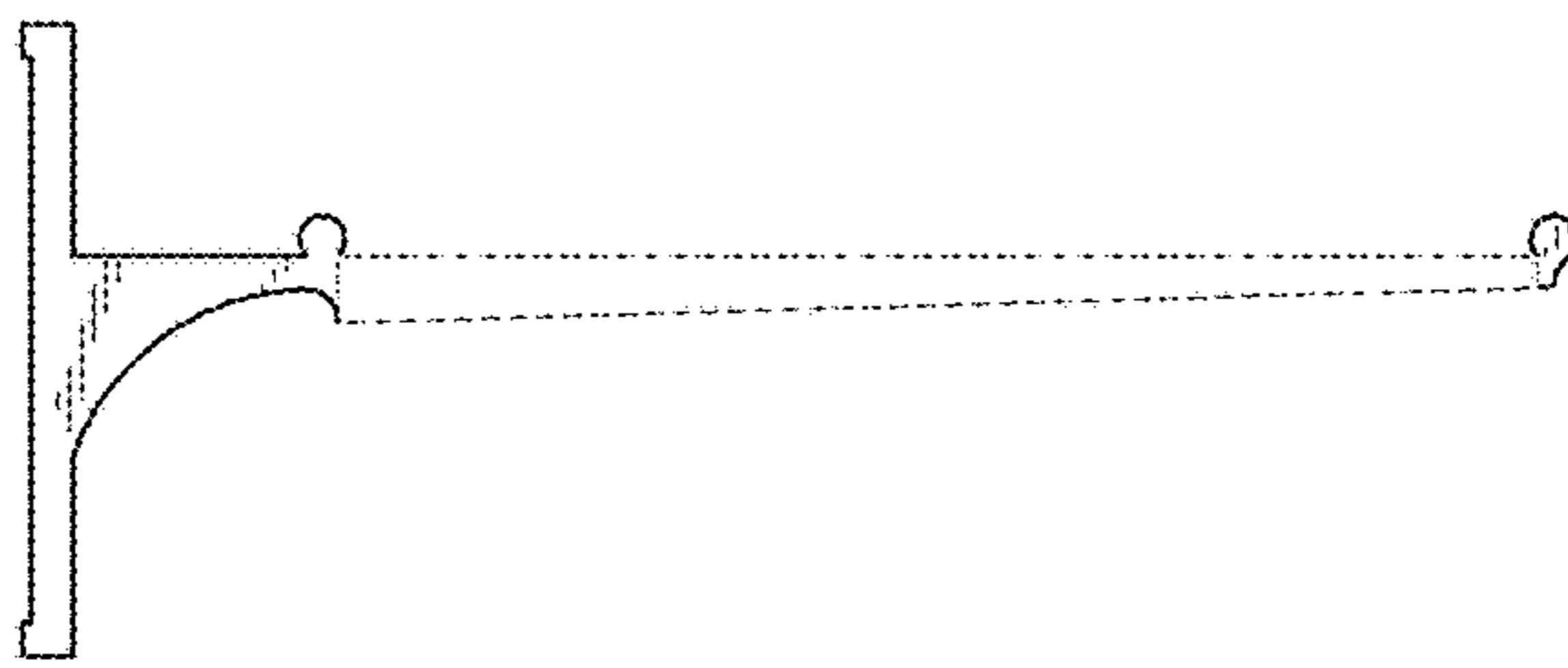


FIG. 10

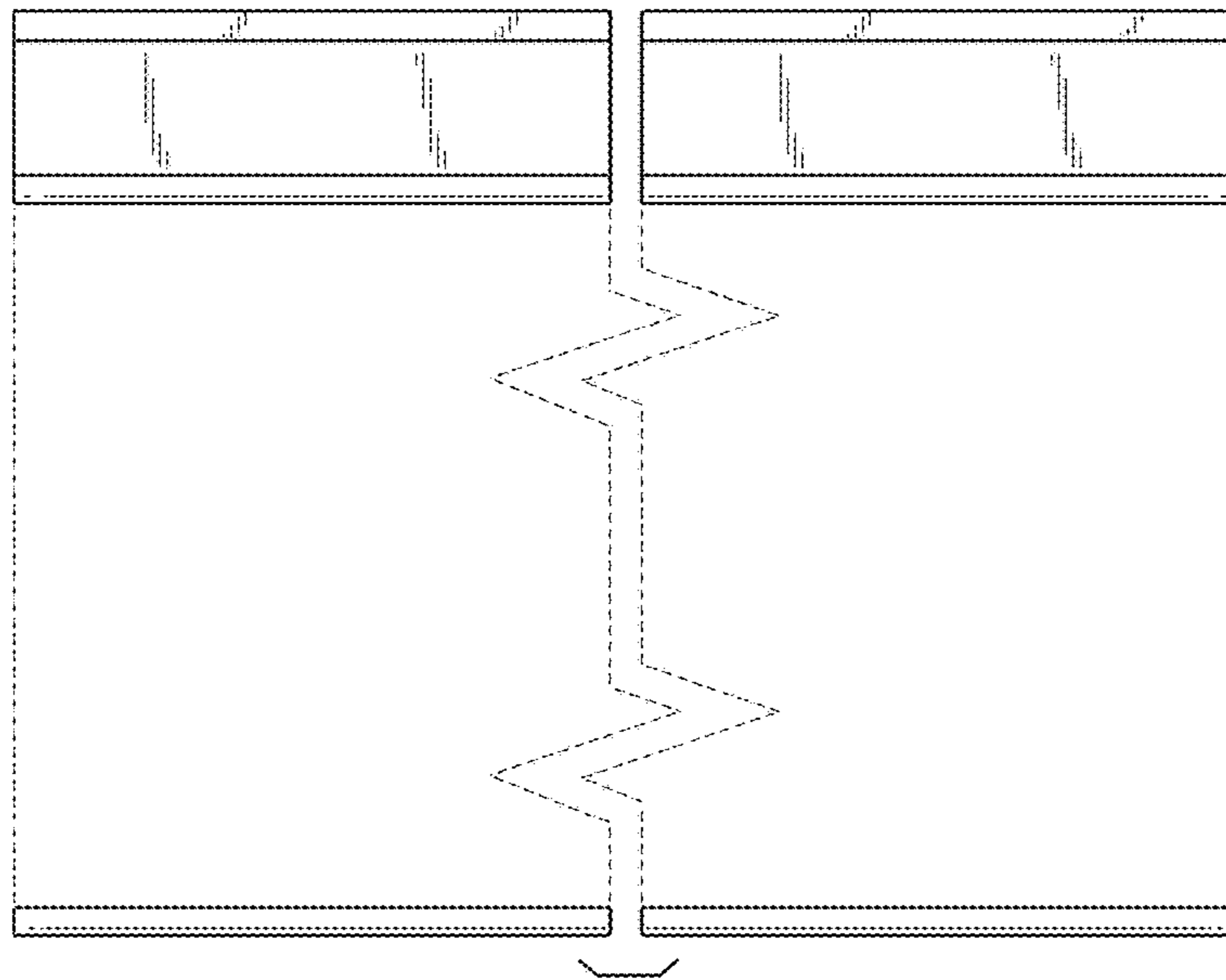


FIG. 11

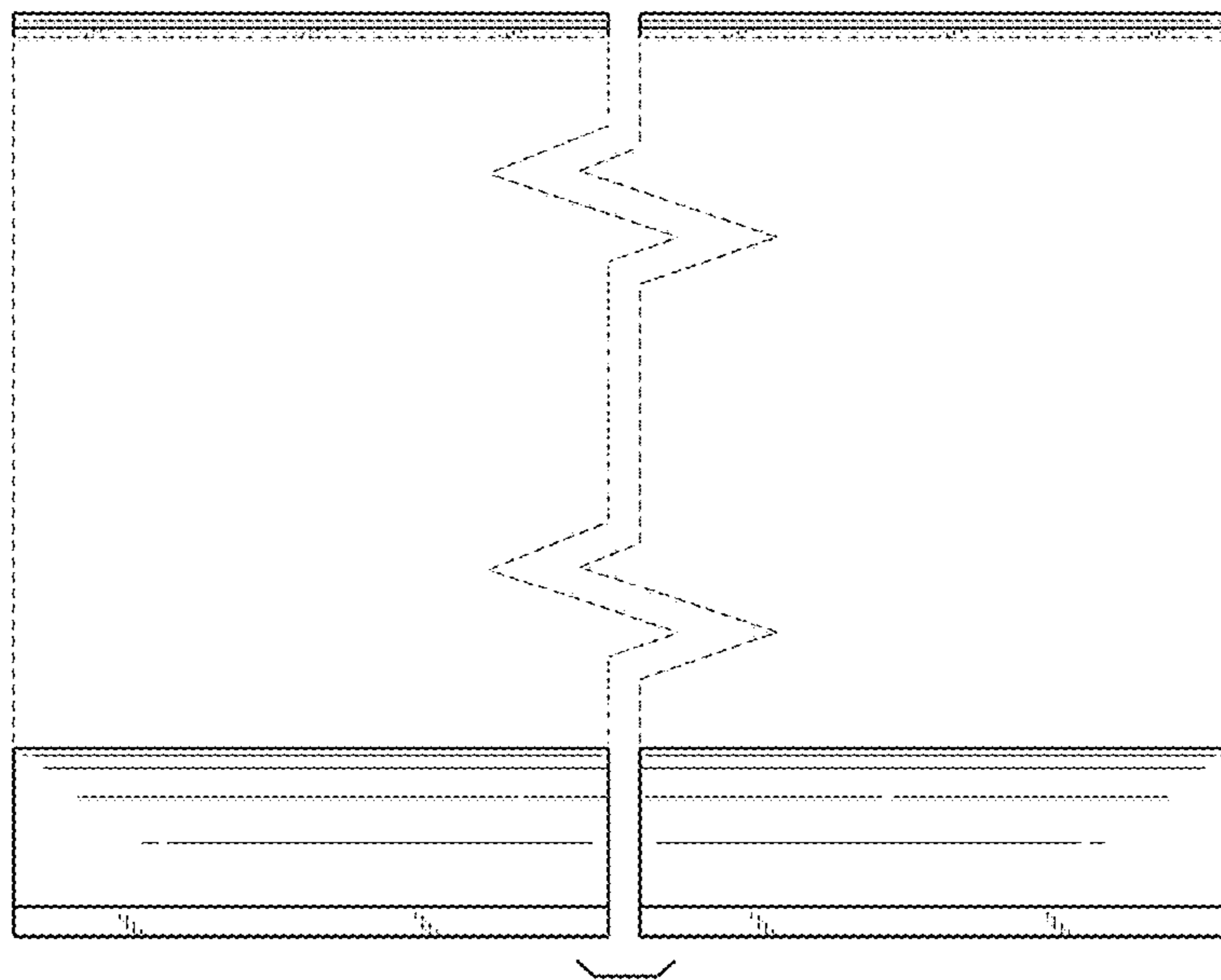


FIG. 12

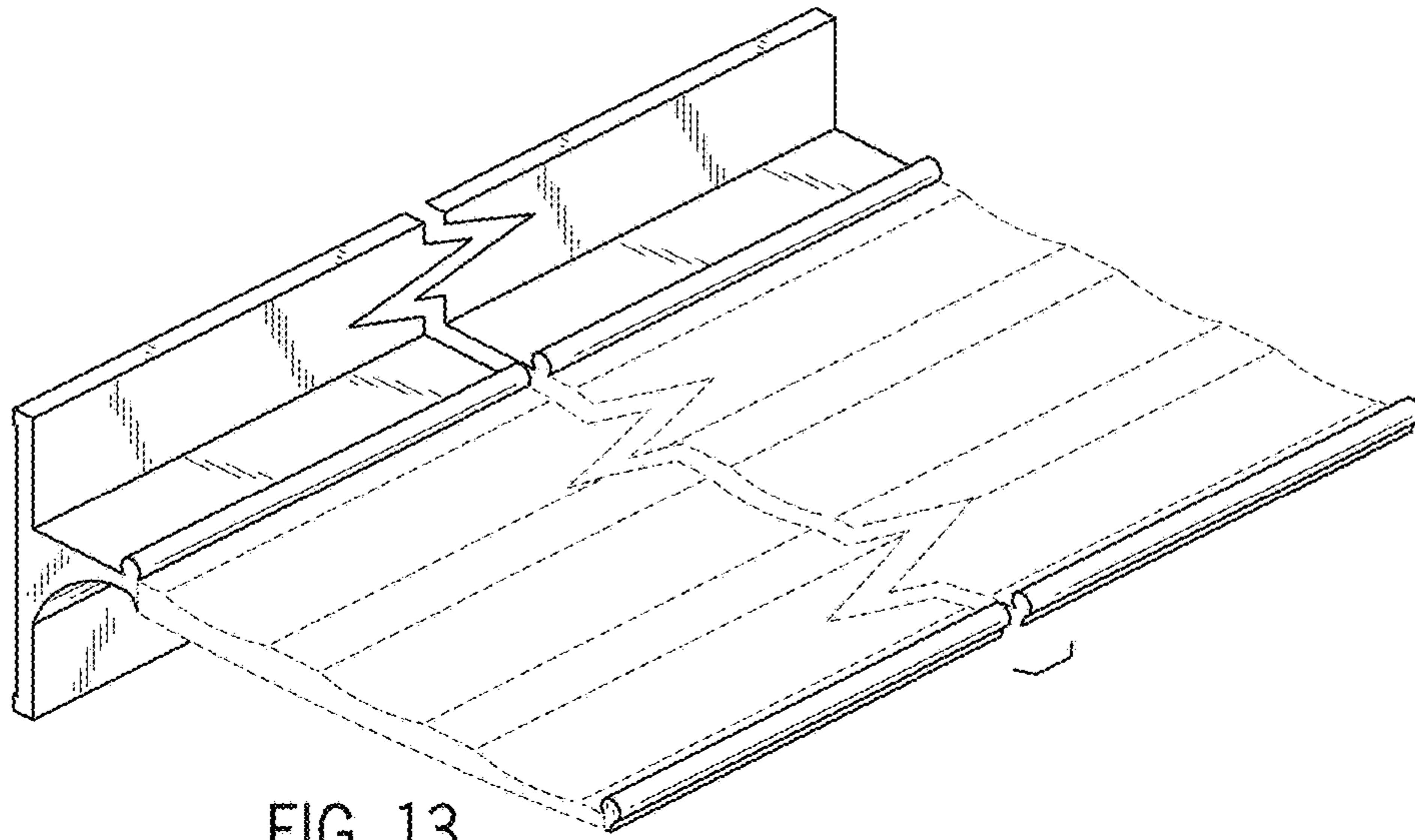


FIG. 13

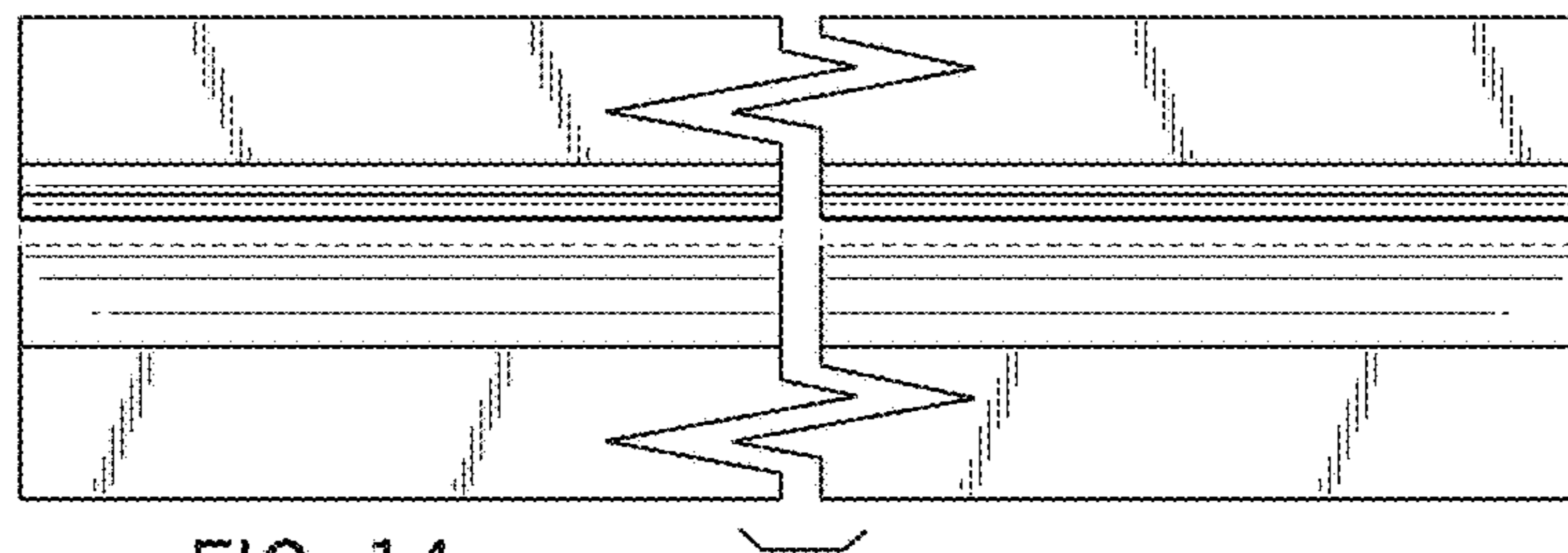


FIG. 14

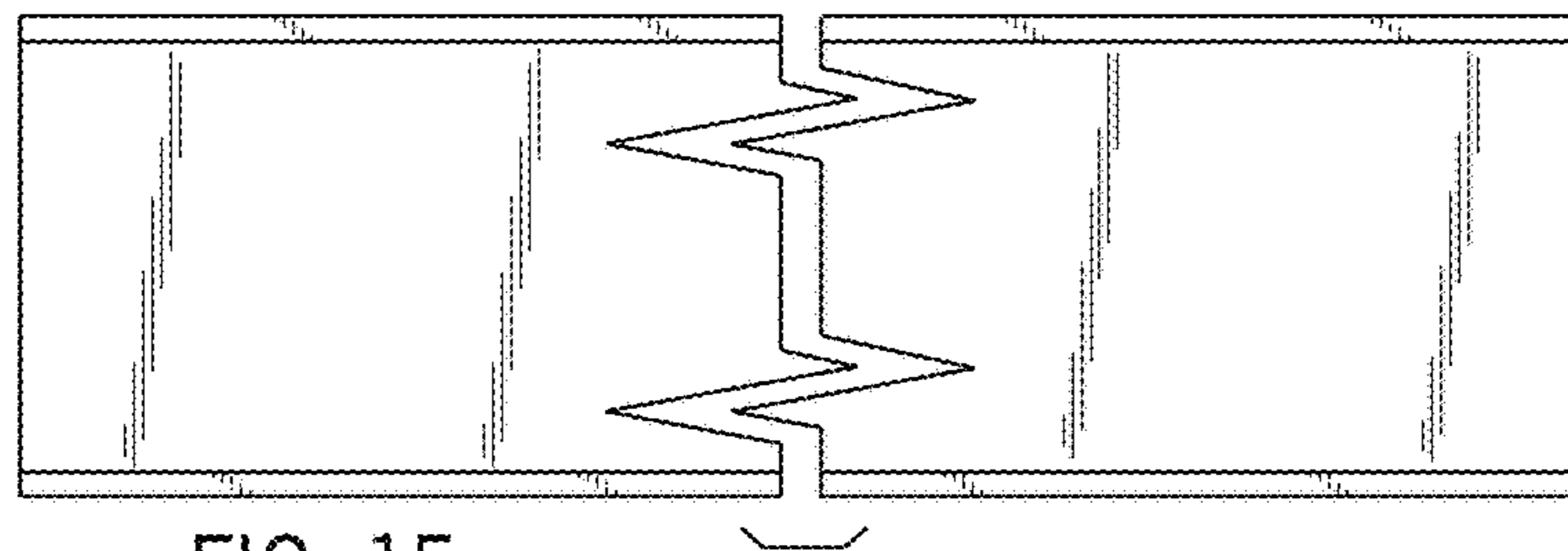


FIG. 15

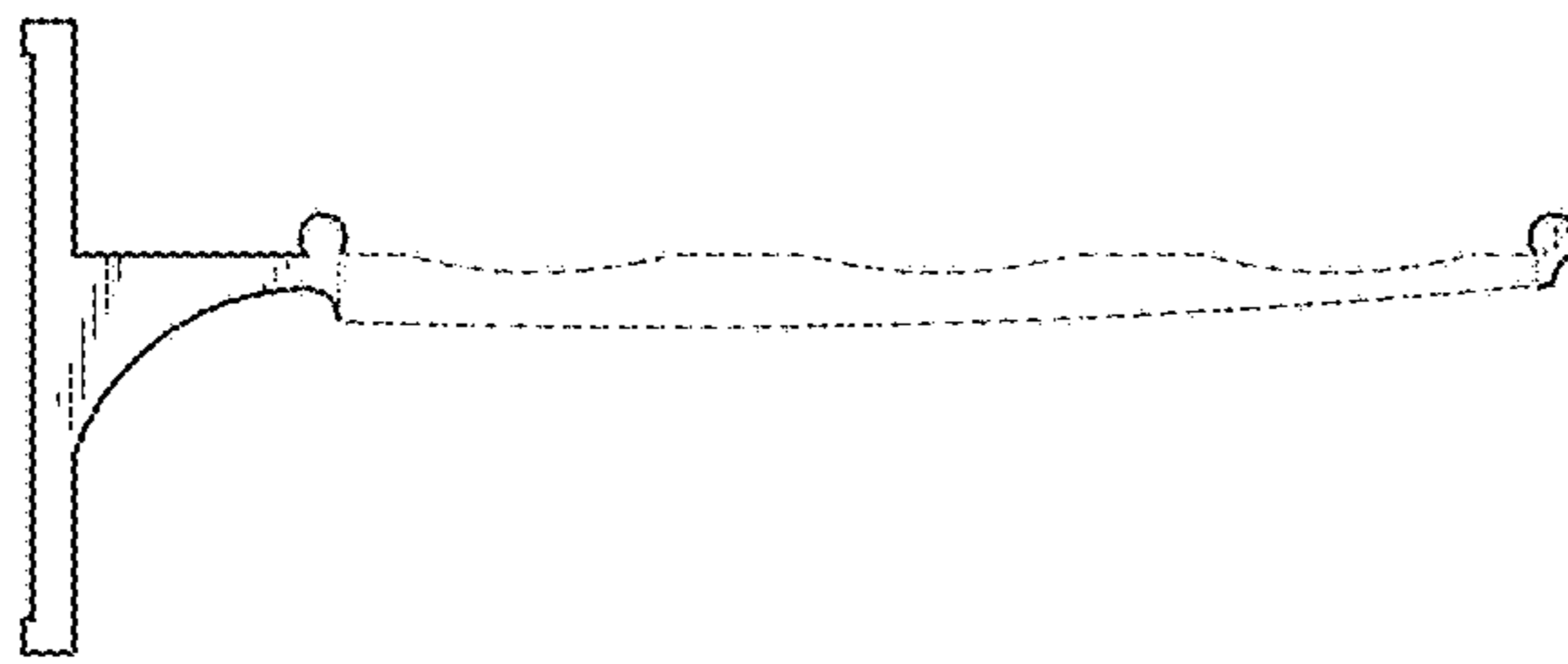


FIG. 16

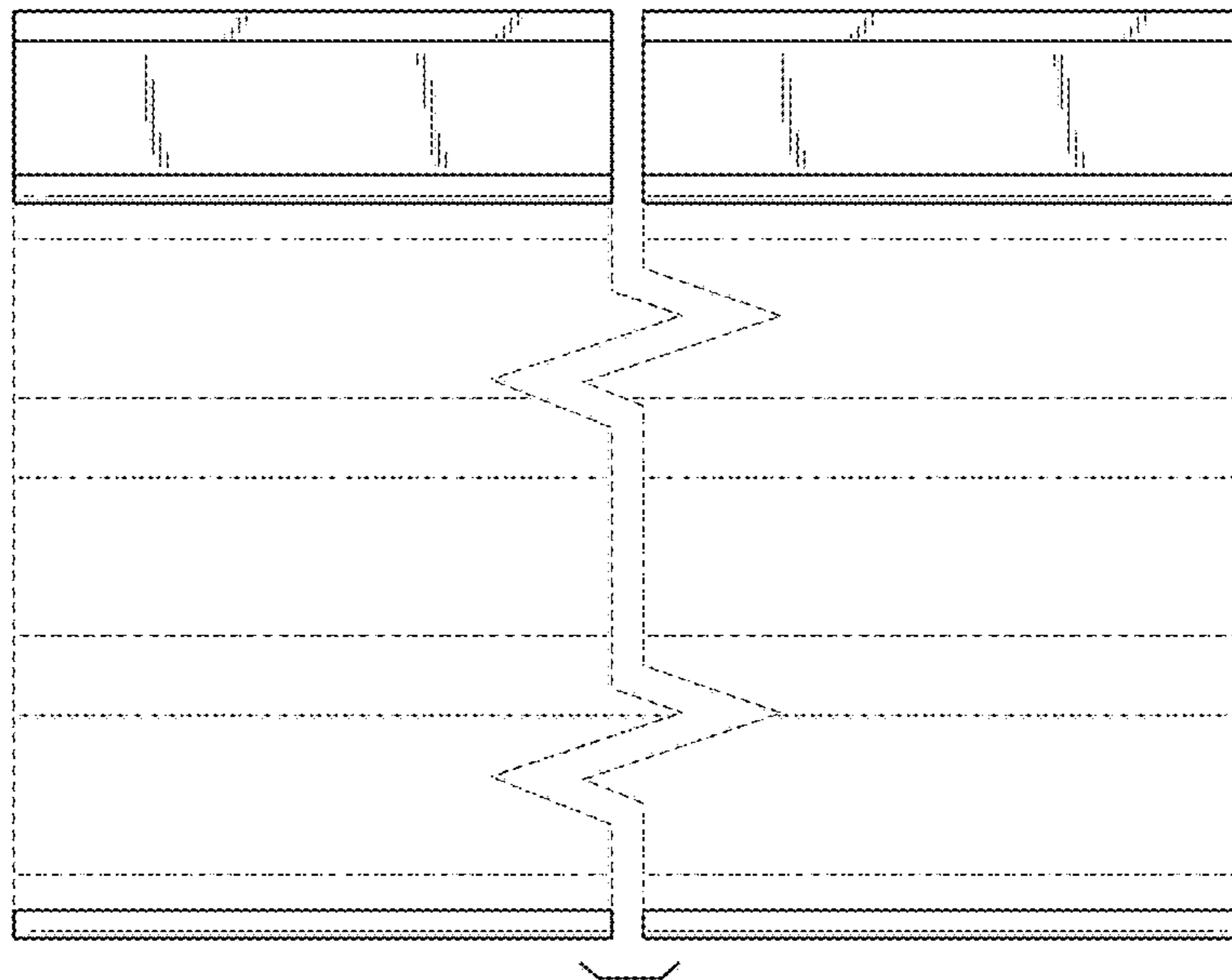


FIG. 17

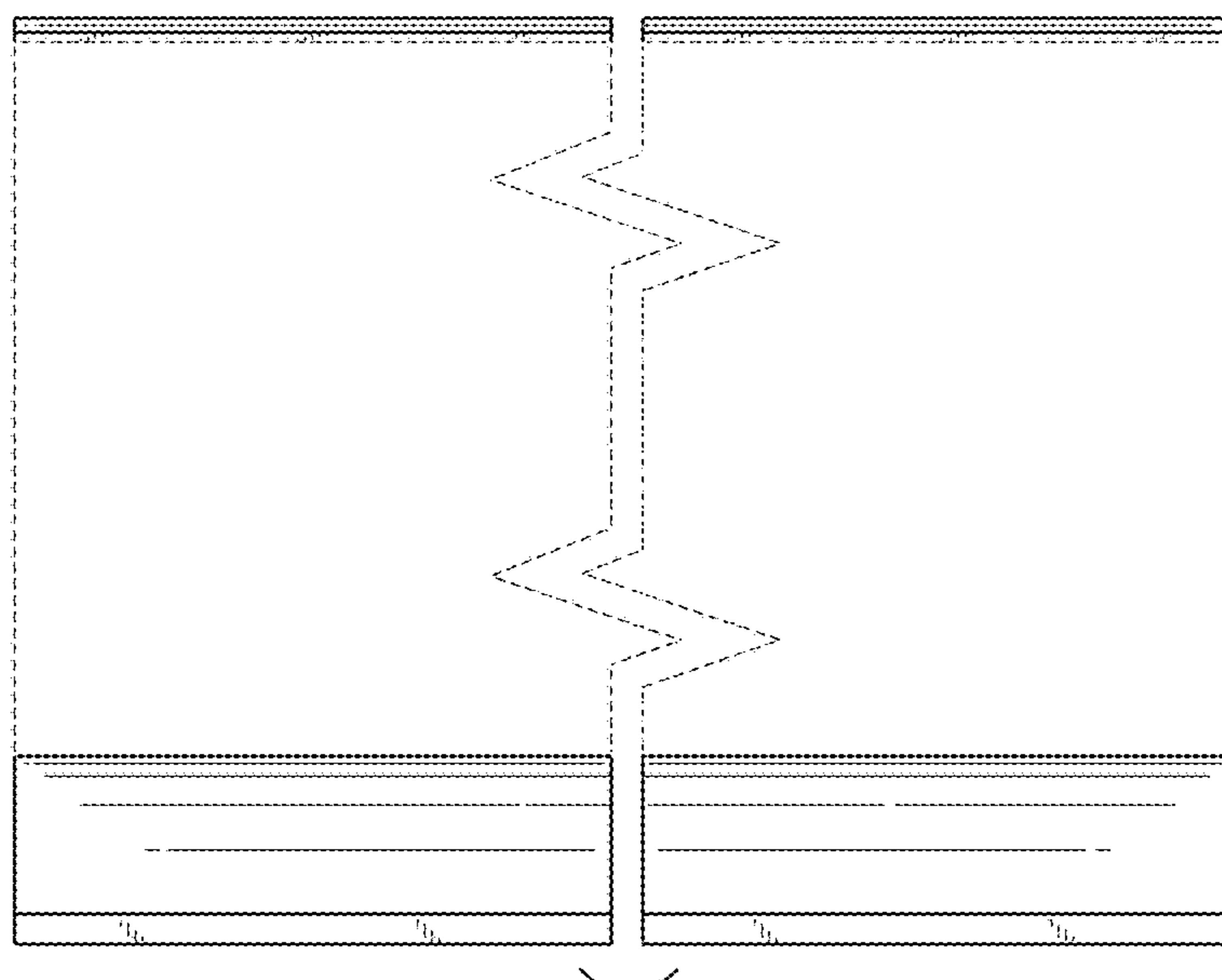


FIG. 18