



US00D859524S

(12) **United States Design Patent**
Goodman et al.

(10) **Patent No.:** **US D859,524 S**
(45) **Date of Patent:** **** Sep. 10, 2019**

- (54) **ORGANIZER**
- (71) Applicant: **Spectrum Diversified Designs, LLC**,
Streetsboro, OH (US)
- (72) Inventors: **Aaron Goodman**, Beachwood, OH
(US); **Courtney Wilson**, Chardon, OH
(US)
- (73) Assignee: **SPECTRUM DIVERSIFIED
DESIGNS, LLC**, Streetsboro, OH (US)
- (**) Term: **15 Years**
- (21) Appl. No.: **29/633,612**
- (22) Filed: **Jan. 15, 2018**
- (51) **LOC (12) Cl.** **19-02**
- (52) **U.S. Cl.**
USPC **D19/90**
- (58) **Field of Classification Search**
USPC D19/3, 75, 77-78, 86-92; D3/313, 901;
D6/553, 566, 560, 570; D7/590, 601,
D7/640, 641; D28/73
CPC A47B 63/00; B42D 5/005; B42D 5/006;
B42D 5/007; B43M 99/00; B43M 99/001;
B43M 99/006; B43M 99/007; B43M
99/008; B43M 99/009
See application file for complete search history.

- (56) **References Cited**
U.S. PATENT DOCUMENTS
2,903,137 A * 9/1959 Brown A47B 55/02
211/104
3,160,308 A * 12/1964 Hare B65D 21/046
206/507
3,366,264 A * 1/1968 Panknin B65D 21/046
206/505
3,939,981 A * 2/1976 King B65D 21/046
206/507

- 4,122,955 A * 10/1978 Celms A47F 5/13
108/108
- 4,140,256 A * 2/1979 King B25H 3/04
206/373
- D285,156 S * 8/1986 Chap D6/566
- 5,460,279 A * 10/1995 Emery A47B 55/02
211/106
- D365,239 S * 12/1995 Emery D6/566
- 5,875,902 A * 3/1999 Emery A47B 96/16
108/29
- 5,996,812 A * 12/1999 Sokol, Jr. B42F 7/10
211/11
- D452,533 S * 12/2001 Goodman D19/90
- D463,697 S * 10/2002 Klein D6/514
- D616,680 S * 6/2010 Snider D6/513
- D739,681 S * 9/2015 Bee D7/600.4
- D760,033 S * 6/2016 Khaitan D7/600.4
- D768,403 S * 10/2016 Goodman D6/514
- D772,980 S 11/2016 Goodman
- 9,498,088 B2 * 11/2016 Hinson A47K 3/281
- D826,325 S * 8/2018 Goodman D19/90
- 10,040,468 B2 * 8/2018 Bacallao B62B 3/1464

(Continued)

Primary Examiner — Elizabeth A. Albert
(74) *Attorney, Agent, or Firm* — Tucker Ellis LLP

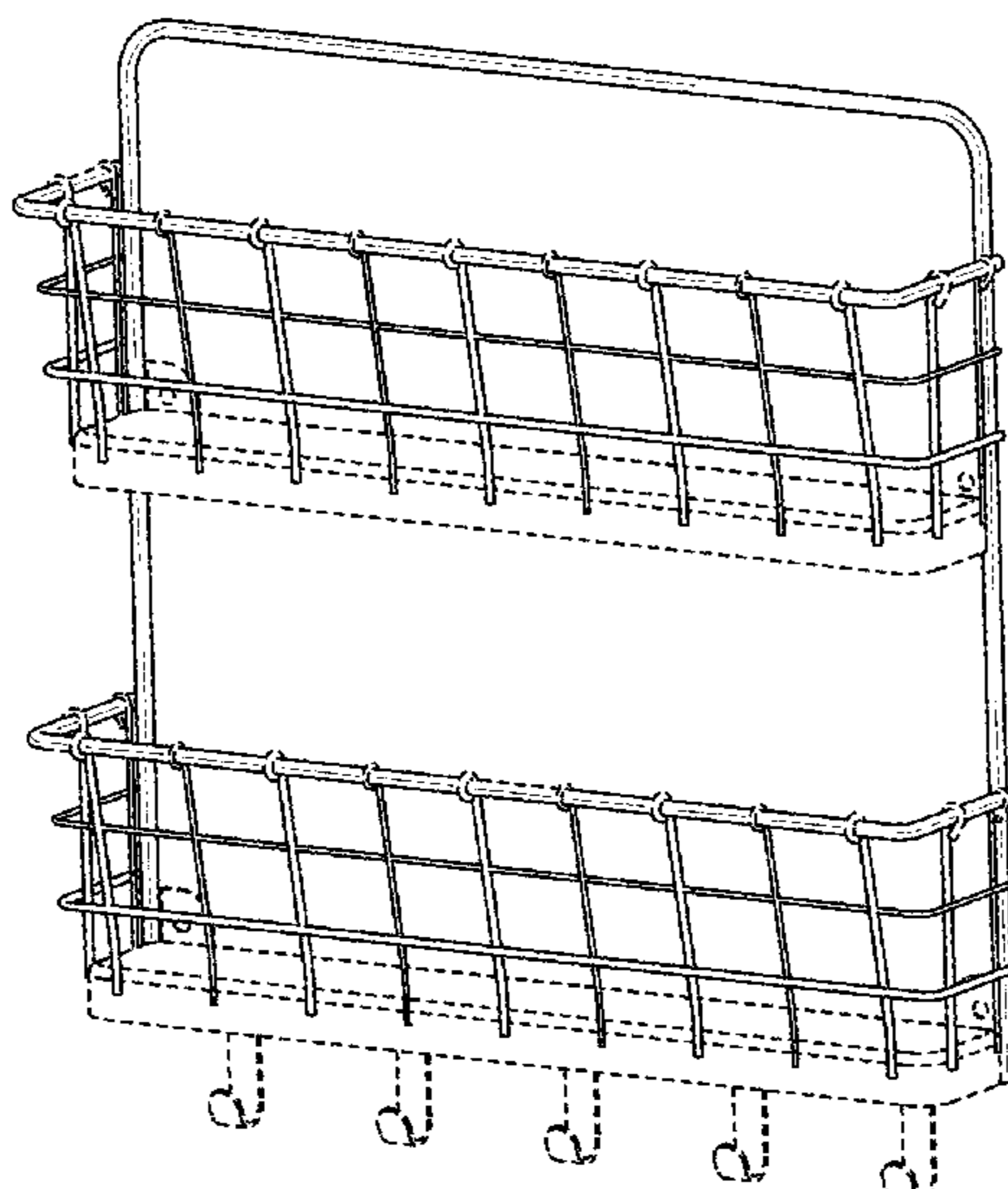
(57) **CLAIM**

The ornamental design for an organizer, as shown and described.

DESCRIPTION

FIG. 1 is a perspective view of an organizer showing our new design.
FIG. 2 is a front view thereof.
FIG. 3 is a rear view thereof.
FIG. 4 is a left side view thereof.
FIG. 5 is a right side view thereof.
FIG. 6 is a top view thereof; and,
FIG. 7 is a bottom view thereof.
The broken lines show portions of the design that form no part of the claimed design.

1 Claim, 4 Drawing Sheets



(56)

References Cited

U.S. PATENT DOCUMENTS

10,058,197	B2 *	8/2018	Bacallao	A47F 9/042
2005/0006541	A1 *	1/2005	Magnusson	A47B 96/1416
				248/235
2006/0032829	A1 *	2/2006	Hutzler	A47B 13/02
				211/187
2010/0288717	A1 *	11/2010	Morandi	A47B 43/00
				211/187
2011/0226775	A1 *	9/2011	Shea	A47F 5/0031
				220/476

* cited by examiner

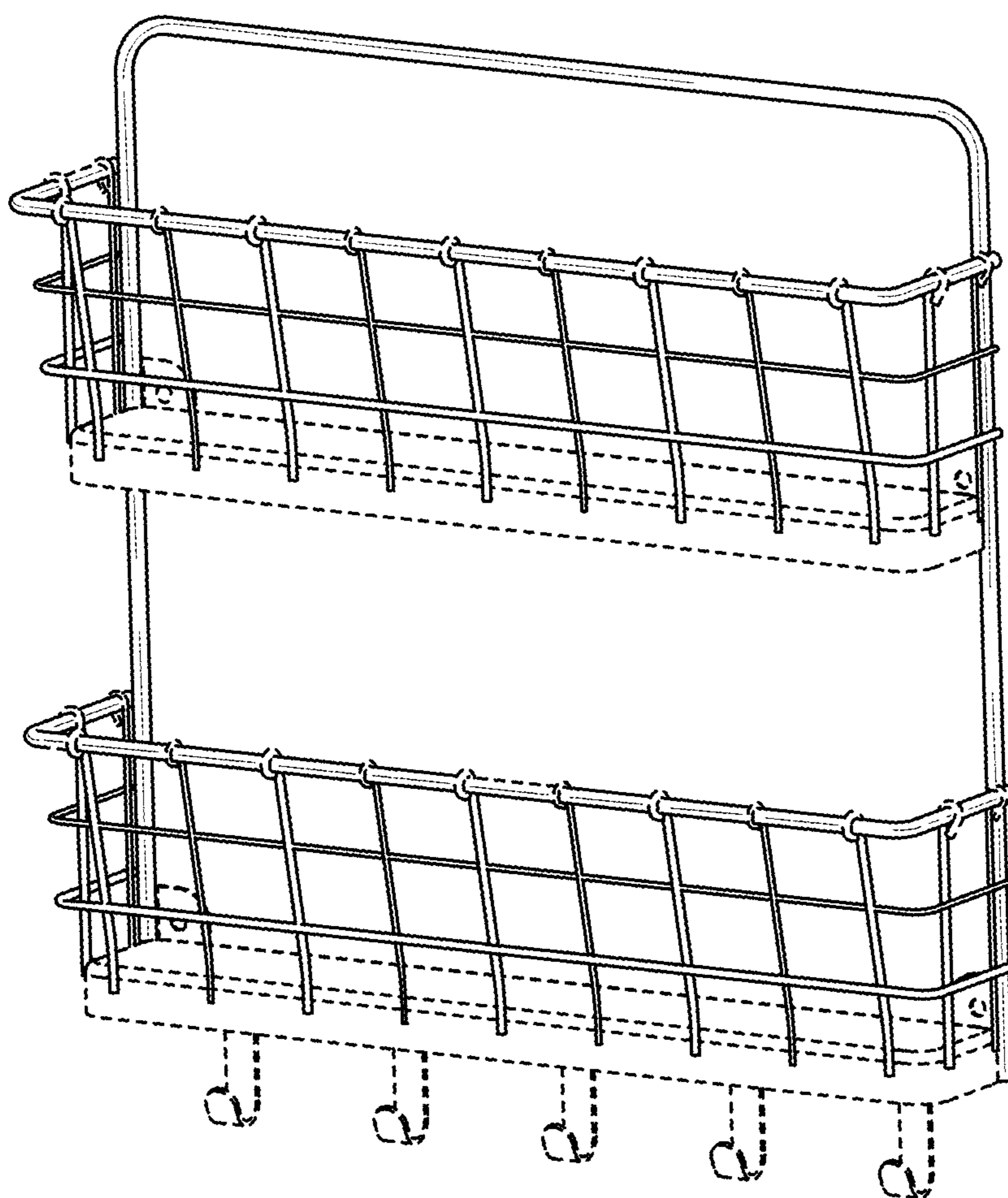


FIG. 1

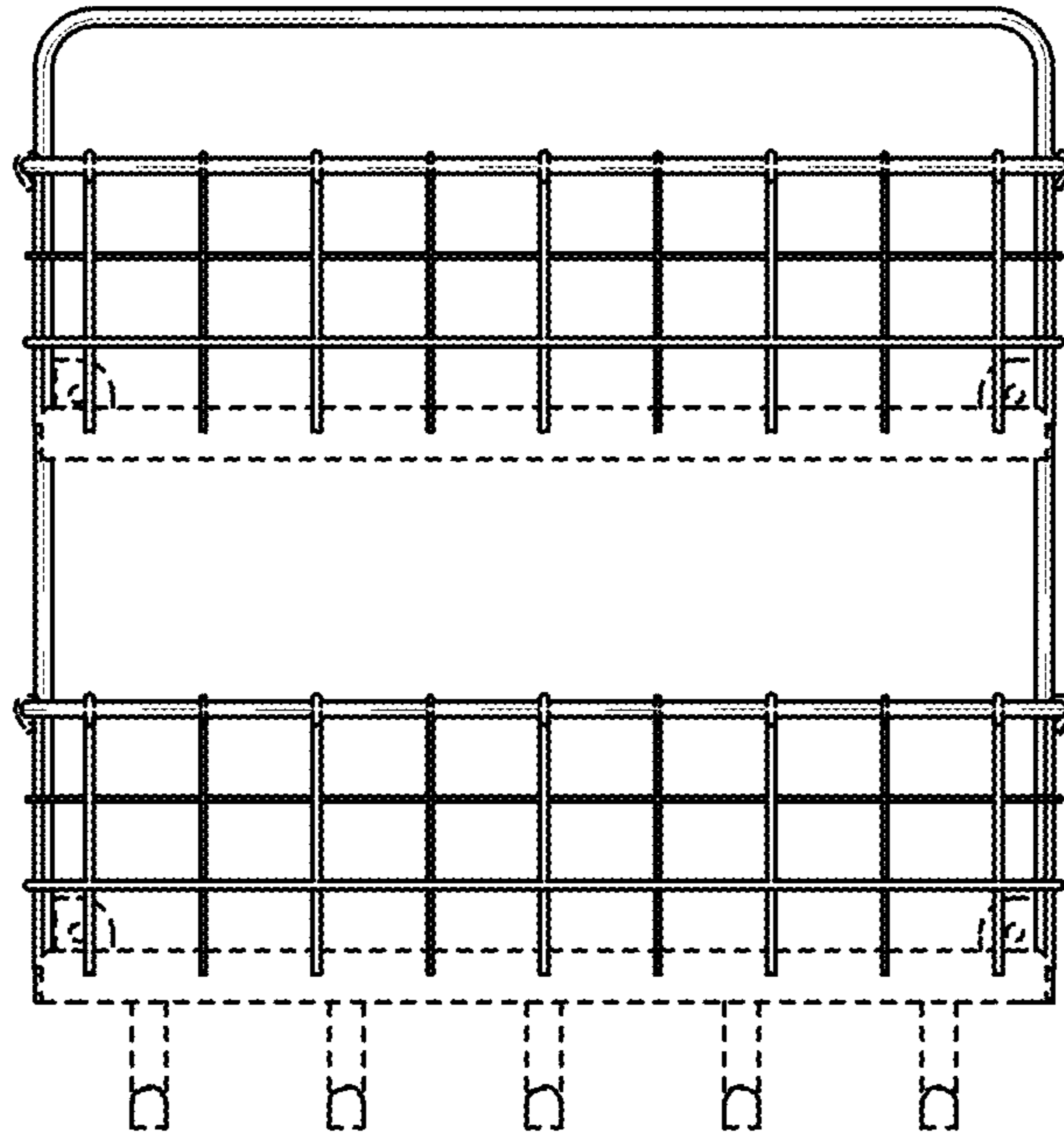


FIG. 2

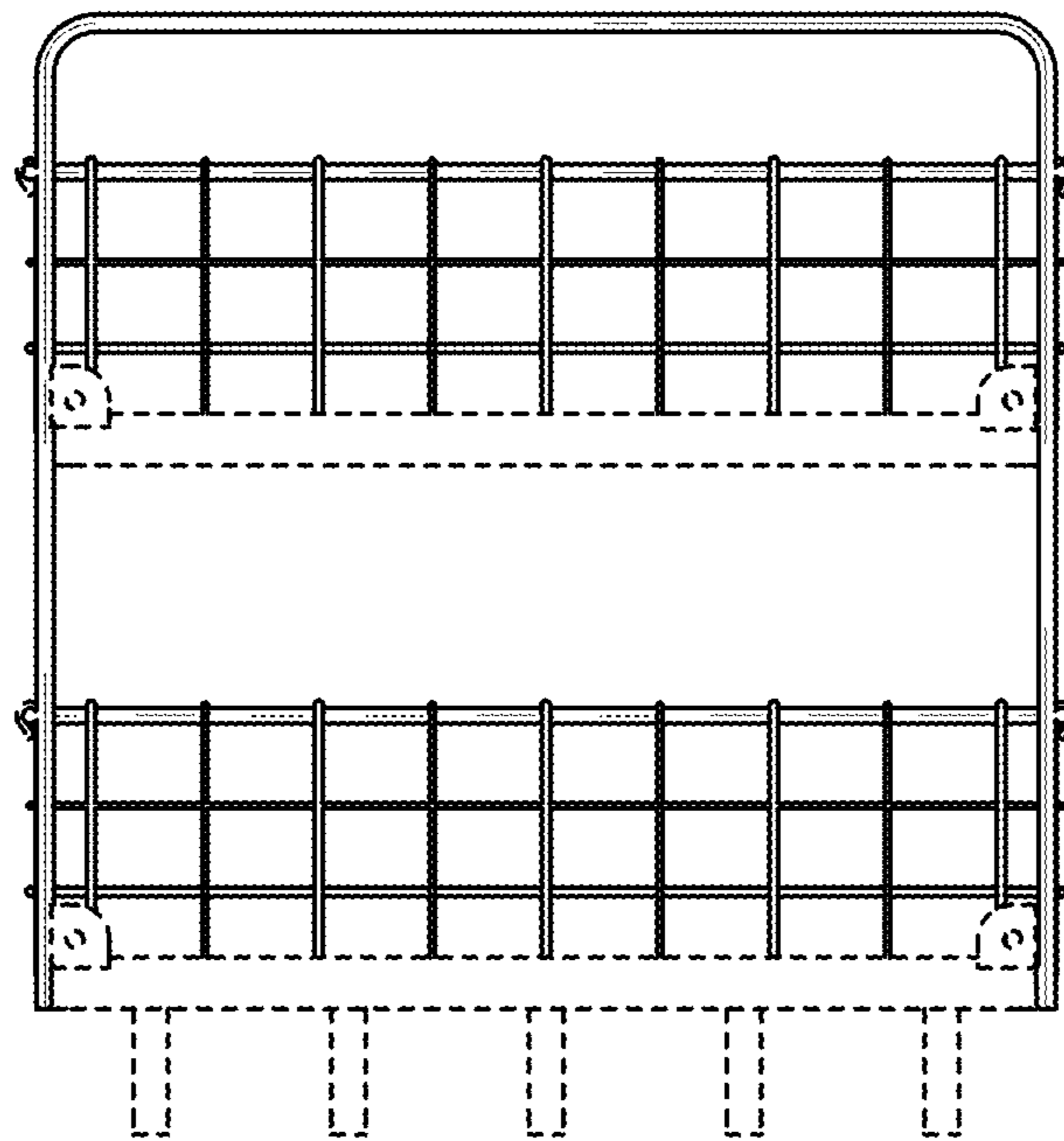


FIG. 3

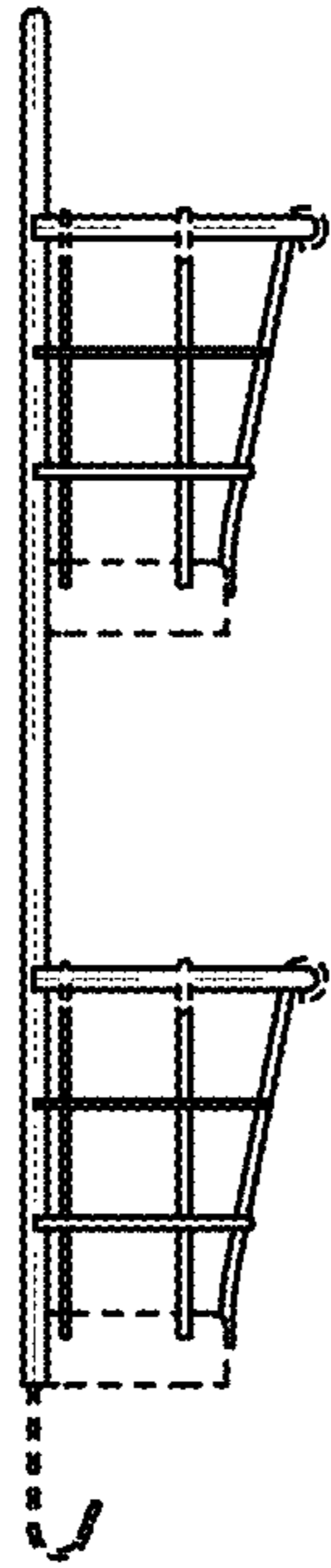


FIG. 4

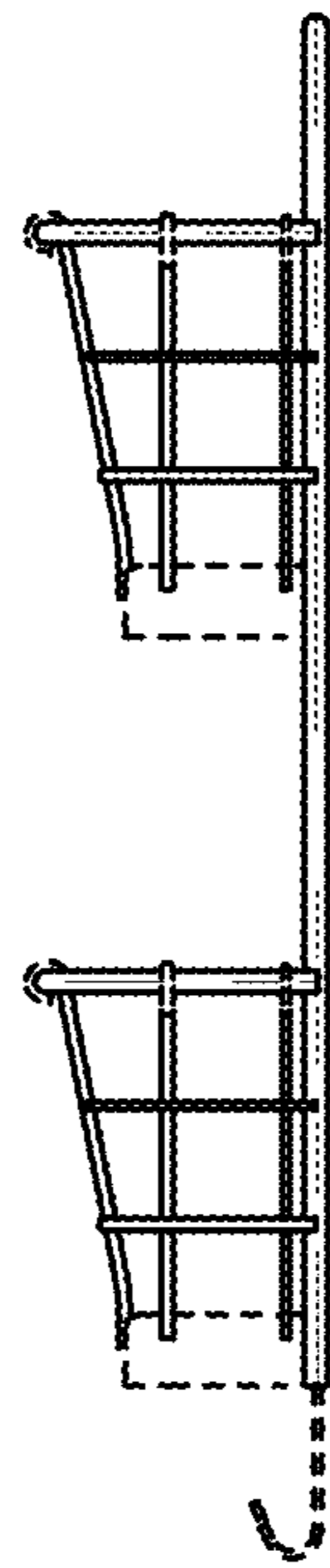


FIG. 5

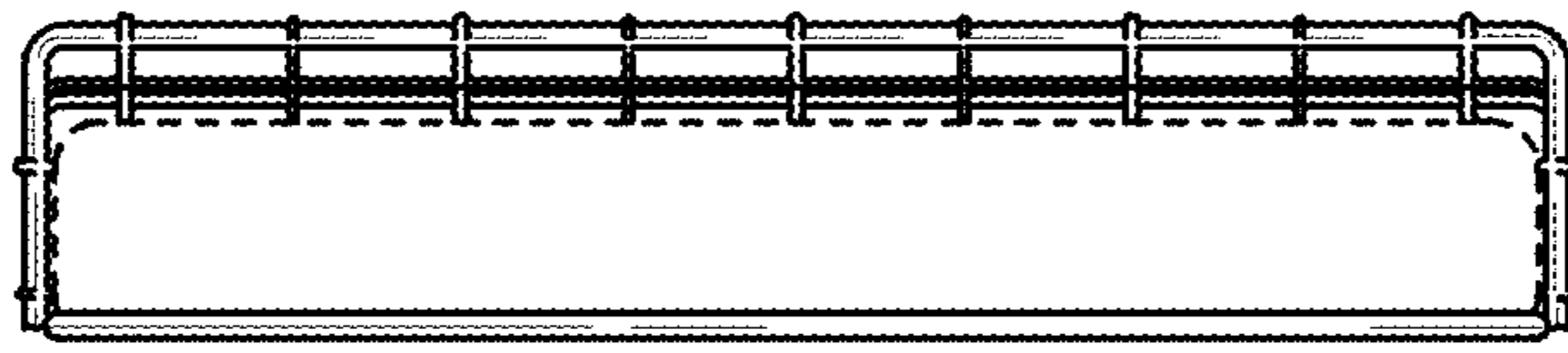


FIG. 6

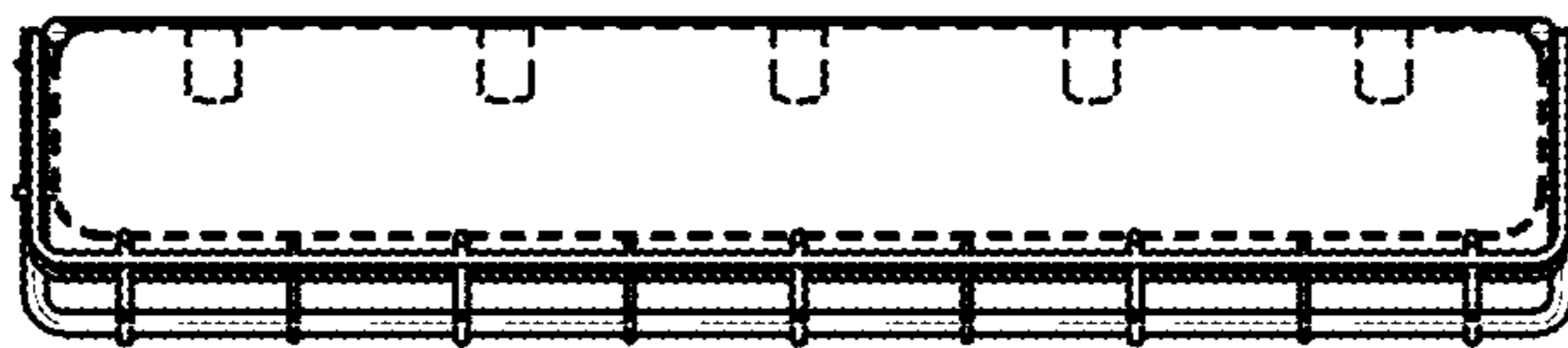


FIG. 7