



US00D859523S

(12) **United States Design Patent** (10) **Patent No.:** **US D859,523 S**
Goodman et al. (45) **Date of Patent:** **** Sep. 10, 2019**

(54) **ORGANIZER** 4,318,478 A * 3/1982 De Winter A47J 47/16
206/373
(71) Applicant: **Spectrum Diversified Designs, LLC,** D268,119 S * 3/1983 Evenson D19/77
Streetsboro, OH (US) 4,410,093 A * 10/1983 Chiariello B42F 17/12
211/11
(72) Inventors: **Aaron Goodman,** Beachwood, OH 4,593,822 A * 6/1986 Yeane A61L 2/26
(US); **Megan Dittrich,** Twinsburg, OH 211/41.8
(US) D329,954 S * 10/1992 Sharon D6/675.5
D433,712 S * 11/2000 Walsh D19/75
D478,354 S * 8/2003 Chen D19/75
(73) Assignee: **SPECTRUM DIVERSIFIED** D585,094 S * 1/2009 Smith D19/90
DESIGNS, LLC, Streetsboro, OH (US) D689,945 S * 9/2013 Hu D19/90
(Continued)

(**) Term: **15 Years**

(21) Appl. No.: **29/622,953**
(22) Filed: **Oct. 20, 2017**
(51) **LOC (12) Cl.** **19-02**
(52) **U.S. Cl.**
USPC **D19/90**
(58) **Field of Classification Search**
USPC D19/3, 75, 77-78, 86-92; D3/313, 901;
D6/553, 566, 560, 570; D7/590, 601,
D7/640, 641; D28/73
CPC A47B 63/00; B42D 5/005; B42D 5/006;
B42D 5/007; B43M 99/00; B43M 99/001;
B43M 99/006; B43M 99/007; B43M
99/008; B43M 99/009
See application file for complete search history.

(56) **References Cited**

U.S. PATENT DOCUMENTS

301,204 A * 7/1884 Berry A47F 7/163
211/45
D94,204 S * 1/1935 Guild D19/90
D129,374 S * 9/1941 Guild D19/90
3,083,836 A * 4/1963 Bussemer B65D 7/065
211/134
3,176,849 A * 4/1965 Peebles B42F 17/02
211/11
4,087,926 A * 5/1978 Breslau G03D 13/125
211/50
D258,511 S * 3/1981 Ashton D19/90

OTHER PUBLICATIONS

Lorell Desktop File Sorters (LLR84153), web page, https://www.amazon.com/Lorell-Desktop-File-Sorters-LLR84153/dp/B00B8XAY68/ref=sr_1_1?s=home-garden&ie=UTF8&qid=1505875380&sr=1-1&keywords=lorell+vertical+file+sorter, dated Sep. 19, 2017, pp. 1-6.

Primary Examiner — Elizabeth A. Albert
(74) *Attorney, Agent, or Firm* — Tucker Ellis LLP

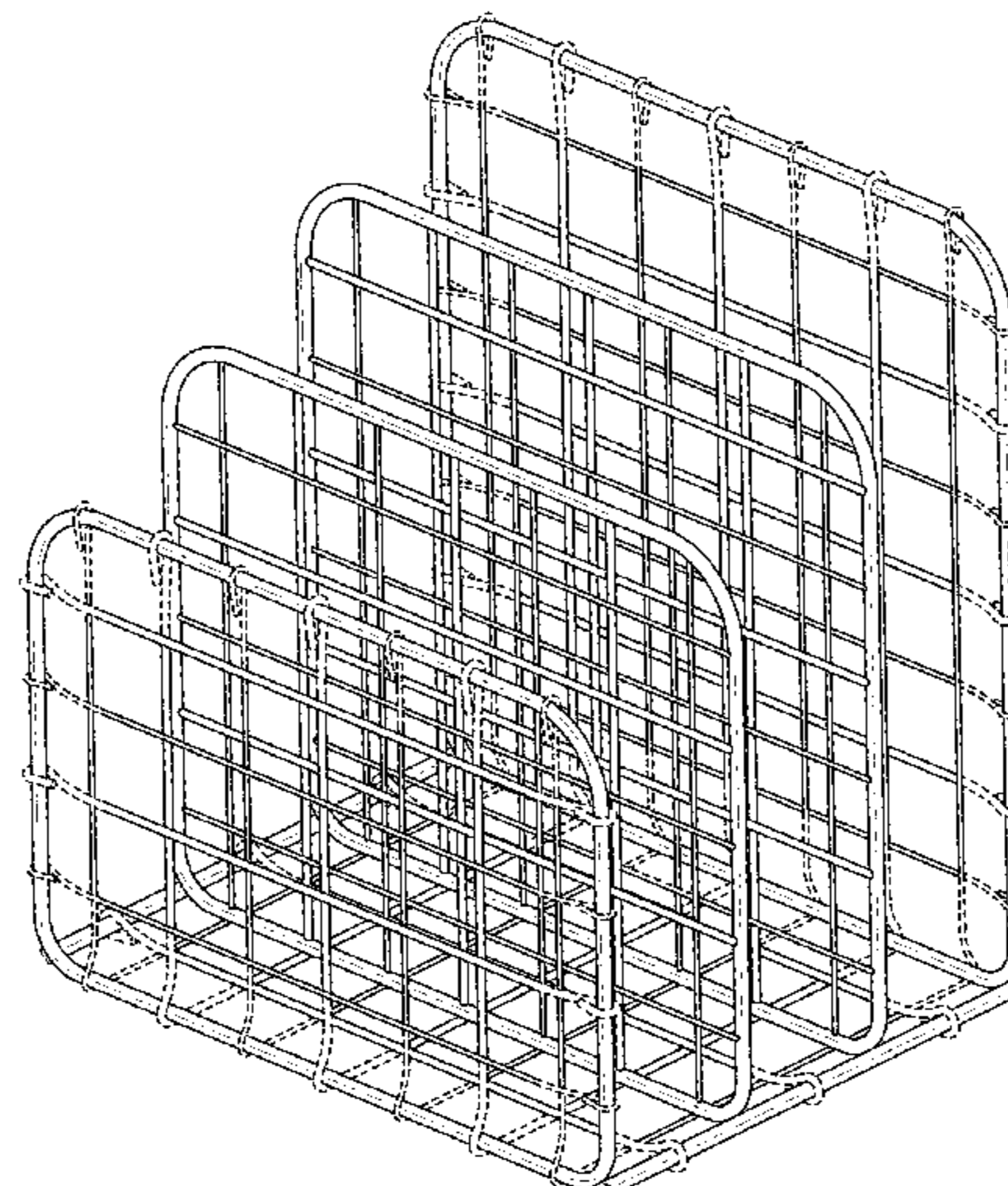
(57) **CLAIM**

The ornamental design for an organizer, as shown and described.

DESCRIPTION

FIG. 1 is a perspective view of an organizer showing my new design.
FIG. 2 is a bottom view thereof.
FIG. 3 is a top view thereof.
FIG. 4 is a right side view thereof.
FIG. 5 is a left side view thereof.
FIG. 6 is a front view thereof; and,
FIG. 7 is an inverted rear view thereof.
The broken lines in FIGS. 1-7 are included for the purpose of showing portions of the organizer that form no part of the claimed design.

1 Claim, 4 Drawing Sheets



(56)

References Cited

U.S. PATENT DOCUMENTS

8,627,764 B1 * 1/2014 Cloutier A47J 37/0694
99/448
D709,719 S * 7/2014 Hsu D6/683.1
D748,939 S * 2/2016 Hsu D6/683.1
D841,734 S * 2/2019 Tuang D19/90
2011/0062093 A1 * 3/2011 McGhee A47B 43/00
211/50

* cited by examiner

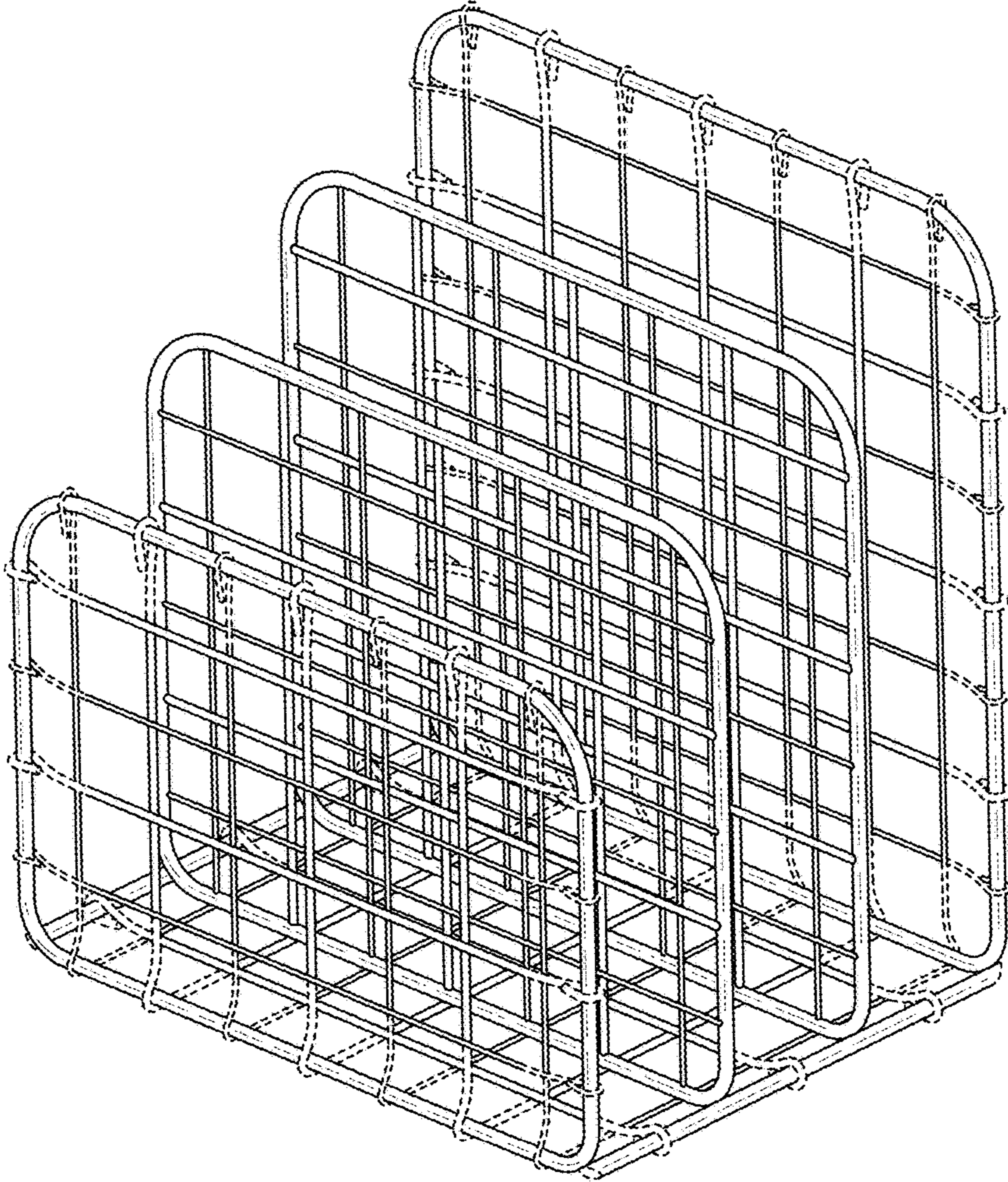


FIG. 1

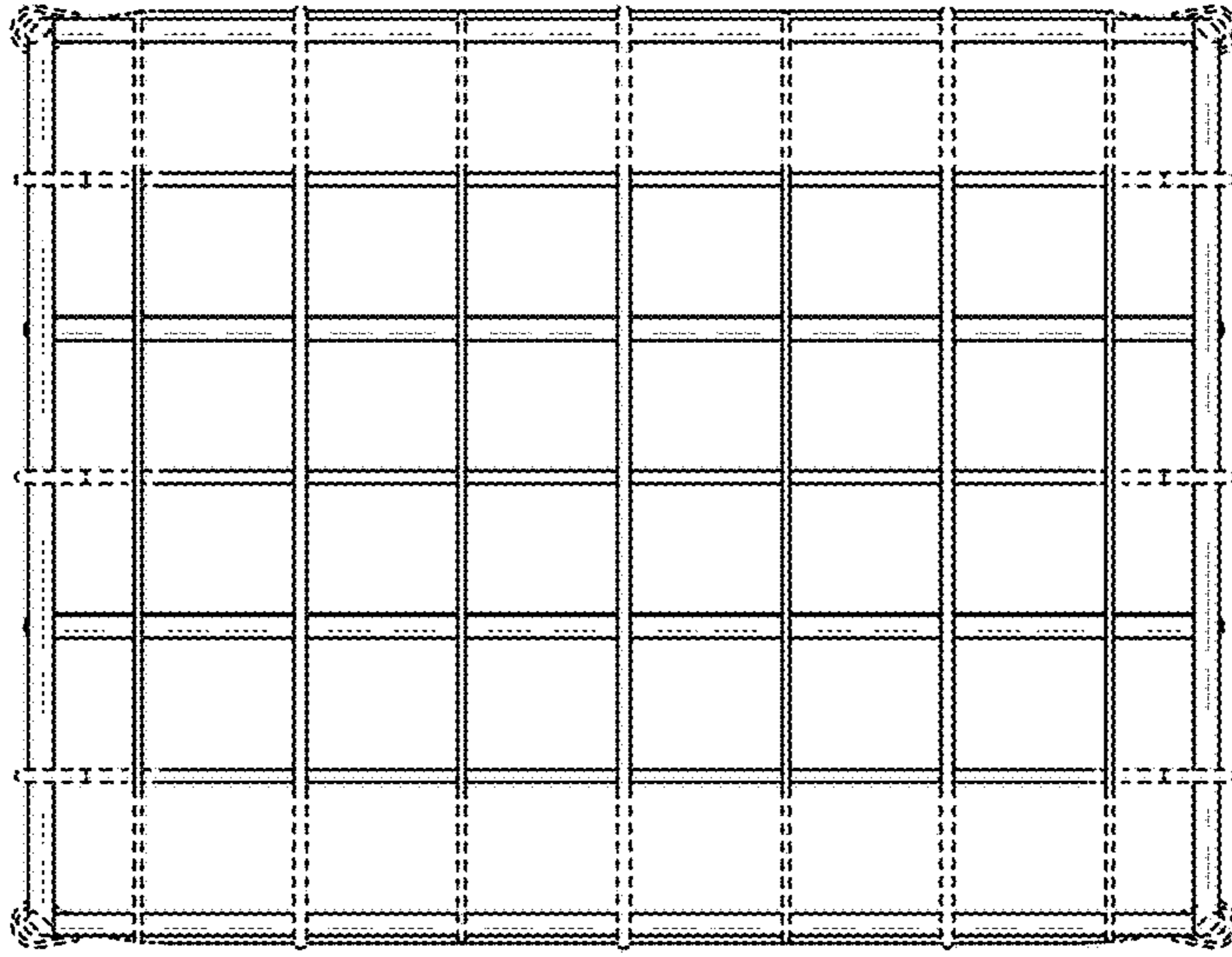


FIG. 2

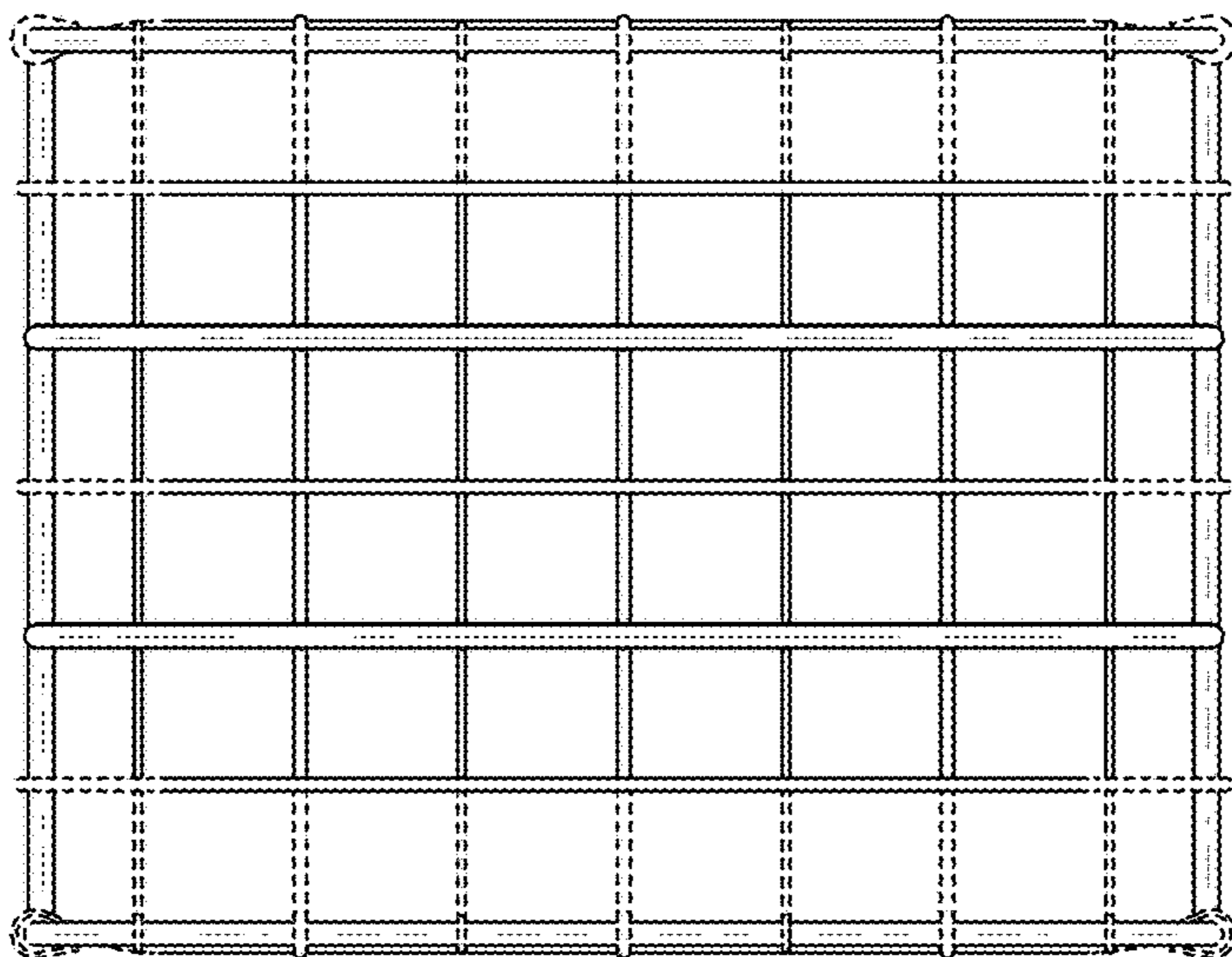


FIG. 3

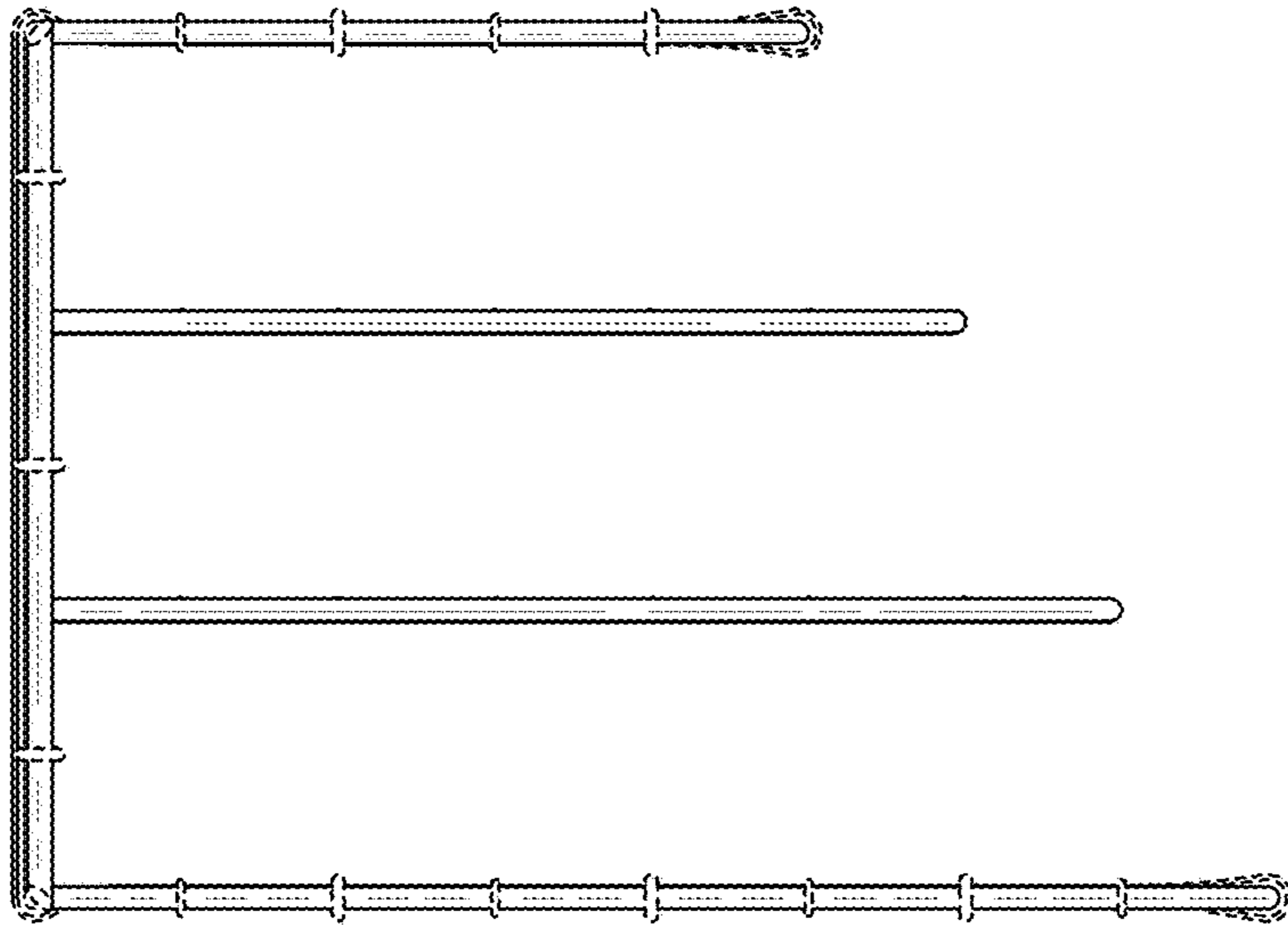


FIG. 4

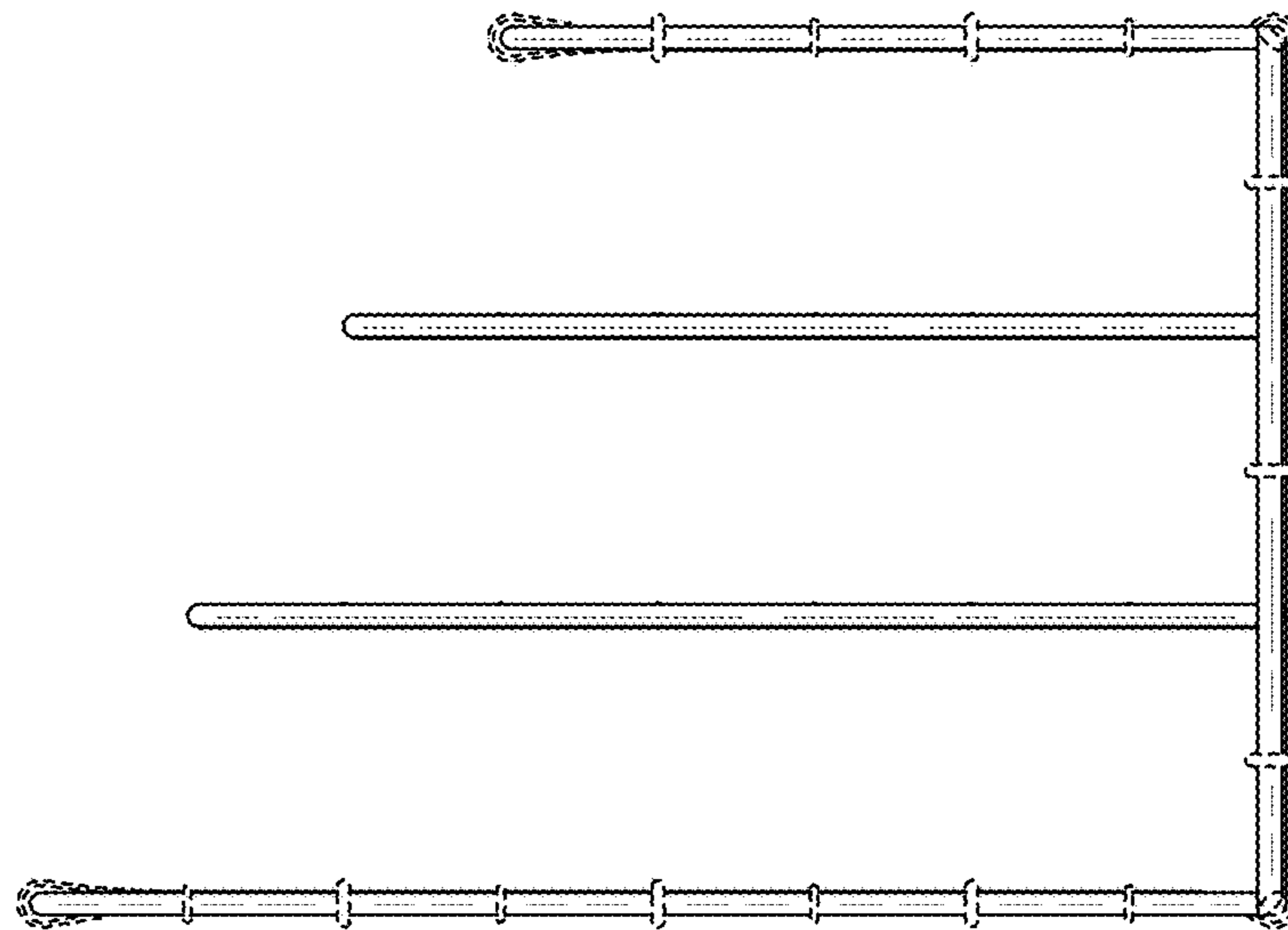


FIG. 5

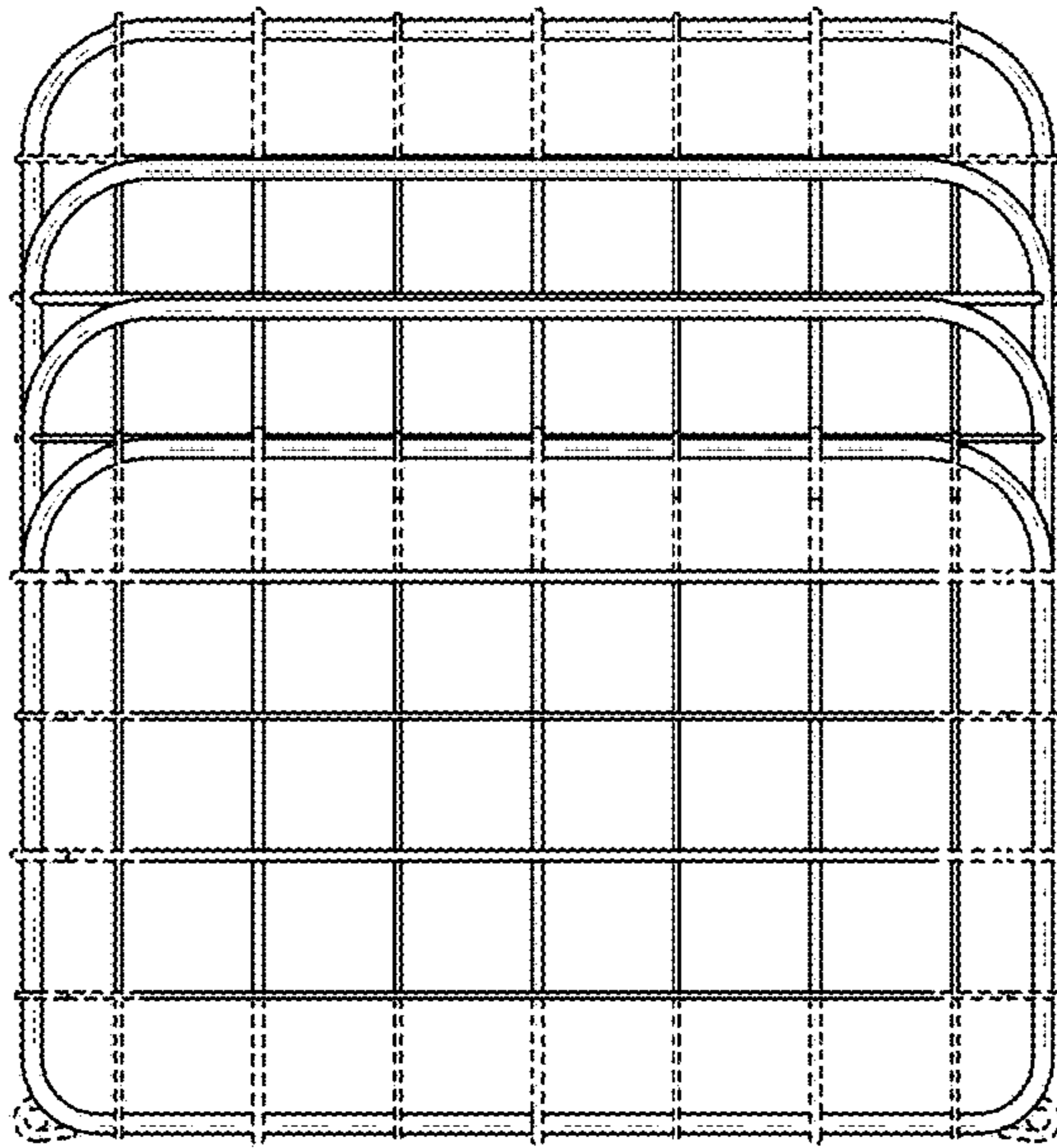


FIG. 6

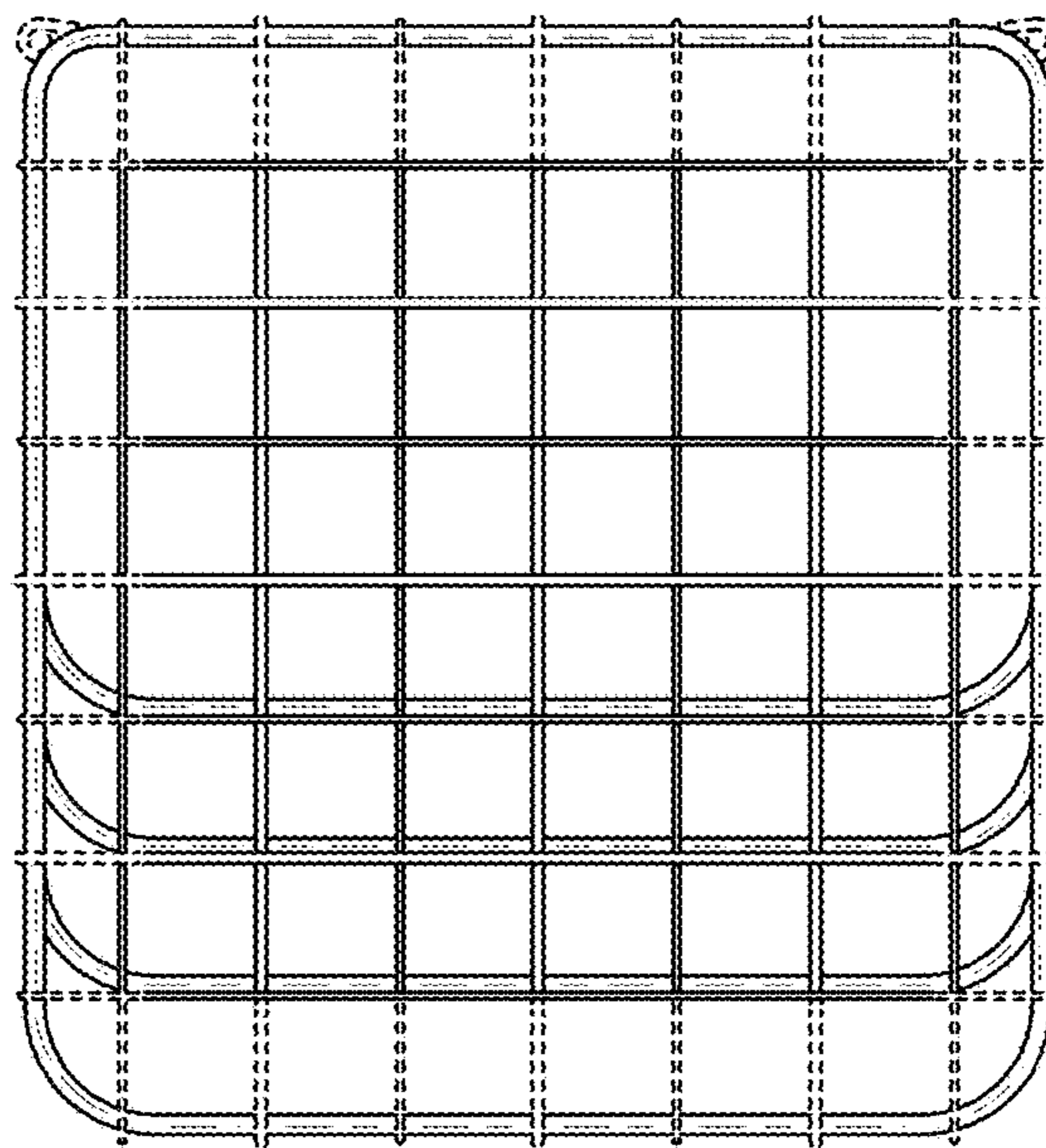


FIG. 7