



US00D859522S

(12) **United States Design Patent**  
**Pisapia**

(10) **Patent No.:** **US D859,522 S**

(45) **Date of Patent:** **\*\* Sep. 10, 2019**

- (54) **CLIPBOARD**
- (71) Applicant: **Carlo Antonio Pisapia**, FairField, NJ (US)
- (72) Inventor: **Carlo Antonio Pisapia**, FairField, NJ (US)
- (73) Assignee: **Carlo A. Pisapia**, FairField, NJ (US)
- (\*\*) Term: **15 Years**
- (21) Appl. No.: **29/651,026**
- (22) Filed: **Oct. 30, 2017**
- (51) **LOC (12) Cl.** ..... **19-02**
- (52) **U.S. Cl.**  
USPC ..... **D19/88**
- (58) **Field of Classification Search**  
USPC ..... D19/88, 113, 114; D8/395  
CPC ..... B42F 9/001; B42F 9/002; B42F 9/004;  
B42F 9/005; B42F 9/007; B42F 9/008;  
Y10T 24/202; Y10T 24/203; Y10T  
24/204; Y10T 24/205  
See application file for complete search history.

- 1,478,219 A \* 12/1923 Hammitt ..... B42F 9/00  
24/561
  - 2,409,814 A \* 10/1946 Vargish ..... A47G 1/141  
40/649
  - D235,127 S \* 5/1975 Grant ..... 24/543
  - 4,157,152 A \* 6/1979 Blastic ..... A63B 57/00  
224/247
  - 4,243,249 A \* 1/1981 Goss ..... B42F 9/001  
108/43
  - 4,255,837 A \* 3/1981 Holtz ..... B42F 11/04  
24/303
  - D269,728 S \* 7/1983 Ohanian ..... D19/113
- (Continued)

*Primary Examiner* — Elizabeth A. Albert

(57) **CLAIM**

The ornamental design for a clipboard, as shown and described.

**DESCRIPTION**

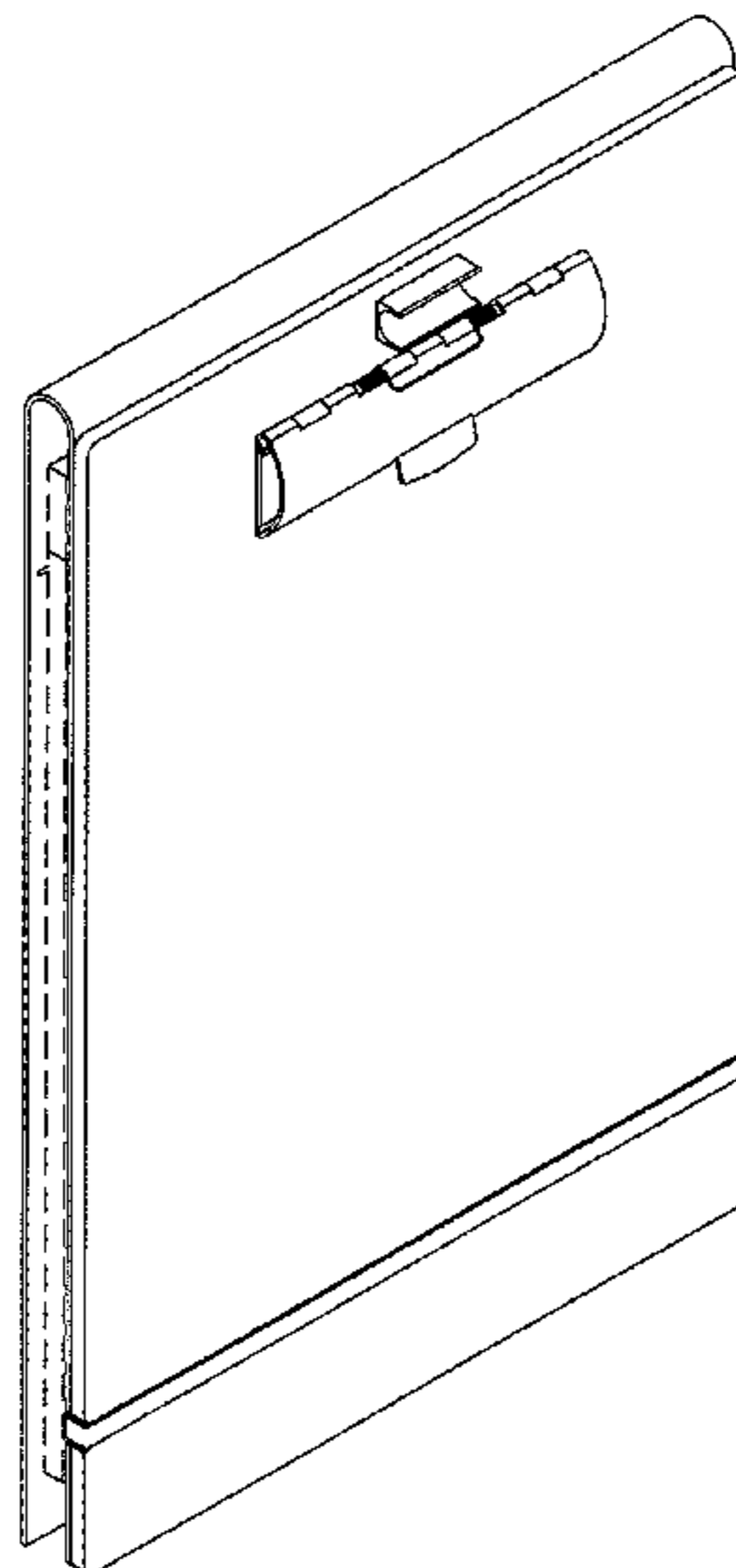
FIG. 1 is a front perspective view of a clipboard showing my new design;  
 FIG. 2 is a front elevational view thereof;  
 FIG. 3 is a back perspective view thereof;  
 FIG. 4 is a left side elevational view thereof; the right side elevational view being a mirror image of the left side elevational view;  
 FIG. 5 is a top plan view thereof;  
 FIG. 6 is a bottom plan view thereof;  
 FIG. 7 is a front perspective view thereof folded inside out;  
 FIG. 8 is a front elevational view thereof;  
 FIG. 9 is a back perspective view thereof;  
 FIG. 10 is a back elevational view thereof; and,  
 FIG. 11 is a left side elevational view thereof, the right side elevational view being a mirror image of the left side elevational view.  
 The broken lines in the drawings are included to show an article in the environment that forms no part of the claimed design.

(56) **References Cited**

U.S. PATENT DOCUMENTS

- 212,729 A \* 2/1879 Murray ..... B42F 9/00  
24/67.3
- 782,476 A \* 2/1905 Winters ..... B42F 9/001  
24/67.7
- 1,058,871 A \* 4/1913 Krumming ..... B42F 9/001  
24/67.7
- 1,197,314 A \* 9/1916 Wells ..... B42F 9/001  
101/127.1
- 1,398,592 A \* 11/1921 Hohnsbeen ..... B42F 9/001  
211/89.01
- 1,439,140 A \* 12/1922 Brady ..... B42F 9/001  
24/67.5

**1 Claim, 10 Drawing Sheets**



(56)

**References Cited**

## U.S. PATENT DOCUMENTS

4,645,163 A \* 2/1987 Zovar ..... A47B 23/042  
108/1  
4,763,389 A \* 8/1988 Chang ..... B42F 1/006  
24/67 R  
D298,955 S \* 12/1988 Zovar ..... D19/88  
D301,489 S \* 6/1989 Aquila ..... D19/78  
D310,576 S \* 9/1990 Narbut ..... D19/62  
D317,788 S \* 6/1991 DeWitt ..... D19/88  
D329,061 S \* 9/1992 Szablak ..... D19/86  
D346,908 S \* 5/1994 Harrell, Jr. .... D19/88  
D388,463 S \* 12/1997 Sullins ..... D19/83  
5,692,866 A \* 12/1997 Hefty ..... B42C 5/06  
281/21.1  
D400,925 S \* 11/1998 McKittrick ..... D19/88  
5,887,902 A \* 3/1999 Irwin ..... B42F 9/001  
248/451  
D415,531 S \* 10/1999 Schultz ..... D19/65  
6,971,616 B1 \* 12/2005 Lake ..... B42F 9/001  
24/67.3  
D575,347 S \* 8/2008 Fedon ..... D19/88  
D665,449 S \* 8/2012 Guirlinger ..... D19/83  
D684,626 S \* 6/2013 Lam ..... D19/26  
D724,666 S \* 3/2015 Paulick ..... D19/88  
D733,085 S \* 6/2015 Kim ..... D14/138 G  
9,522,560 B2 \* 12/2016 Paulick ..... B42F 9/001

\* cited by examiner

Fig. 1

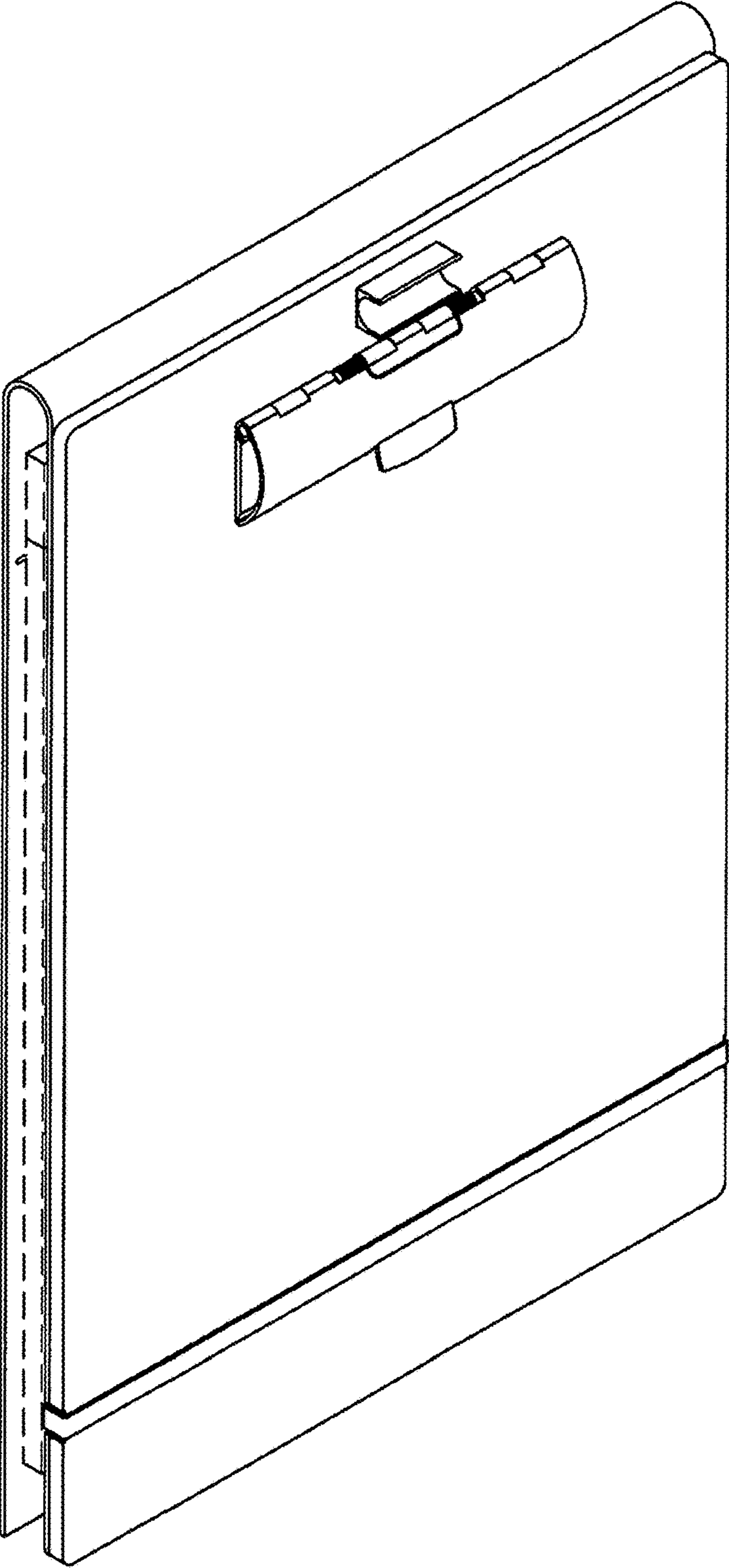


Fig. 2

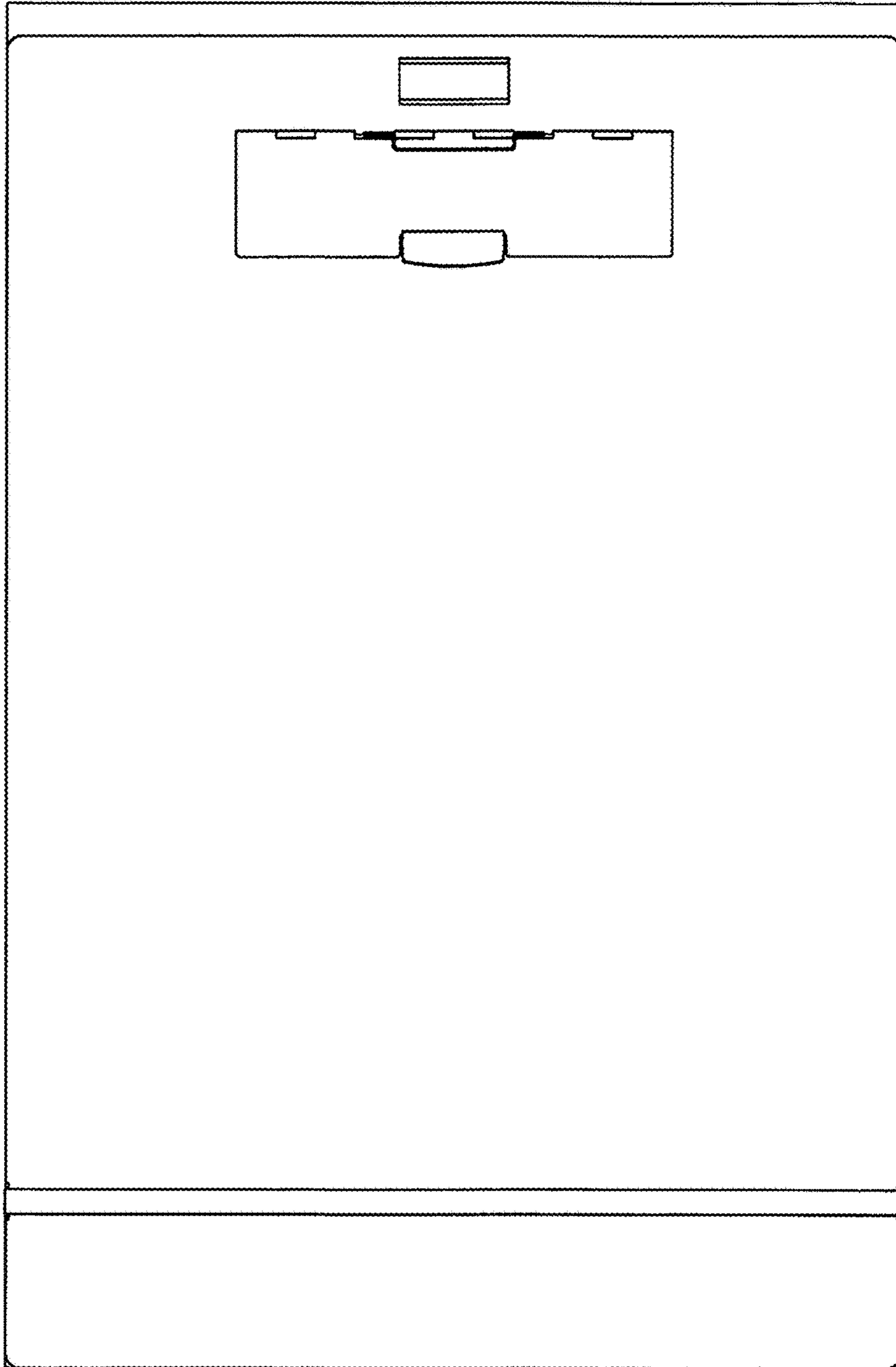


Fig. 3

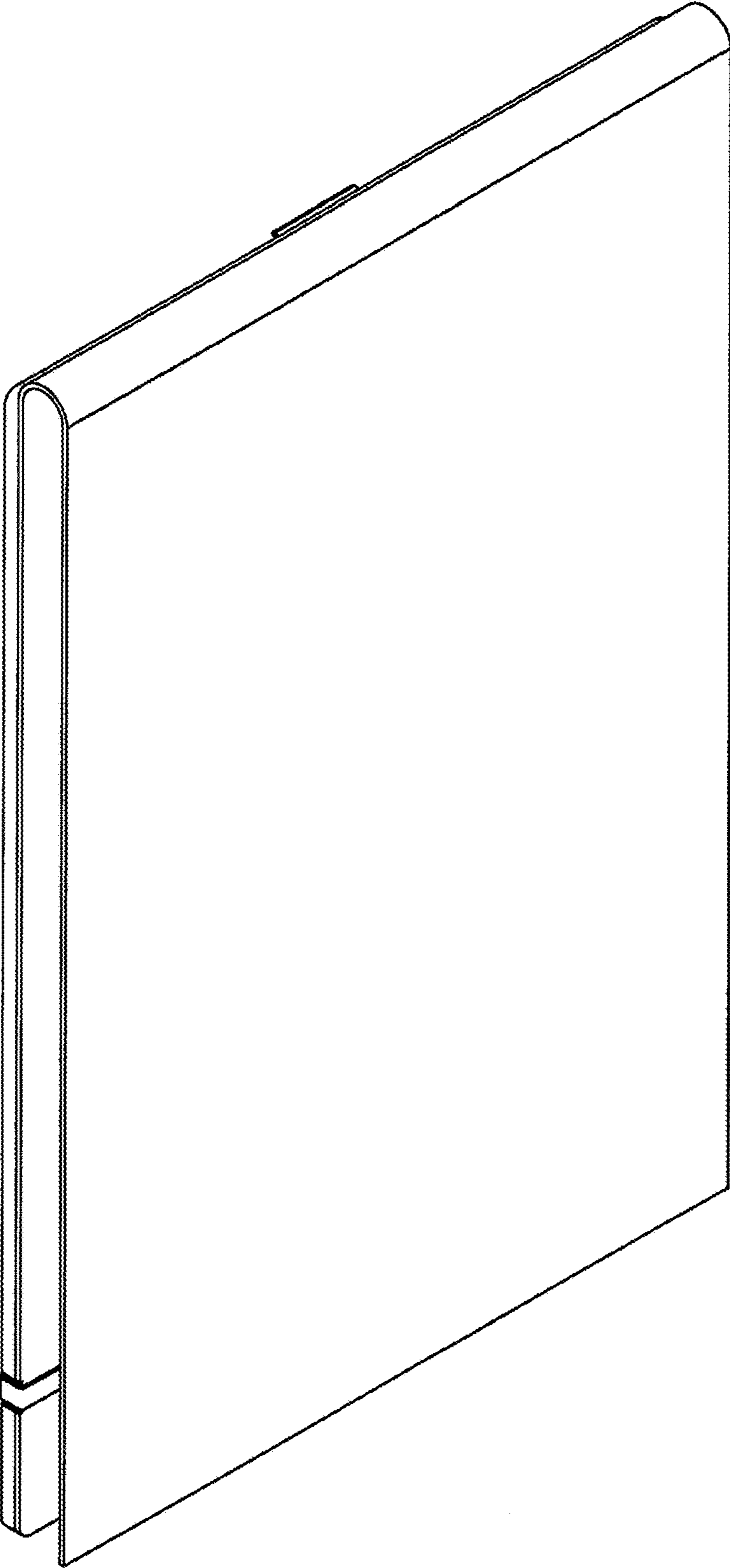


Fig. 4

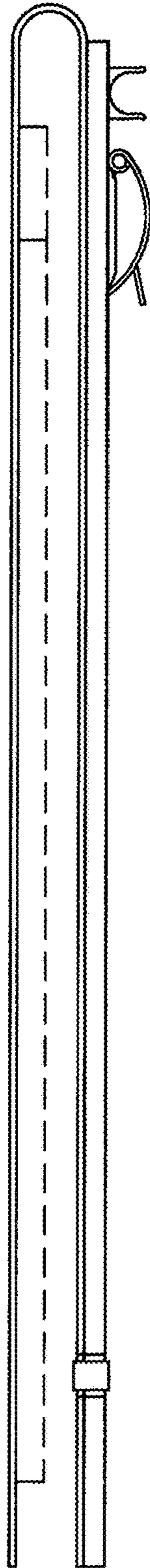




Fig. 5

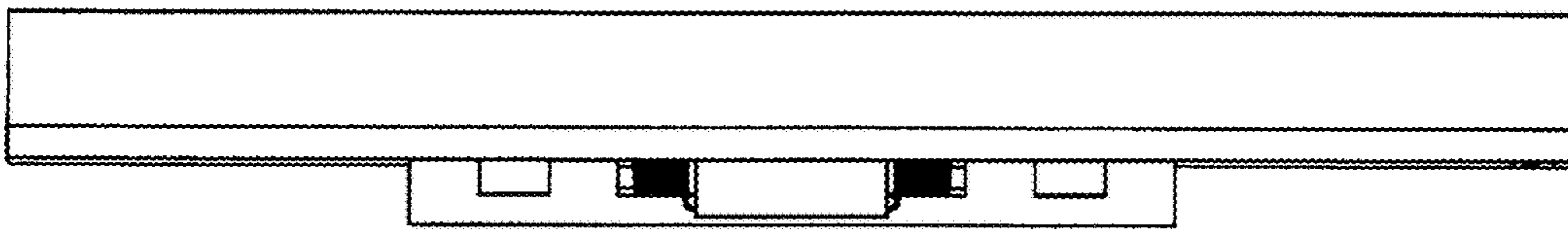


Fig. 6

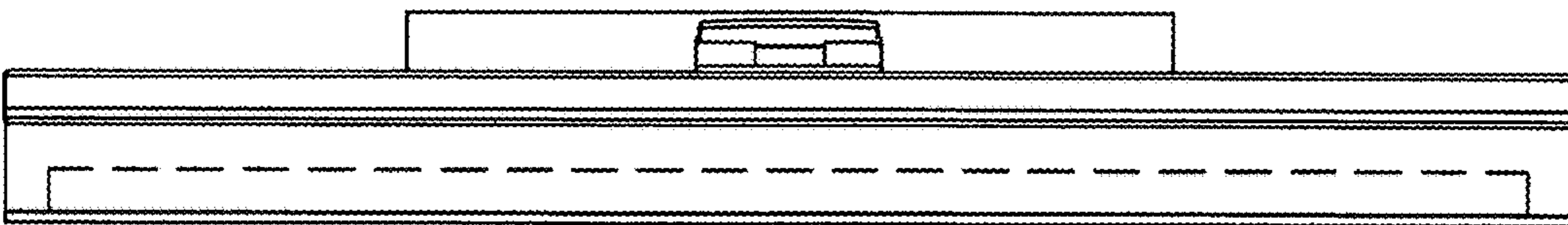


Fig. 7

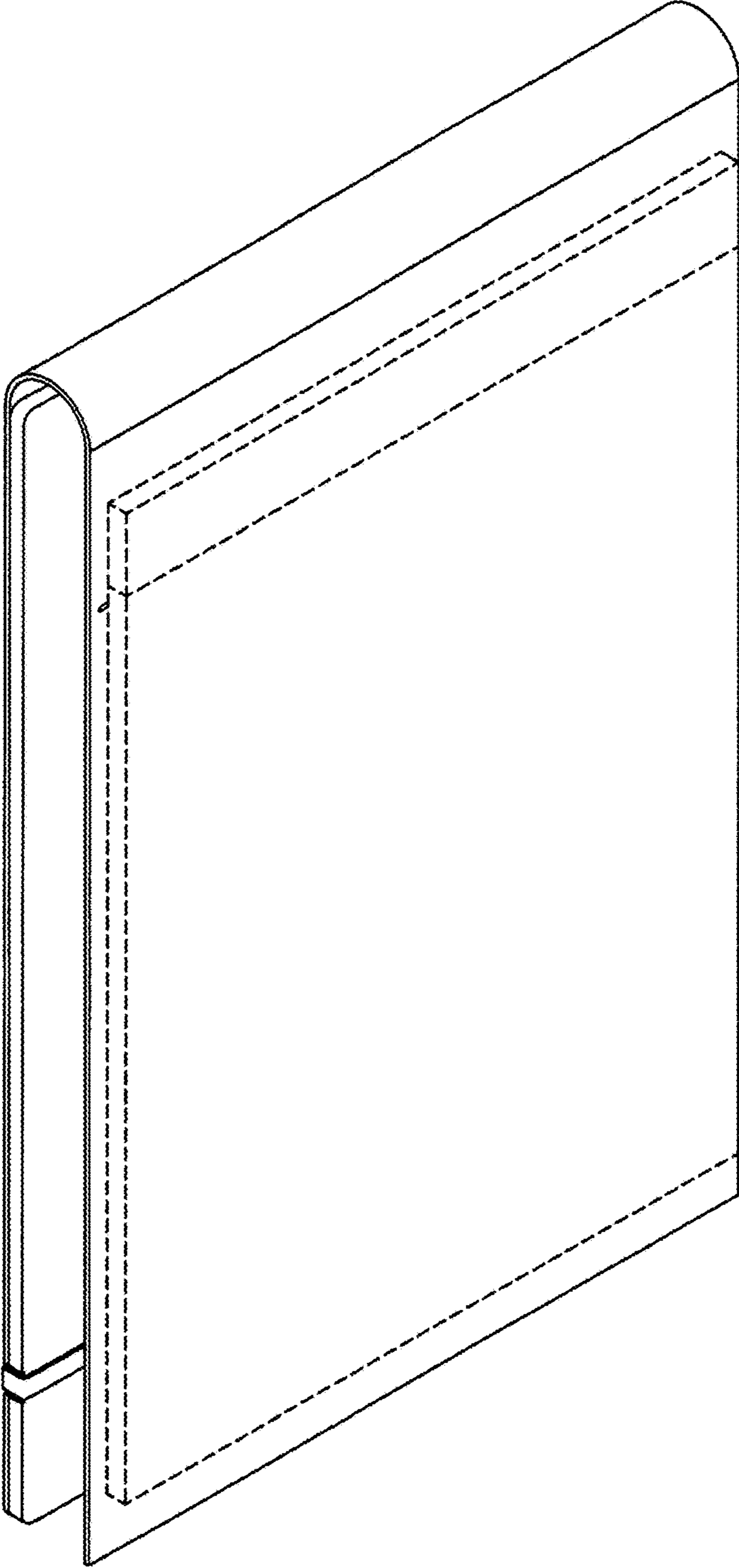




Fig. 8

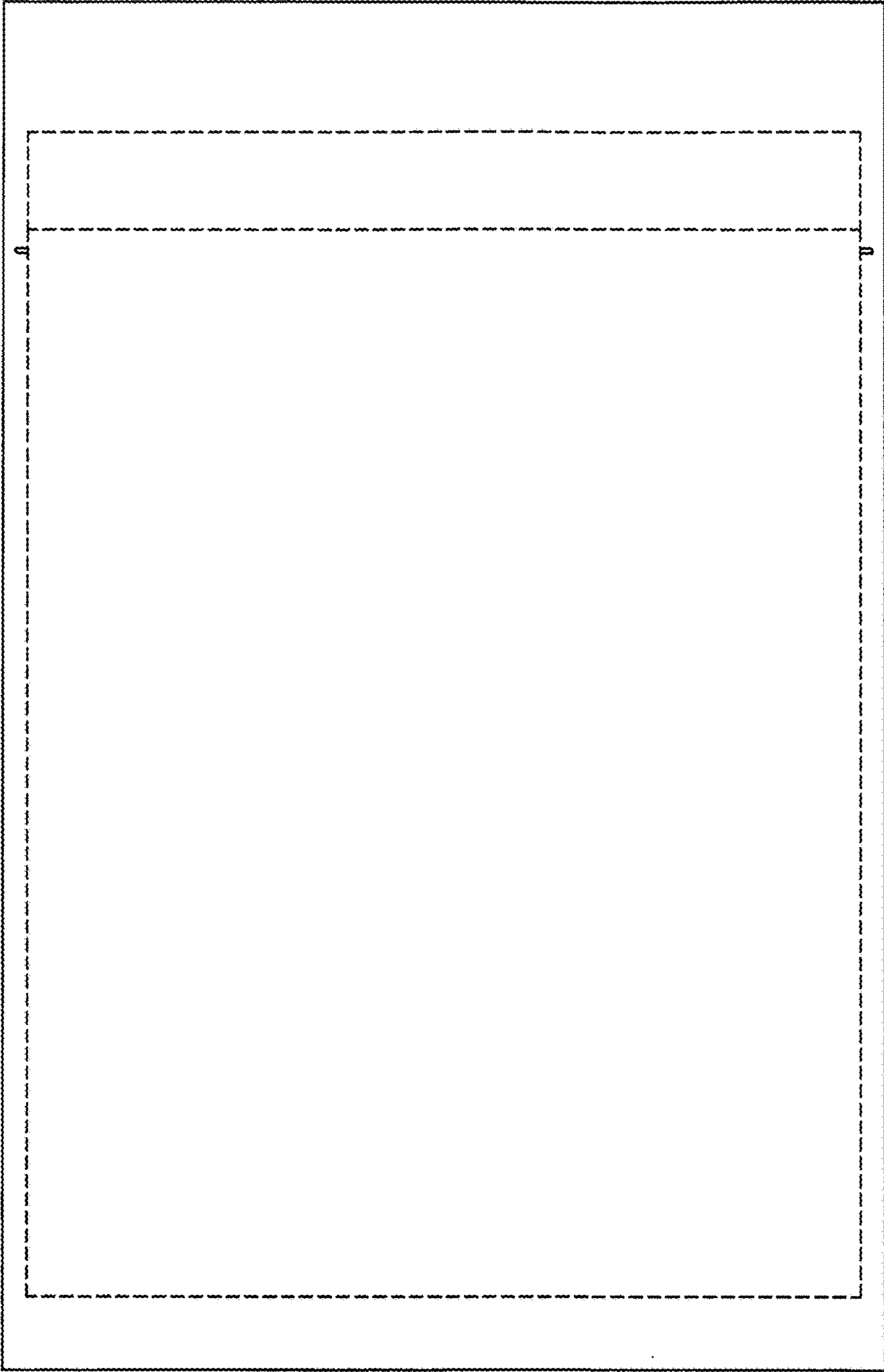


Fig. 9

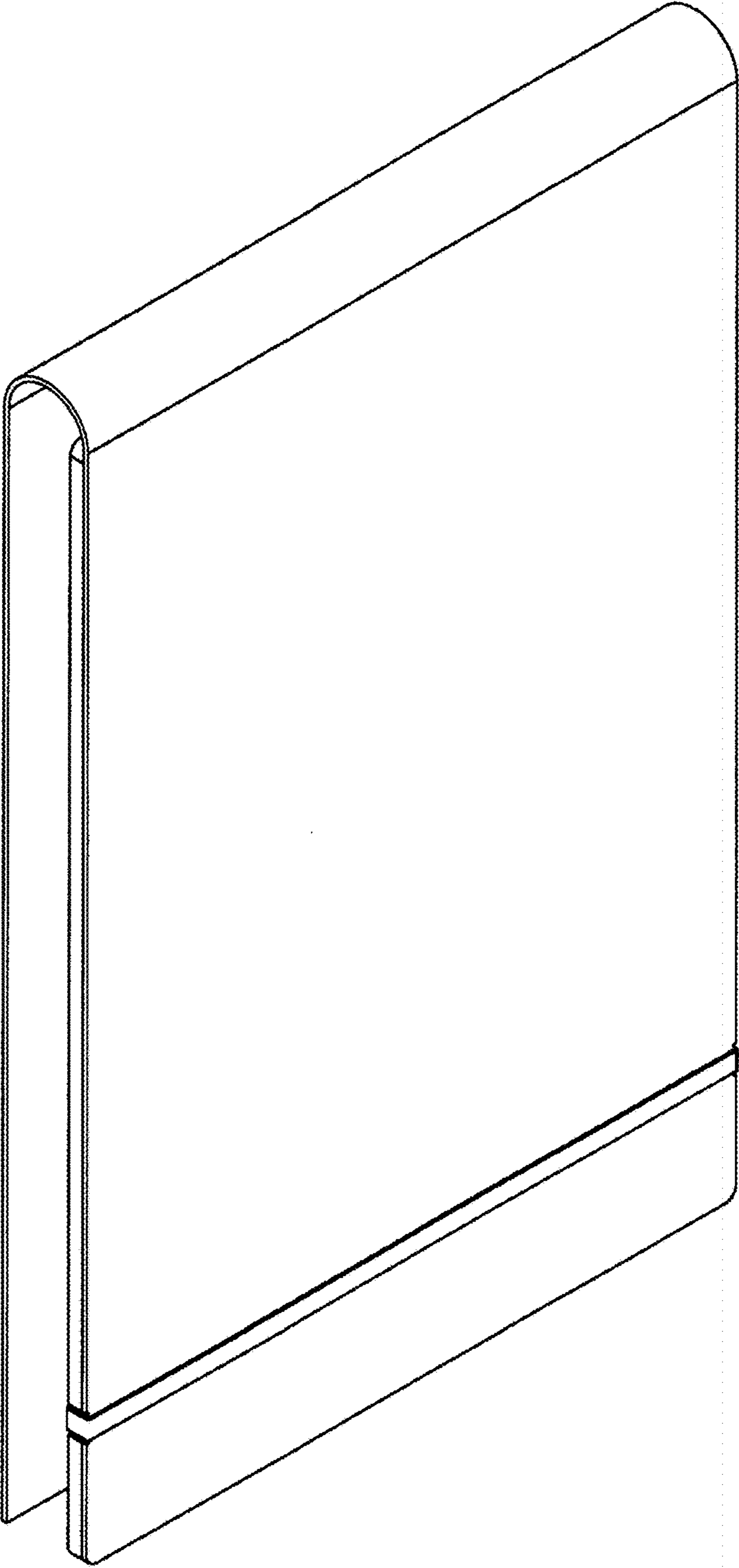


Fig. 10

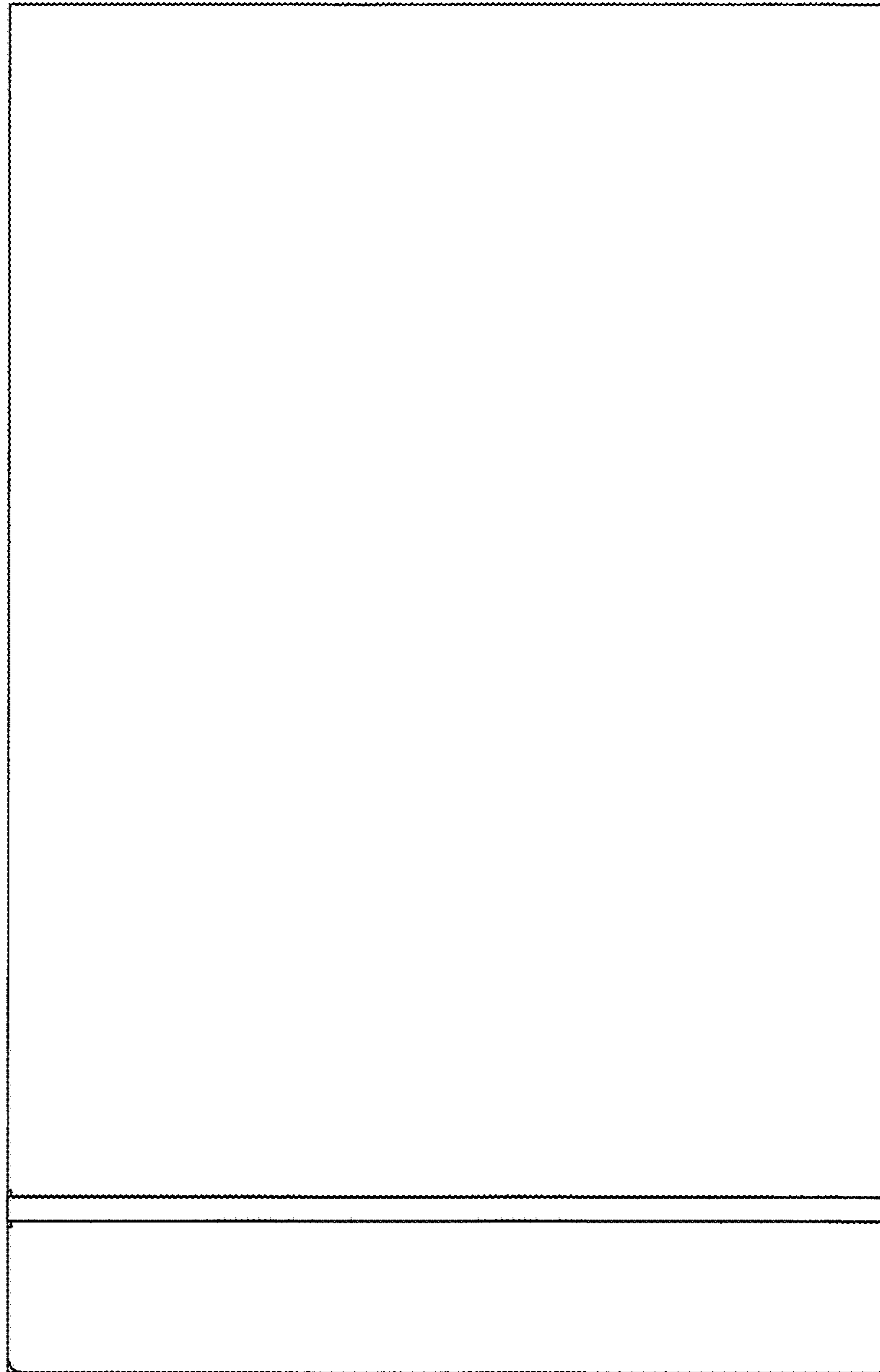


Fig. 11

