



US00D859521S

(12) **United States Design Patent** (10) **Patent No.:** **US D859,521 S**
Lin (45) **Date of Patent:** **** Sep. 10, 2019**

- (54) **PENCIL SHARPENER**
- (71) Applicant: **Xiasen Lin**, Taizhou (CN)
- (72) Inventor: **Xiasen Lin**, Taizhou (CN)
- (73) Assignee: **SUNWOOD HOLDING GROUP CO., LTD.**, Taizhou (CN)
- (**) Term: **15 Years**
- (21) Appl. No.: **29/612,553**
- (22) Filed: **Aug. 2, 2017**
- (51) **LOC (12) Cl.** **19-06**
- (52) **U.S. Cl.**
USPC **D19/73**
- (58) **Field of Classification Search**
USPC D19/72-74; D8/91, 93, 98-100
CPC B43L 23/00; B43L 23/002; B43L 23/006;
B43L 23/008; B43L 23/02; B43L 23/04;
B43L 23/06; B43L 23/08; B43L 23/085
See application file for complete search history.
- (56) **References Cited**

U.S. PATENT DOCUMENTS

- 1,905,608 A * 4/1933 Schoenfeldt B43L 23/008
144/28.72
- 2,242,458 A * 5/1941 Dessonaz B43L 23/006
144/28.1
- 2,653,576 A * 9/1953 Slattery B43L 23/006
30/455
- D191,247 S * 8/1961 McWilliams D19/73
- D329,151 S * 9/1992 Baer D34/39
- D377,666 S * 1/1997 Yuen D19/65
- D406,173 S 2/1999 Chen
- 6,283,625 B2 * 9/2001 Frankel A47J 43/0716
366/146
- 6,286,218 B1 * 9/2001 Luttgens B43L 23/08
144/28.11
- D479,666 S * 9/2003 Barker D7/378

- 6,637,481 B2 * 10/2003 Mak B43L 23/02
144/28.5
- 7,229,038 B1 * 6/2007 Givonetti B43L 23/006
241/95
- D559,323 S * 1/2008 Peterson D19/73
- D559,324 S * 1/2008 Peterson D19/73
- D580,985 S * 11/2008 Farnworth D19/73
- D580,986 S * 11/2008 Farnworth D19/73
- 7,546,858 B2 * 6/2009 Peterson B43L 23/002
144/28.2
- D616,942 S * 6/2010 Farnworth D19/73
- D622,319 S * 8/2010 Stukenkemper D19/73
- D622,772 S 8/2010 Farnworth et al.

(Continued)

FOREIGN PATENT DOCUMENTS

- CN 302111419 S 10/2012
- CN 302902651 S 8/2014

(Continued)

Primary Examiner — Elizabeth A. Albert
(74) *Attorney, Agent, or Firm* — Minder Law Group;
Willy H. Wong

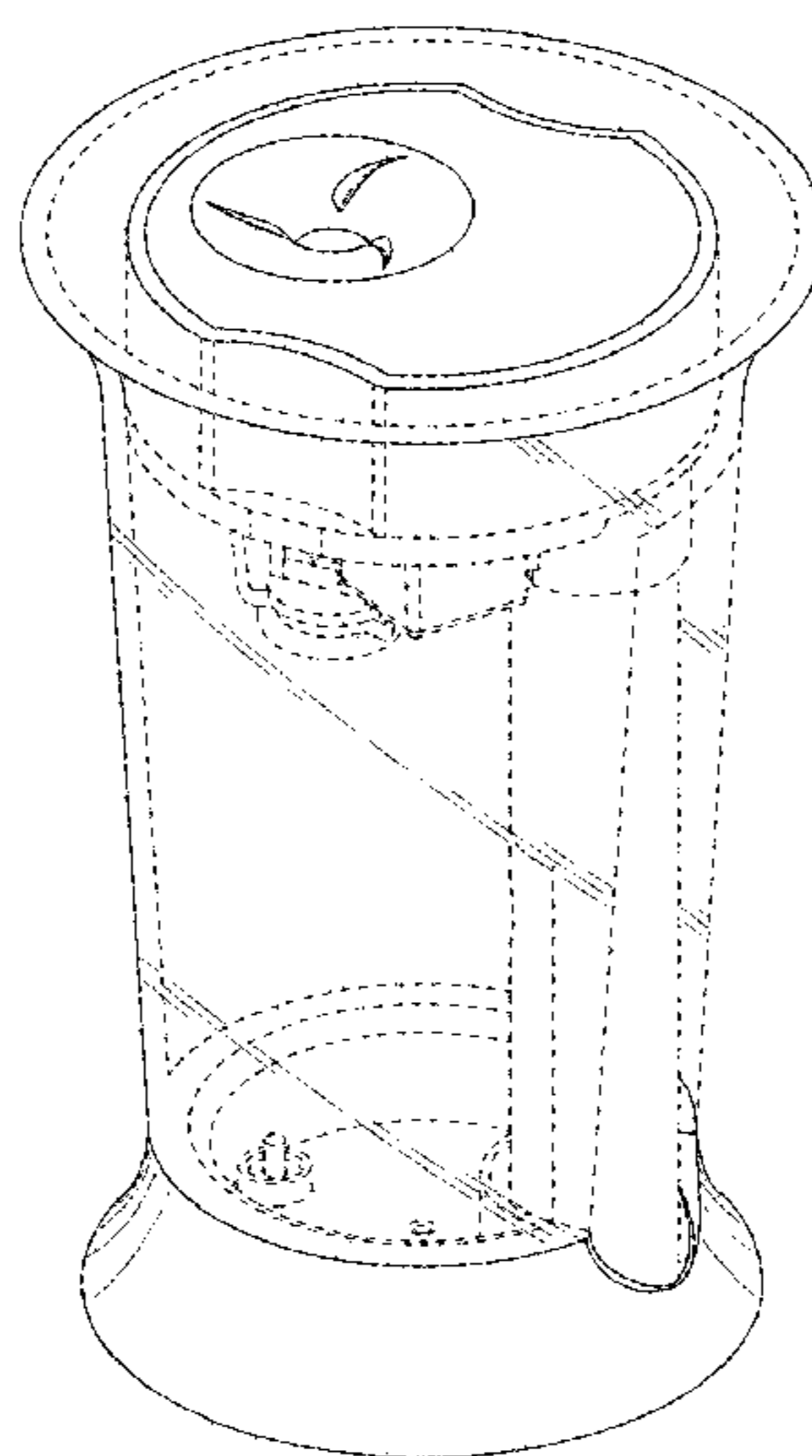
(57) **CLAIM**

The ornamental design for a pencil sharpener, as shown and described.

DESCRIPTION

FIG. 1 is a front view of a pencil sharpener showing our new design;
FIG. 2 is a left side view thereof;
FIG. 3 is a rear view thereof;
FIG. 4 is a right side view thereof;
FIG. 5 is a top view thereof;
FIG. 6 is a bottom view thereof; and,
FIG. 7 is a perspective view thereof.
The broken lines are included to show portions of the pencil sharpener that form no part of the claimed design.

1 Claim, 6 Drawing Sheets



(56)

References Cited

U.S. PATENT DOCUMENTS

8,196,624 B2 * 6/2012 Farnworth B43L 23/02
144/28.72
8,459,317 B2 * 6/2013 Hu B43L 23/002
144/28.1
2016/0263934 A1 * 9/2016 Seferi B43L 23/008
2017/0313122 A1 * 11/2017 Kuo B43L 23/008

FOREIGN PATENT DOCUMENTS

CN 303198827 S 5/2015
CN 303266951 S 7/2015
CN 303298574 S 7/2015
CN 303359095 S 9/2015
CN 303692393 S 6/2016
DE 402011004753-0011 12/2011
DE 402014203376-0004 3/2015
EM 000593603 10/2006

* cited by examiner

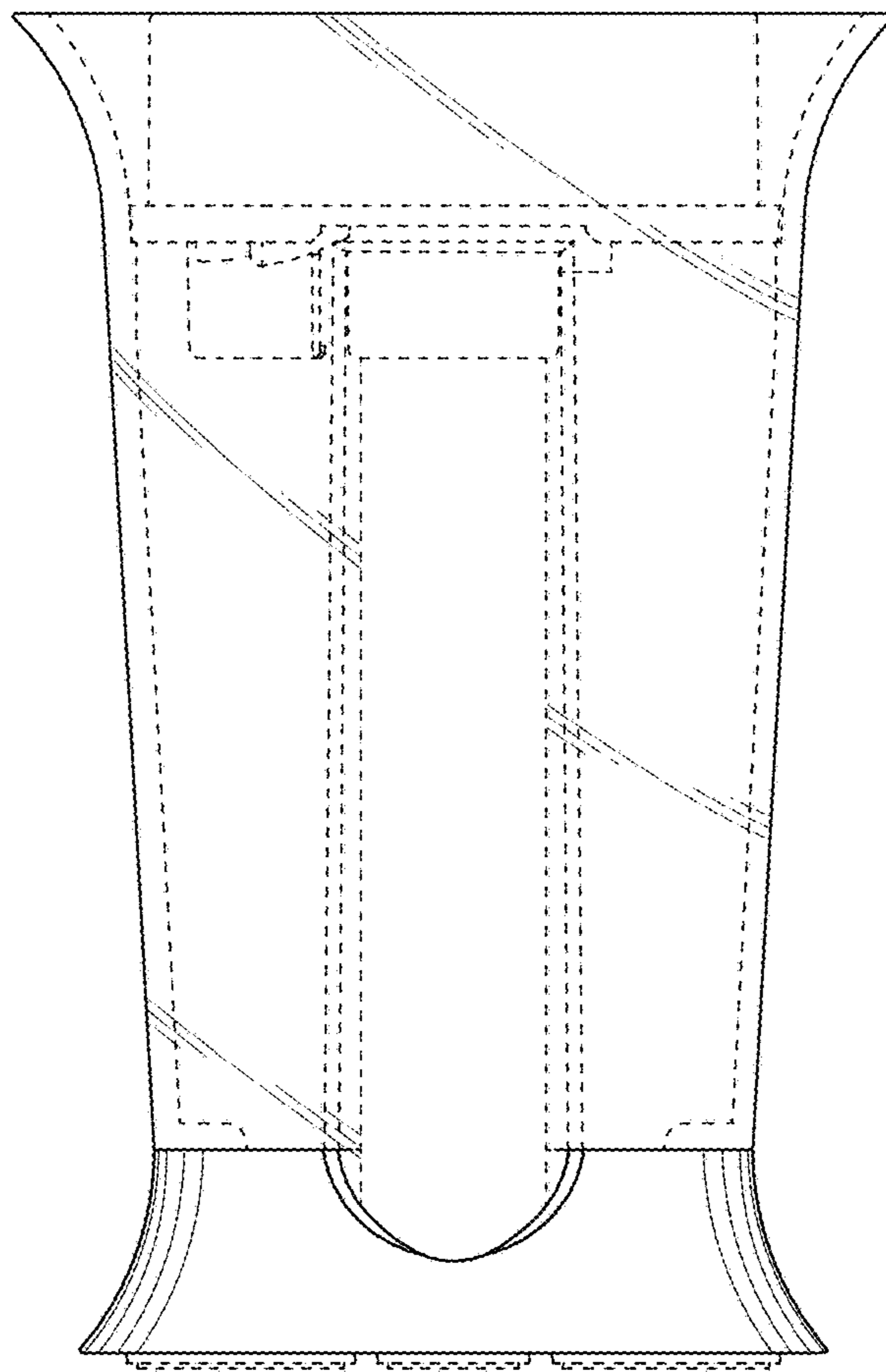


FIG 1

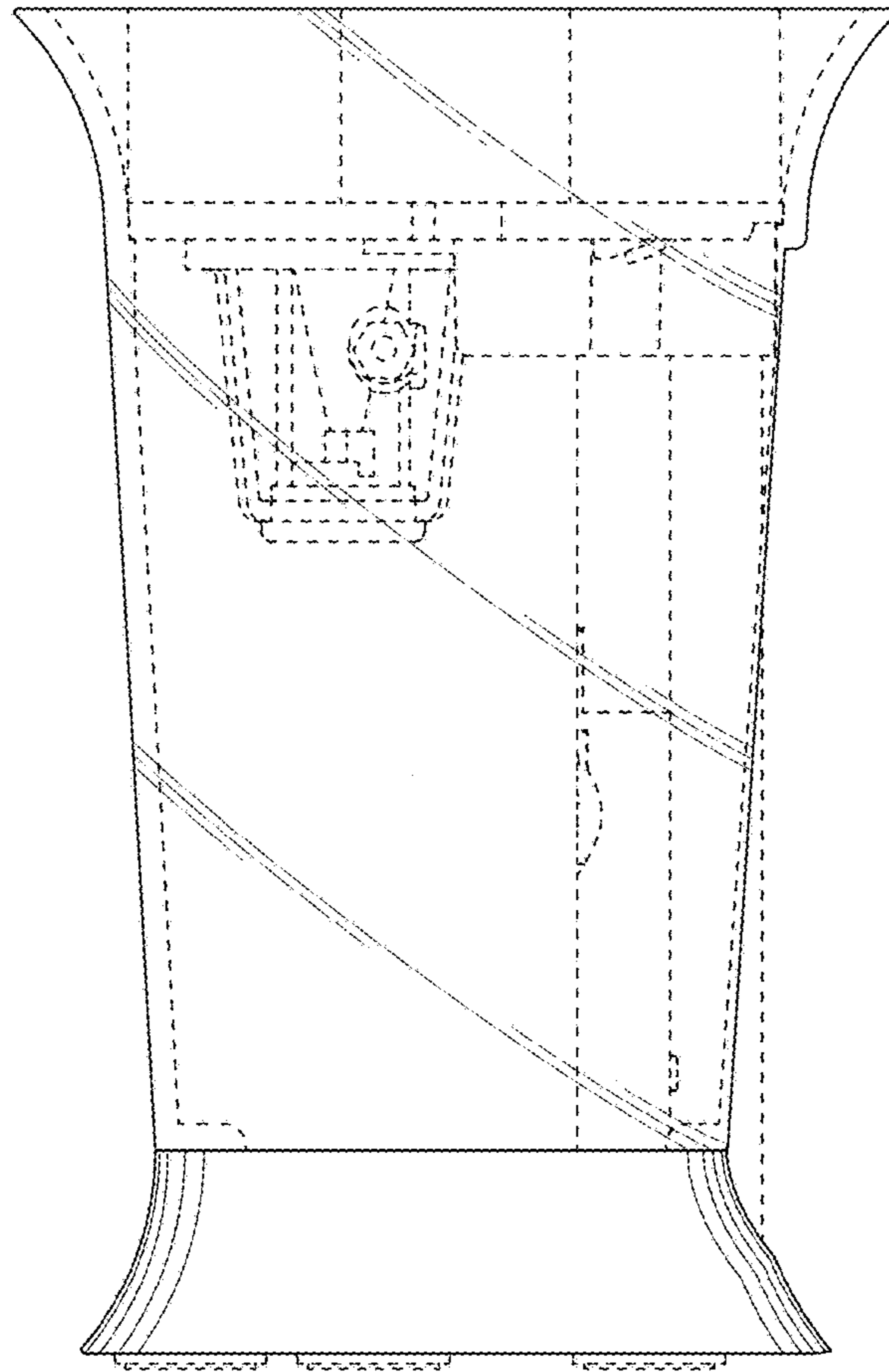


FIG 2

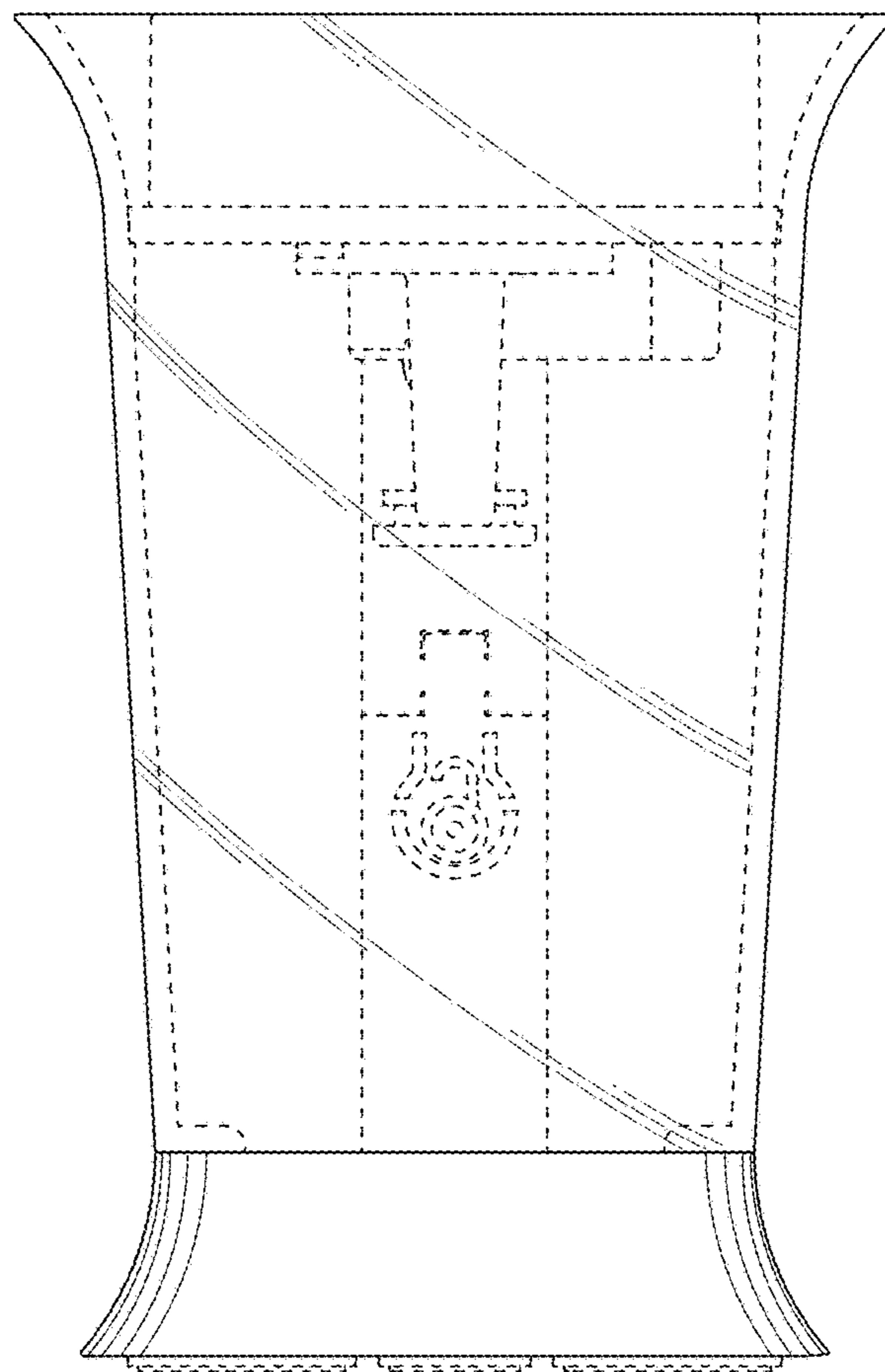


FIG 3

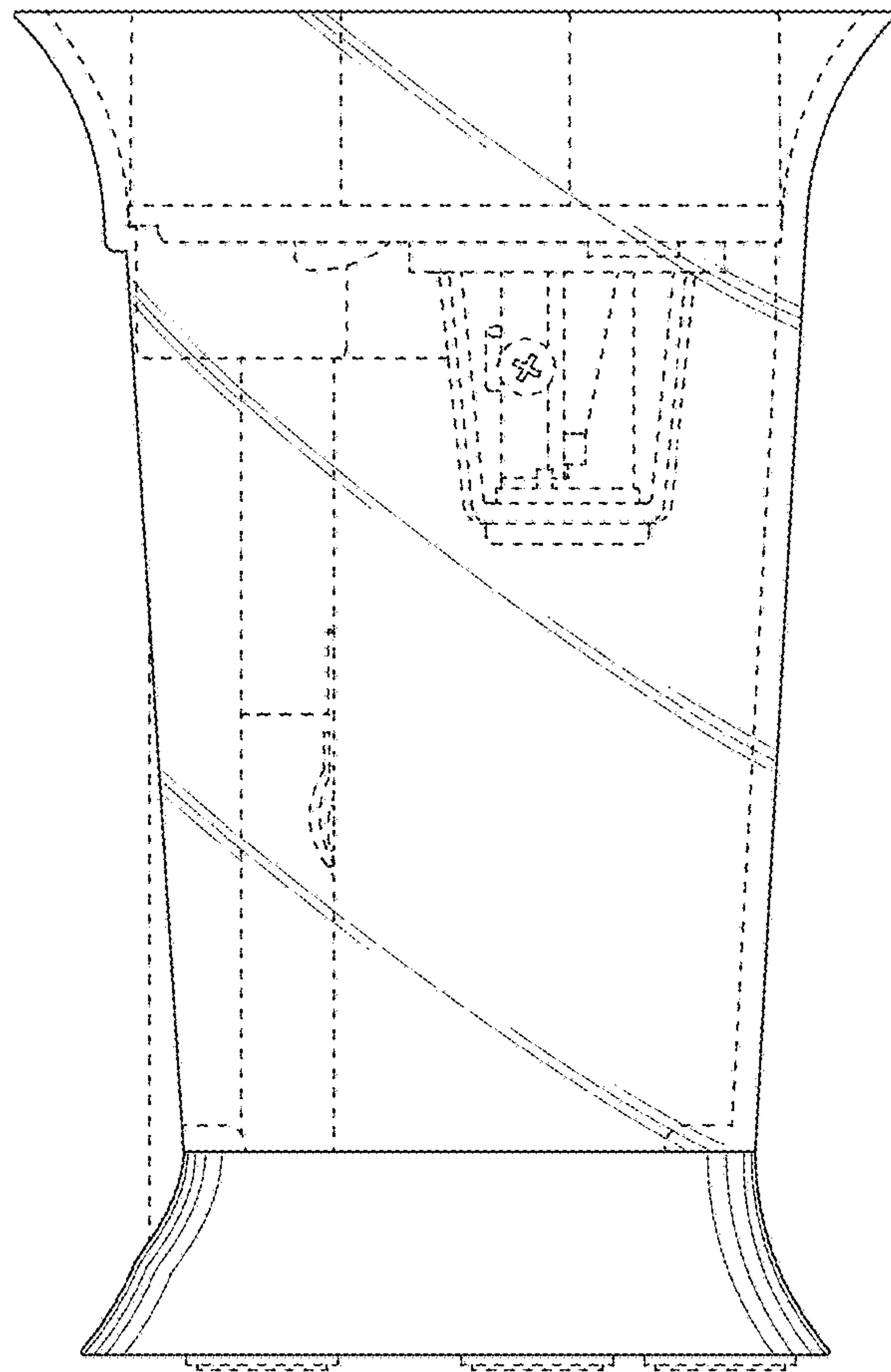


FIG 4

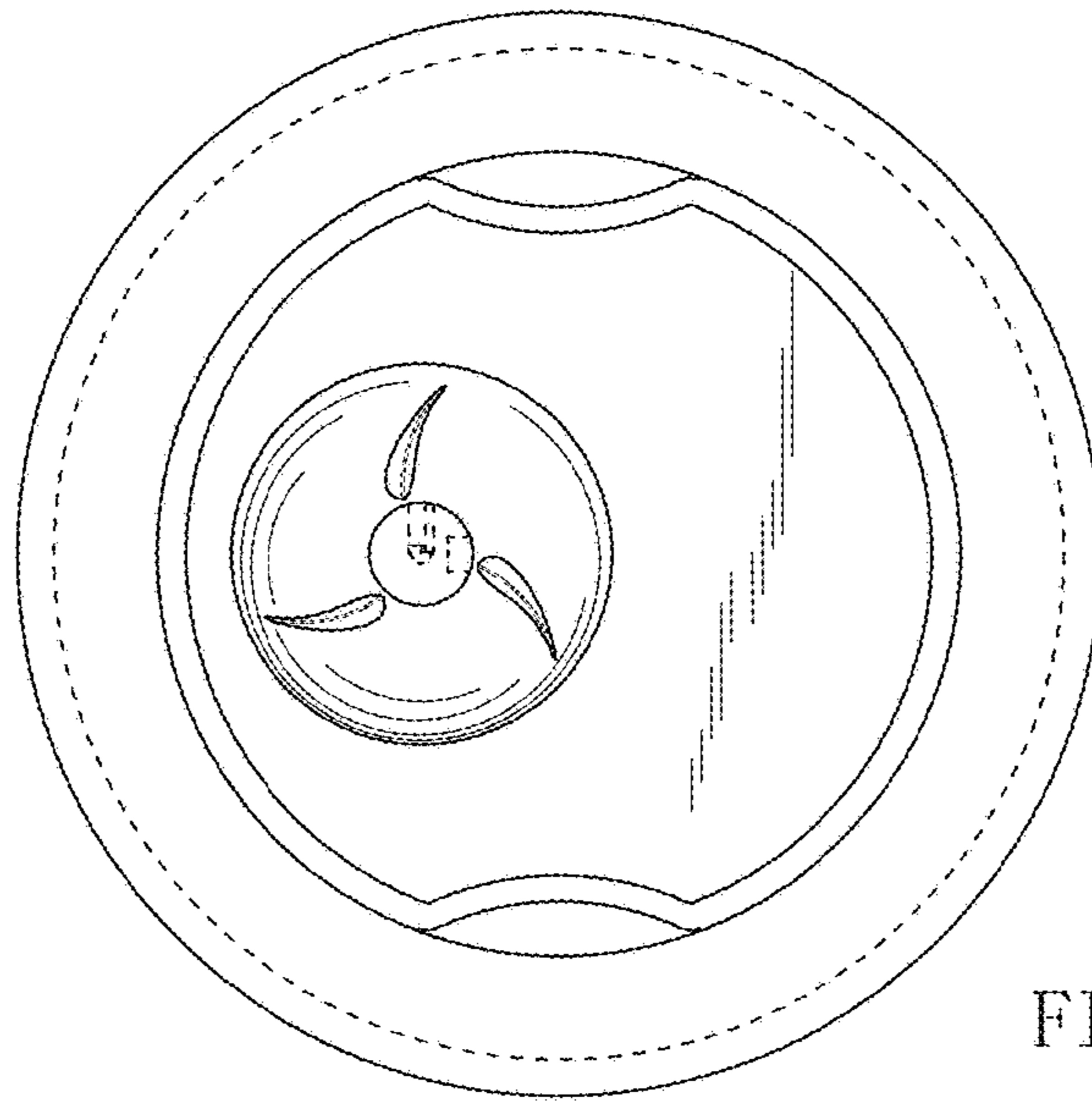


FIG 5

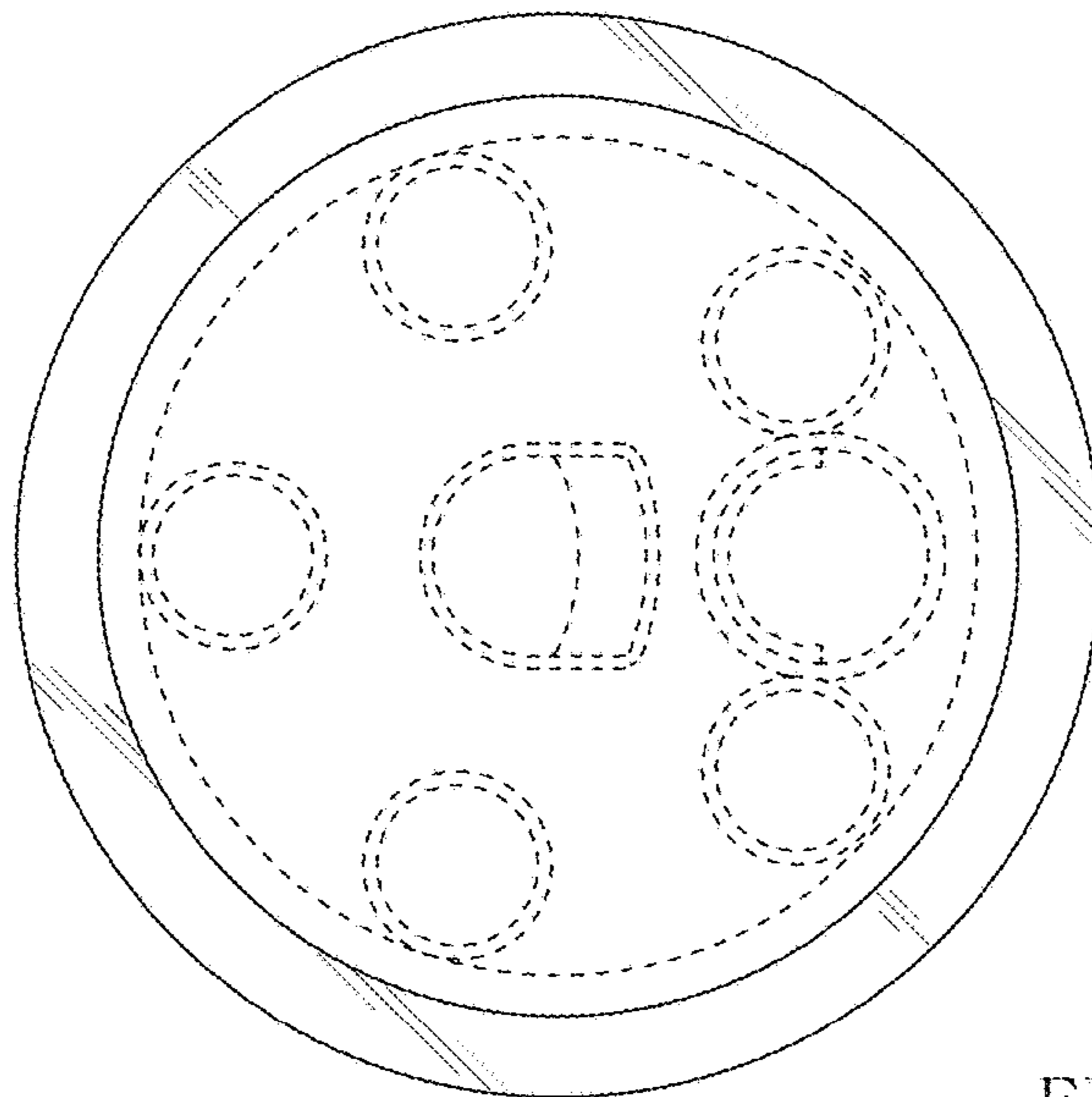


FIG 6

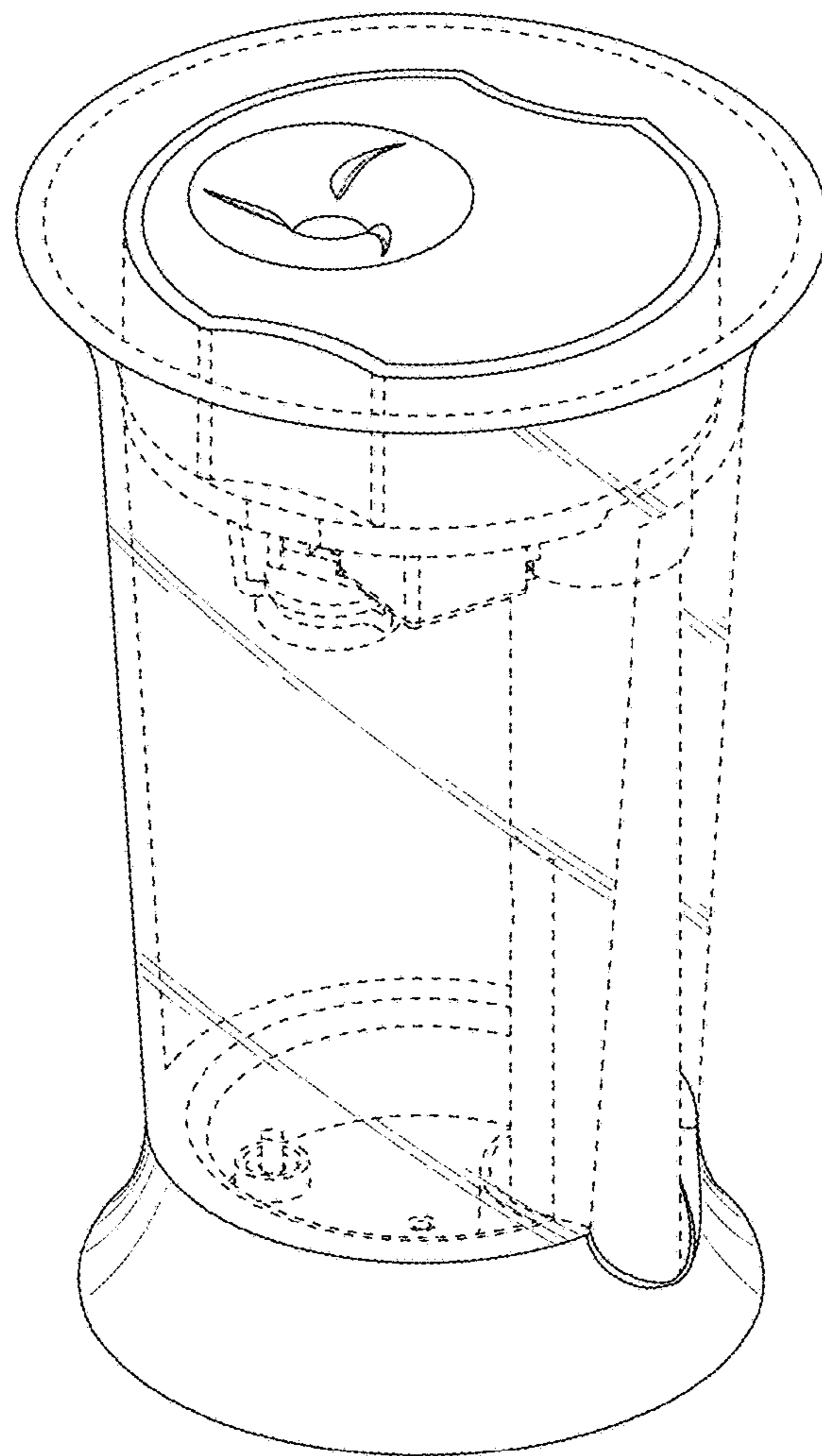


FIG 7