



US00D859517S

(12) **United States Design Patent** (10) **Patent No.:** **US D859,517 S**
Meyer et al. (45) **Date of Patent:** **** Sep. 10, 2019**

(54) **SIDE-OPENING PRINTER WITH FRONT INTERFACE SCREEN**

(71) Applicants: **Daniel B. Meyer**, Lake Oswego, OR (US); **Stacy Foos**, Milwaukie, OR (US); **Tim Martin**, Portland, OR (US); **Robert Martell**, Portland, OR (US); **Ben Bruns**, Beaverton, OR (US); **James Owen**, Portland, OR (US)

(72) Inventors: **Daniel B. Meyer**, Lake Oswego, OR (US); **Stacy Foos**, Milwaukie, OR (US); **Tim Martin**, Portland, OR (US); **Robert Martell**, Portland, OR (US); **Ben Bruns**, Beaverton, OR (US); **James Owen**, Portland, OR (US)

(**) Term: **15 Years**

(21) Appl. No.: **29/614,326**

(22) Filed: **Aug. 17, 2017**

(51) **LOC (12) Cl.** **18-99**

(52) **U.S. Cl.**
USPC **D18/19**

(58) **Field of Classification Search**
USPC D18/19, 14, 53, 50, 54, 56, 59, 36, 38, D18/39, 40, 41, 45, 34.4, 34.5, 34.6;
(Continued)

(56) **References Cited**

U.S. PATENT DOCUMENTS

D523,072 S * 6/2006 Lee D18/14
D658,227 S * 4/2012 Schoenert D14/331
(Continued)

FOREIGN PATENT DOCUMENTS

CA 2815200 A1 * 11/2013 B41J 3/4075
EP 2628601 A1 * 8/2013 B41J 15/02
WO WO-2018180124 A1 * 10/2018 B41J 3/4075

OTHER PUBLICATIONS

Graphic Products. Link: <https://store.graphicproducts.com/en-us/duralabel/printer-supplies/industrial-safety-printers/dlkodiak>. Visited Mar. 27, 2019. DuraLabel Kodiak printer. (Year: 2019).*

(Continued)

Primary Examiner — Susan Bennett Hattan
Assistant Examiner — Lauren D McVey
(74) *Attorney, Agent, or Firm* — Mohr Intellectual Property Law Solutions, PC

(57) **CLAIM**

We claim the ornamental design for a side-opening printer with front interface screen, as shown and described.

DESCRIPTION

FIG. 1 is a perspective view of a side-opening printer with front interface screen where the printer and interface screen are in a closed position.

FIG. 2 is a front elevation view of the printer in FIG. 1.

FIG. 3 is a left-side elevation view of the printer in FIG. 1.

FIG. 4 is a right-side elevation view of the printer in FIG. 1.

FIG. 5 is a top plan view of the printer in FIG. 1.

FIG. 6 is a bottom plan view of the printer in FIG. 1.

FIG. 7 is a rear elevation view of the printer in FIG. 1.

FIG. 8 is a perspective view of a side-opening printer with front interface screen where the printer and interface screen are in an alternate opened position.

FIG. 9 is a front elevation view of the printer in FIG. 8.

FIG. 10 is a left-side elevation view of the printer in FIG. 8.

FIG. 11 is a right-side elevation view of the printer in FIG. 8.

FIG. 12 is a top plan view of the printer in FIG. 8.

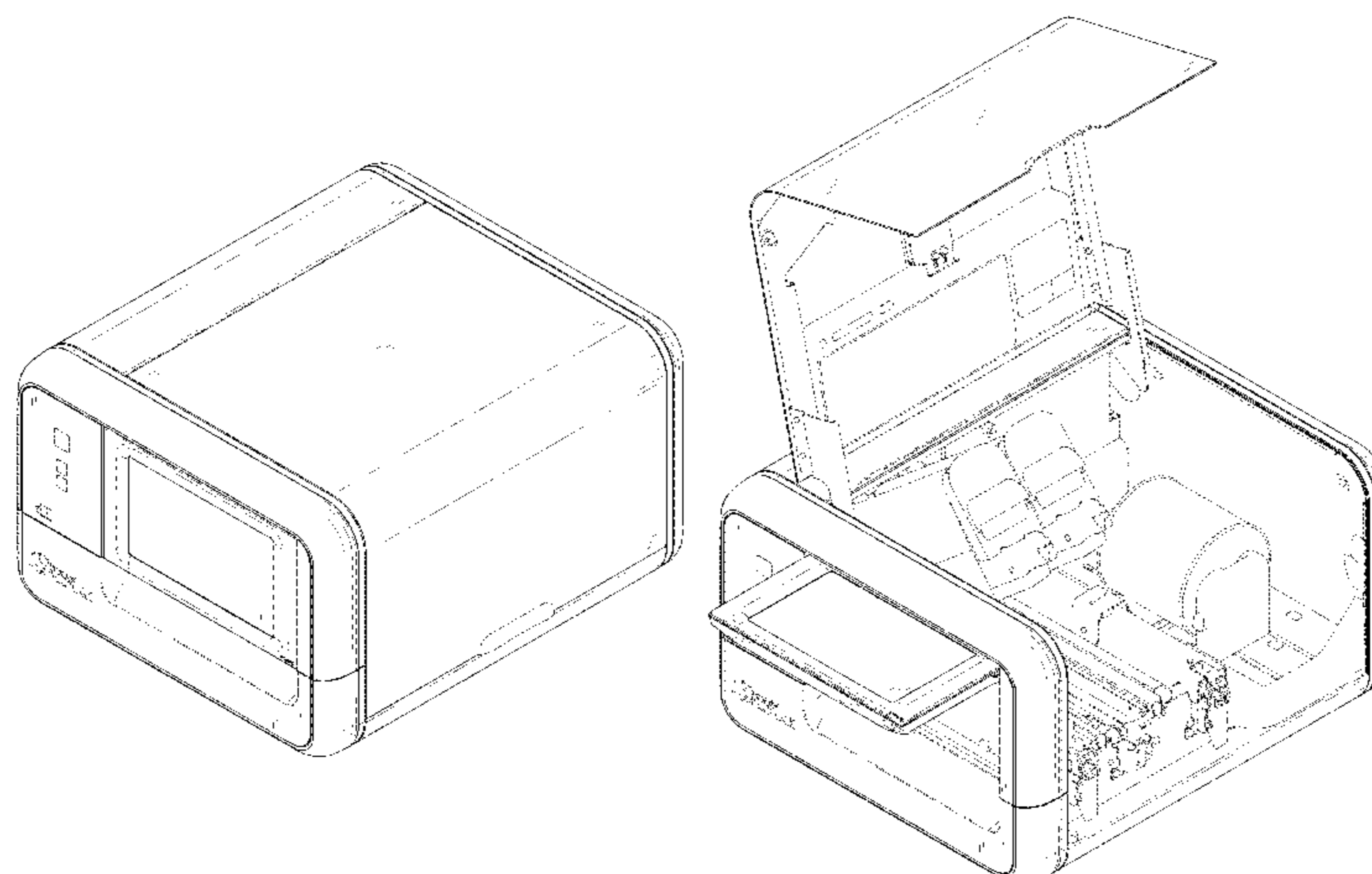
FIG. 13 is a bottom plan view of the printer in FIG. 8; and,

FIG. 14 is a rear elevation view of the printer in FIG. 8.

The broken lines that are immediately adjacent to the shaded areas depict the bounds of the claimed design, while all other broken lines are directed to environment. The broken lines form no part of the claimed design.

The “DuraLabel KODIAK” lettering and icon forming part of the claimed design is a registered trademark of GraphicProducts.

1 Claim, 14 Drawing Sheets



(58) **Field of Classification Search**

USPC D14/314, 332, 348-349, 351, 352;
D19/68
CPC B41J 3/4075; B65C 11/00; B65C 11/02;
B65C 11/0205; B65C 11/021; B65C
11/0215; B65C 11/0221; B65C 11/0226;
B65C 11/0231; B65C 11/0236; B65C
11/0242; B65C 11/0252; B65C 11/0257;
B65C 11/0268; B65C 11/0273; B65C
11/0284; B65C 11/0289; B65C 11/0294;
B65C 11/04; B65C 11/046; B65C 11/06;
B65C 11/062; B65C 11/064; B65C
11/066; B65C 11/068

See application file for complete search history.

(56) **References Cited**

U.S. PATENT DOCUMENTS

D754,763 S * 4/2016 Kraibuhler D15/122
D799,588 S * 10/2017 Nanno D18/19

D820,351 S * 6/2018 Maeda D18/19
D822,757 S * 7/2018 Landa D18/18
D829,277 S * 9/2018 Seki D18/50
D838,311 S * 1/2019 Maeda D18/19
D842,925 S * 3/2019 Nagano D18/39
2011/0103869 A1* 5/2011 Shirotori B41J 3/4075
400/621
2018/0056686 A1* 3/2018 Zeleny B41J 2/175
2018/0111397 A1* 4/2018 Hirabayashi B41J 11/42
2019/0009582 A1* 1/2019 Kanamura B41J 11/703

OTHER PUBLICATIONS

YouTube. Link: <https://www.youtube.com/watch?v=yk4dvf-65gw>.
Nov. 21, 2017. Loading Supply and Ribbon into DuraLabel Kodiak
by Graphic Products. (Year: 2017).*
YouTube. Link: <https://www.youtube.com/watch?v=5QLGV7INmSM>.
Jan. 12, 2016. The DuraLabel Lineup by Graphic Products. (Year:
2016).*

* cited by examiner

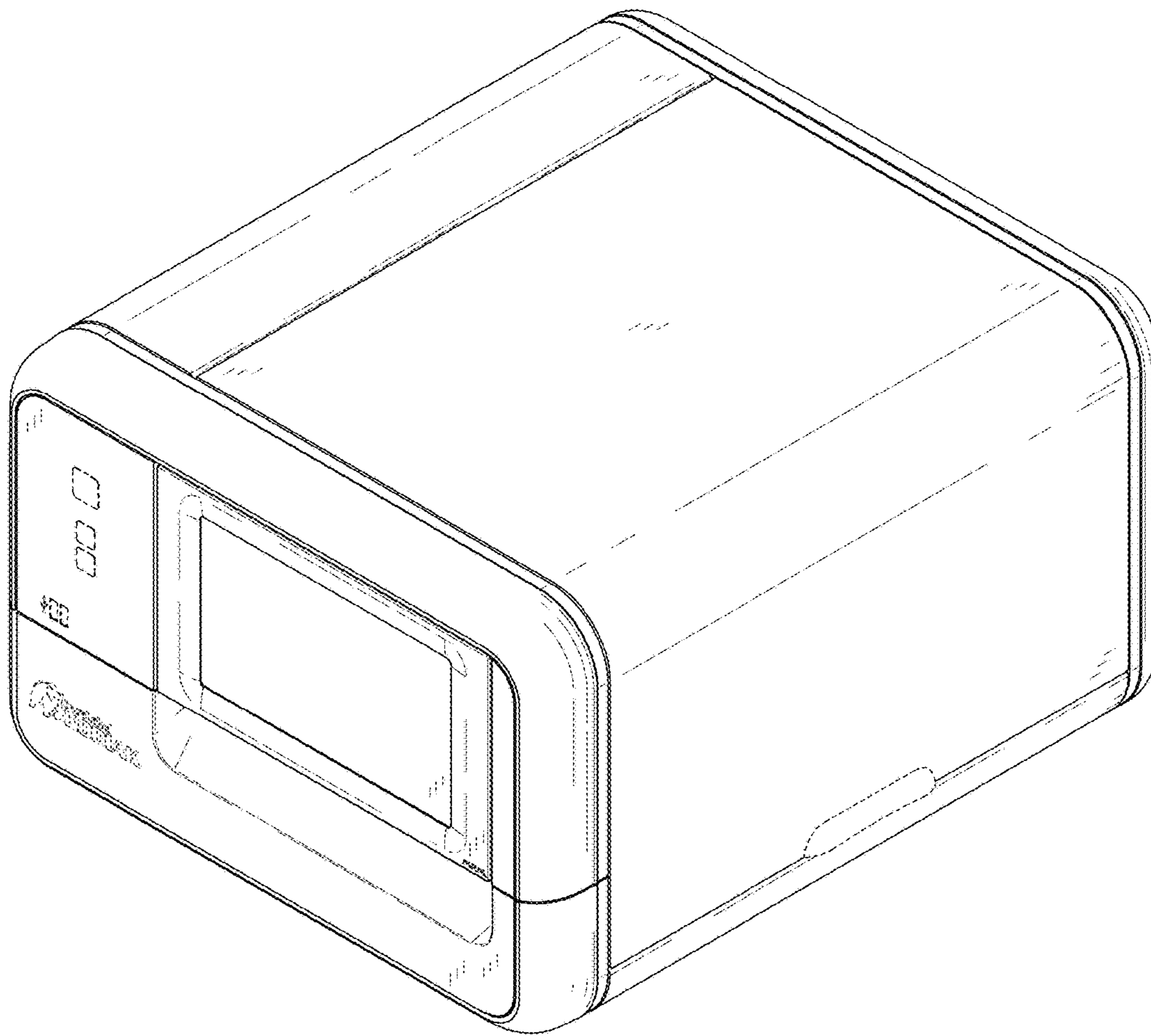


FIG. 1

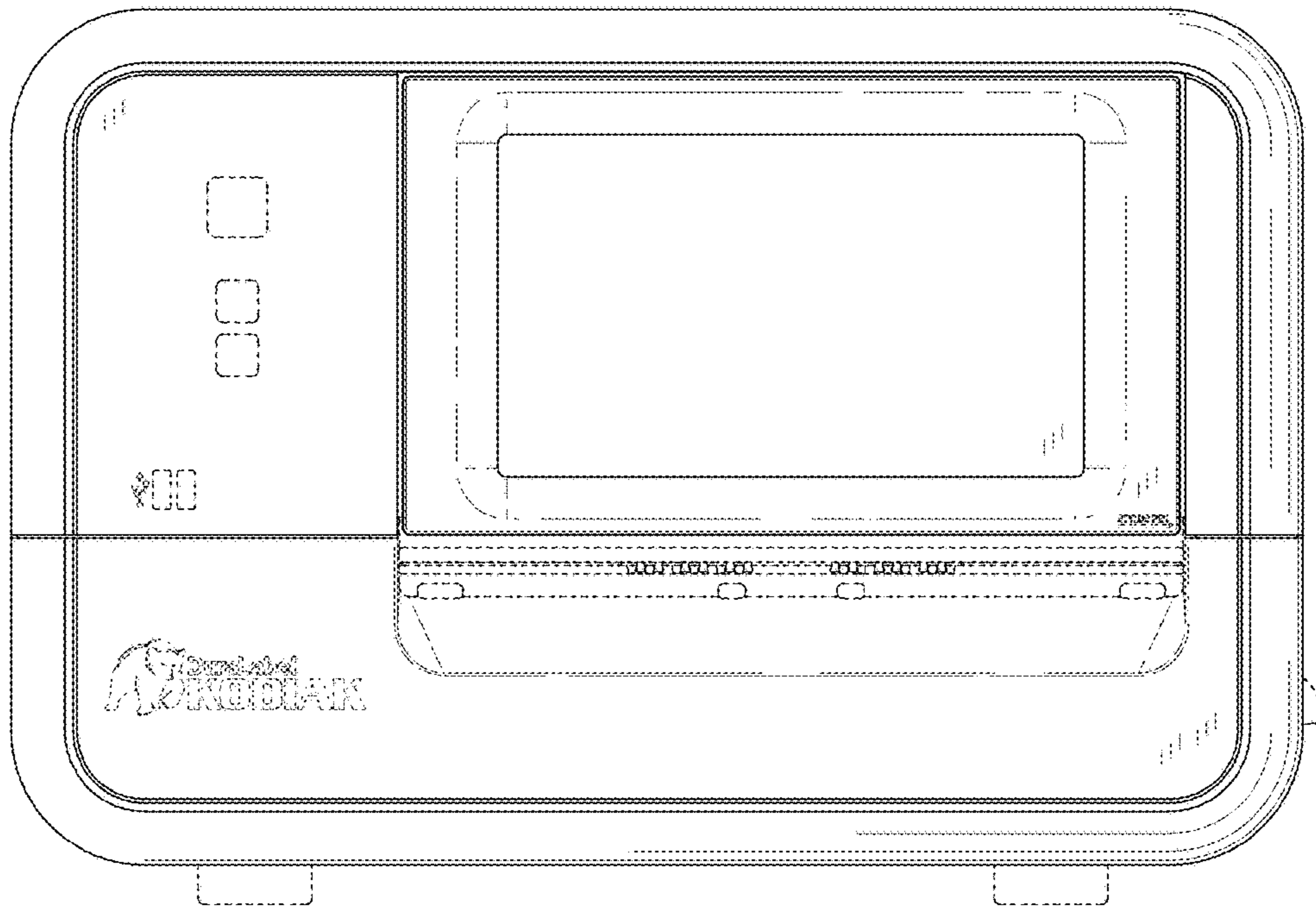


FIG. 2

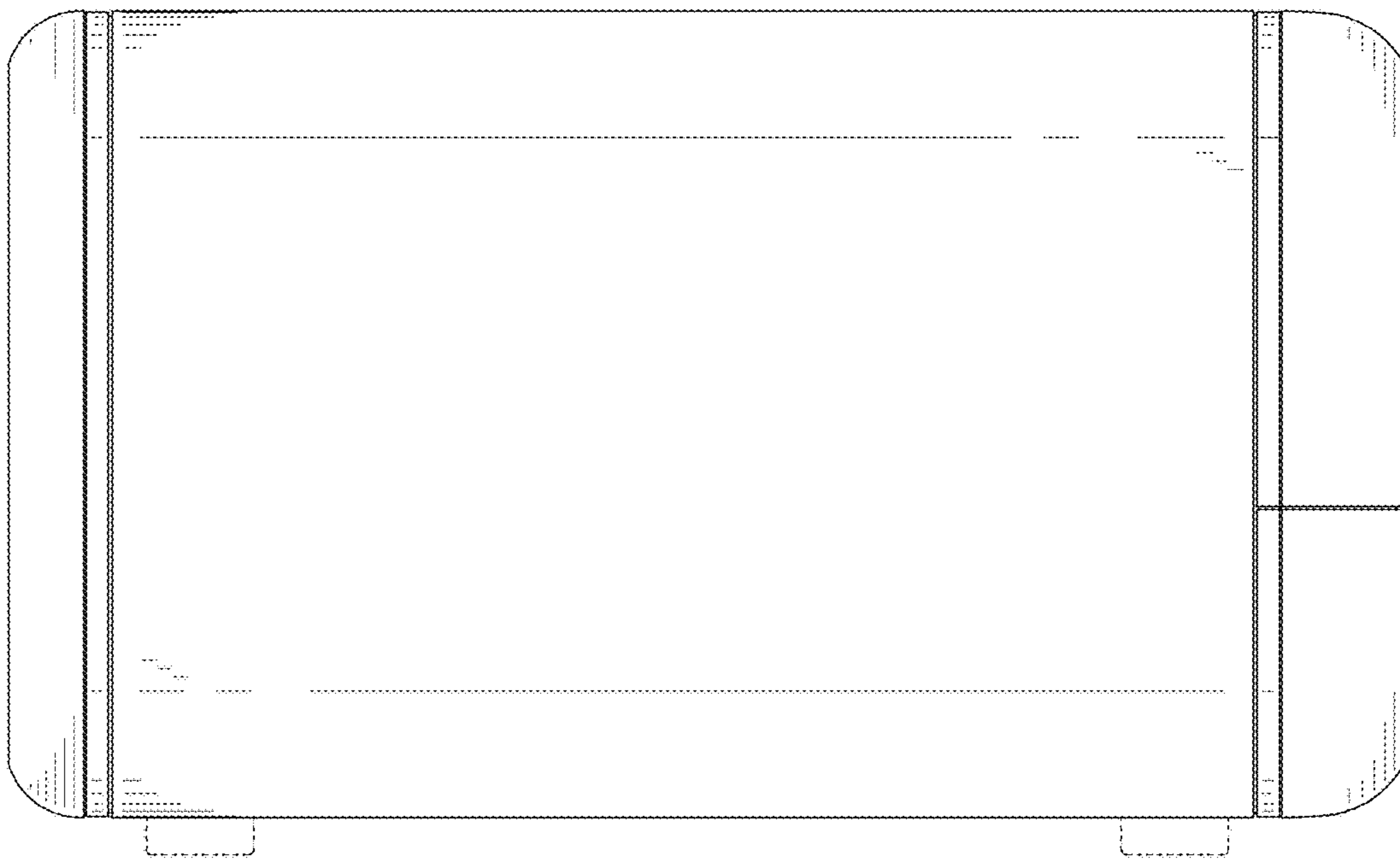


FIG. 3

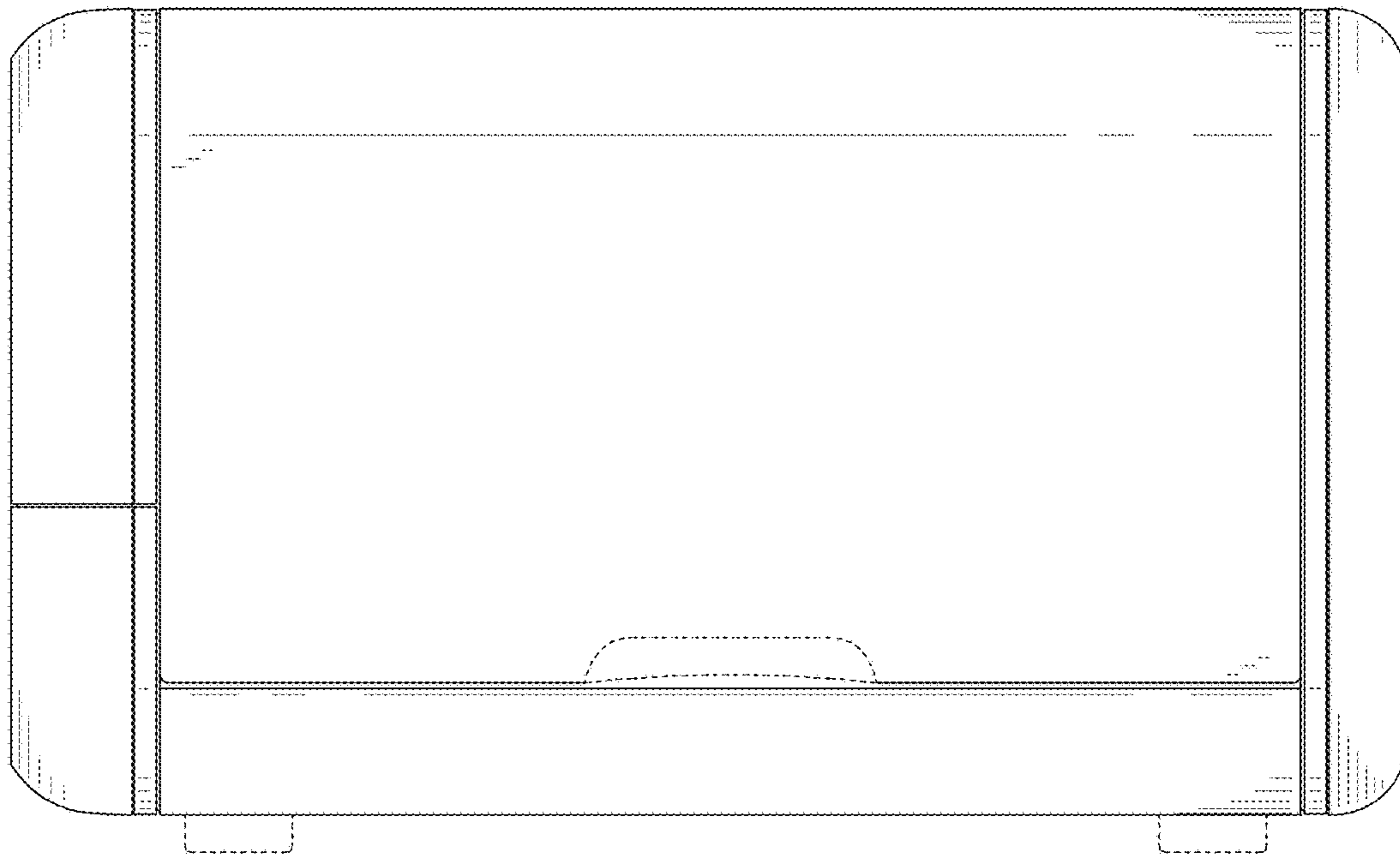


FIG. 4

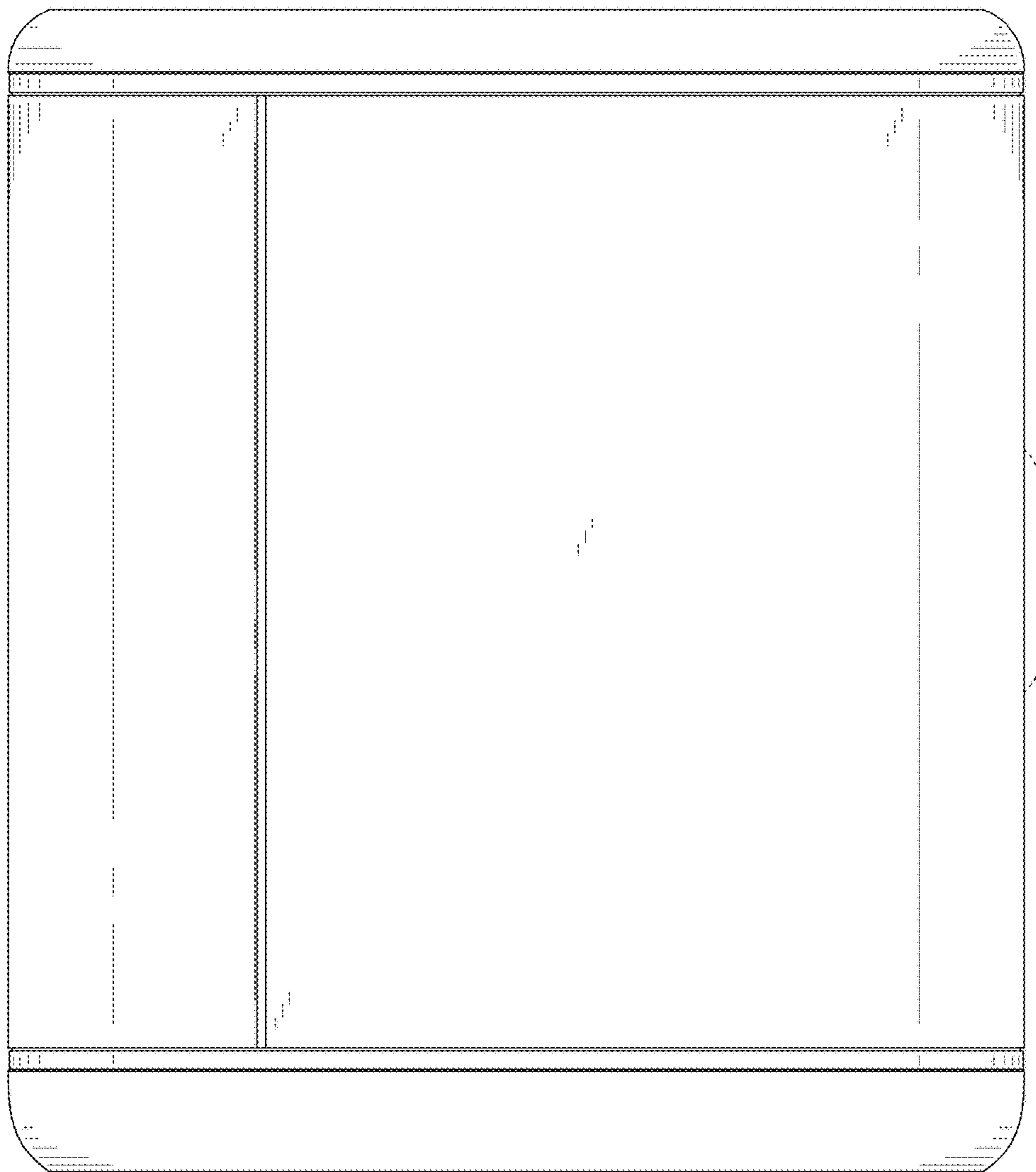


FIG. 5

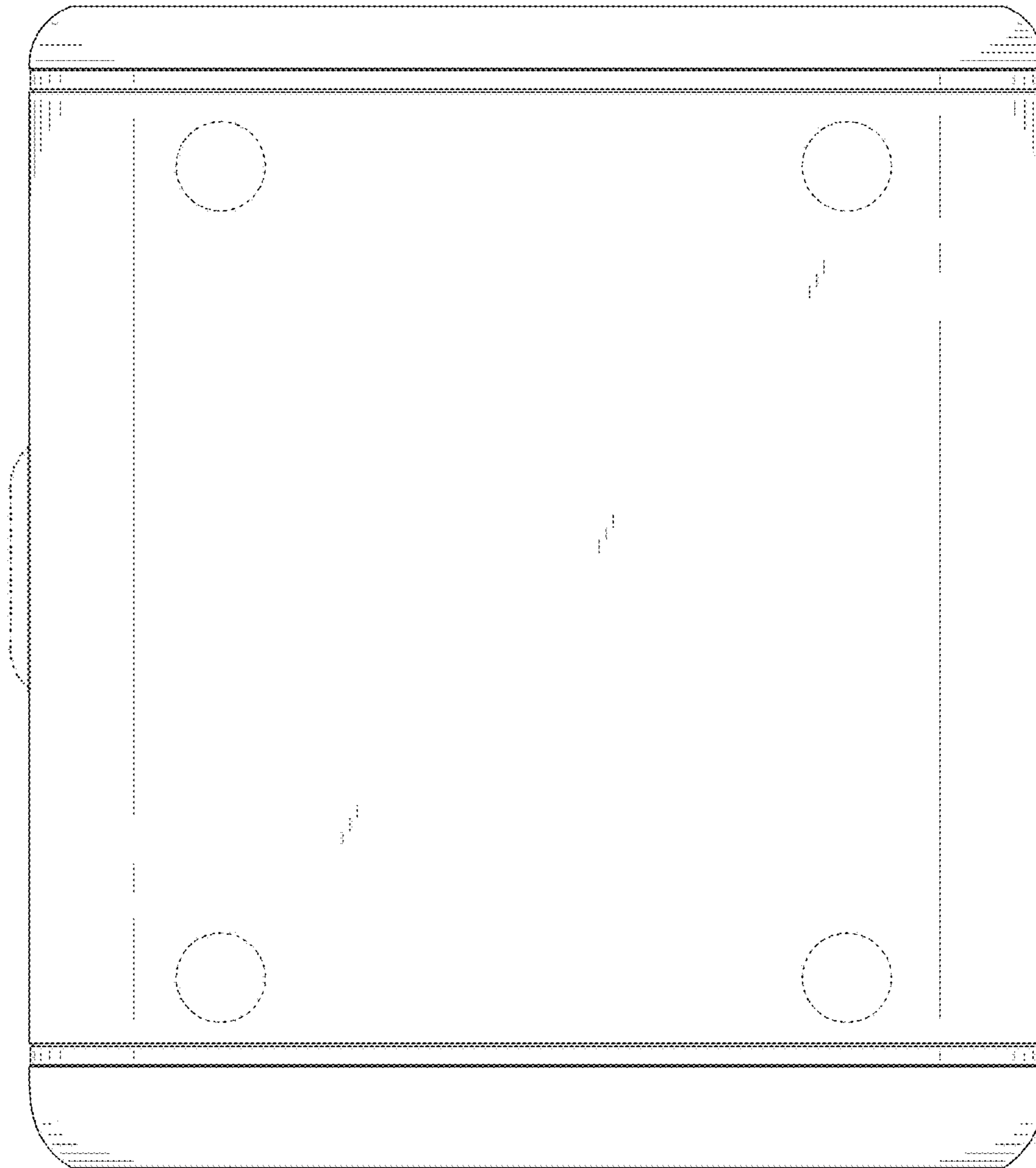


FIG. 6

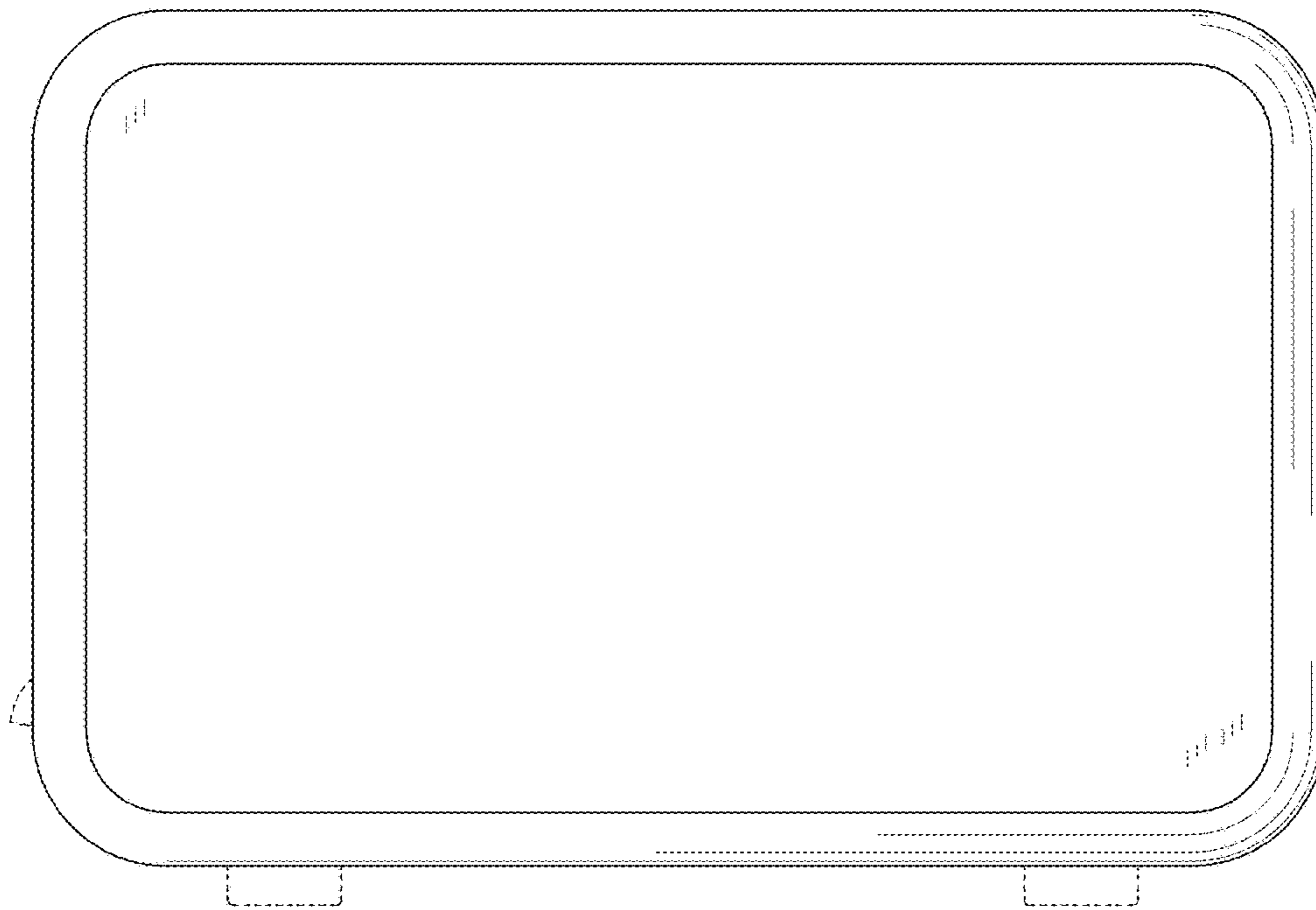


FIG. 7

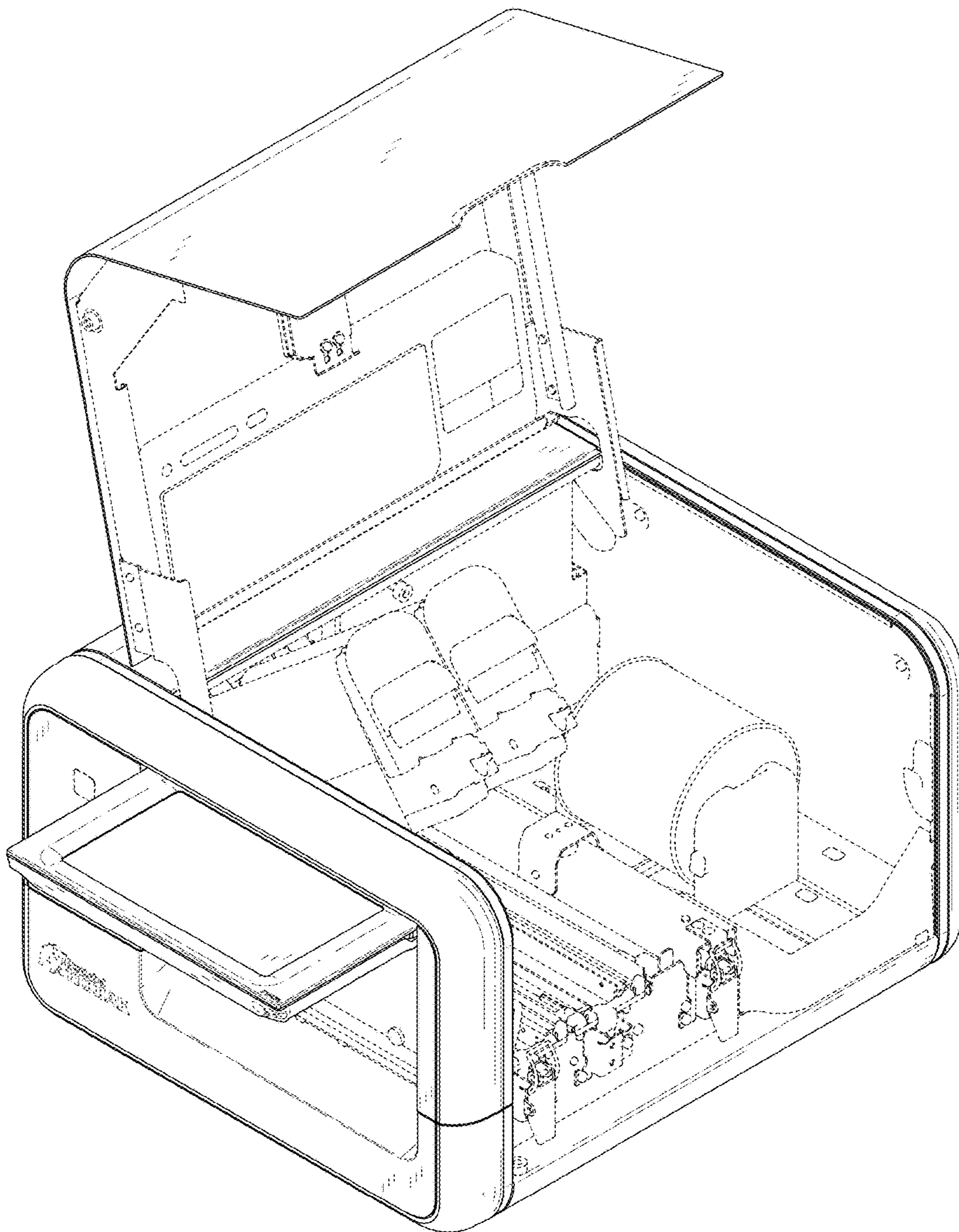


FIG. 8

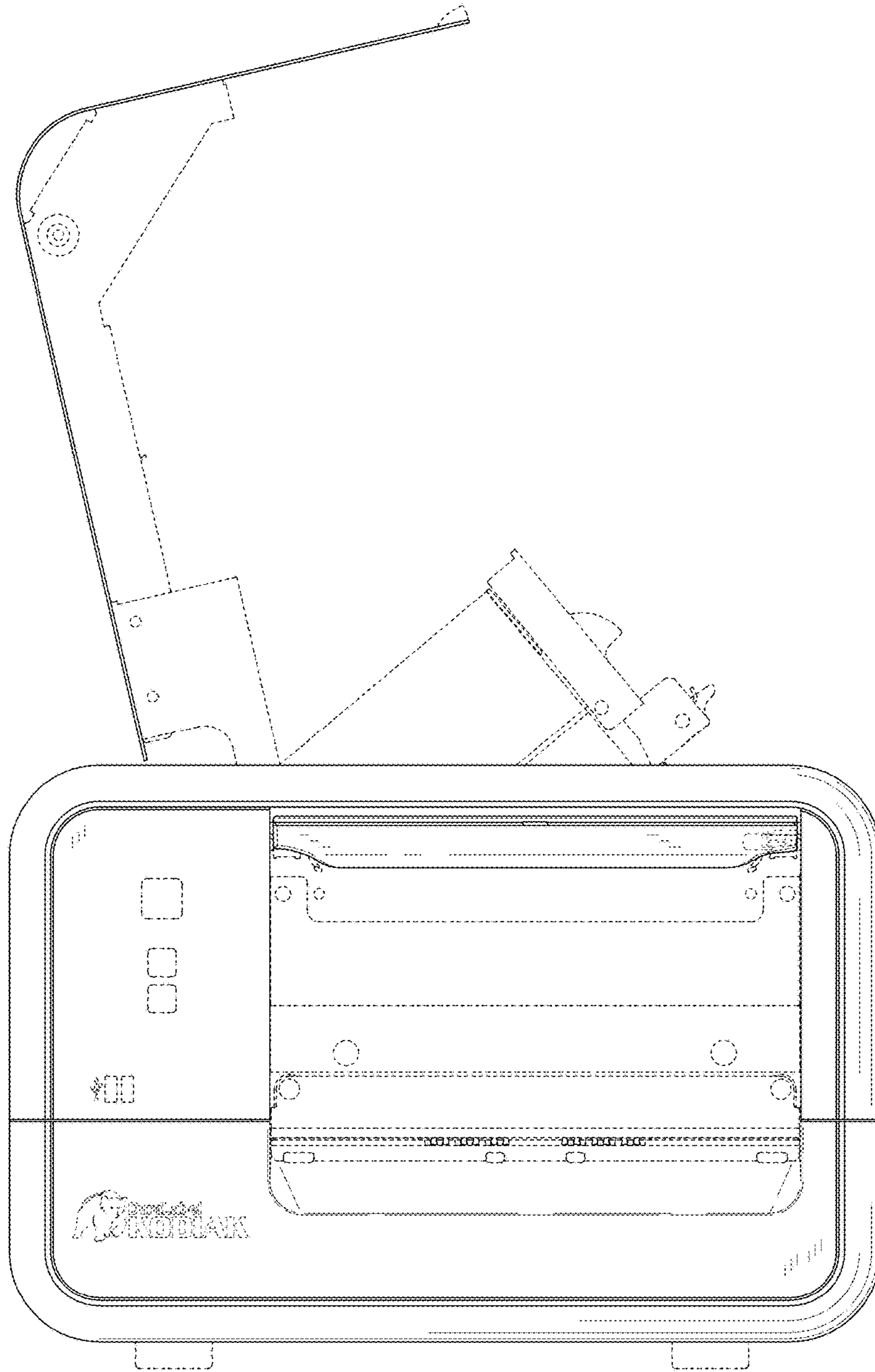


FIG. 9

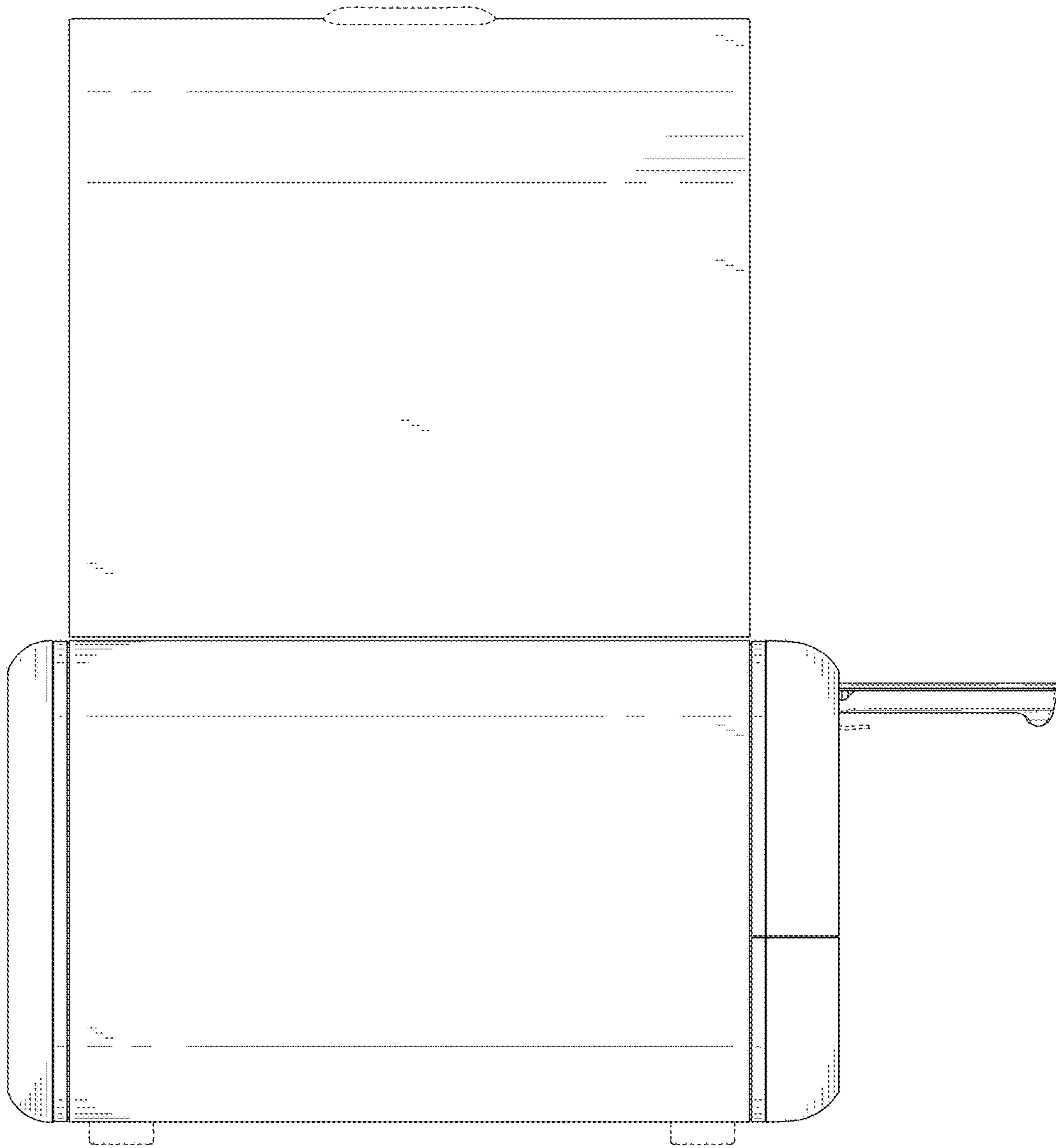


FIG. 10

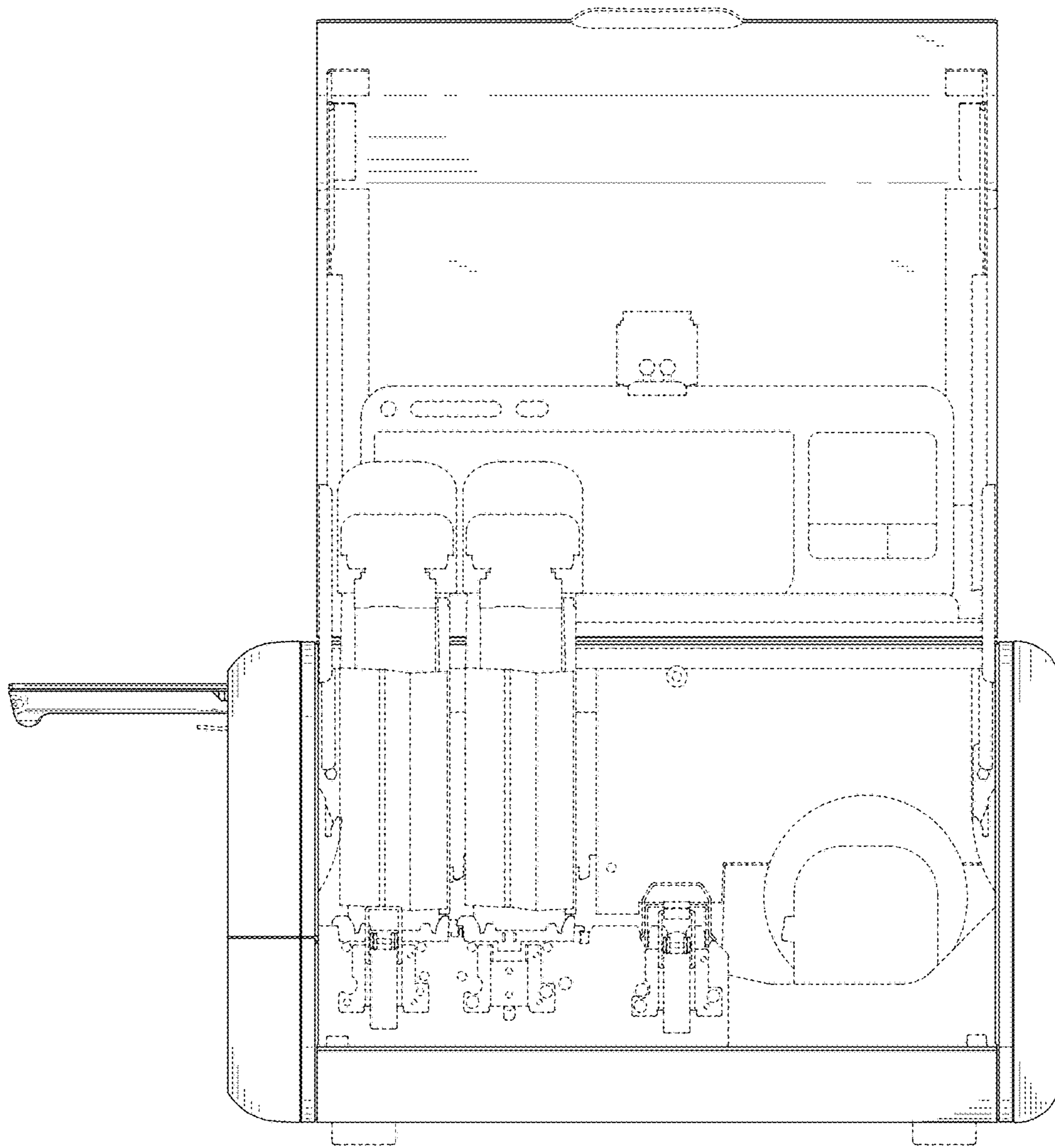


FIG. 11

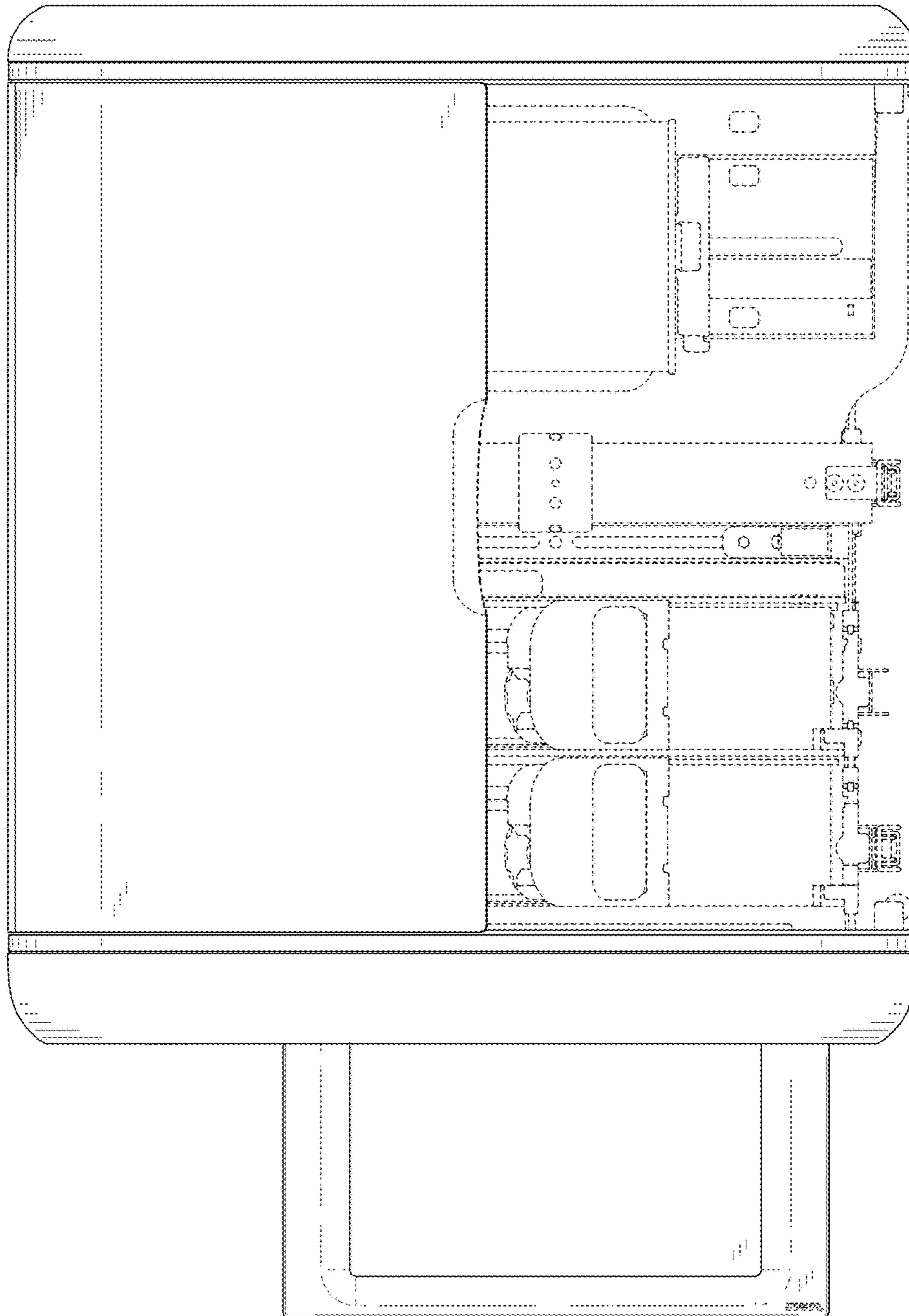


FIG. 12

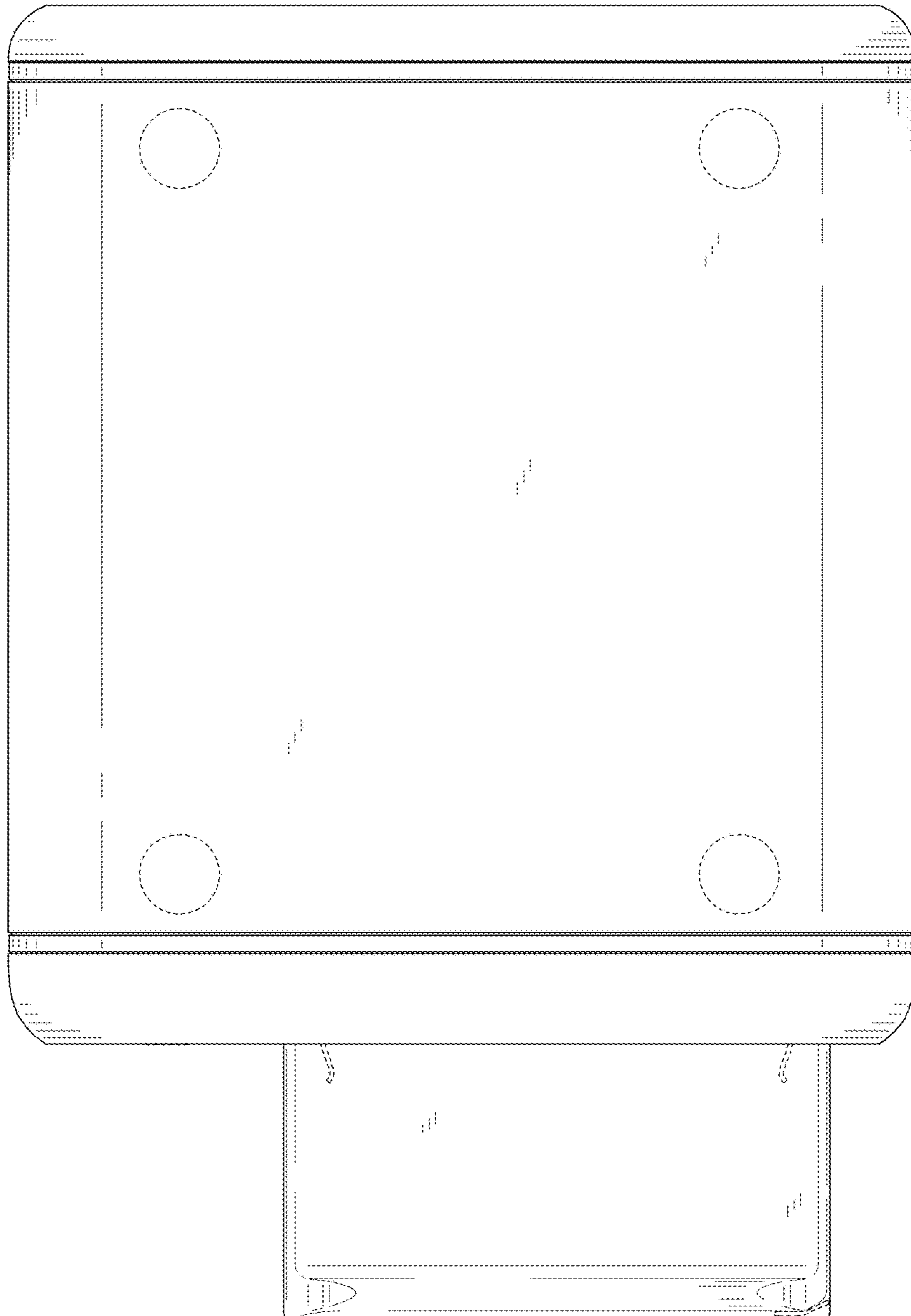


FIG. 13

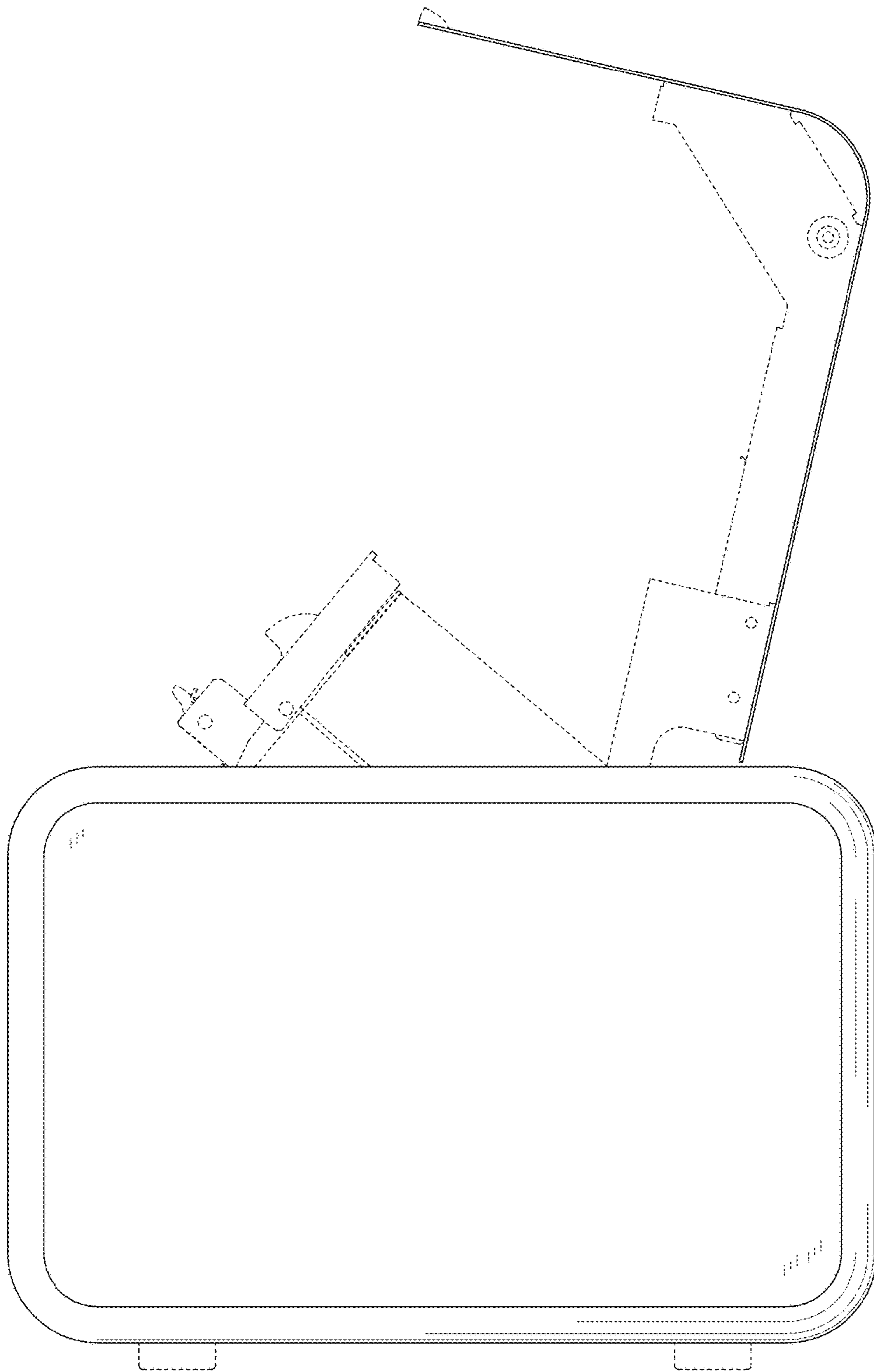


FIG. 14