



US00D859516S

(12) **United States Design Patent**
Wang et al.

(10) **Patent No.:** **US D859,516 S**
(45) **Date of Patent:** **** Sep. 10, 2019**

(54) **TERMINAL**
(71) Applicant: **Quanta Computer Inc.**, Taoyuan (TW)
(72) Inventors: **Hung-Tse Wang**, Taoyuan (TW);
Chang-Ta Miao, Taoyuan (TW);
Gwo-Chyuan Chen, Taoyuan (TW);
Yi-Chun Ma, Taoyuan (TW)
(73) Assignee: **QUANTA COMPUTER INC.**,
Guishan Dist., Taoyuan (TW)
(**) Term: **15 Years**
(21) Appl. No.: **29/637,241**

D622,692 S * 8/2010 McWilliam D14/138 G
D624,115 S * 9/2010 Ausems G06Q 20/0453
D18/4.6
D626,550 S * 11/2010 Julien D14/341
D638,012 S * 5/2011 Tian D14/341
D643,034 S * 8/2011 Tasselli D14/347
D659,565 S * 5/2012 Bowman D10/65
D672,386 S * 12/2012 Matunuma D18/4.6
D681,036 S * 4/2013 Taunay da Graca Couto
D14/385
D703,670 S * 4/2014 Rotsaert D14/307
D705,346 S * 5/2014 Blacken D18/14
D706,337 S * 6/2014 Blacken D18/14
D724,582 S * 3/2015 Kim D14/341
D754,650 S * 4/2016 Curtis D14/250

(Continued)

(22) Filed: **Feb. 15, 2018**
(30) **Foreign Application Priority Data**
Jan. 15, 2018 (TW) 107300261 A
(51) **LOC (12) Cl.** **18-01**
(52) **U.S. Cl.**
USPC **D18/4.6**
(58) **Field of Classification Search**
USPC ... D18/4.4, 4.5, 4.6, 2, 11, 4, 19-21, 50, 54,
D18/99; D14/338, 339, 341, 383, 385,
D14/386, 388, 426, 453-455, 496, 137,
D14/138 R, 138 G, 154, 168, 218, 248,
D14/299, 900, 901, 902; D10/46, 61, 62,
D10/70, 104.1, 104.2, 106.2, 106.6, 65,
D10/66; D20/1; D13/168
CPC H04W 8/22; H04W 52/0225; H04W
52/0254; G07F 7/088; G07F 7/0873;
G07F 7/0886; G07F 7/0893; G07F
7/1025; G07F 7/1041; G07G 1/0009;
G07G 1/0018; G06F 1/1626
See application file for complete search history.

FOREIGN PATENT DOCUMENTS

CN 207082665 U * 3/2018 H01R 13/46
Primary Examiner — Marie D. Fast Horse
(74) *Attorney, Agent, or Firm* — McClure, Qualey &
Rodack, LLP

(56) **References Cited**
U.S. PATENT DOCUMENTS
D273,788 S * 5/1984 Ault D14/455
D469,761 S * 2/2003 Nussberger D14/341

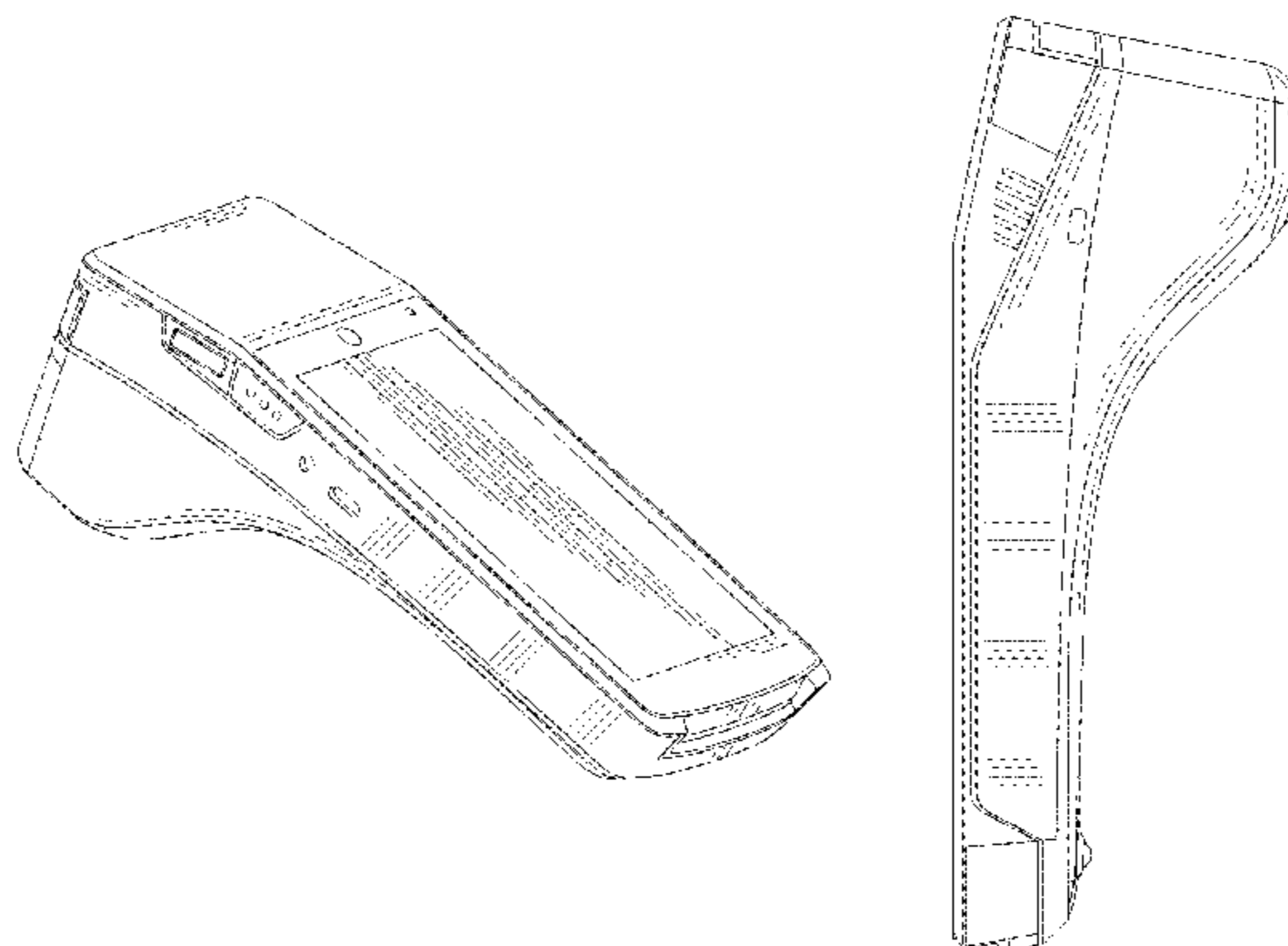
(57) **CLAIM**

The ornamental design for a terminal, as shown and described.

DESCRIPTION

FIG. 1 is a front perspective view of a terminal, in accordance with our new and ornamental design;
FIG. 2 is a front view thereof;
FIG. 3 is a rear view thereof;
FIG. 4 is a left side view thereof;
FIG. 5 is a right side view thereof;
FIG. 6 is a top plan view thereof;
FIG. 7 is a bottom plan view thereof; and,
FIG. 8 is a rear perspective view thereof.
The broken lines in the drawings depict portions of the terminal that form no part of the claimed design.

1 Claim, 7 Drawing Sheets



(56)

References Cited

U.S. PATENT DOCUMENTS

9,323,961 B2 * 4/2016 Azuma G06F 1/1626
D759,748 S * 6/2016 Beatty D18/14
D762,766 S * 8/2016 Bedier D18/4.4
D764,458 S * 8/2016 Jobetto D14/341
D771,033 S * 11/2016 Jobetto D14/341
D771,181 S * 11/2016 Jung D18/50
D788,106 S * 5/2017 Lin D14/356
D790,536 S * 6/2017 Kitade D14/341
D798,378 S * 9/2017 Kim D18/4.6
D806,158 S * 12/2017 Yaginuma D18/4.4
D813,228 S * 3/2018 Wall D14/341
2014/0347000 A1 * 11/2014 Hamann G06F 1/189
320/103
2015/0278557 A1 * 10/2015 Yasutomi G06F 21/86
361/679.3
2016/0335037 A1 * 11/2016 Baranowski B41J 3/36
2017/0061746 A1 * 3/2017 Tanaka G07G 1/0018
2018/0068300 A1 * 3/2018 Saeed G07G 1/0018
2018/0150838 A1 * 5/2018 Ausems G07F 7/0873

* cited by examiner

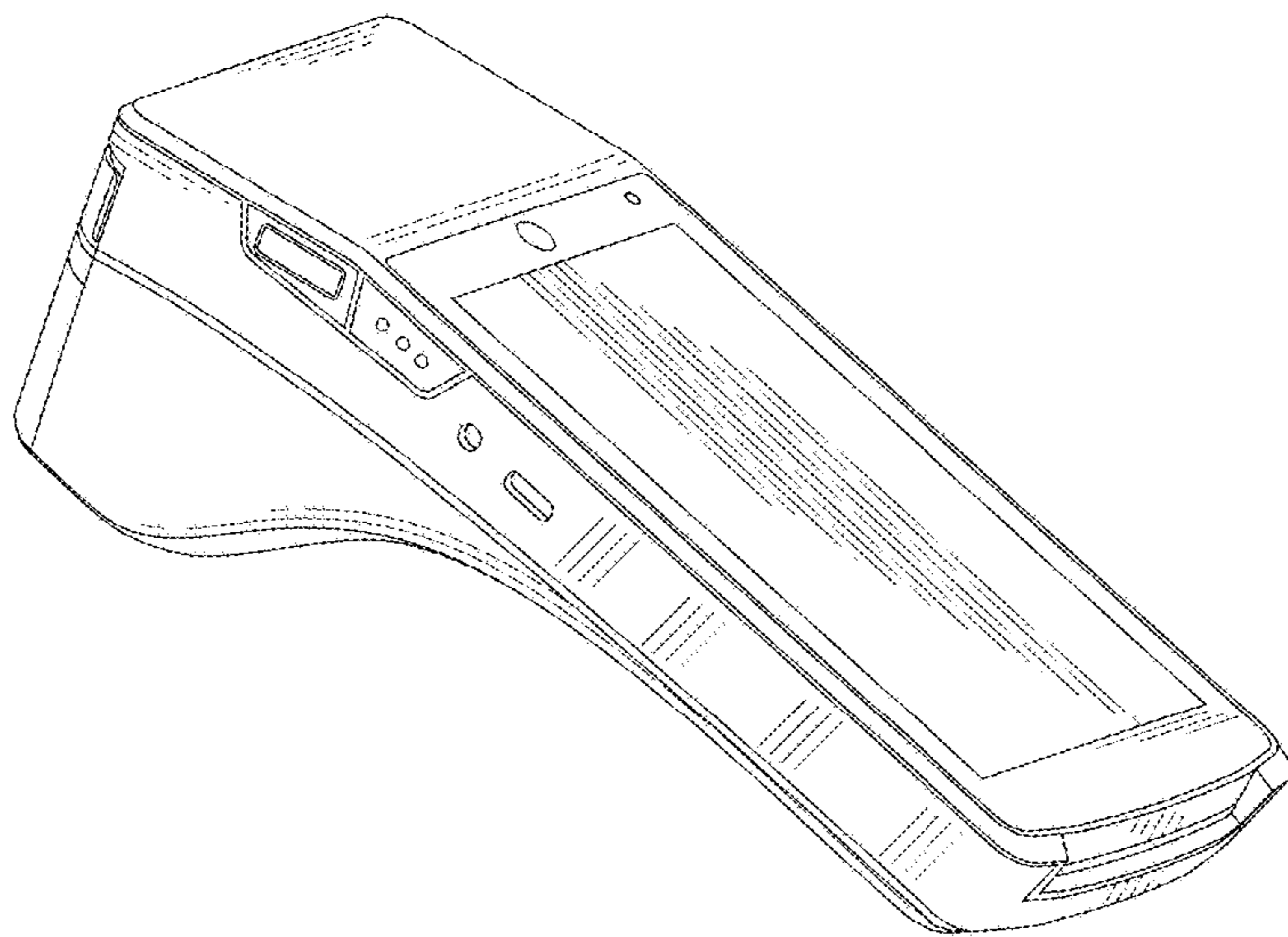


FIG. 1

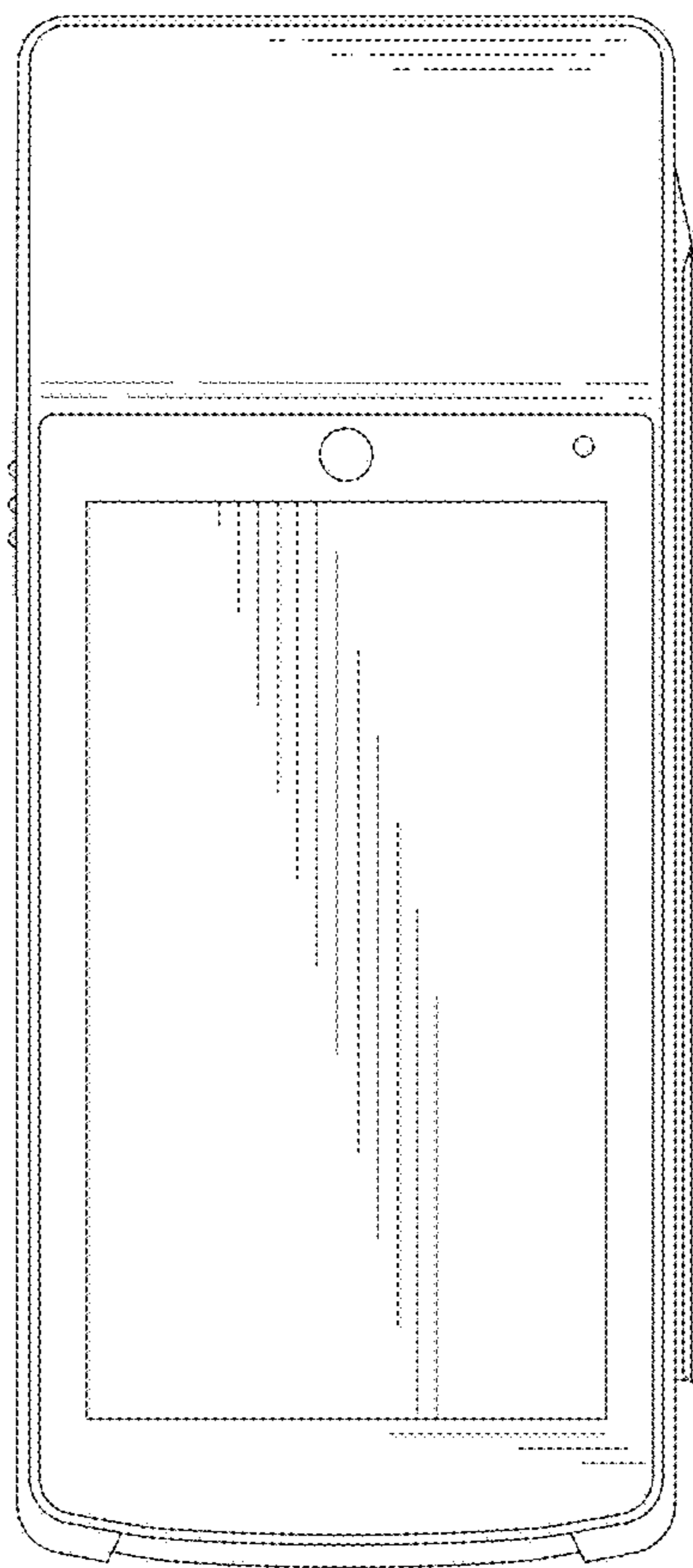


FIG. 2

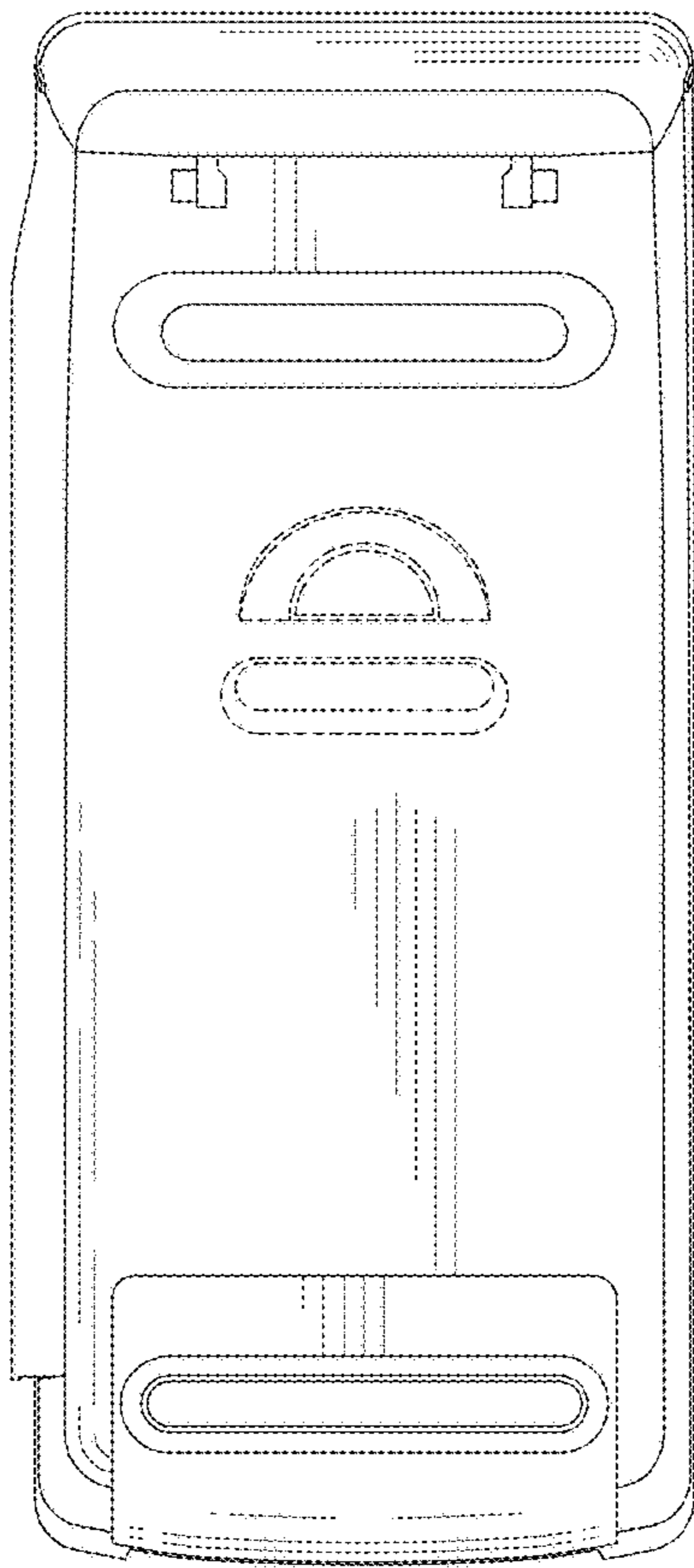


FIG. 3

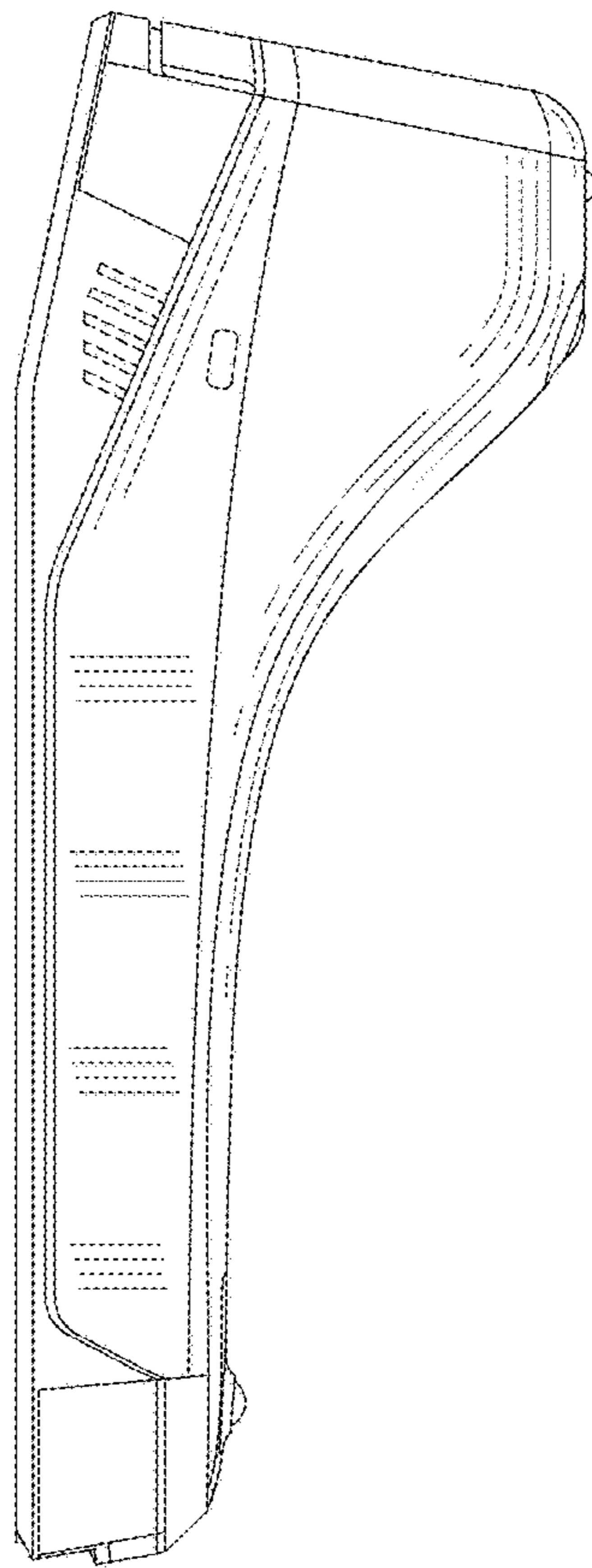


FIG. 5

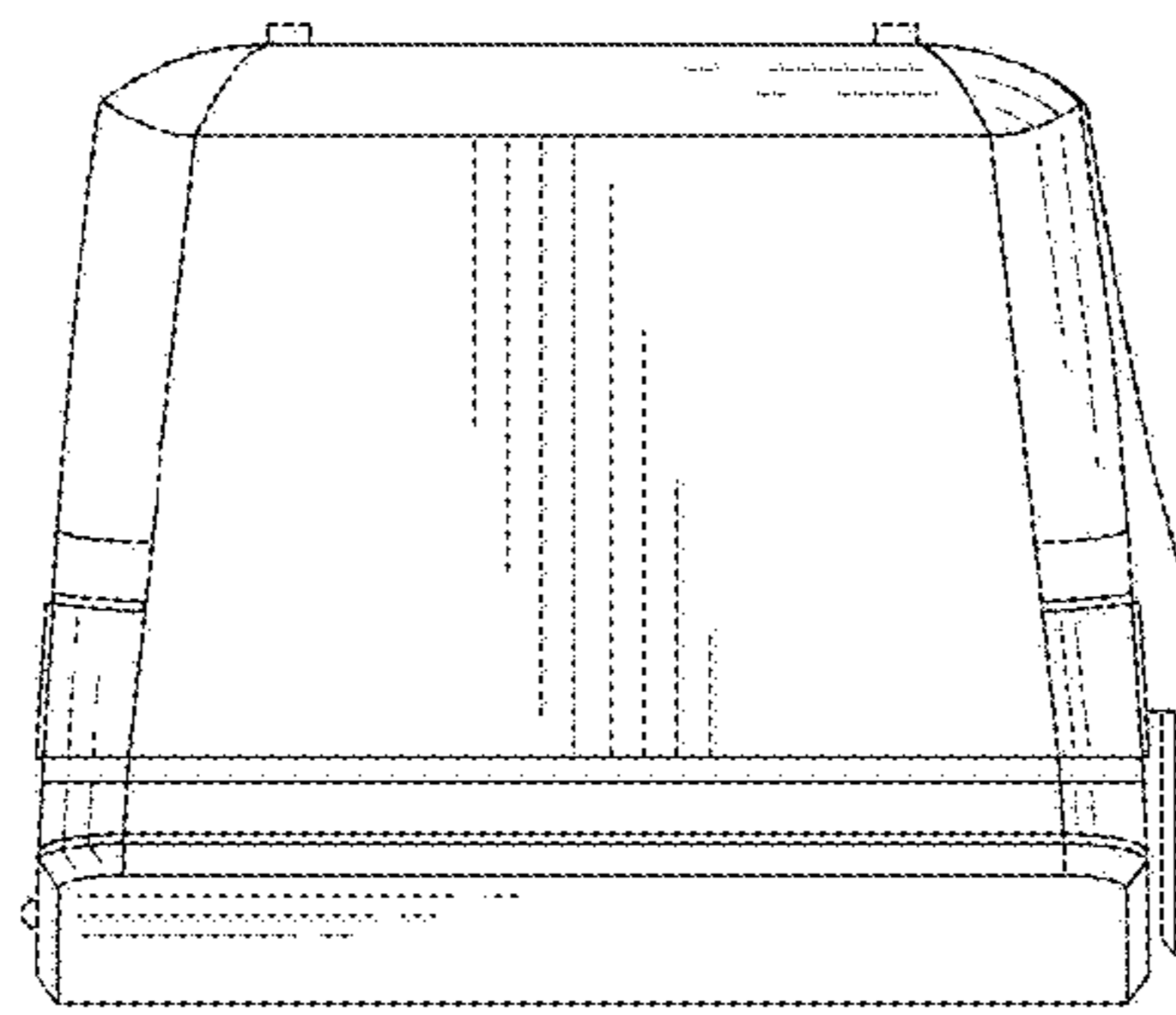


FIG. 6

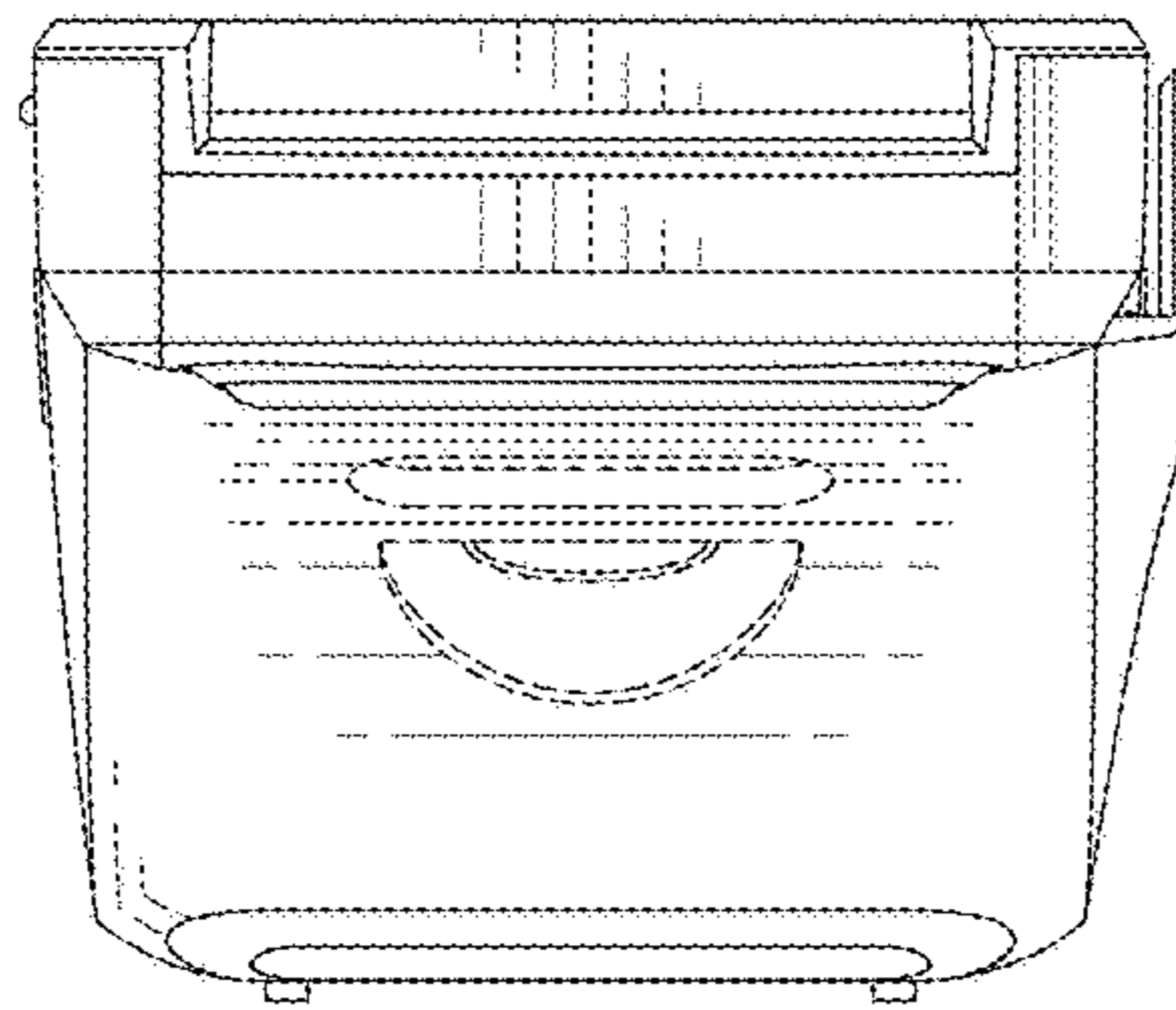


FIG. 7

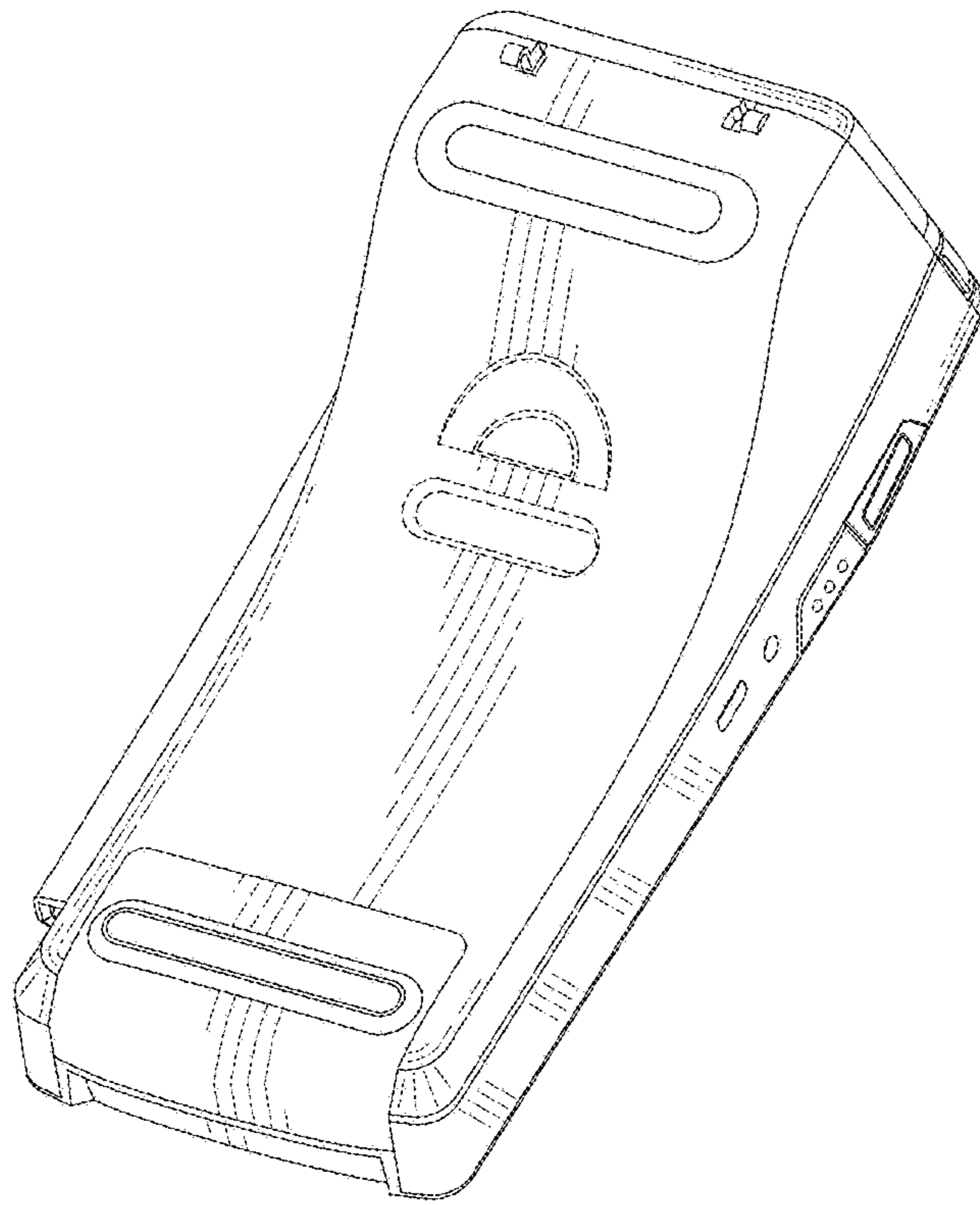


FIG. 8