



US00D859513S

(12) **United States Design Patent**
Huang

(10) **Patent No.:** **US D859,513 S**

(45) **Date of Patent:** **** Sep. 10, 2019**

(54) **EYEGLASS TEMPLE WITH A BLUETOOTH HEADSET**

(71) Applicant: **Wen-Tse Huang**, Kaohsiung (TW)

(72) Inventor: **Wen-Tse Huang**, Kaohsiung (TW)

(**) Term: **15 Years**

(21) Appl. No.: **29/545,086**

(22) Filed: **Nov. 10, 2015**

(51) **LOC (12) Cl.** **16-06**

(52) **U.S. Cl.**
USPC **D16/336**

(58) **Field of Classification Search**
USPC D16/101, 300–342, 900; D29/109–110;
D21/483, 659–661; D14/372; 351/41,
351/44, 45–48, 51–52, 62, 158, 92,
351/103–123, 140–153, 63, 59; 2/13, 15,
2/426–432, 447–449, 441, 434–437
CPC G02C 2200/08; G02C 1/06; G02C 5/14;
G02C 11/02; G02C 11/04; G02C 5/16;
G02C 2200/22; G02C 5/146; G02C
5/2254; G02C 5/008; G01C 5/16; A61M
2021/0044; A63B 33/002
See application file for complete search history.

(56) **References Cited**

U.S. PATENT DOCUMENTS

D97,957 S *	12/1935	Reynolds	D16/335
D237,903 S *	12/1975	Giannetti	D16/336
D318,283 S *	7/1991	Cleveland	D14/205
5,033,836 A *	7/1991	Aoyama	G02C 5/10 351/153
D389,853 S *	1/1998	Kosakowski	D16/330
5,892,564 A *	4/1999	Rahn	G02C 11/10 351/158
D450,744 S *	11/2001	Rhoades	D16/311
D462,708 S *	9/2002	Miller	D16/309
D462,981 S *	9/2002	Miller	D16/335

D463,480 S *	9/2002	Chen	D16/335
6,648,471 B1 *	11/2003	Dalrymple	G02C 5/143 351/111
6,690,807 B1 *	2/2004	Meyer	G02C 5/143 2/12
7,422,324 B2 *	9/2008	Lee	G02C 11/04 351/158
D602,604 S *	10/2009	Mitsui	D14/126
D605,218 S *	12/2009	Meng-Suen	D16/309
D607,565 S *	1/2010	McClure	D16/309
D611,086 S *	3/2010	Meng-Suen	D16/309
7,740,353 B2 *	6/2010	Jannard	A61B 5/1112 351/158

(Continued)

Primary Examiner — Eric L Goodman

Assistant Examiner — Sanjeev Paul

(74) *Attorney, Agent, or Firm* — Alan D. Kamrath; Mayer & Williams PC

(57) **CLAIM**

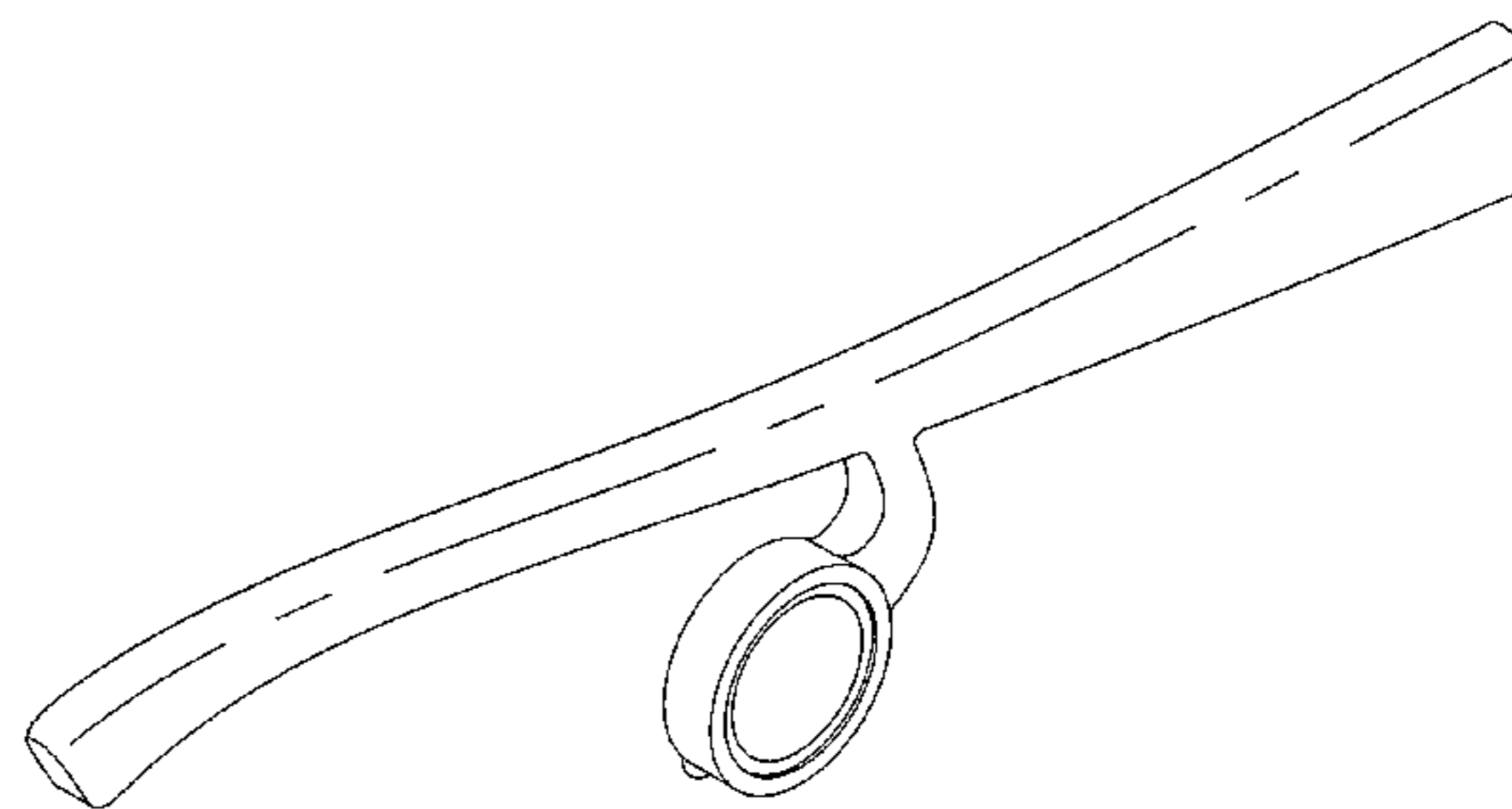
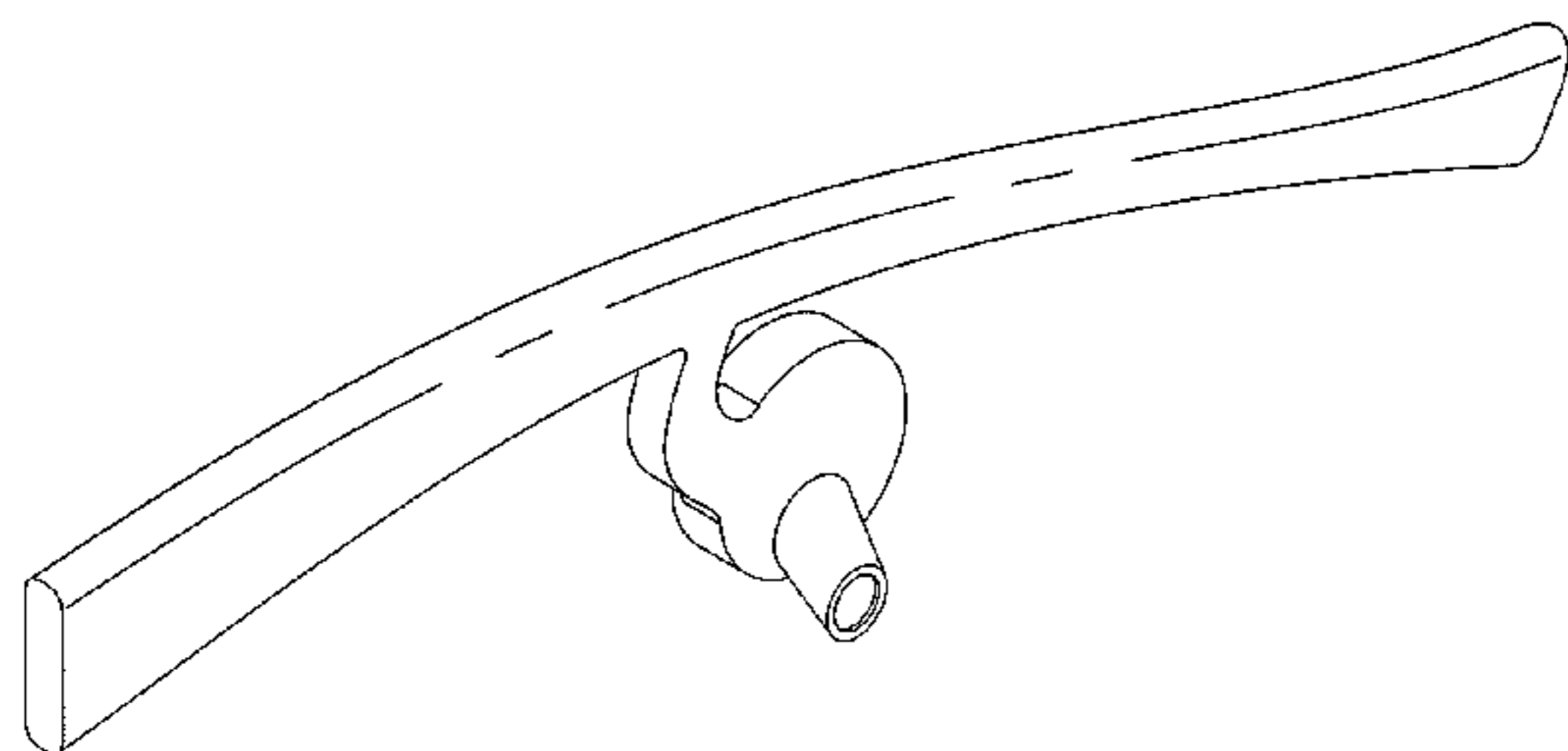
The ornamental design for an eyeglass temple with a bluetooth headset, as shown and described.

DESCRIPTION

FIG. 1 is a front perspective view of an eyeglass temple with a bluetooth headset showing my design; FIG. 2 is a rear perspective view thereof; FIG. 3 is a front elevational view thereof; FIG. 4 is a rear elevational view thereof; FIG. 5 is a left elevational view thereof; FIG. 6 is a right elevational view thereof; FIG. 7 is a top plan view thereof; FIG. 8 is a bottom plan view thereof; and, FIG. 9 is a perspective view of the eyeglass temple in accordance with my design, shown in its environment thereof.

The broken lines shown in FIG. 9 show environment for illustrative purposes only and form no part of the claimed design.

1 Claim, 7 Drawing Sheets



(56)

References Cited

U.S. PATENT DOCUMENTS

D636,009 S * 4/2011 Hunt D16/306
 D645,492 S * 9/2011 Zhao D16/309
 D645,493 S * 9/2011 Zhao D16/309
 D646,316 S * 10/2011 Zhao D16/309
 D682,924 S * 5/2013 Cheung D16/334
 D684,622 S * 6/2013 Cho D16/306
 D688,294 S * 8/2013 Roy D16/309
 D694,311 S * 11/2013 Cho D16/309
 D757,154 S * 5/2016 Muftic D16/309
 2006/0176442 A1* 8/2006 Lee G02C 11/04
 351/51
 2007/0200998 A1* 8/2007 Schrimmer G02C 11/04
 351/158
 2009/0213323 A1* 8/2009 Hermanson G02C 11/04
 351/158
 2010/0321630 A1* 12/2010 Sonsino G02C 11/04
 351/158
 2011/0234973 A1* 9/2011 Ye G02C 11/00
 351/158

2011/0273662 A1* 11/2011 Hwang G02B 27/0176
 351/158
 2013/0208235 A1* 8/2013 Sonsino G02C 7/14
 351/158
 2013/0222758 A1* 8/2013 He G02C 11/04
 351/158
 2014/0253866 A1* 9/2014 Carabajal G06F 3/011
 351/123
 2014/0340629 A1* 11/2014 Sadler G02C 11/12
 351/111
 2014/0368787 A1* 12/2014 Gottardi G02C 5/143
 351/158
 2015/0077696 A1* 3/2015 Tanaka G02C 11/00
 351/62
 2015/0248025 A1* 9/2015 Carrara G02C 3/003
 351/158
 2016/0048025 A1* 2/2016 Cazalet G02B 27/0176
 351/116
 2016/0054584 A1* 2/2016 Cabre Ozores B29D 12/02
 351/114
 2016/0091732 A1* 3/2016 Wang G02C 5/16
 351/114

* cited by examiner

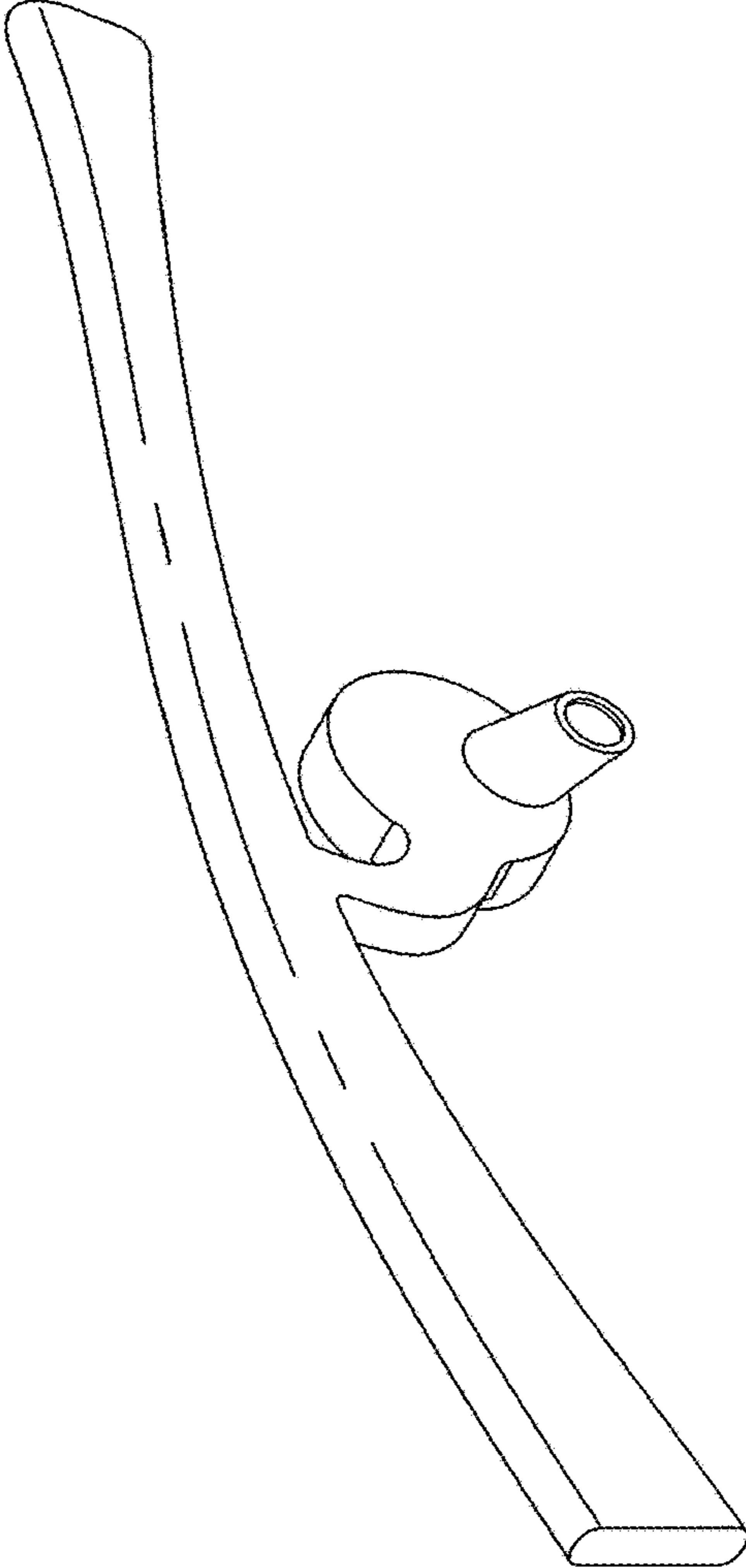


FIG.1

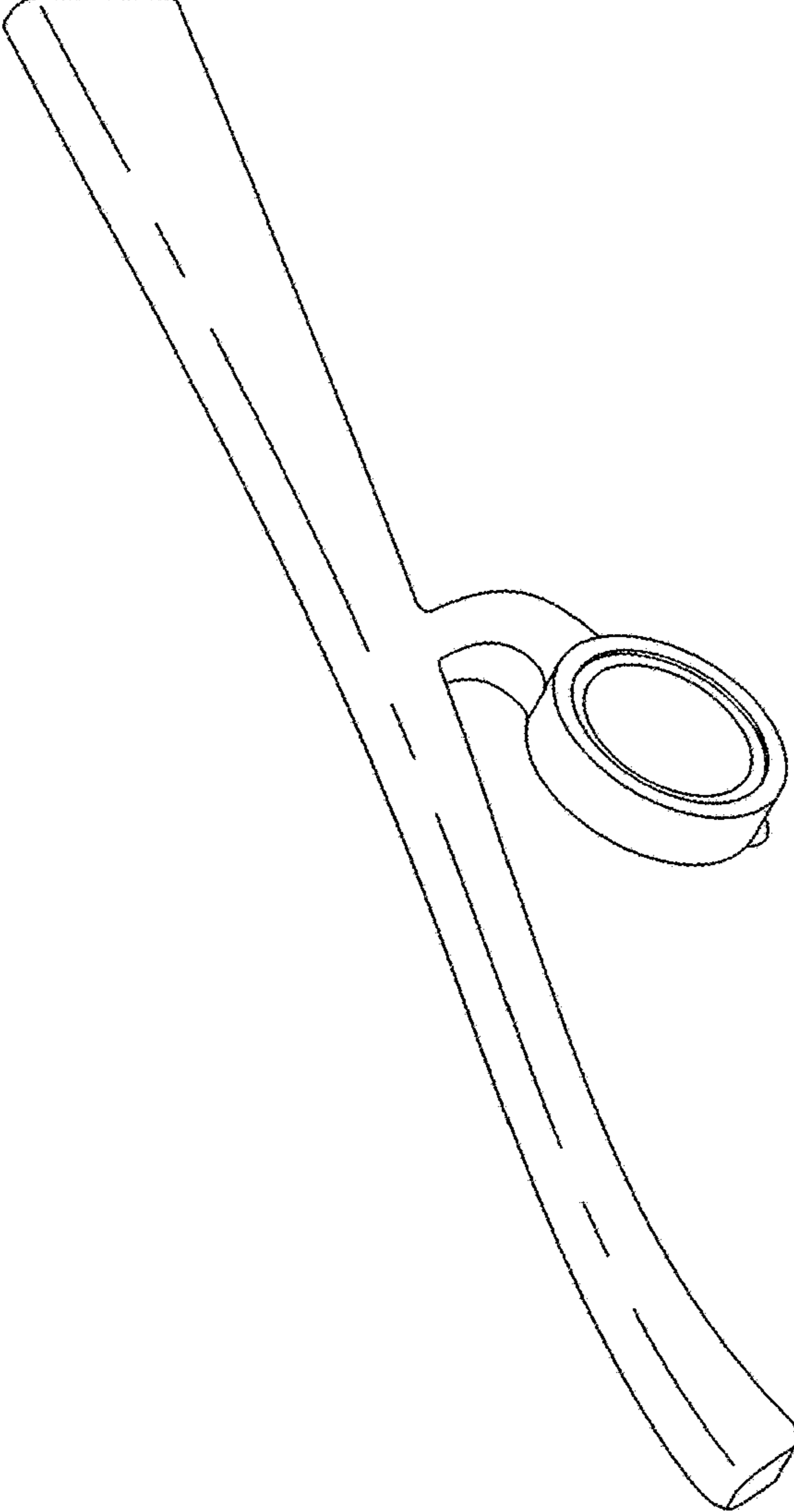


FIG.2

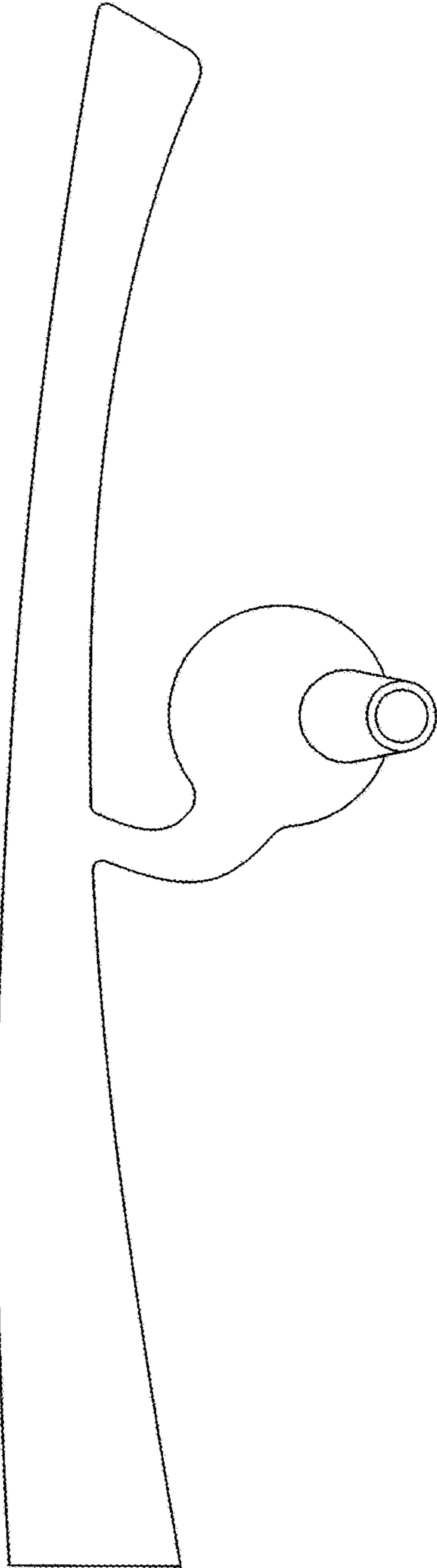


FIG.3

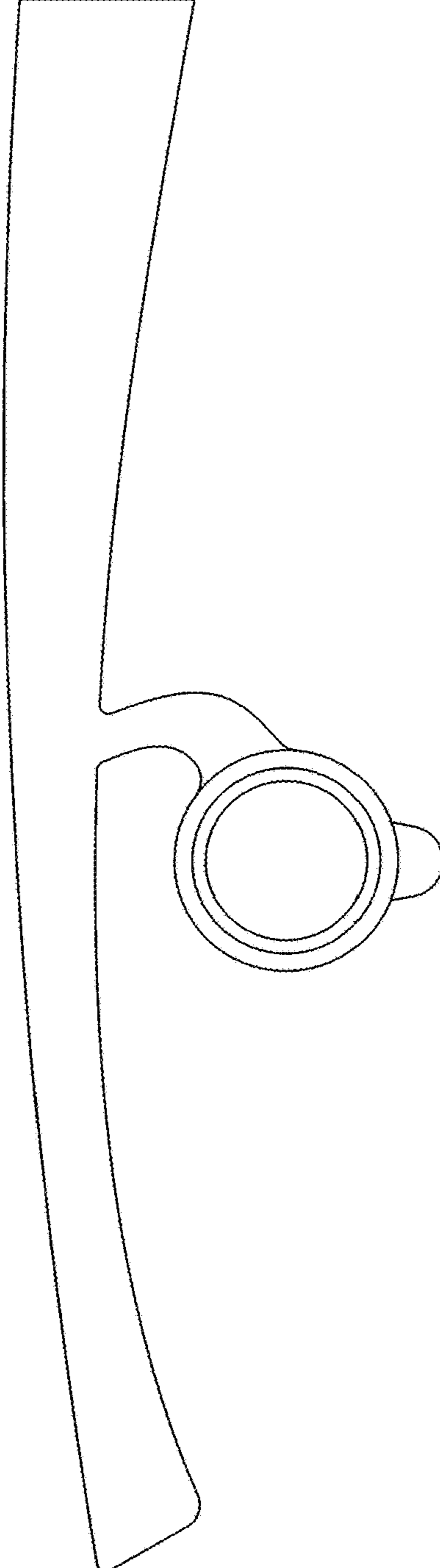


FIG.4

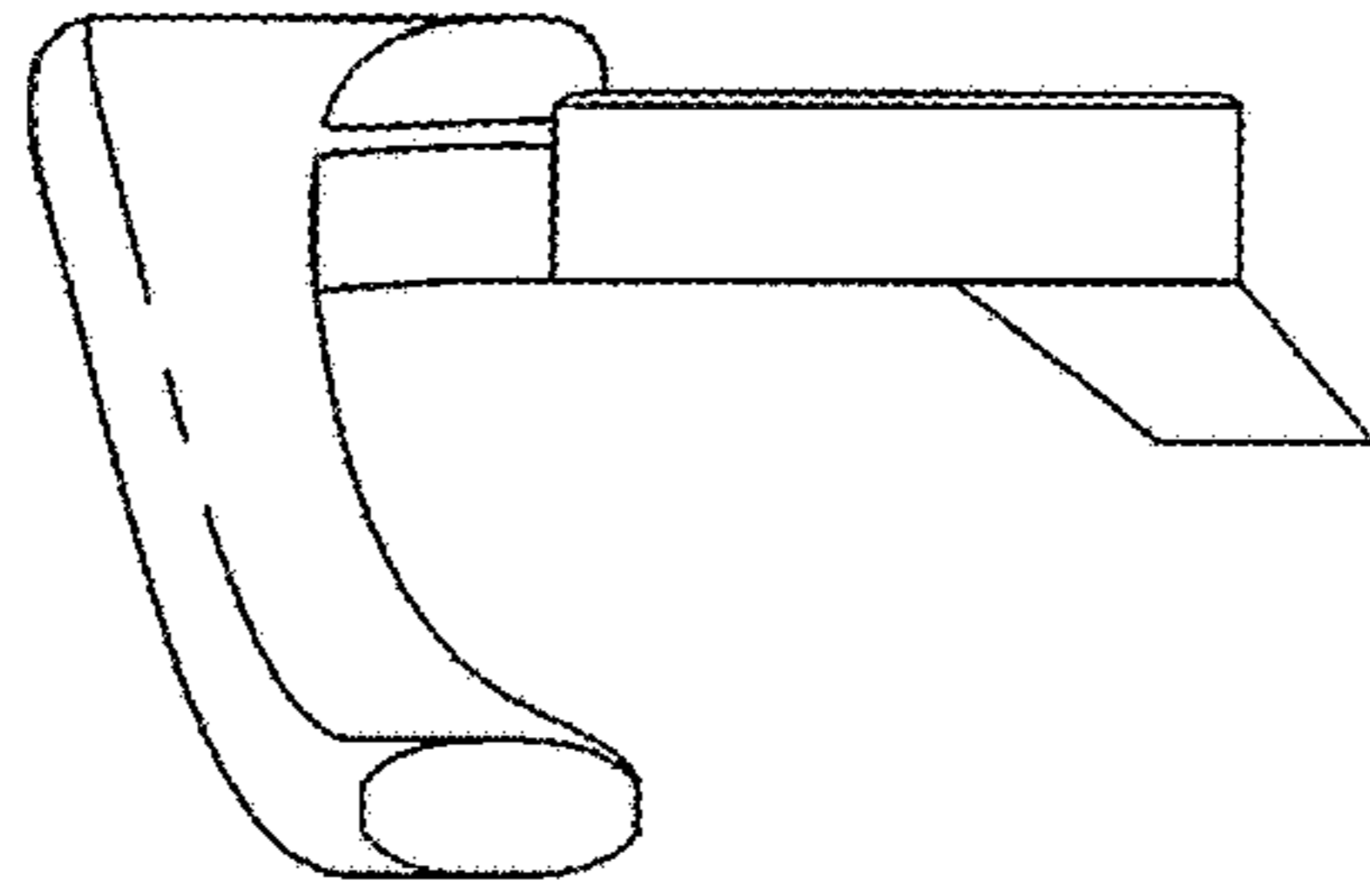


FIG.6

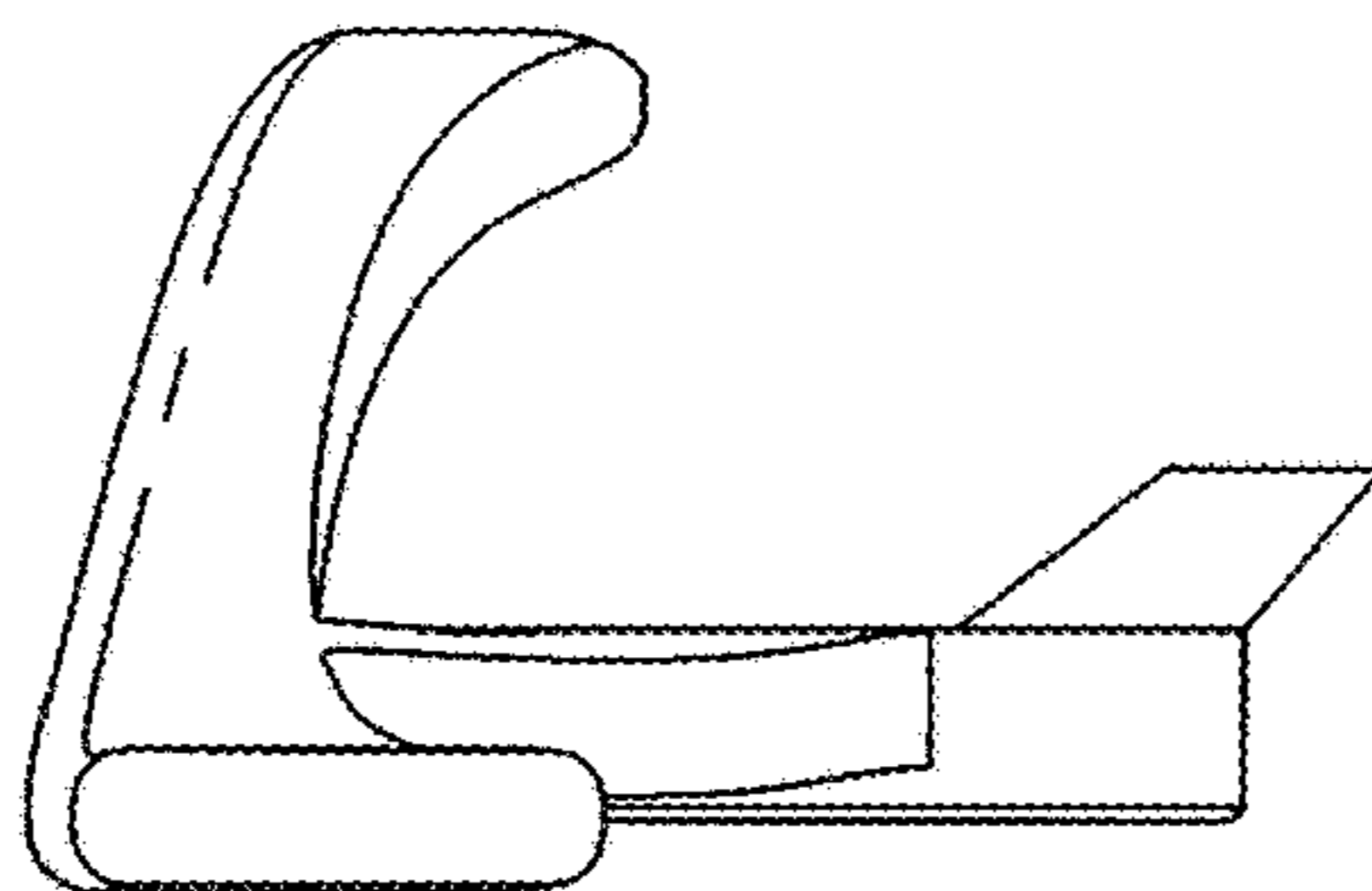


FIG.5

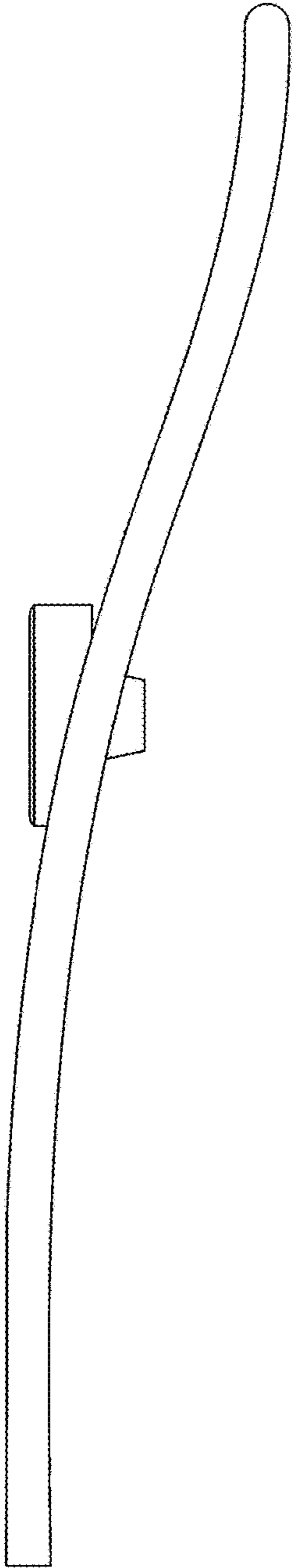


FIG. 7

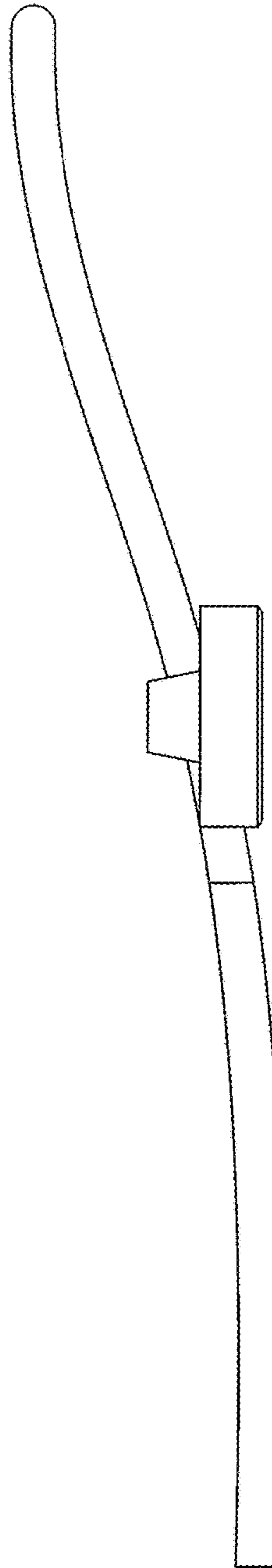


FIG. 8

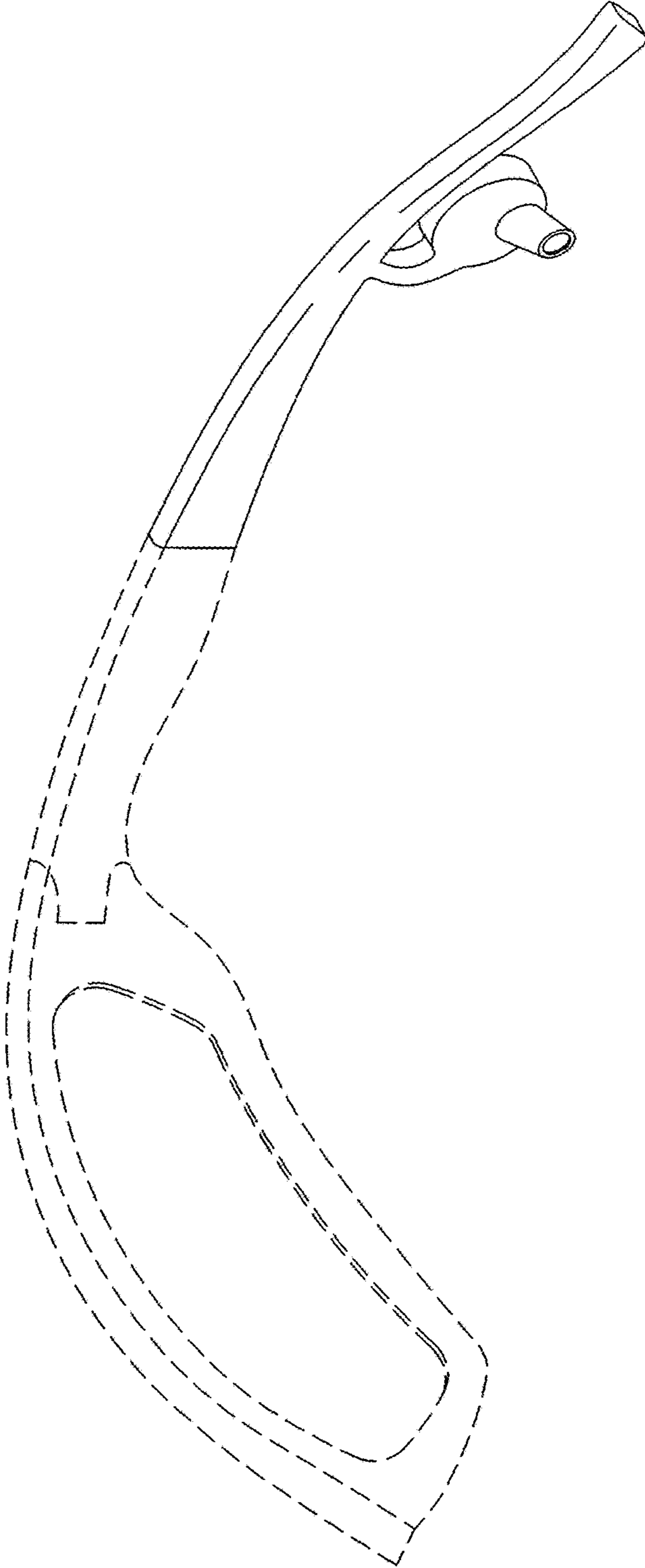


FIG.9