



US00D859507S

(12) **United States Design Patent** (10) **Patent No.:** **US D859,507 S**
Scholler et al. (45) **Date of Patent:** **** Sep. 10, 2019**

(54) **CAMERA ADAPTER**

(56) **References Cited**

- (71) Applicant: **Tangible Play, Inc.**, Palo Alto, CA (US)
- (72) Inventors: **Jerome Scholler**, San Francisco, CA (US); **Ariel Zekelman**, Palo Alto, CA (US); **Andrew Berwald**, Palo Alto, CA (US); **Mark Solomon**, Palo Alto, CA (US)
- (73) Assignee: **Tangible Play, Inc.**, Palo Alto, CA (US)
- (**) Term: **15 Years**
- (21) Appl. No.: **29/670,115**
- (22) Filed: **Nov. 13, 2018**

U.S. PATENT DOCUMENTS

D310,185 S	8/1990	Tick	
D351,890 S	10/1994	Rasmusson	
D365,588 S	12/1995	Fernandez	
D409,895 S	5/1999	Schron et al.	
D476,555 S	7/2003	Niwa	
D535,869 S	1/2007	Brunsteter	
D545,183 S	6/2007	French et al.	
D563,452 S	3/2008	Tan et al.	
7,777,899 B1	8/2010	Hildreth	
D658,977 S	5/2012	Riddell et al.	
D659,527 S *	5/2012	Boucher-Gagne D8/395
8,274,535 B2	9/2012	Hildreth et al.	
D682,463 S	5/2013	Bernard	

(Continued)

Primary Examiner — Ramzi S Almatrahi
(74) *Attorney, Agent, or Firm* — Patent Law Works LLP

(57) **CLAIM**

The ornamental design for a camera adapter, as shown and described.

DESCRIPTION

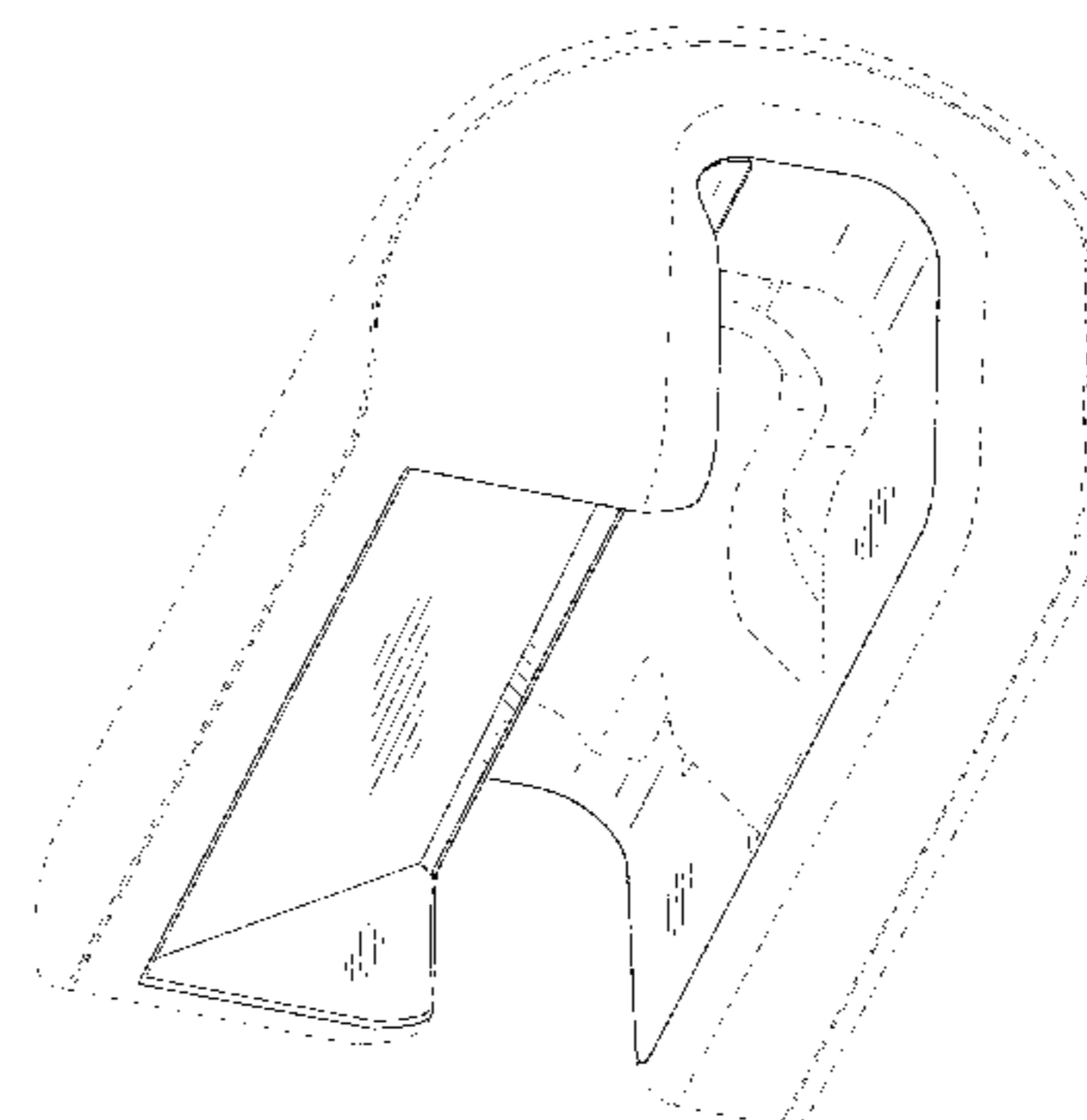
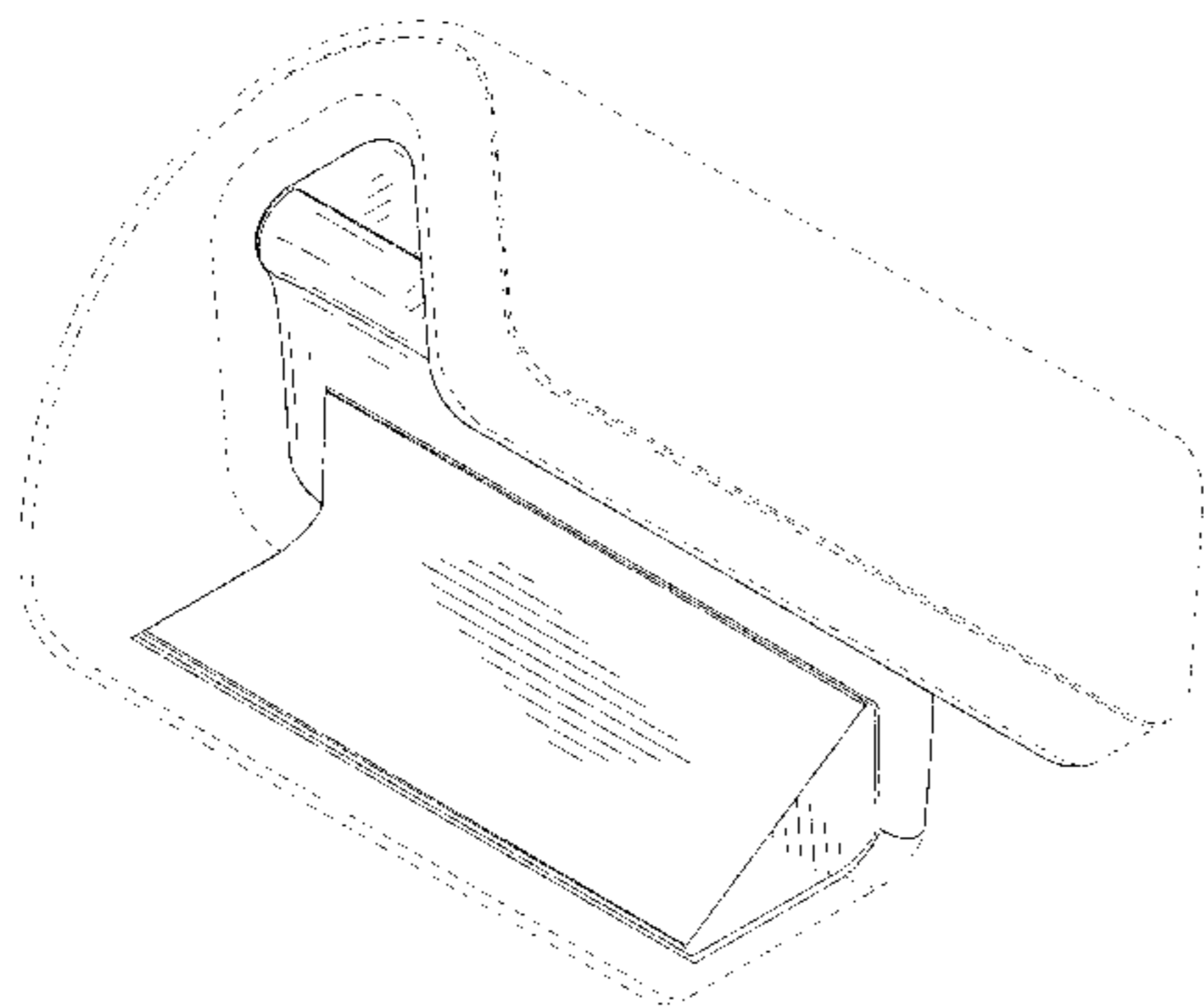
FIG. 1 is a top, front and left side perspective view of a camera adapter showing our new design;
 FIG. 2 is a bottom, rear and right side perspective view thereof;
 FIG. 3 is a bottom, front and right side perspective view thereof;
 FIG. 4 is a rear and left side perspective view thereof;
 FIG. 5 is a top plan view thereof;
 FIG. 6 is a bottom plan view thereof;
 FIG. 7 is a left side elevation view thereof, the right side elevation view being a mirror image thereof;
 FIG. 8 is a front elevation view thereof; and,
 FIG. 9 is a rear elevation view thereof.

The broken lines depict portions of the camera adapter in which the design is embodied that form no part of the claimed design.

Related U.S. Application Data

- (63) Continuation of application No. 29/615,735, filed on Aug. 30, 2017, now Pat. No. Des. 833,509.
- (51) **LOC (12) Cl.** **16-05**
- (52) **U.S. Cl.**
USPC **D16/237**; D16/219
- (58) **Field of Classification Search**
USPC D16/134, 136, 200, 208, 213–219, 235, D16/237–245, 250; D14/203.4, 209, 217, D14/218, 224, 250–253, 345, 440, 449; D8/349, 363, 373, 382, 394; 348/143, 348/148, 151, 373–376
CPC G03B 17/02–17/04; G03B 17/14; G03B 17/56; G03B 17/561–568; G03B 21/20–2066; G03B 15/041–0436; G02B 7/02–04; G02B 7/14; H04N 5/2251–2554; F16M 11/02; F16M 11/20; F16M 11/40
See application file for complete search history.

1 Claim, 9 Drawing Sheets



(56)

References Cited

U.S. PATENT DOCUMENTS

D696,104	S	*	12/2013	Kampl	D8/394
8,624,932	B2		1/2014	Hildreth et al.	
D716,362	S		10/2014	Generotti	
D718,609	S	*	12/2014	O'Neill	D8/349
D726,804	S		4/2015	Voss	
9,158,389	B1		10/2015	Sharma et al.	
D756,210	S	*	5/2016	Downs	D8/395
D757,215	S	*	5/2016	Gehrung	D23/226
9,354,716	B1		5/2016	Sharma et al.	
D770,556	S	*	11/2016	Sharma	D16/237
D794,698	S	*	8/2017	Gal	D16/237
D815,939	S	*	4/2018	Geiger	D8/382
D819,434	S	*	6/2018	Sonneman	D8/394
D827,405	S	*	9/2018	Chun	D8/72
D832,495	S	*	10/2018	Antony	D26/140
D835,825	S	*	12/2018	Koerth	D26/60
D835,826	S	*	12/2018	Koerth	D26/60
2011/0298724	A1		12/2011	Ameling et al.	

* cited by examiner

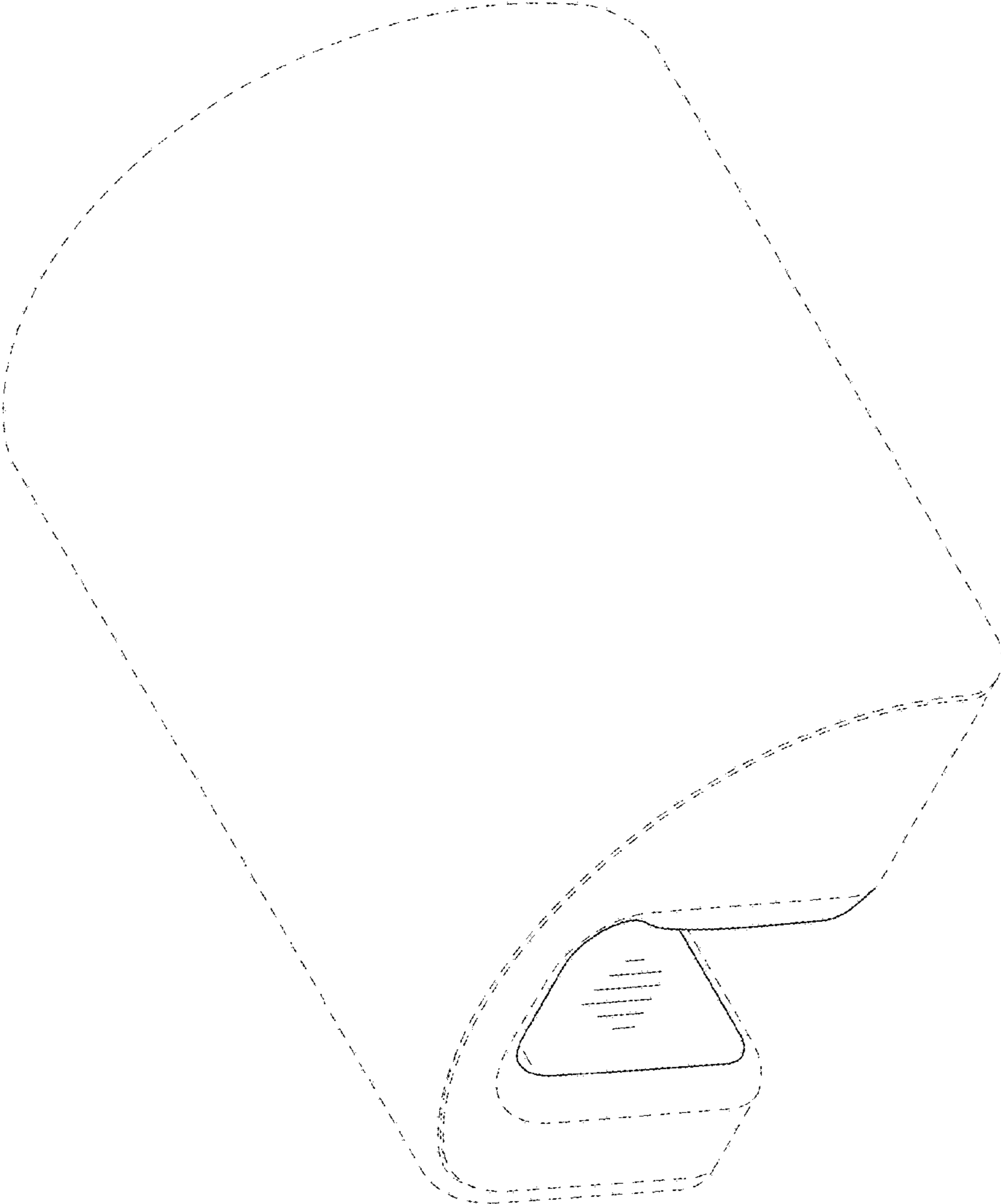


FIG. 1

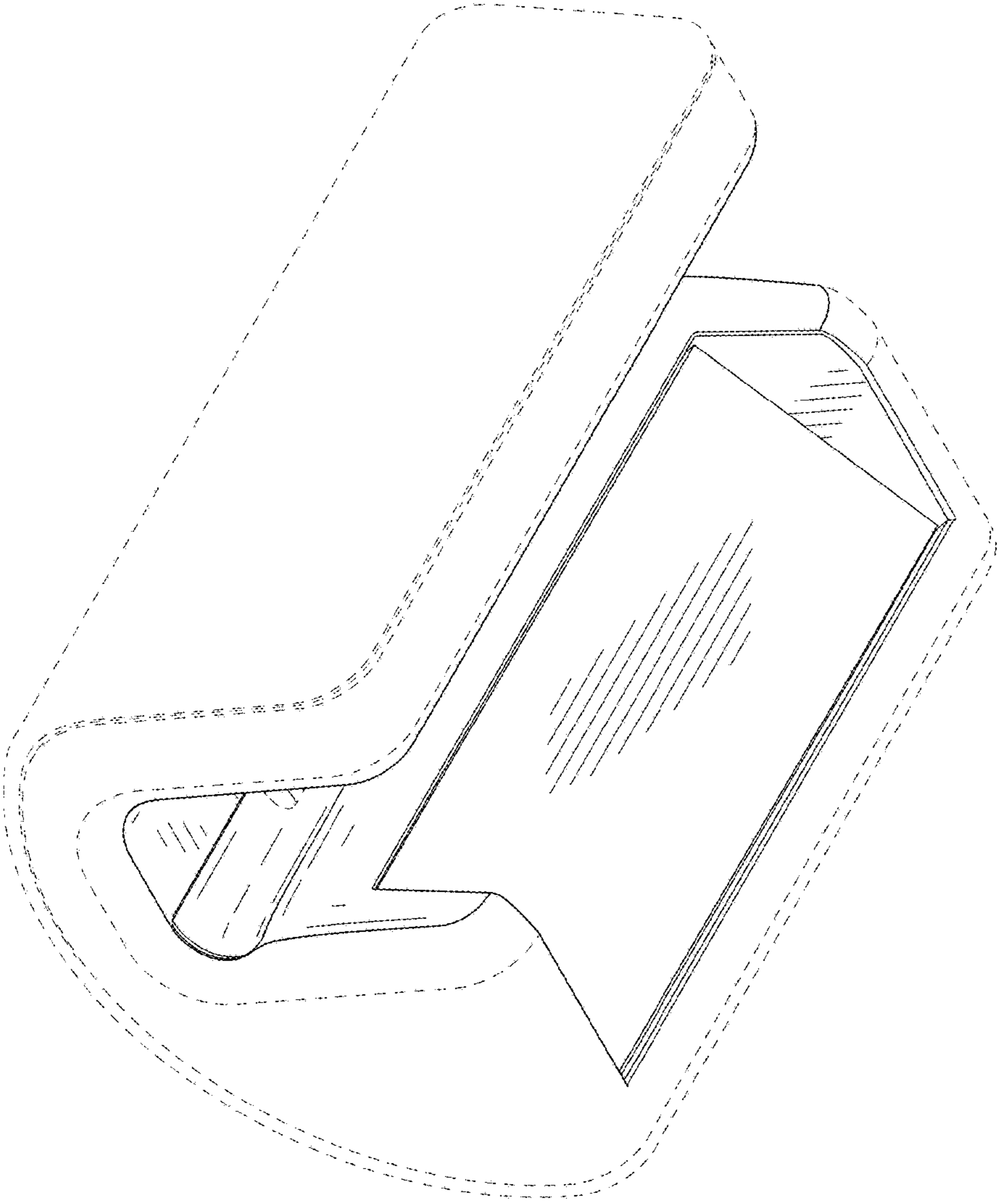


FIG. 2

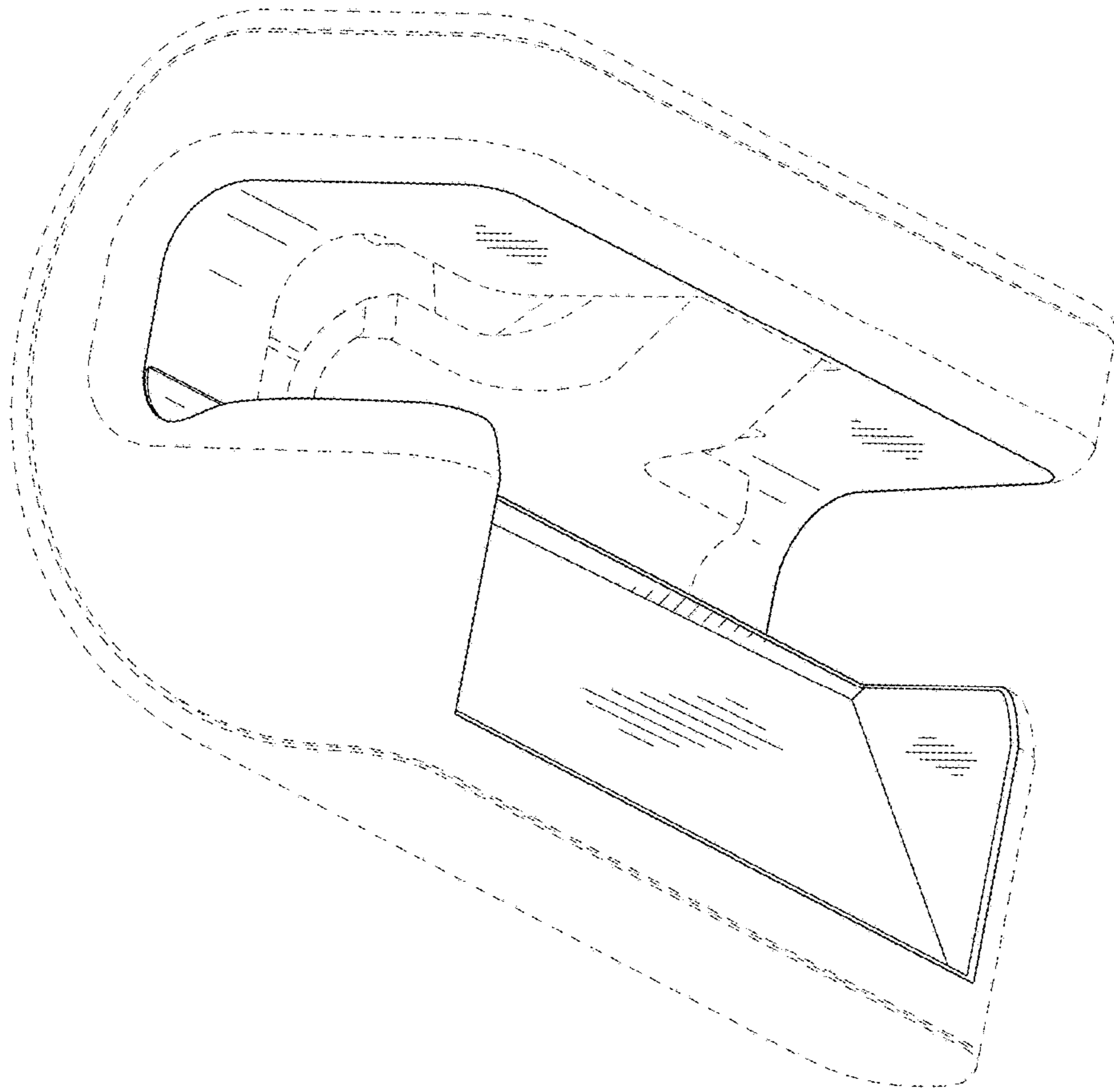


FIG. 3

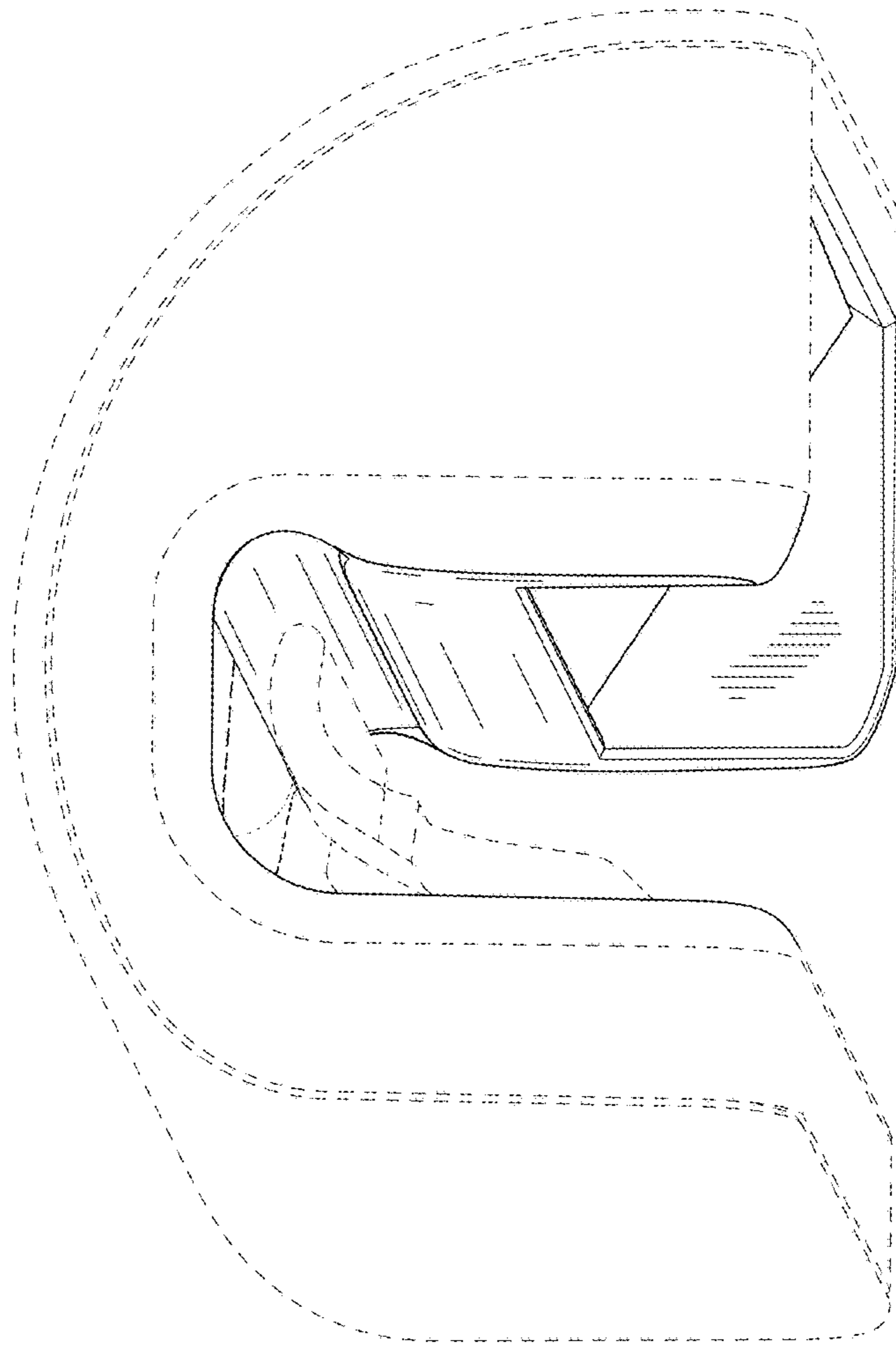


FIG. 4



FIG. 5

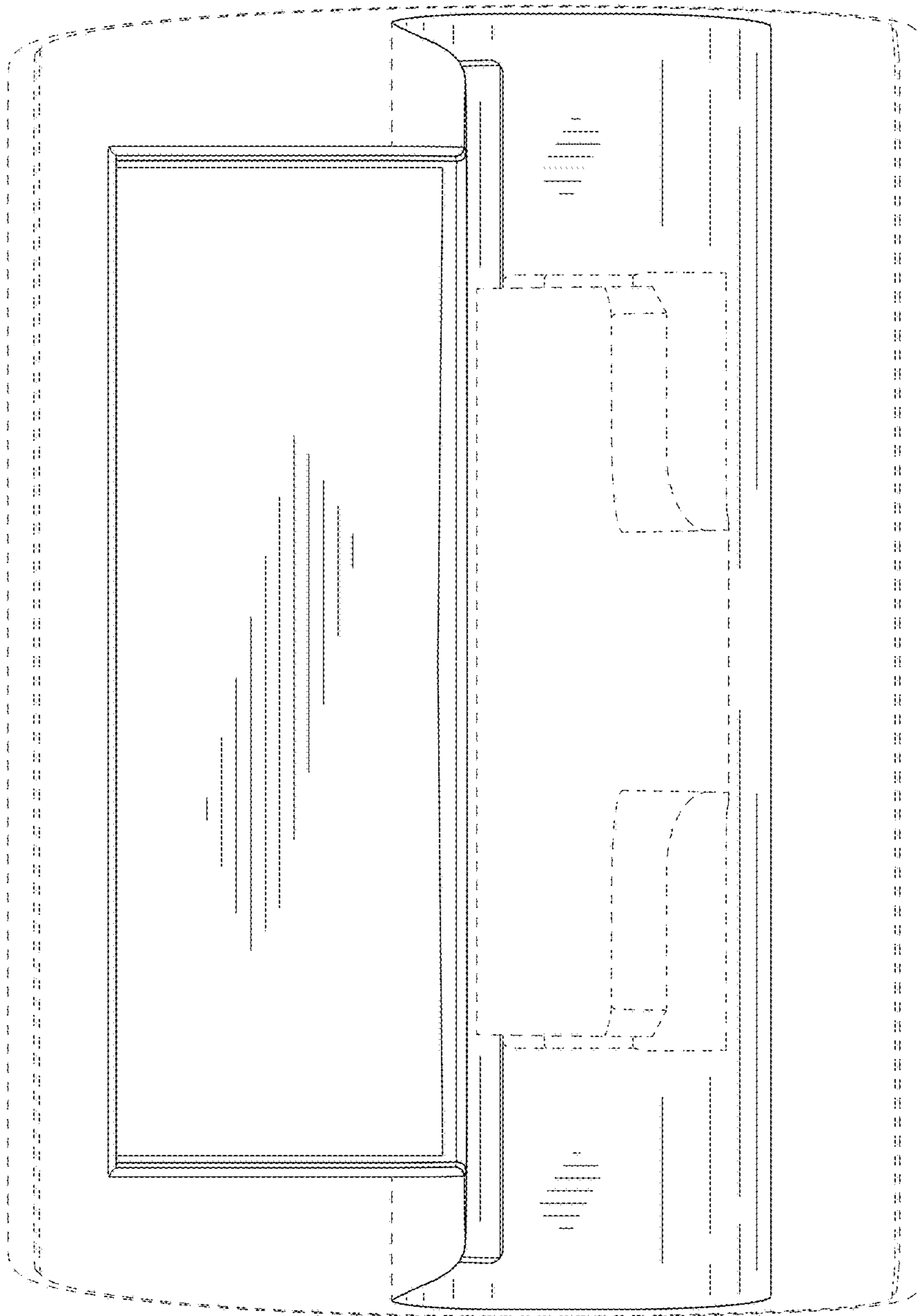


FIG. 6

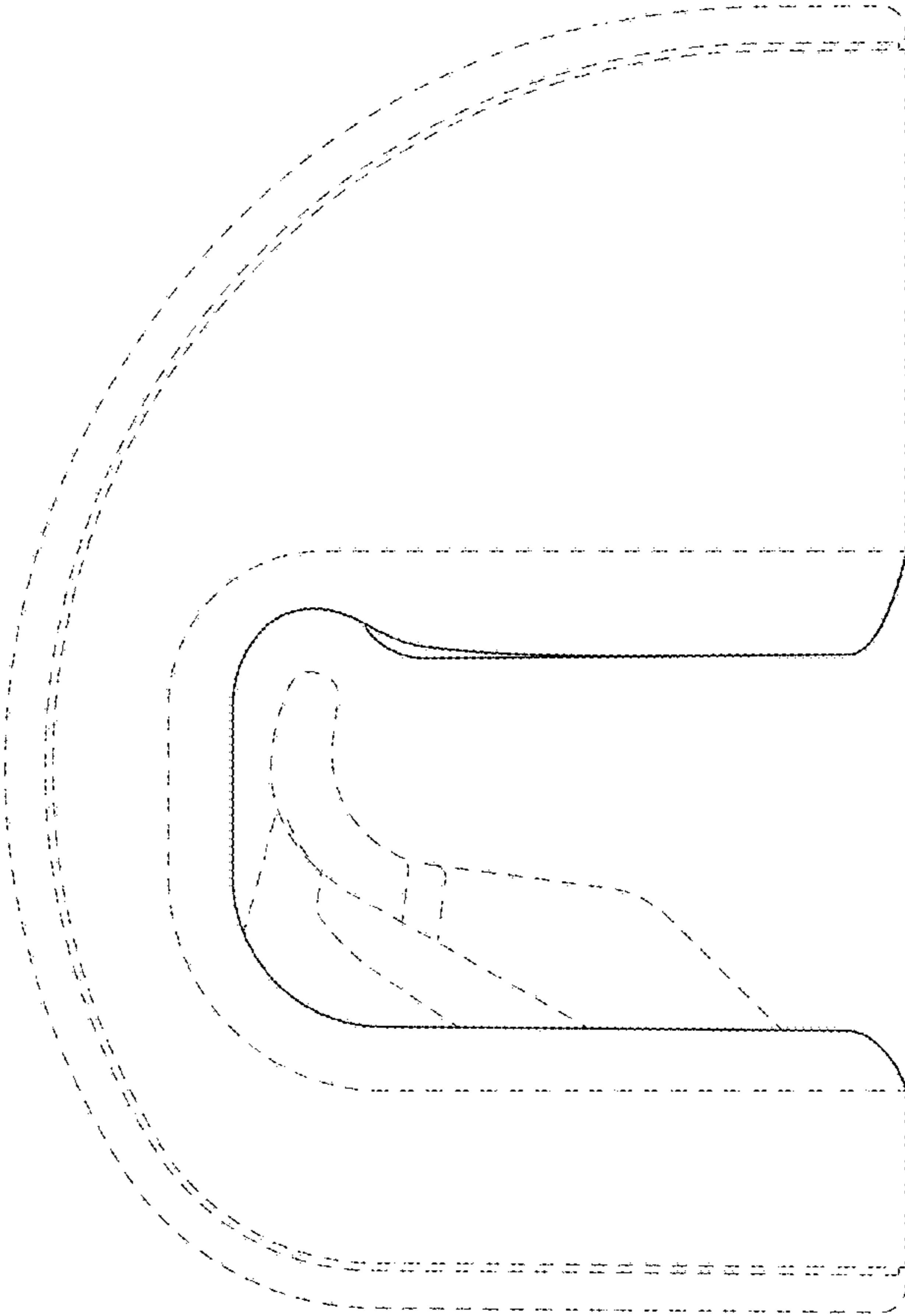


FIG. 7



FIG. 8

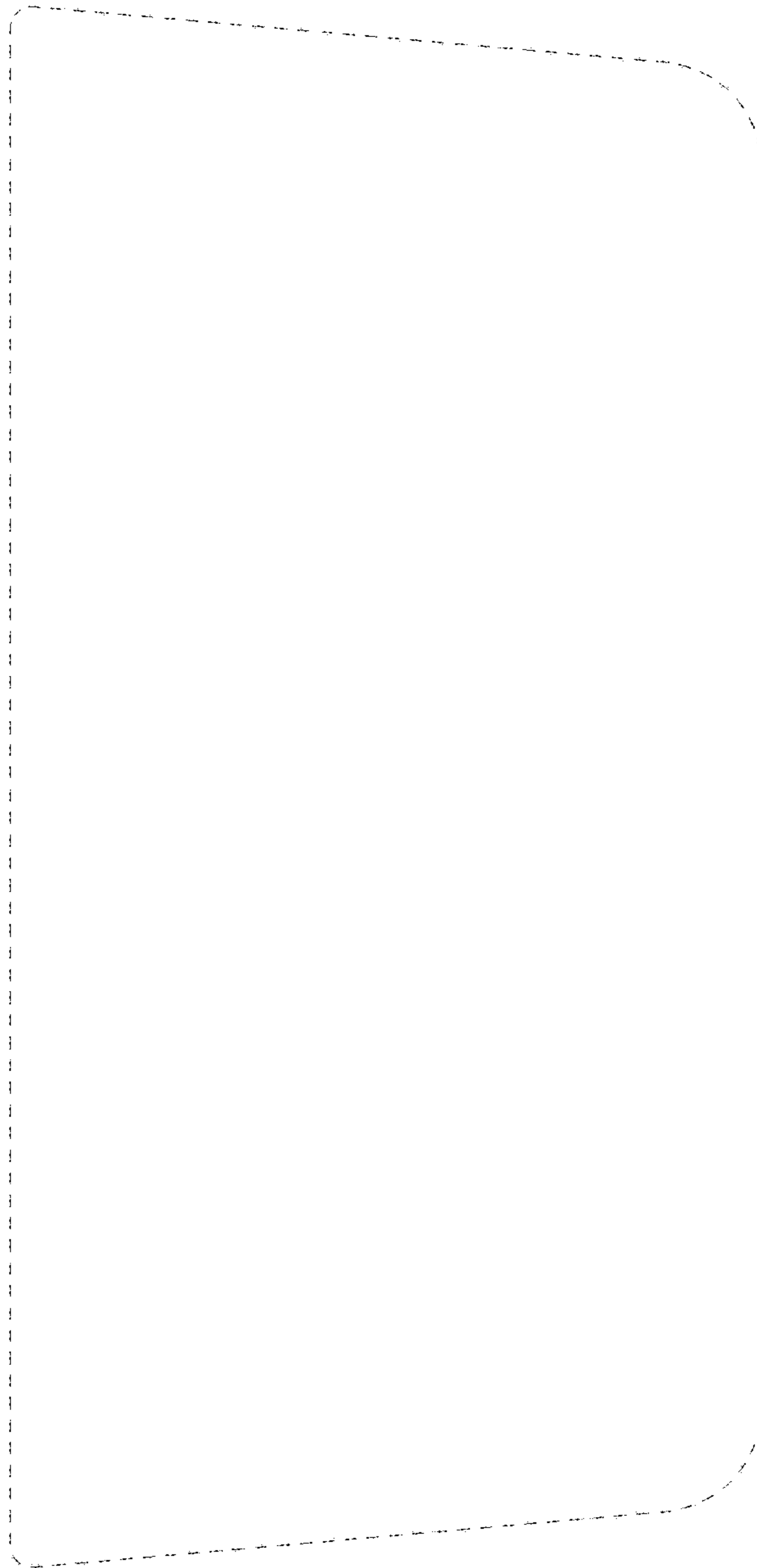


FIG. 9